



US00D494567S1

(12) **United States Design Patent**  
**Borsboom**

(10) **Patent No.:** **US D494,567 S**

(45) **Date of Patent:** **\*\* Aug. 17, 2004**

(54) **SPEAKER**

(75) Inventor: **Antonious M. Borsboom**, Singapore  
(SG)

(73) Assignee: **Hannspree, Inc.**, Taipei (TW)

(\*\*) Term: **14 Years**

(21) Appl. No.: **29/196,792**

(22) Filed: **Jan. 5, 2004**

(30) **Foreign Application Priority Data**

Dec. 10, 2003 (TW) ..... 92307422

(51) **LOC (7) Cl.** ..... **14-01**

(52) **U.S. Cl.** ..... **D14/215; D14/216**

(58) **Field of Search** ..... D14/204, 207,  
D14/209-216, 356; 181/143-144, 147-148,  
150, 157, 198-199, 151, 153; 381/300-302,  
306, 333, 345, 361-364, 386-388

(56) **References Cited**

**U.S. PATENT DOCUMENTS**

D430,142 S	*	8/2000	Kuo et al.	.....	D14/216
D440,557 S	*	4/2001	Su	.....	D14/215
D466,887 S	*	12/2002	Lewis	.....	D14/216
D467,574 S	*	12/2002	Suzuki et al.	.....	D14/216

\* cited by examiner

*Primary Examiner*—Nanda Bondade  
(74) *Attorney, Agent, or Firm*—Thomas, Kayden,  
Horstemeyer & Risley

(57) **CLAIM**

The ornamental design for a speaker, as shown and described.

**DESCRIPTION**

FIG. 1 is a front perspective view of a speaker showing my new design;

FIG. 2 is a front elevational view thereof;

FIG. 3 is a rear elevational view thereof;

FIG. 4 is a left side elevational view thereof;

FIG. 5 is a right side elevational view thereof;

FIG. 6 is a top plan view thereof;

FIG. 7 is a bottom plan view thereof;

FIG. 8 is a front perspective view of a second embodiment of the speaker;

FIG. 9 is a front elevational view of the embodiment in FIG. 8 thereof;

FIG. 10 is a rear elevational view of the embodiment in FIG. 8 thereof;

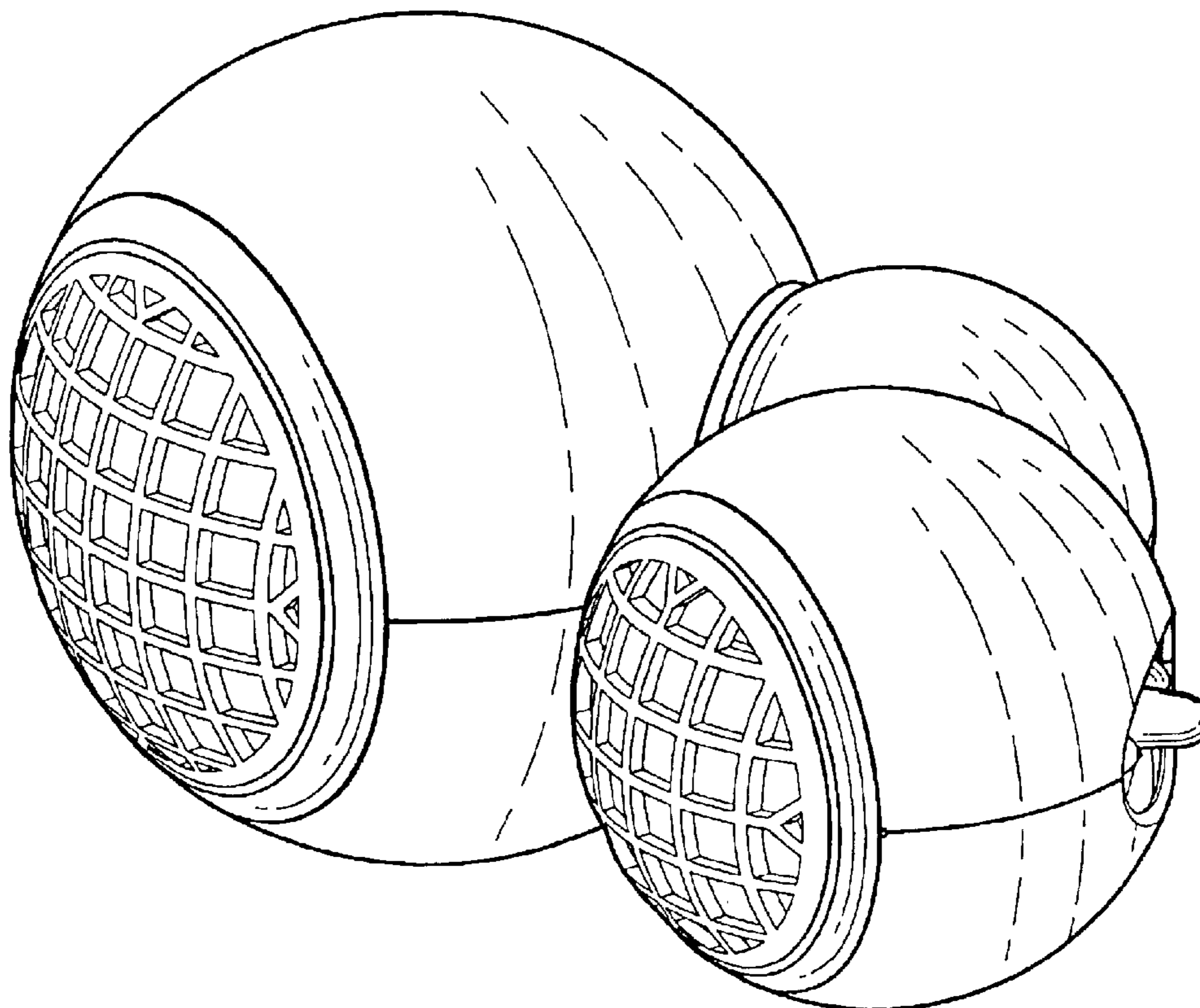
FIG. 11 is a left side elevational view of the embodiment in FIG. 8 thereof;

FIG. 12 is a right side elevational view of the embodiment in FIG. 8 thereof;

FIG. 13 is a top plan view of FIG. 8; and,

FIG. 14 is a bottom plan view of FIG. 8.

**1 Claim, 14 Drawing Sheets**



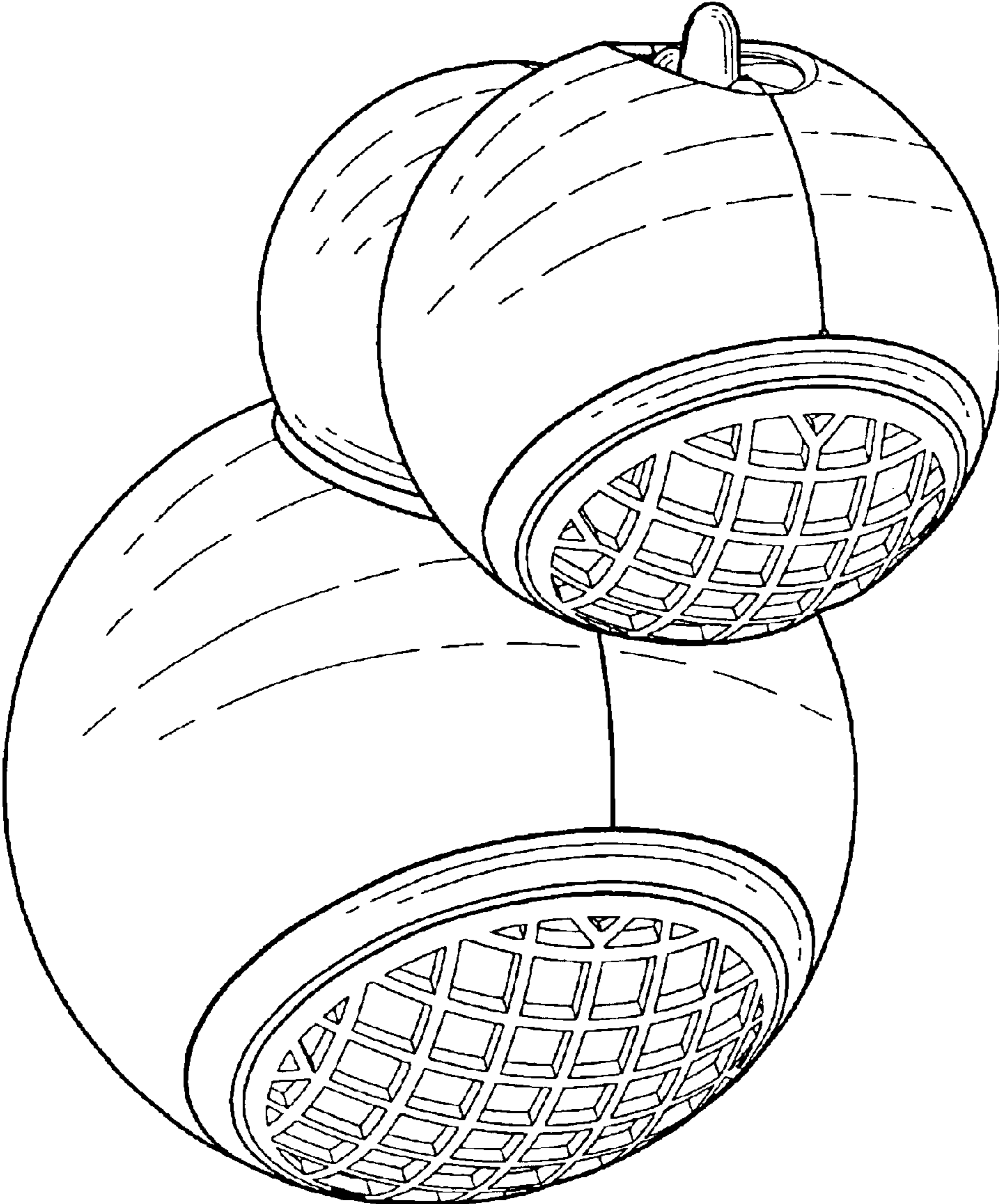


FIG. 1

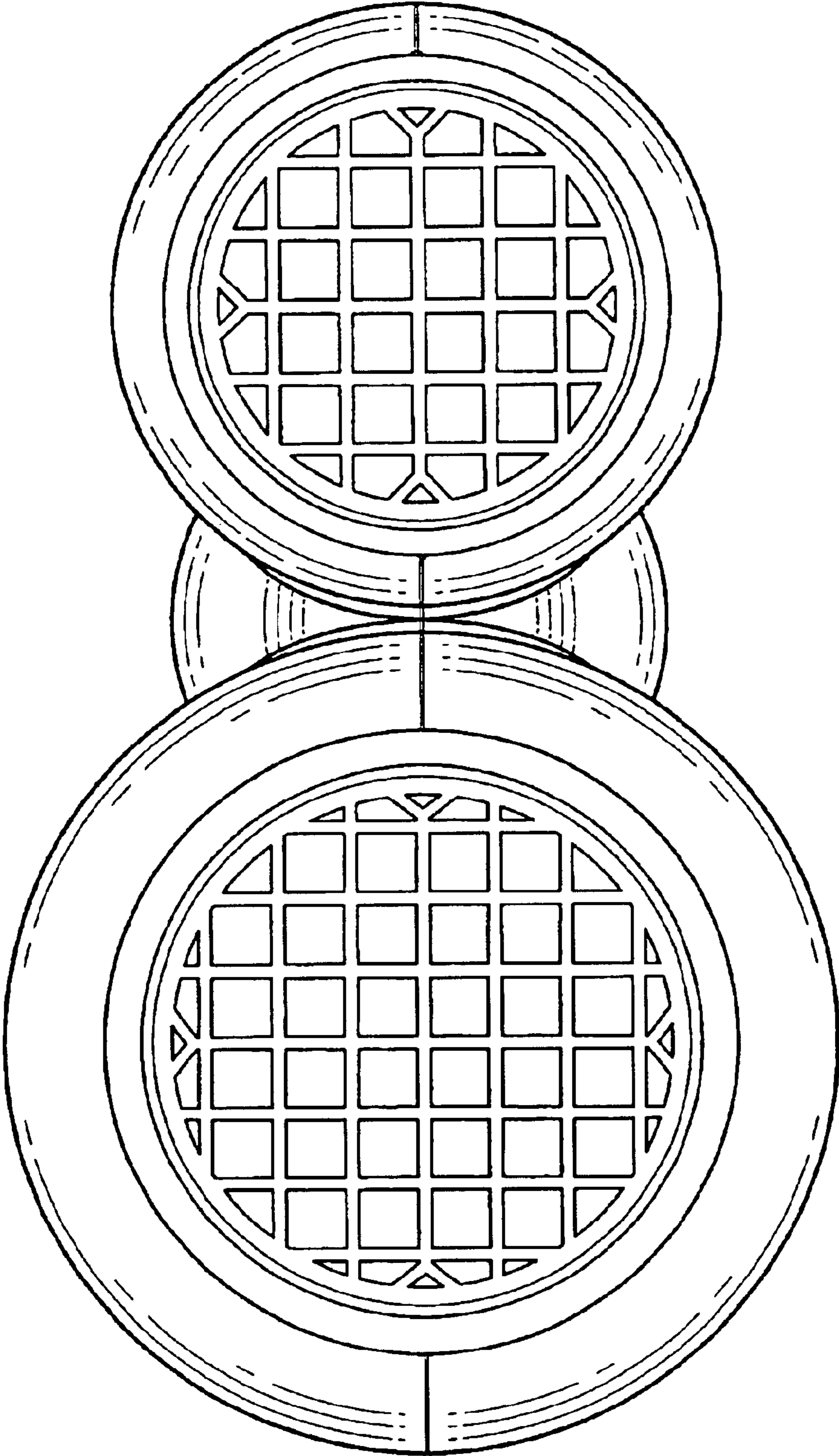


FIG. 2

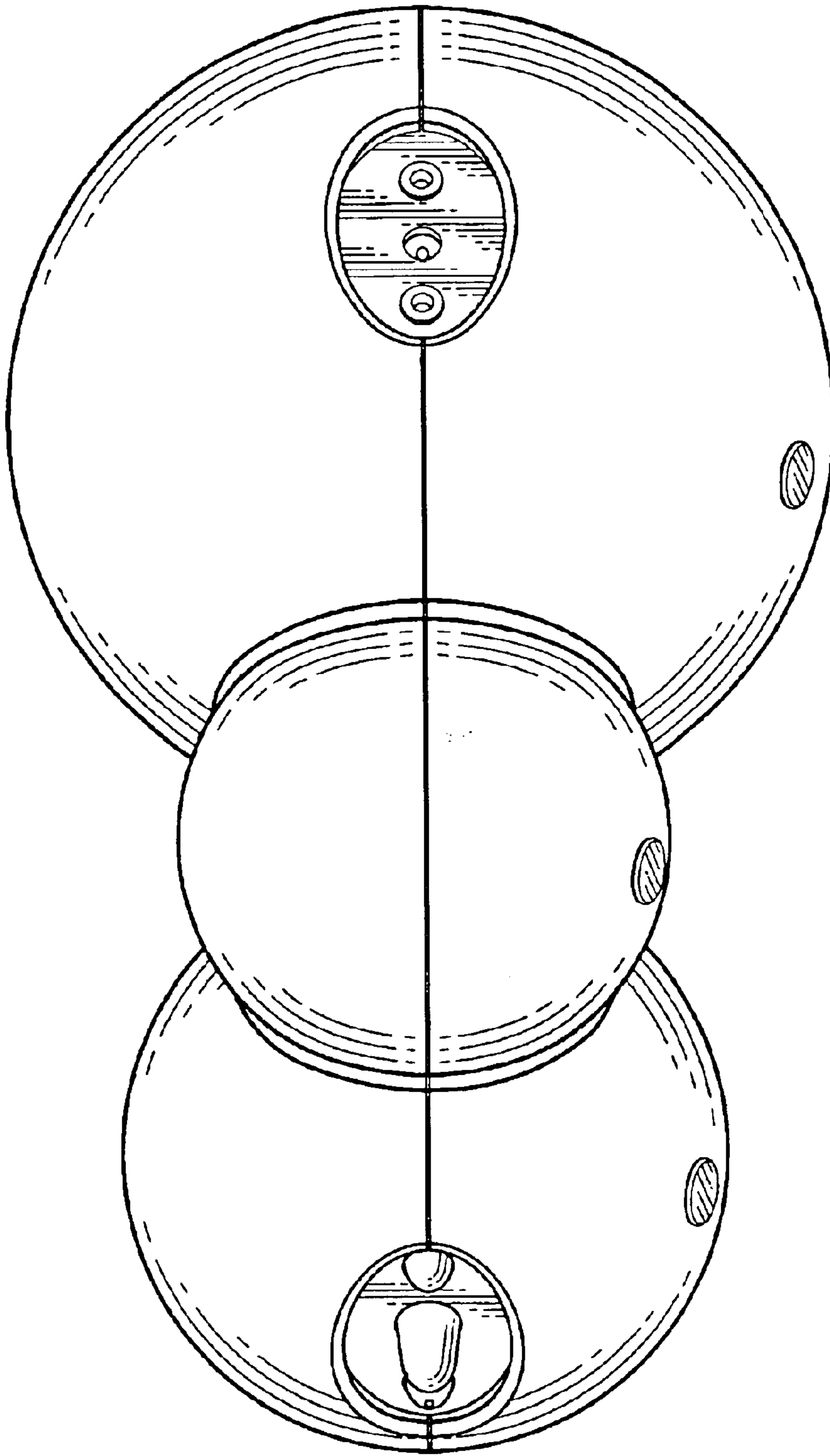


FIG. 3

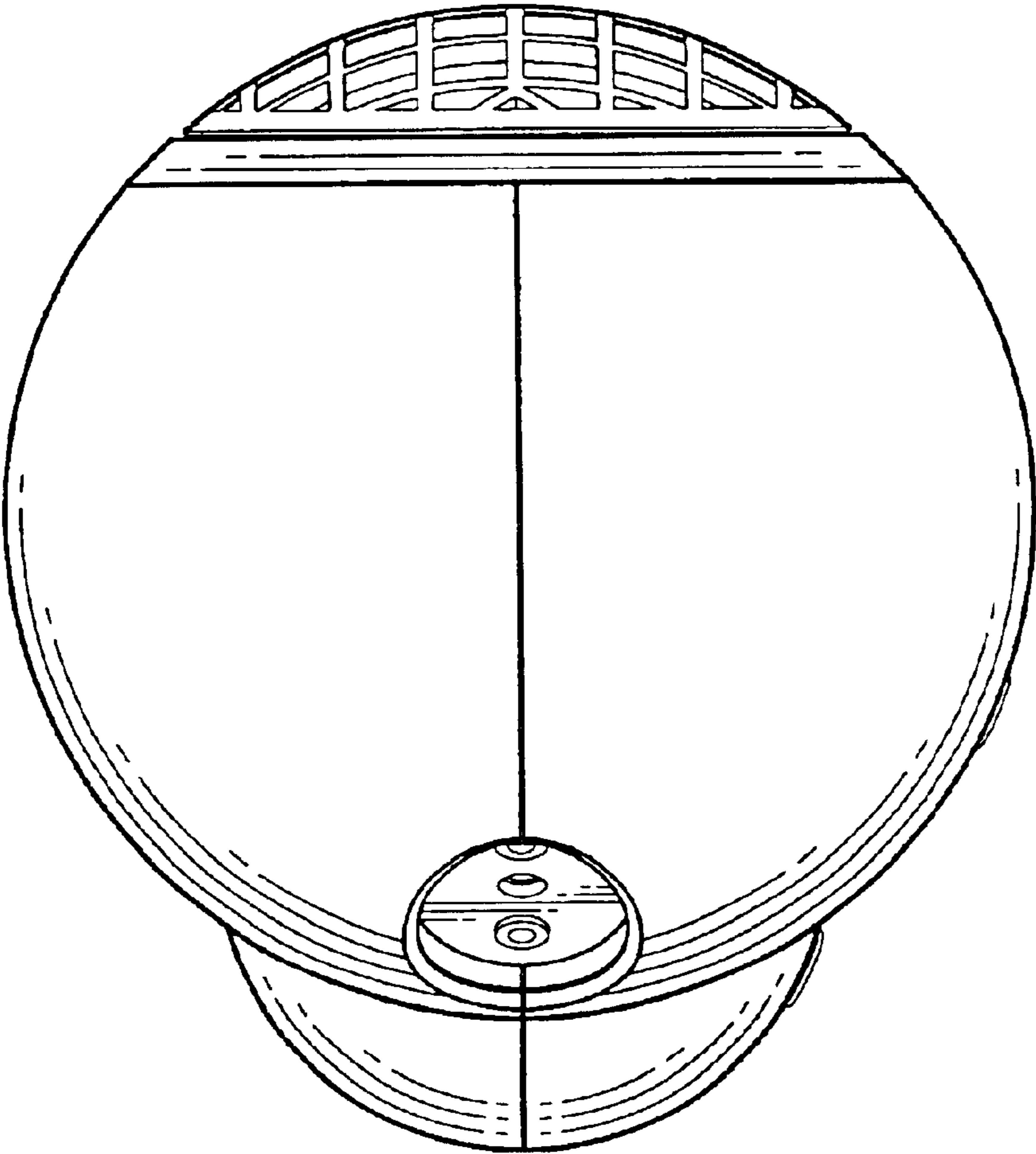


FIG. 4

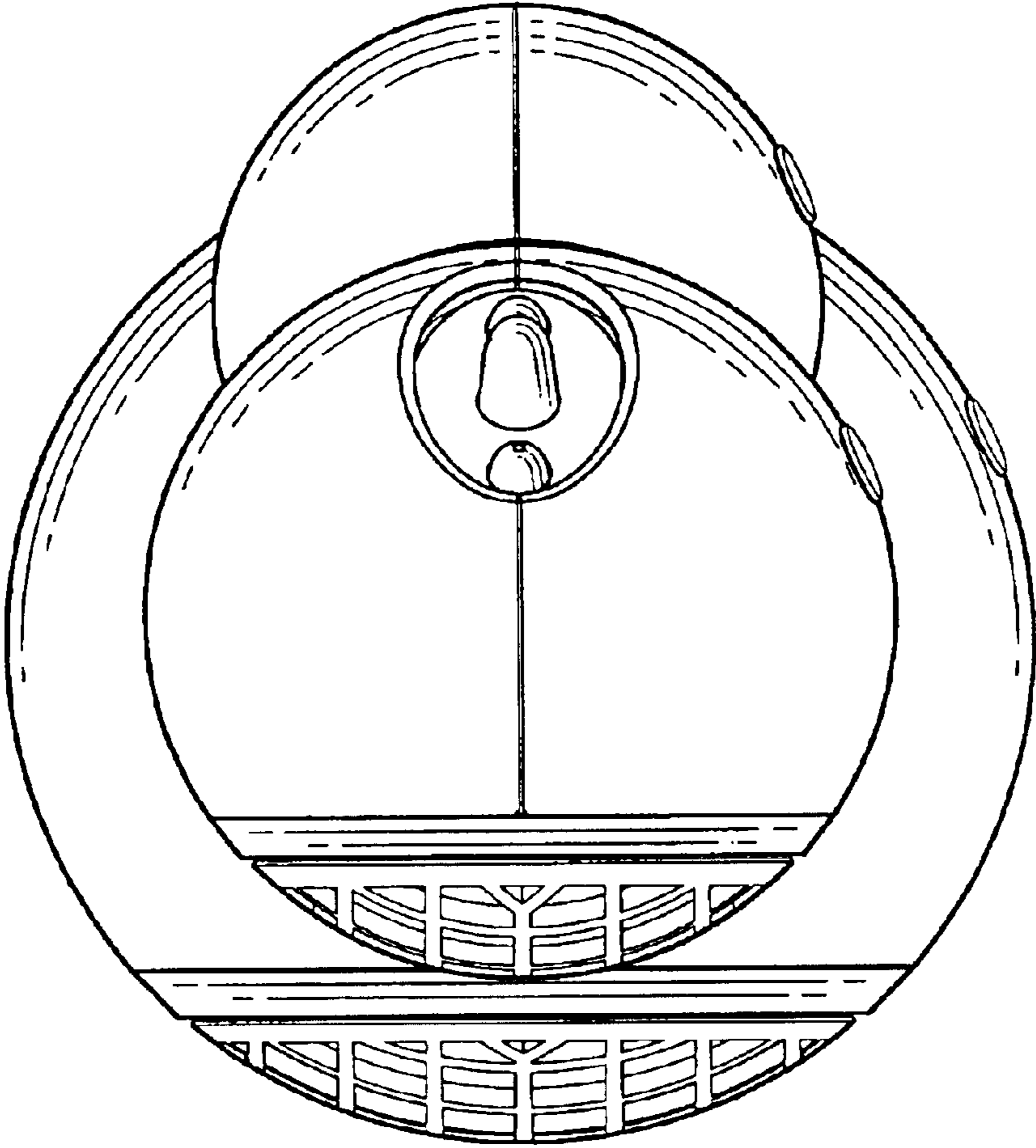


FIG. 5

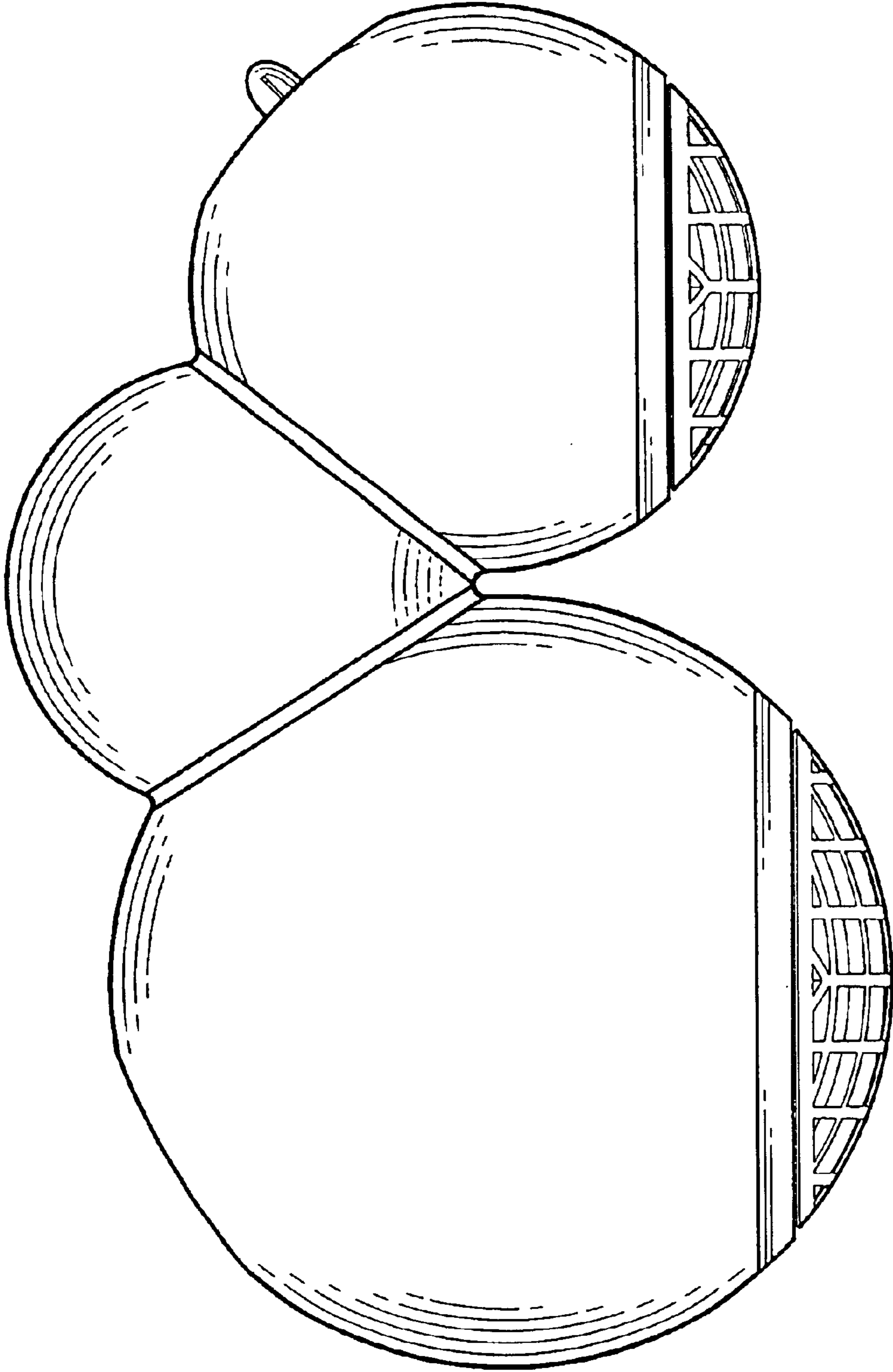


FIG. 6

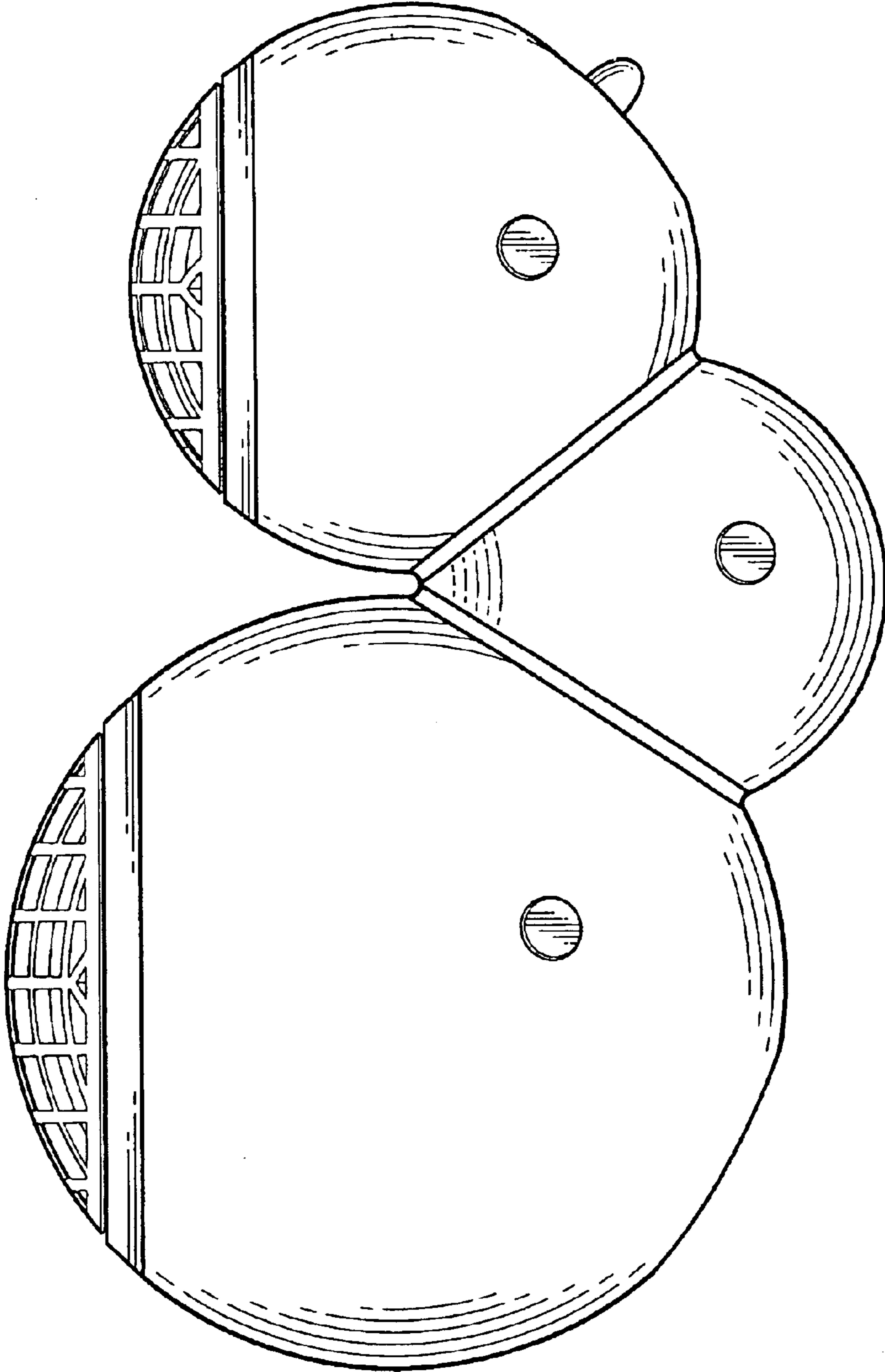


FIG. 7



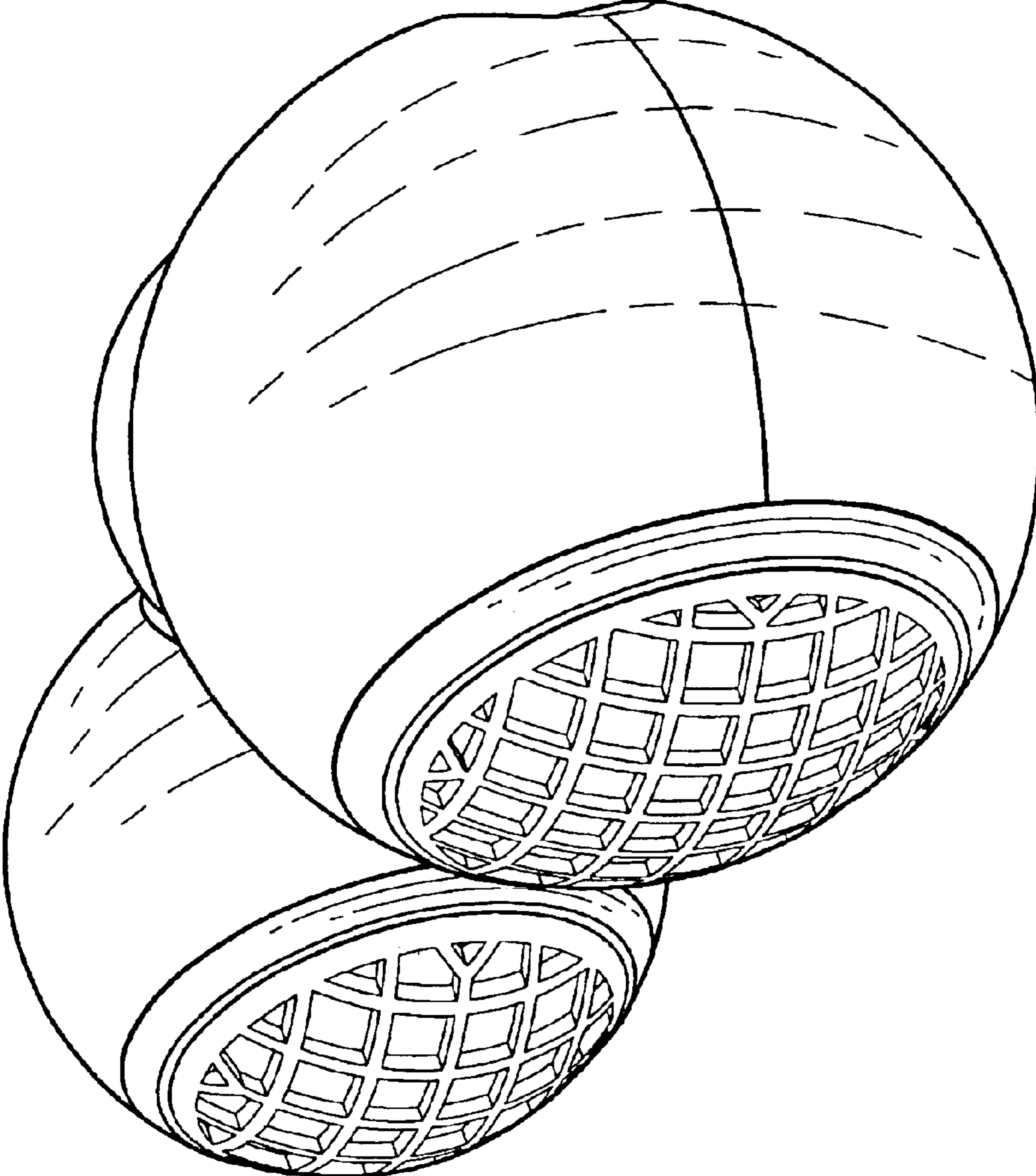


FIG. 8

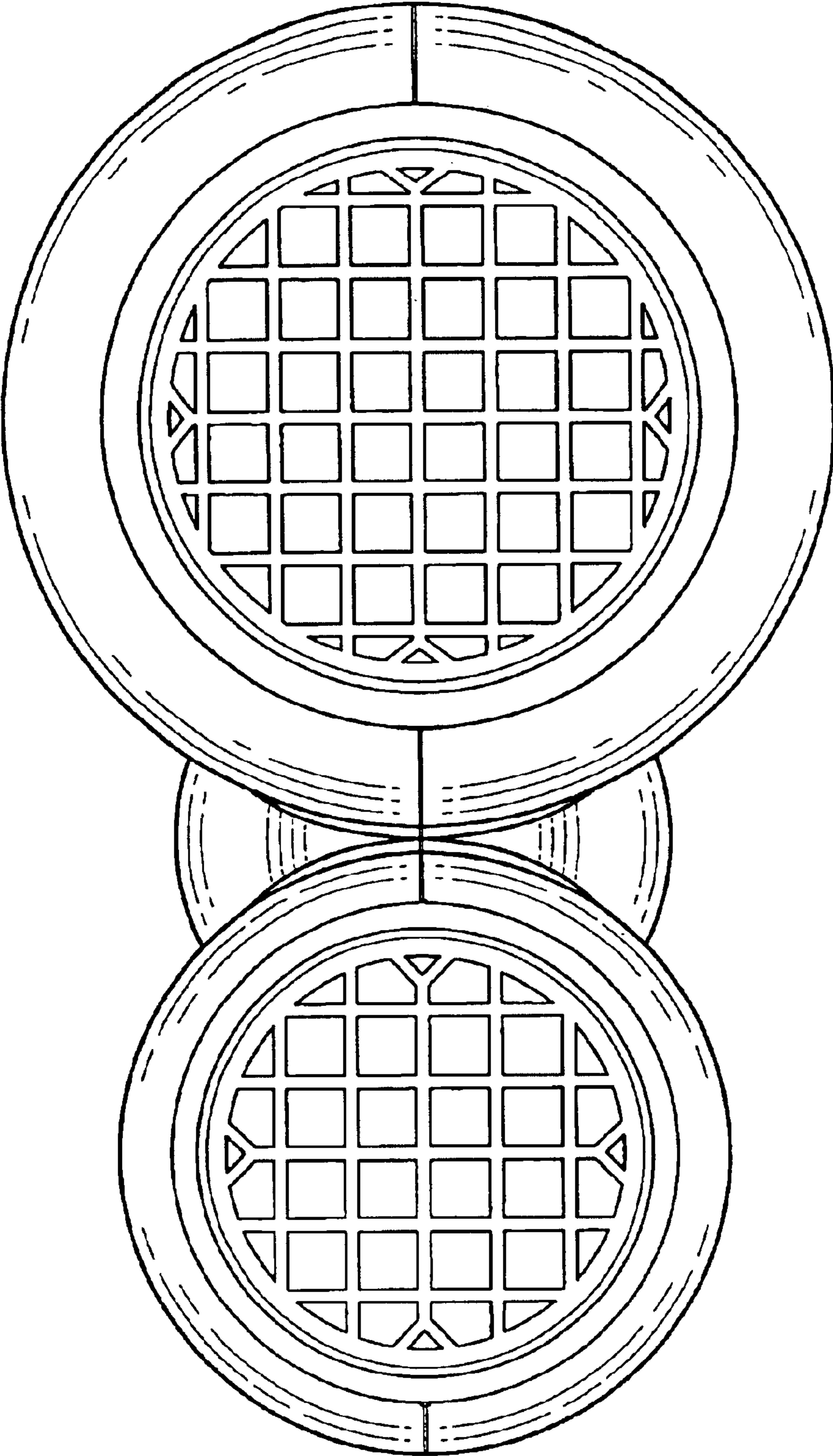


FIG. 9

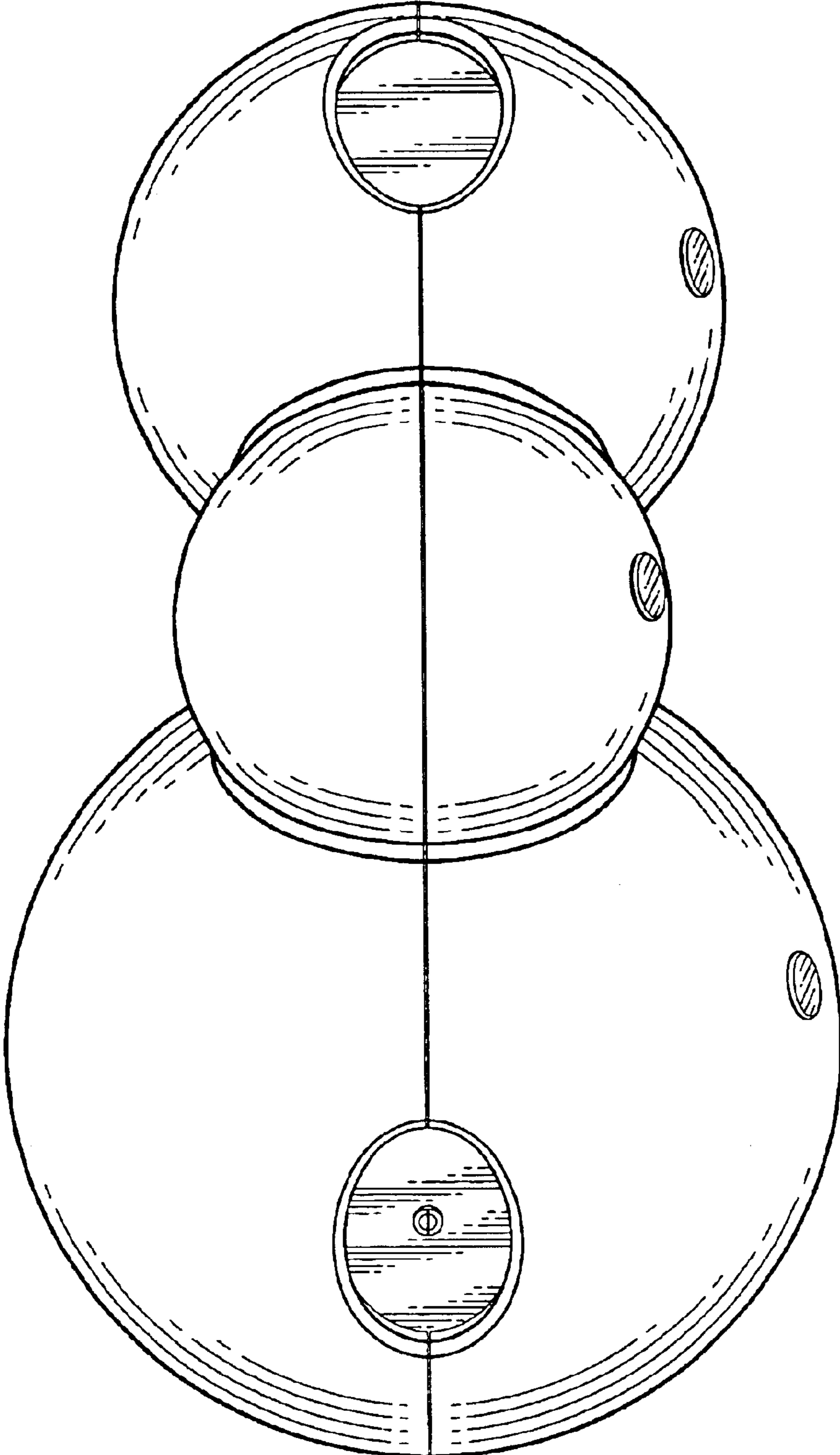


FIG. 10

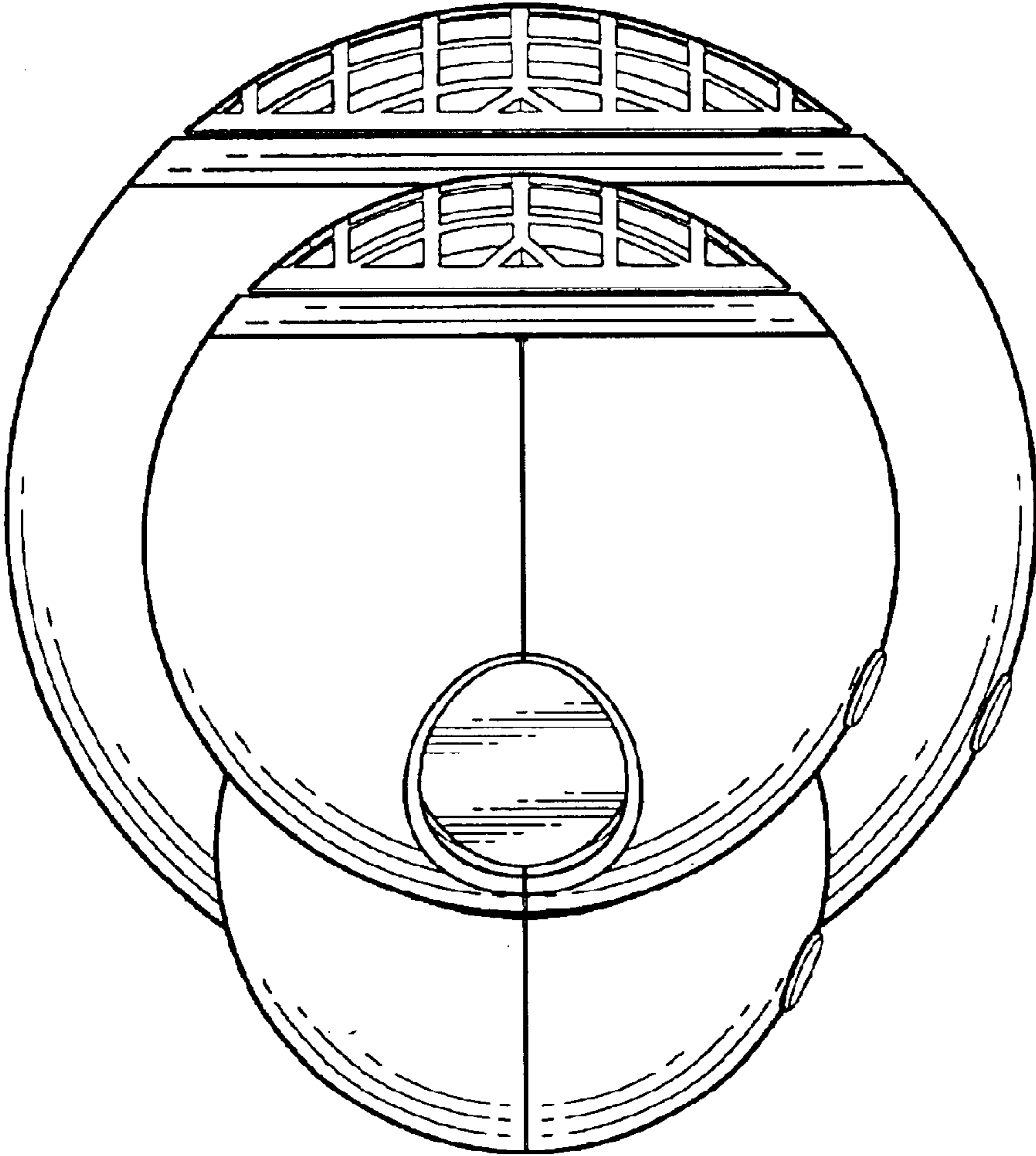


FIG. 11

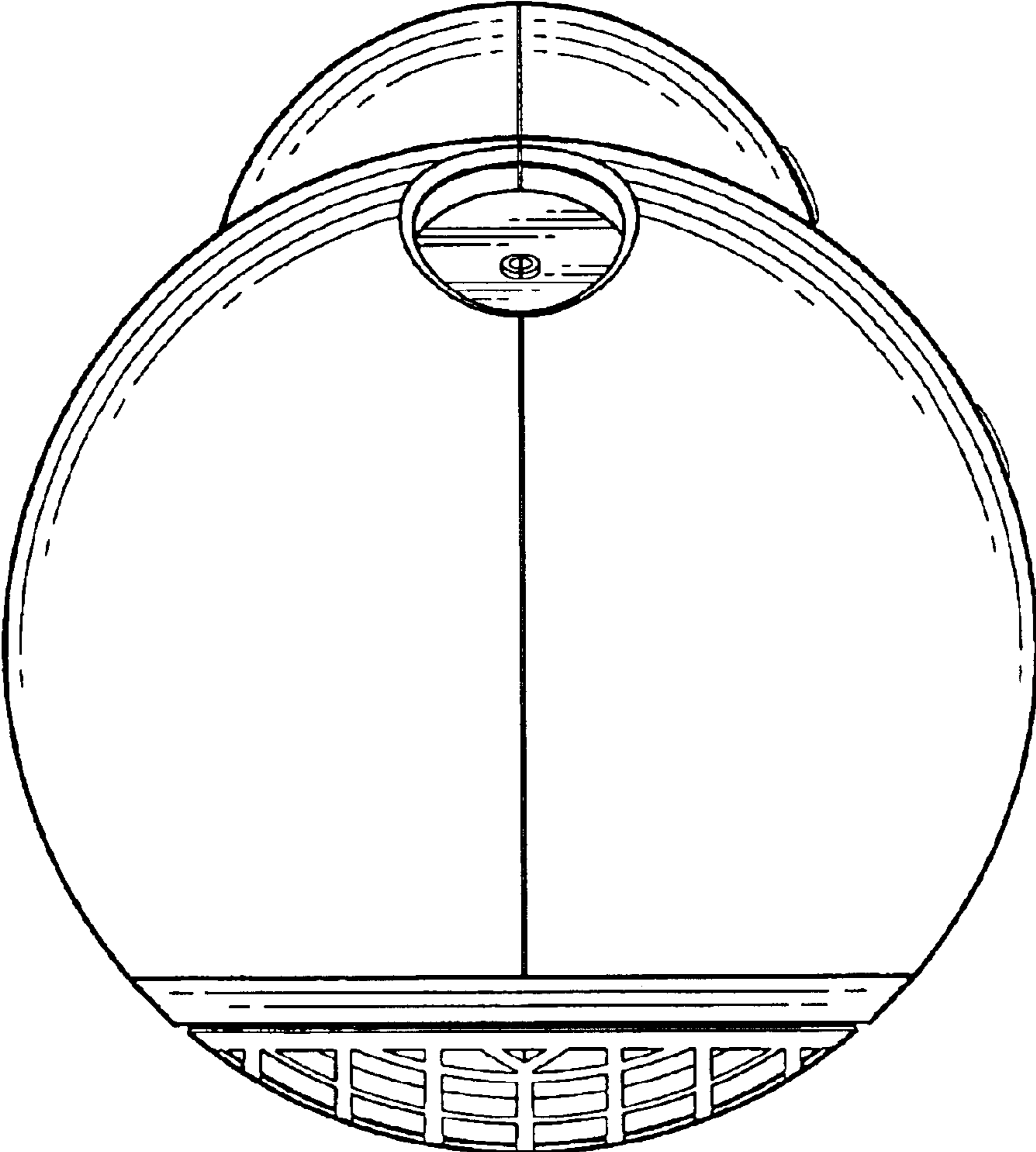


FIG. 12

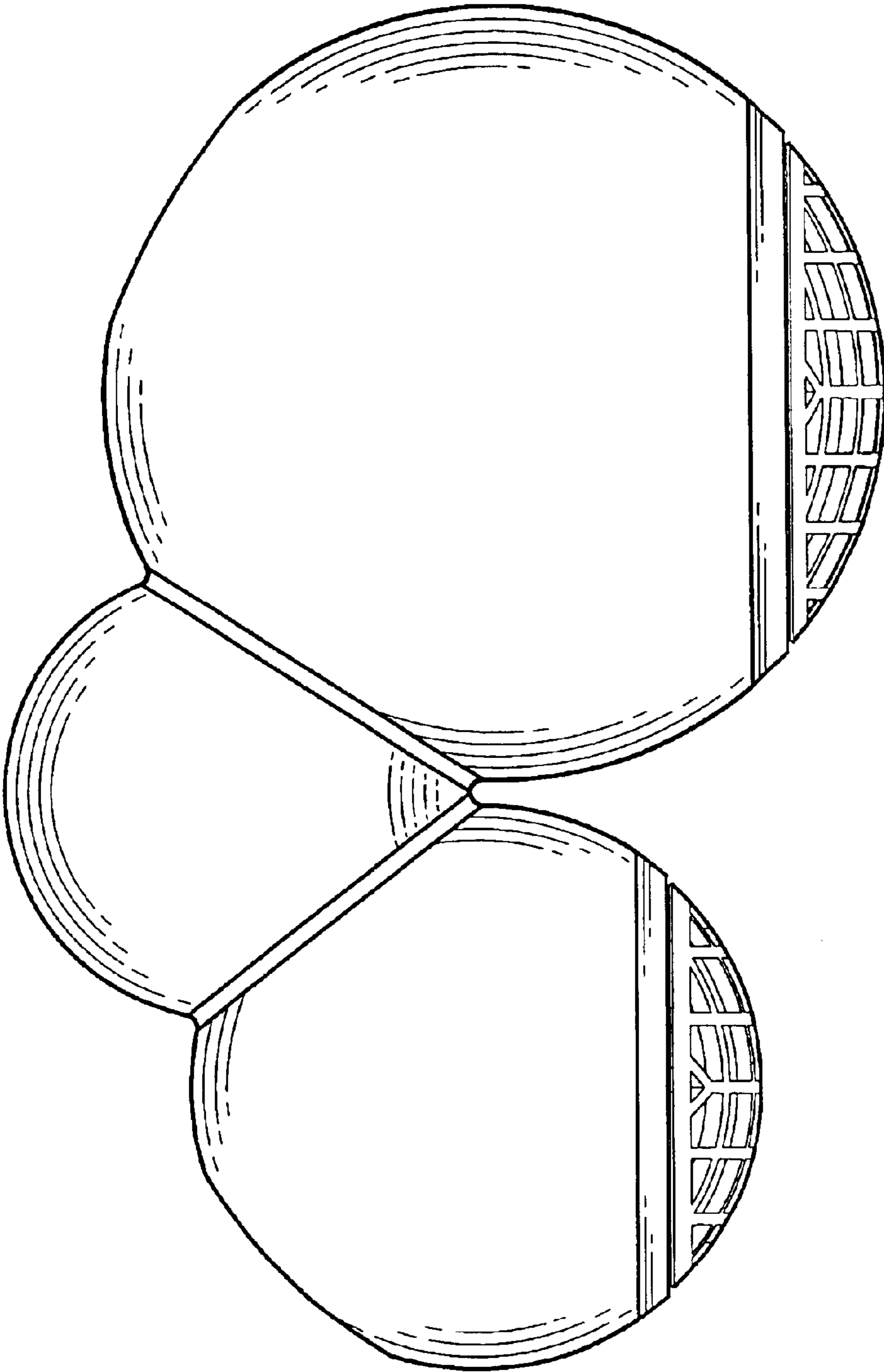


FIG. 13

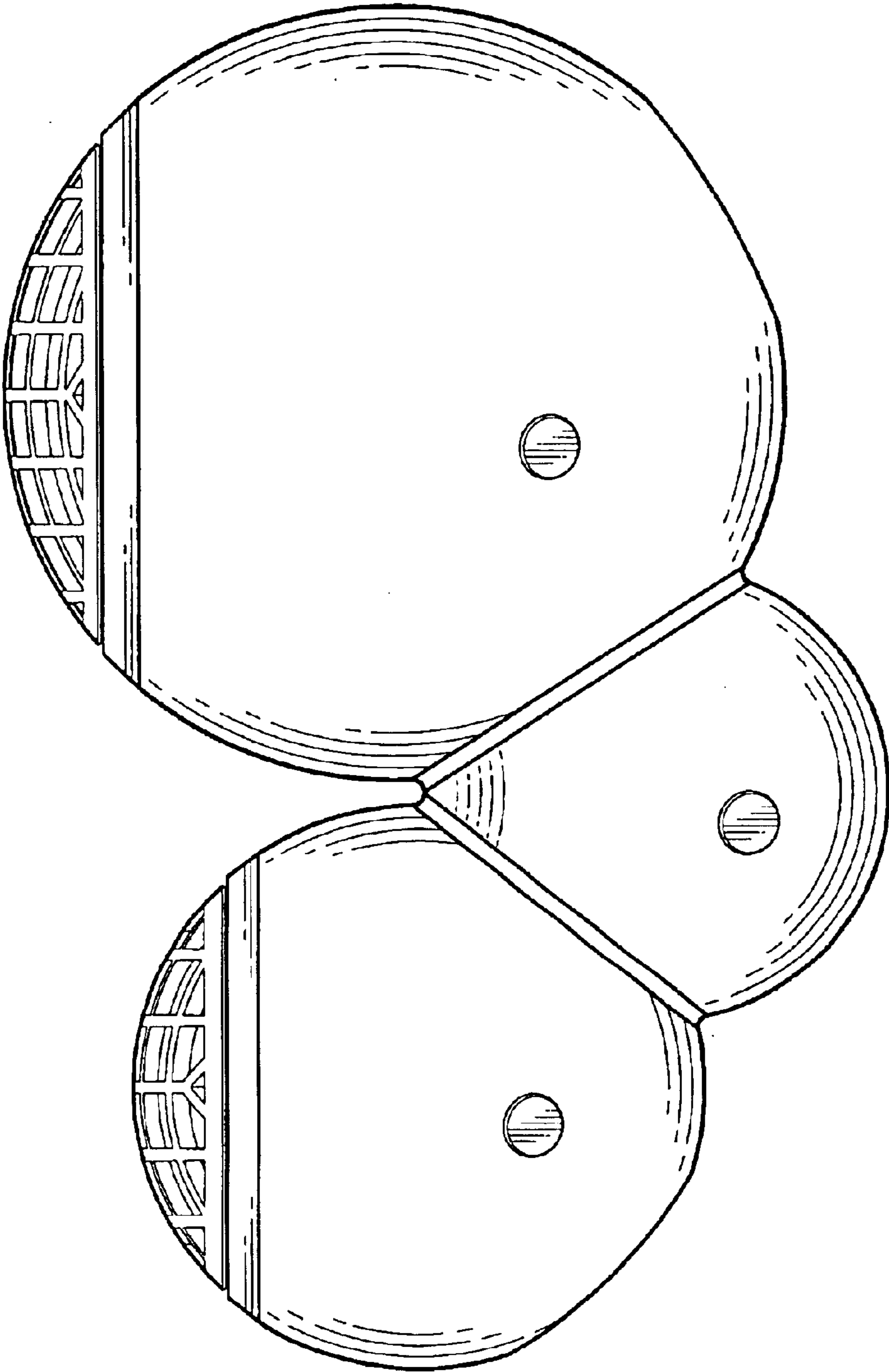


FIG. 14