



US00D494565S1

(12) **United States Design Patent** (10) **Patent No.:** **US D494,565 S**
Yao (45) **Date of Patent:** **** Aug. 17, 2004**

(54) **SET OF SPEAKERS**

(76) **Inventor:** **HongBo Yao**, 2550 Corporate Pl., Ste. C103, Monterey Park, CA (US) 91754

(**) **Term:** **14 Years**

(21) **Appl. No.:** **29/181,520**

(22) **Filed:** **May 12, 2003**

(51) **LOC (7) Cl.** **14-01**

(52) **U.S. Cl.** **D14/215; D14/214; D14/211**

(58) **Field of Search** **D14/204, 207, D14/209-216, 356; 181/143-145, 147-148, 150, 153, 157, 198-199; 381/300-302, 306, 333, 345, 361-364, 386-388**

(56) **References Cited**

U.S. PATENT DOCUMENTS

3,241,631	A	*	3/1966	Manieri	181/147
D265,822	S	*	8/1982	Hartwein et al.	D14/211
D265,990	S	*	8/1982	Hartwein et al.	D14/214
D277,752	S	*	2/1985	Nakamura	D14/214
4,940,108	A	*	7/1990	Selby	181/145
D352,507	S	*	11/1994	Price	D14/215
5,802,190	A	*	9/1998	Ferren	381/182
D451,494	S	*	12/2001	Oikawa	D14/214

* cited by examiner

Primary Examiner—Nanda Bondade

(74) *Attorney, Agent, or Firm*—Clement Cheng

(57) **CLAIM**

The ornamental design for a set of speakers, as shown and described.

DESCRIPTION

FIG. 1 is a perspective view of a first speaker of a set of speakers showing my new design, shown separately for clarity of illustration;
 FIG. 2 is a front elevational view thereof;
 FIG. 3 is a right side elevational view thereof;
 FIG. 4 is a left side elevational view thereof;
 FIG. 5 is a rear elevational view thereof;
 FIG. 6 is a top plan view thereof;
 FIG. 7 is a bottom plan view thereof;
 FIG. 8 is a perspective view of a second speaker of a set of speakers shown separately for clarity of illustration;
 FIG. 9 is a front elevational view thereof;
 FIG. 10 is a right side elevational view thereof;
 FIG. 11 is a left side elevational view thereof;
 FIG. 12 is a rear elevational view thereof;
 FIG. 13 is a top plan view thereof;
 FIG. 14 is a bottom plan view thereof;
 FIG. 15 is a perspective view of a third speaker of the set of speakers shown separately for clarity of illustration;
 FIG. 16 is a front elevational view thereof;
 FIG. 17 is a right side elevational view thereof;
 FIG. 18 is a left side elevational view thereof;
 FIG. 19 is a rear elevational view thereof;
 FIG. 20 is a top plan view thereof; and,
 FIG. 21 is a bottom plan view thereof.

1 Claim, 7 Drawing Sheets

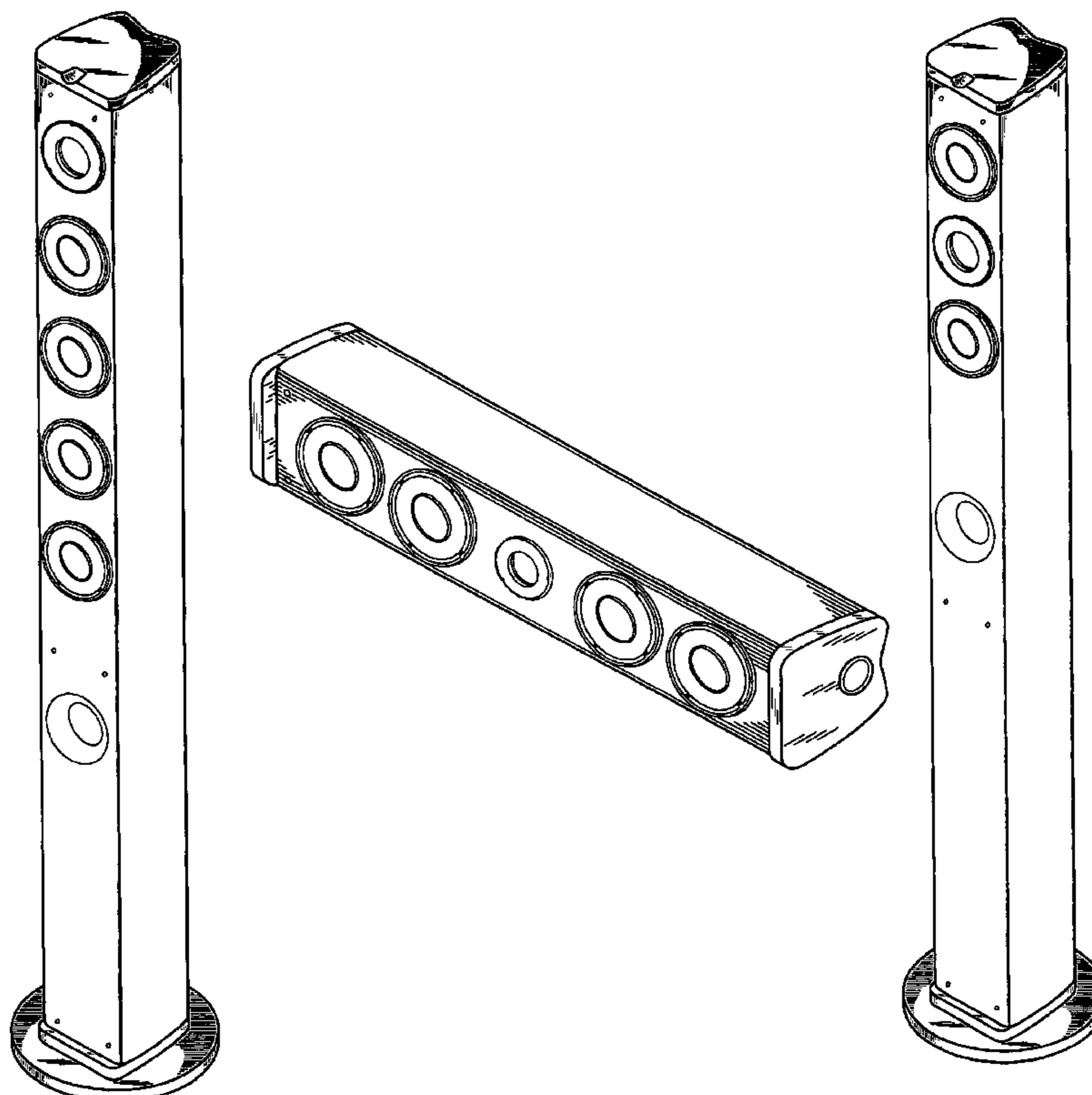


Fig. 1

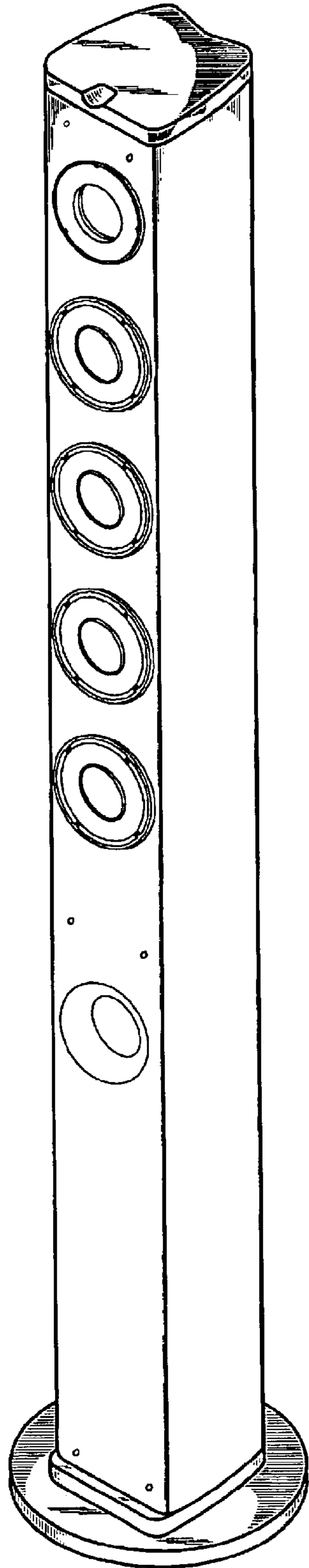


Fig. 2

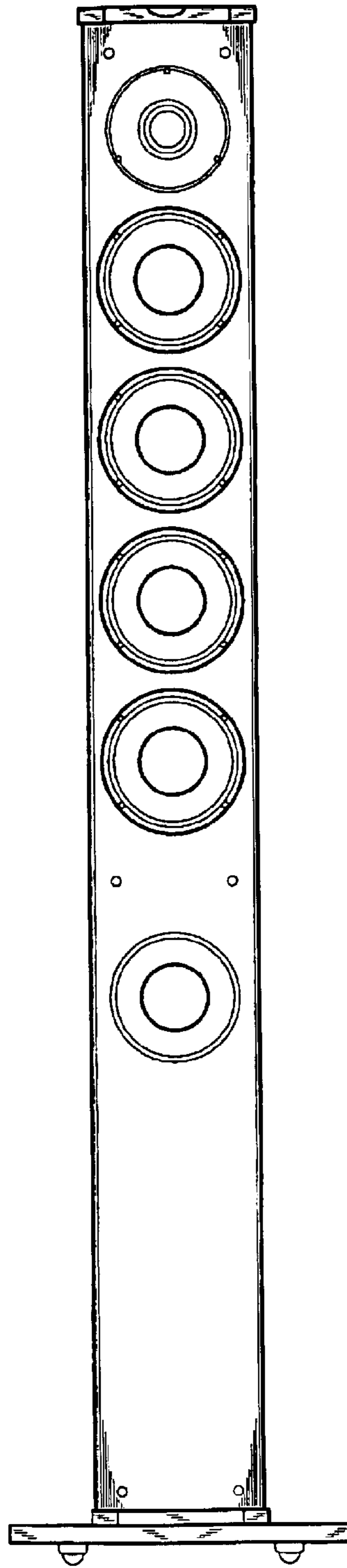


Fig. 3

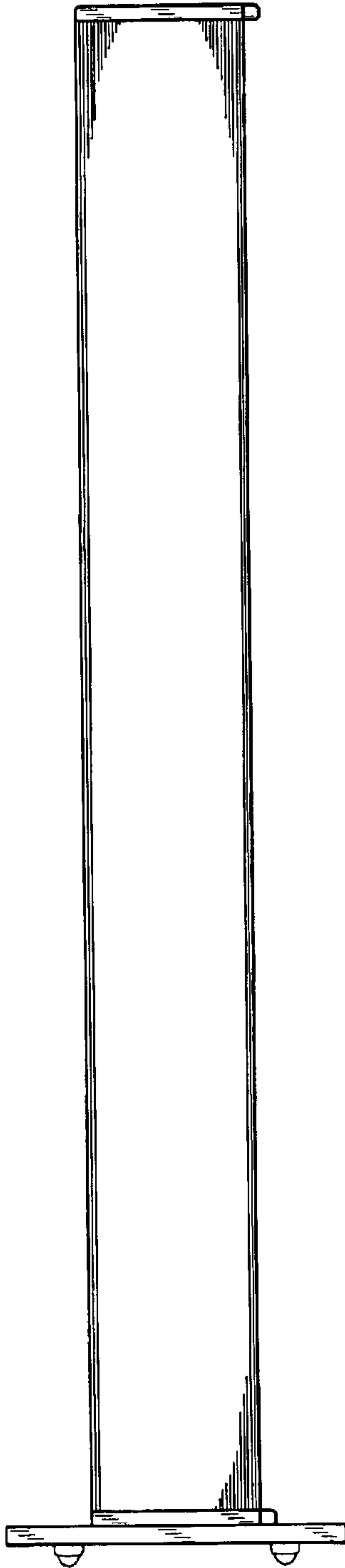


Fig. 4

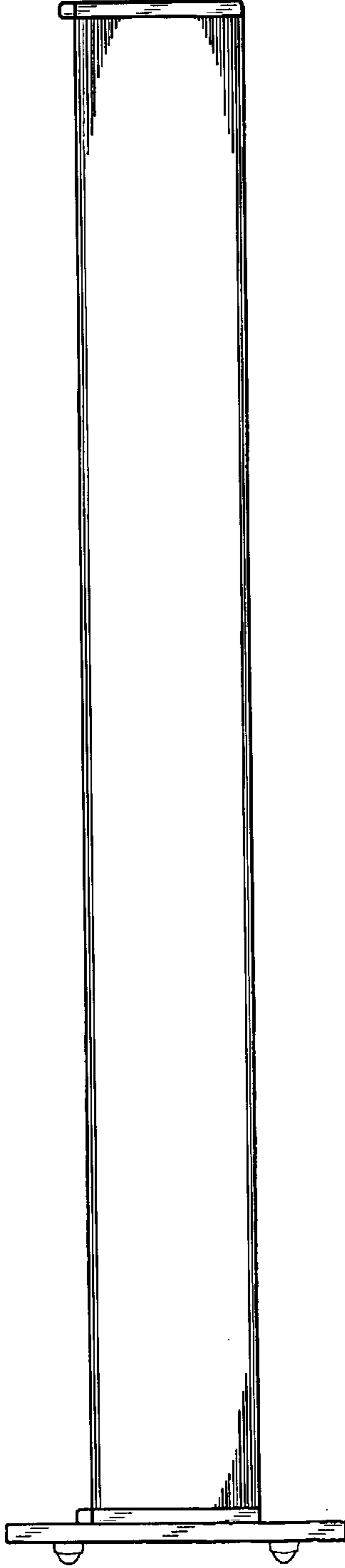
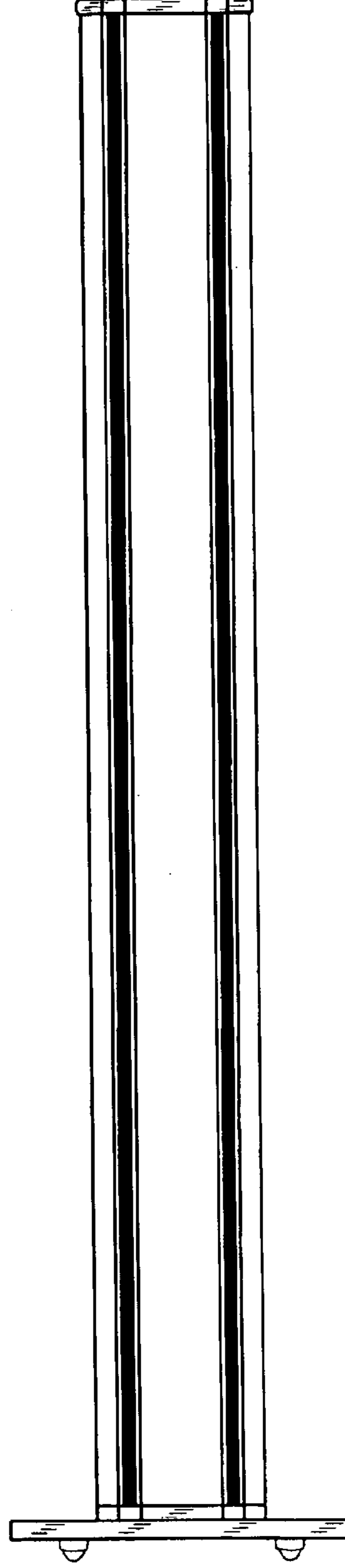


Fig. 5



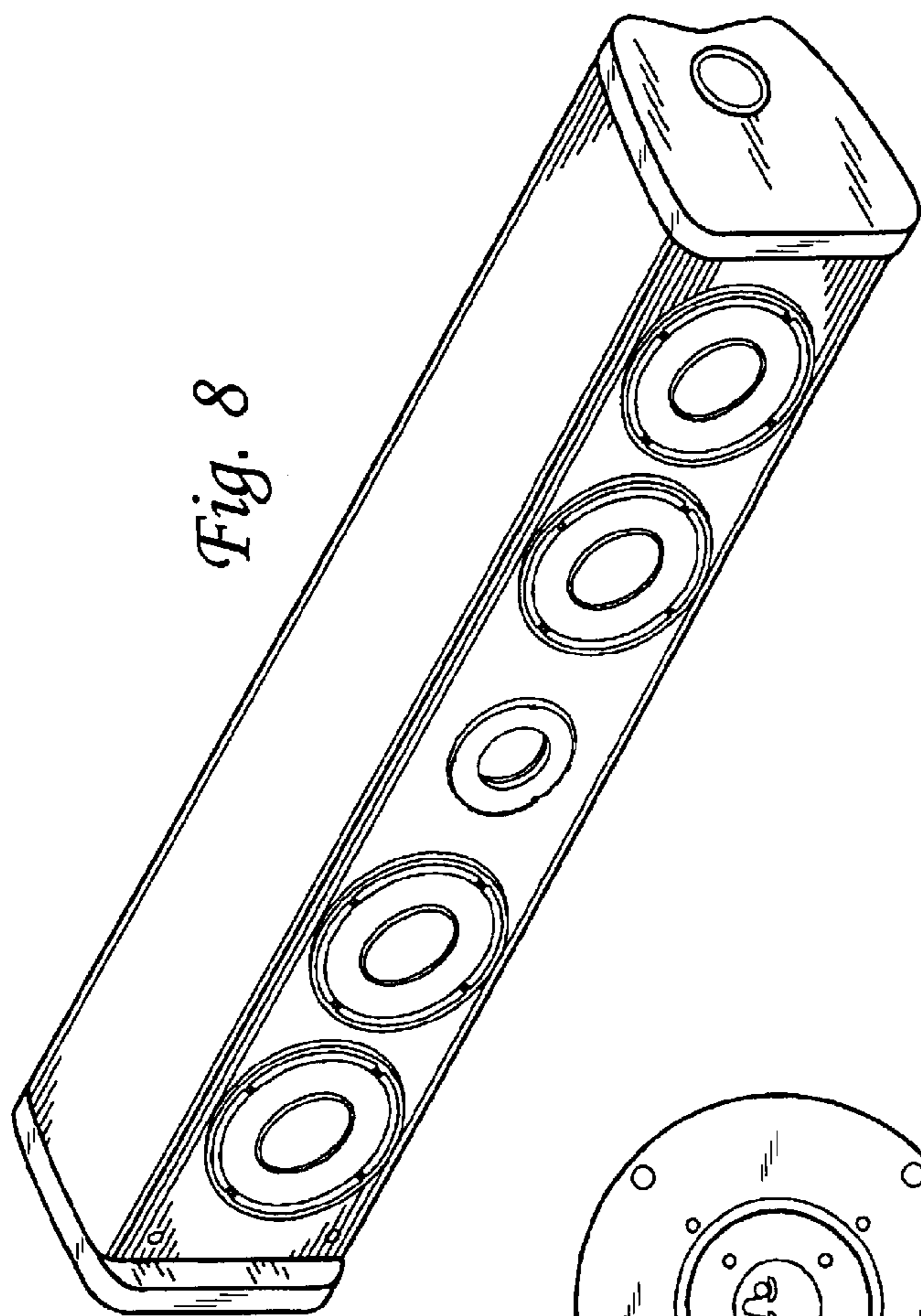


Fig. 8

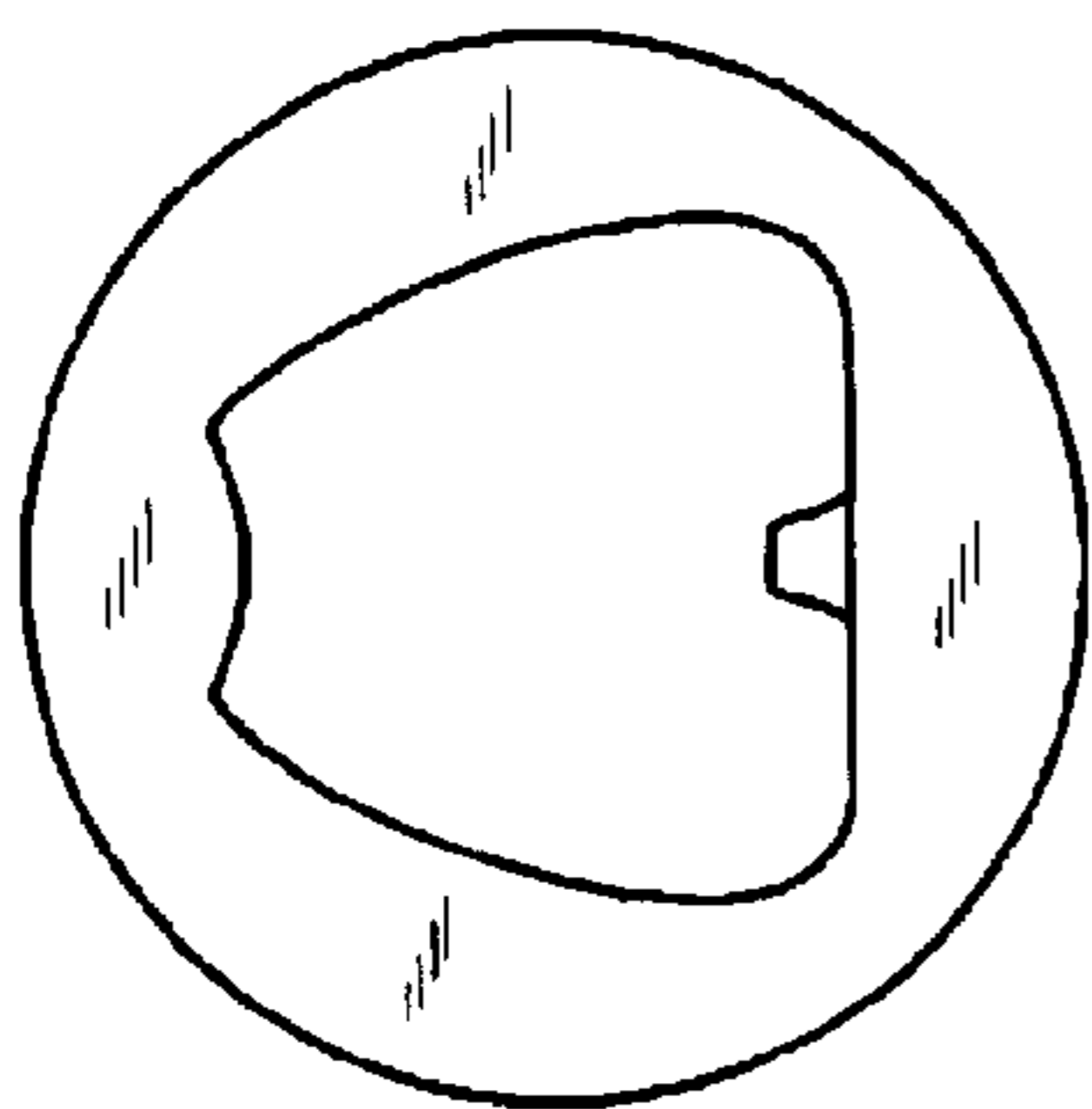


Fig. 6

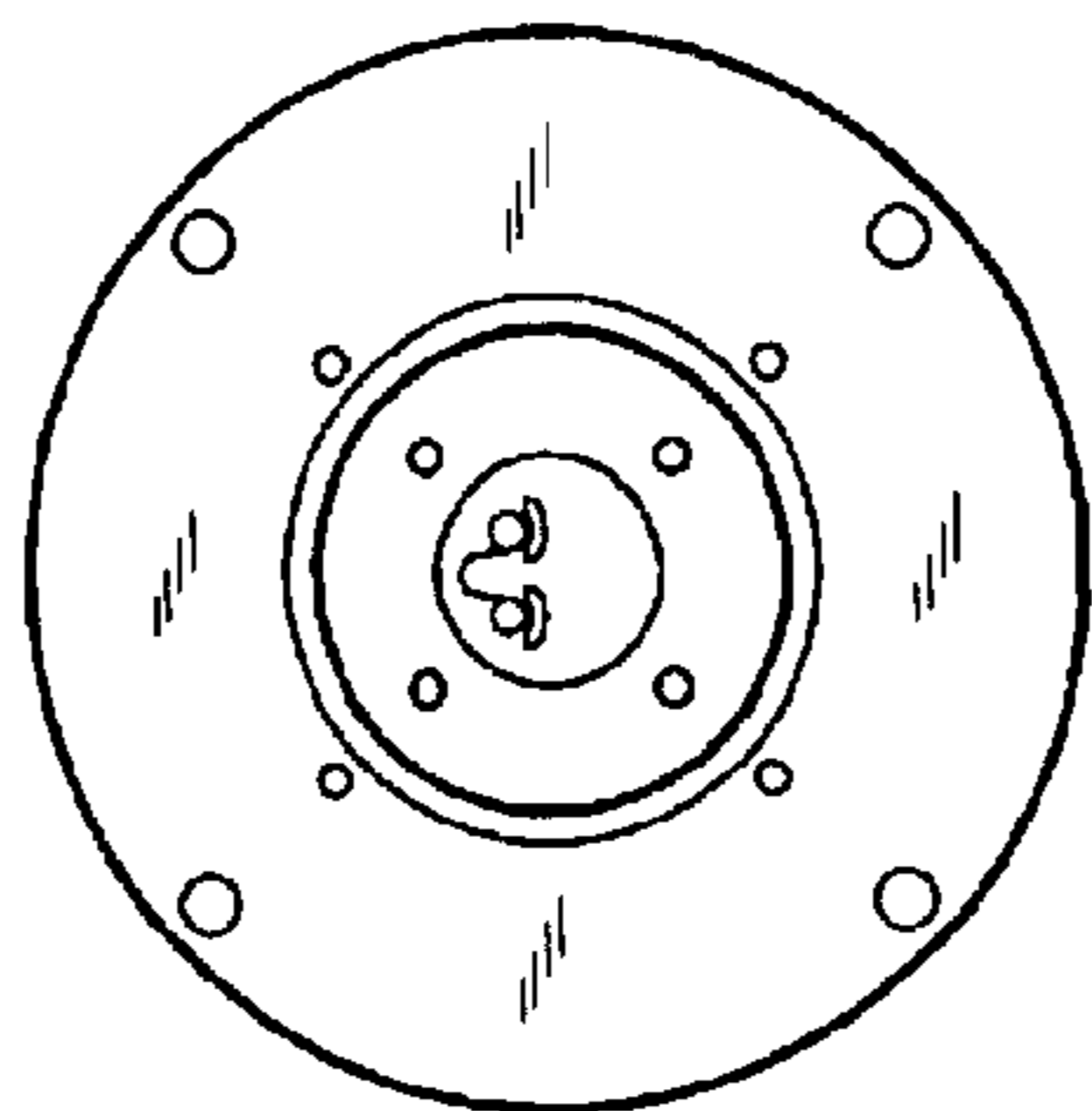


Fig. 7

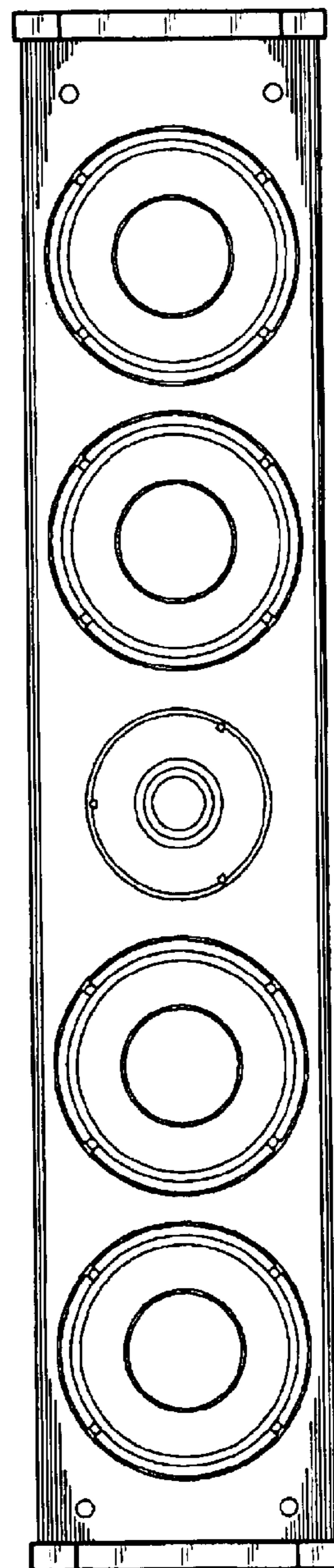


Fig. 9

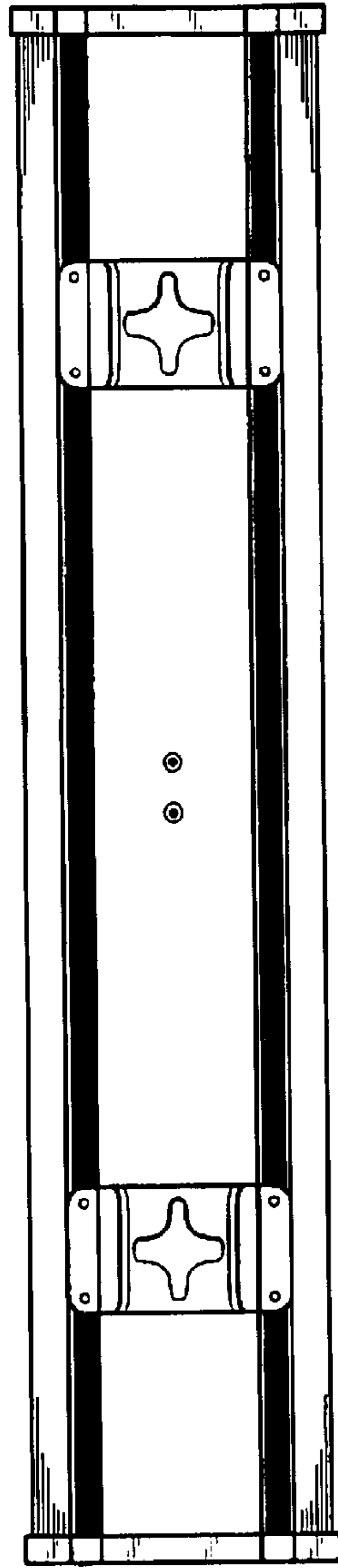


Fig. 12

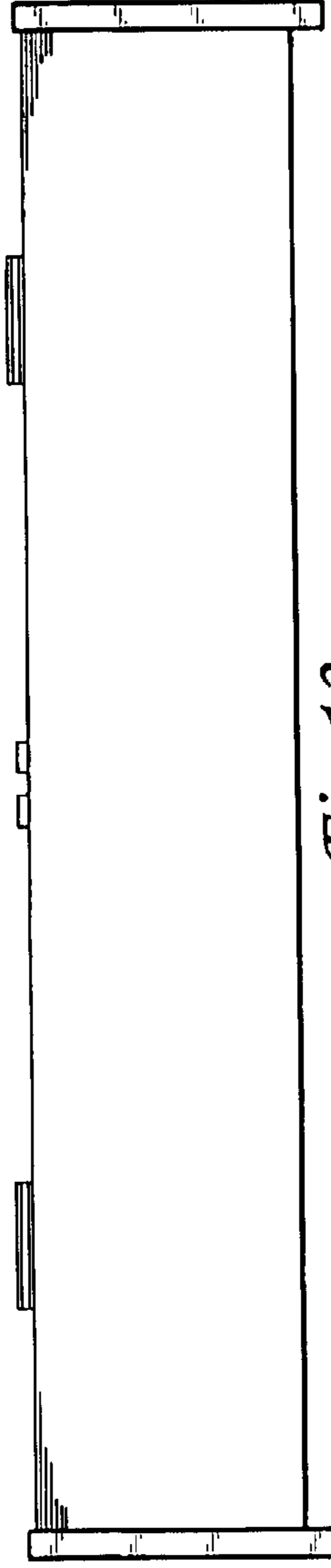


Fig. 13

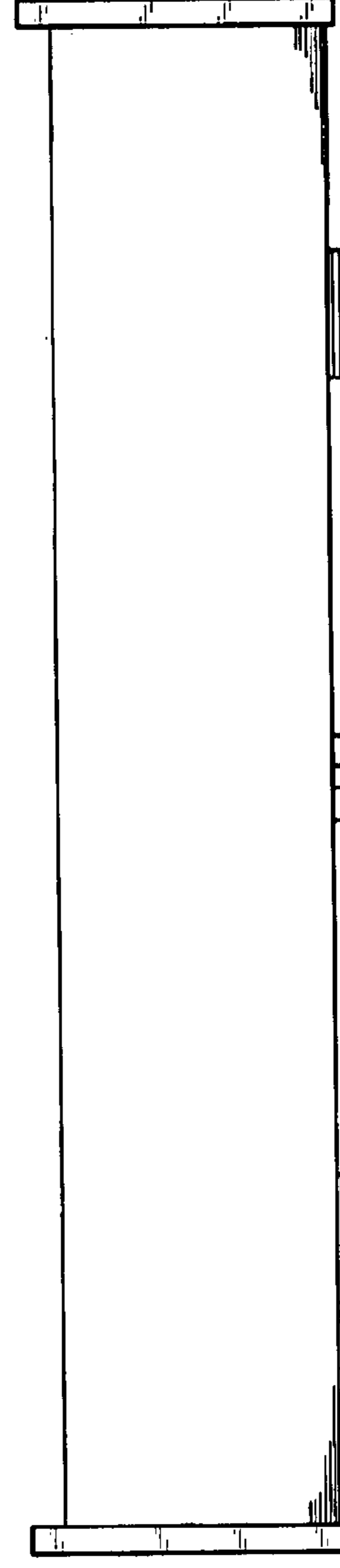


Fig. 14

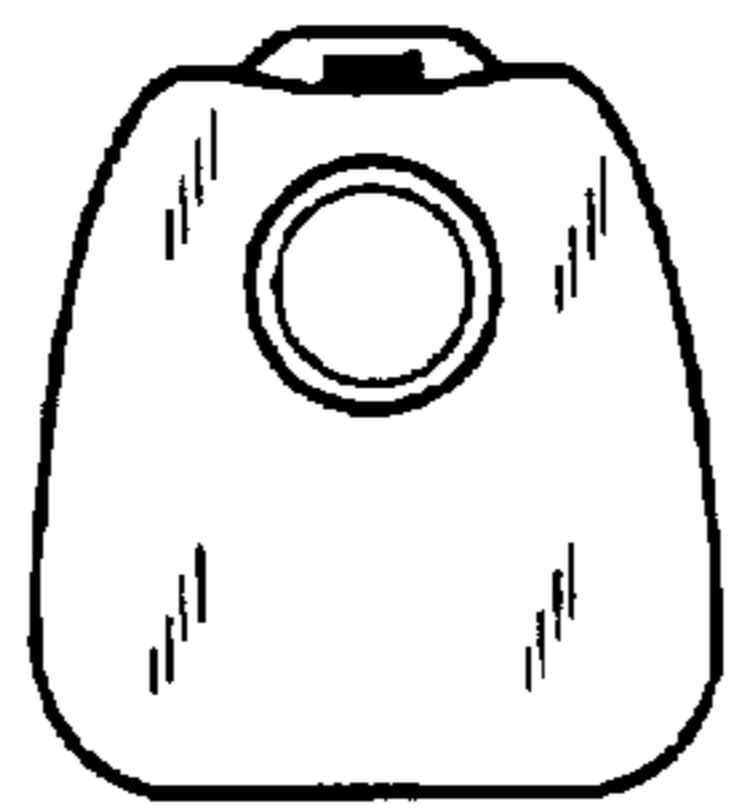


Fig. 10

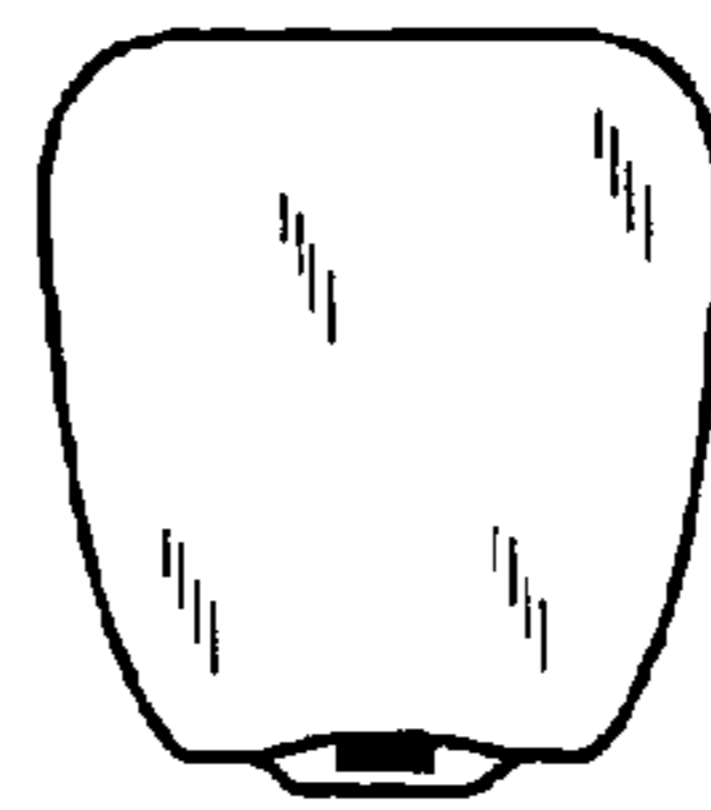


Fig. 11

Fig. 15

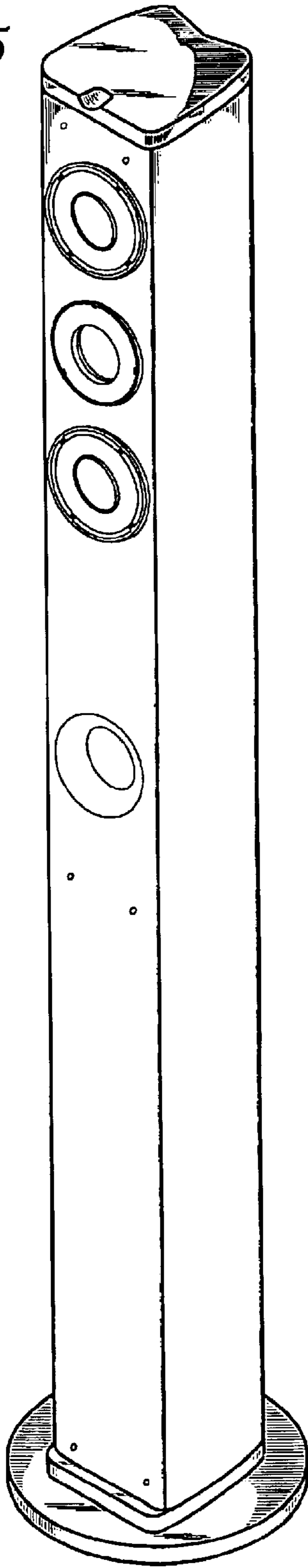


Fig. 16

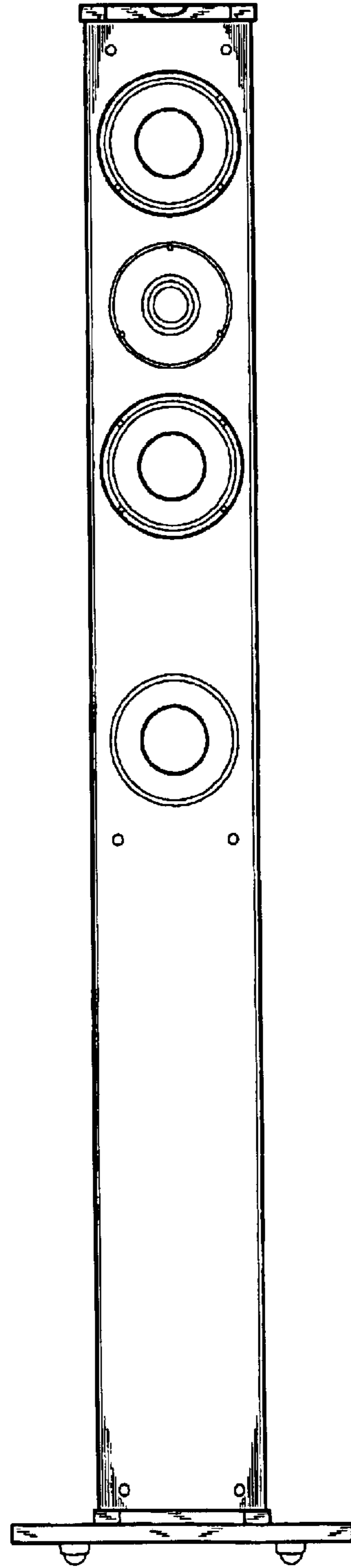


Fig. 17

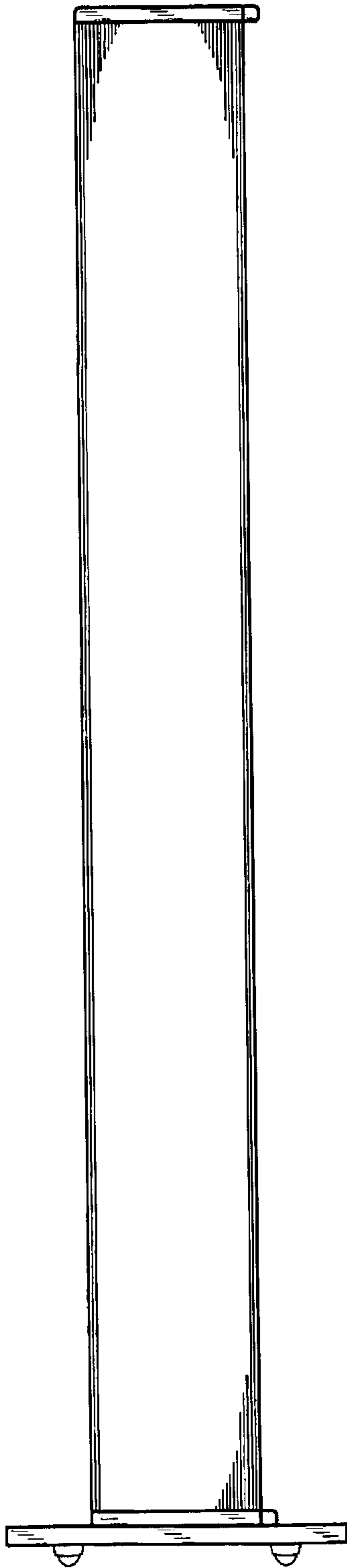


Fig. 18

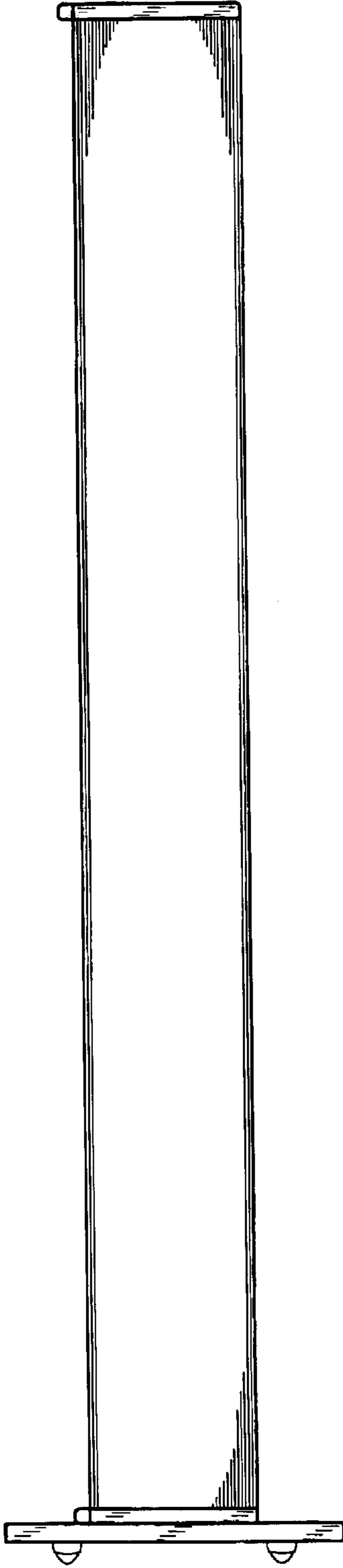
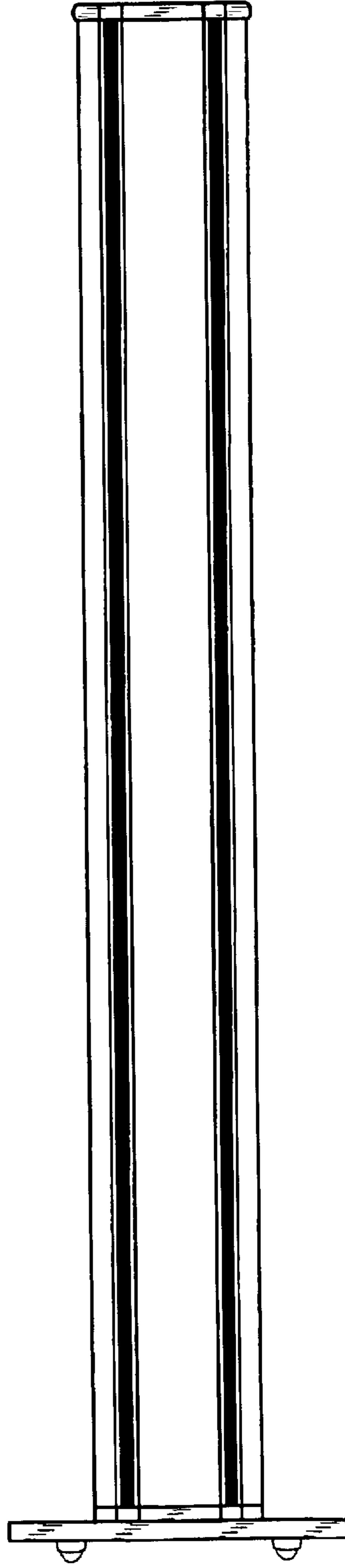


Fig. 19



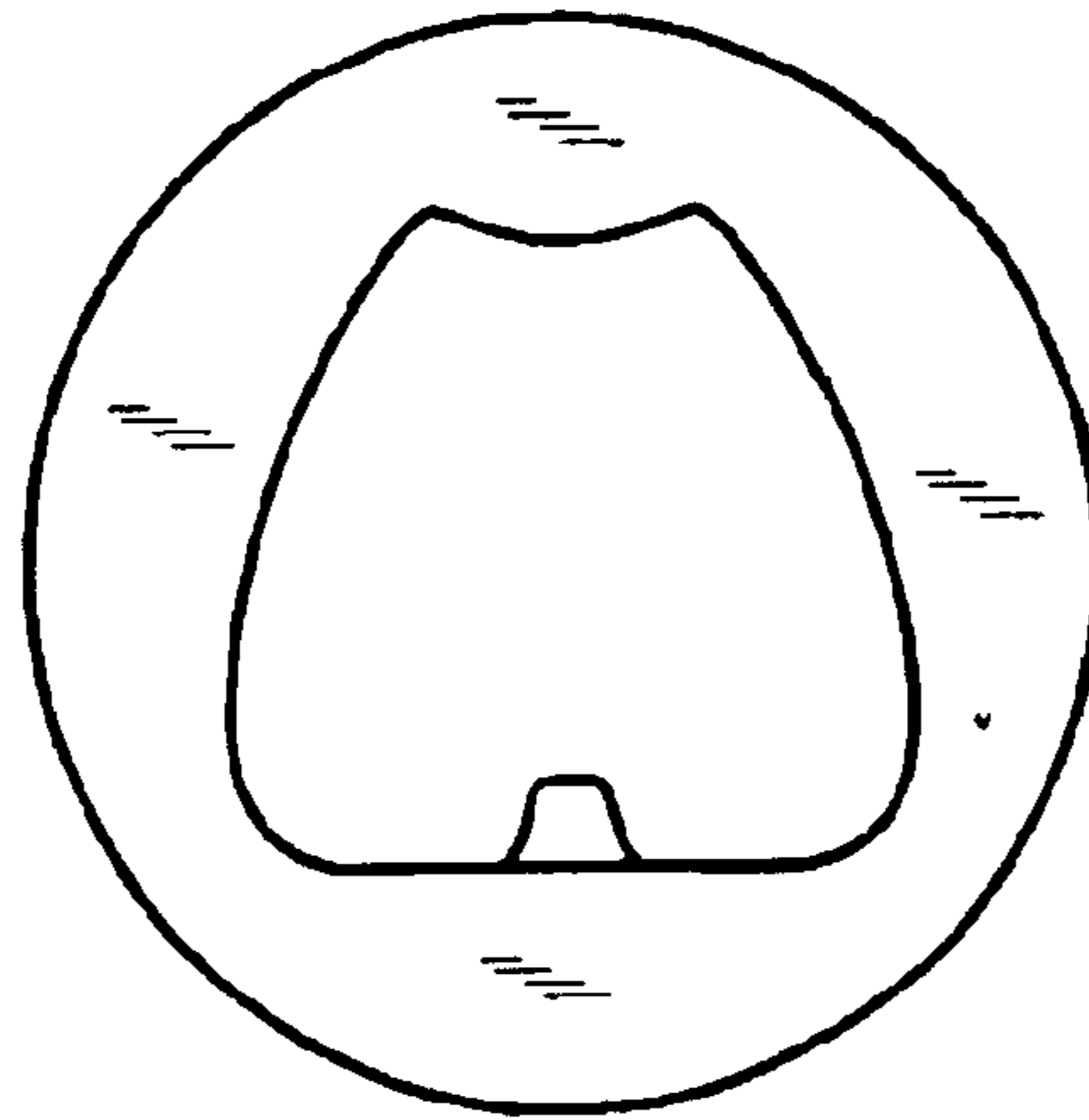


Fig. 20

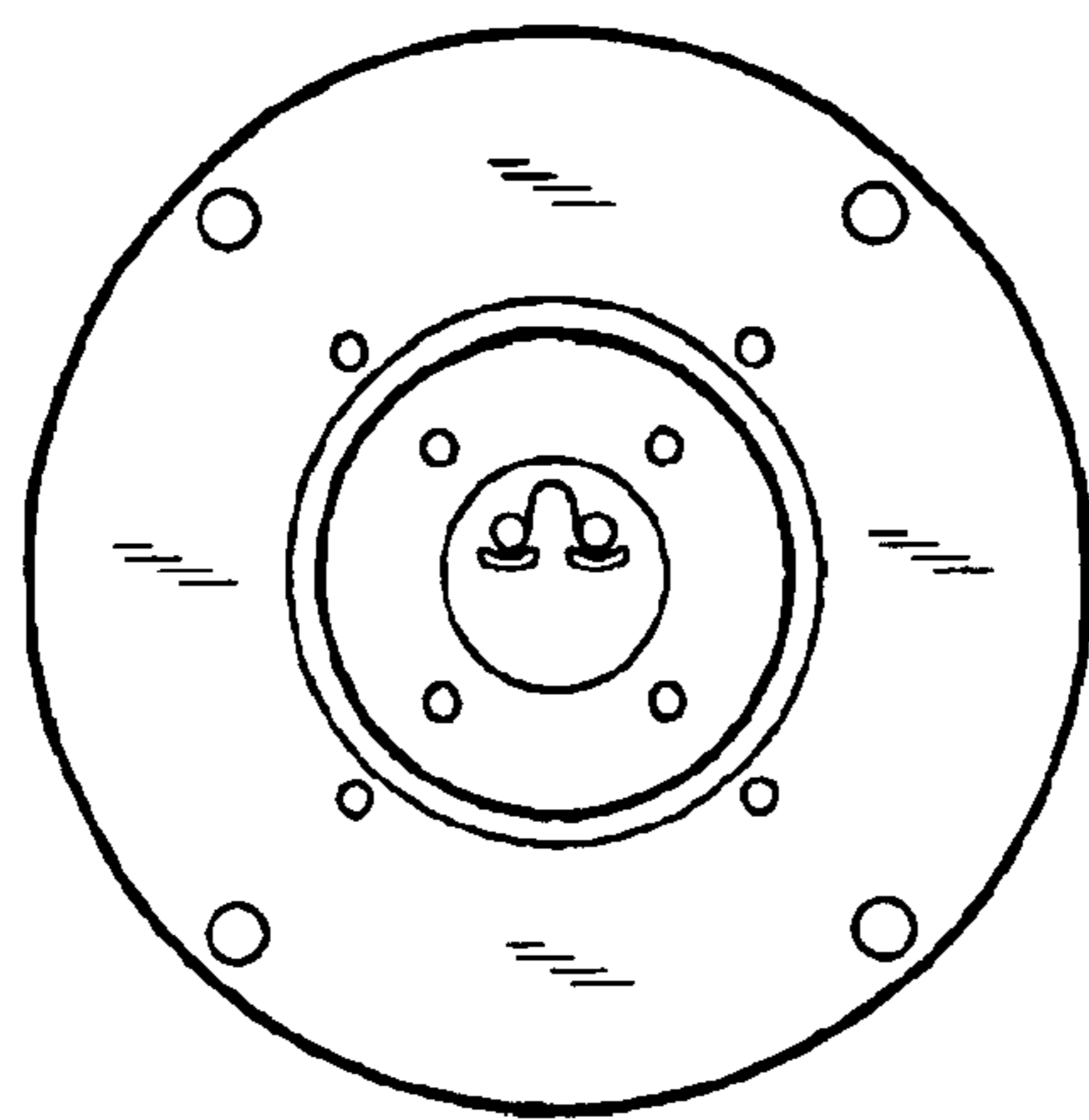


Fig. 21