



US00D494560S1

(12) **United States Design Patent** (10) **Patent No.:** **US D494,560 S**
Santos et al. (45) **Date of Patent:** **** Aug. 17, 2004**

(54) **WIRELESS COMMUNICATION DEVICE**
(75) Inventors: **Theodore R. Santos**, Boulder, CO (US); **Edmund V. Simmons**, Lafayette, CO (US); **Daniel Waldburger**, La Jolla, CA (US)
(73) Assignee: **Kyocera Wireless Corporation**, San Diego, CA (US)
(**) Term: **14 Years**
(21) Appl. No.: **29/181,344**
(22) Filed: **May 7, 2003**

D434,743 S * 12/2000 Wei D14/138
D435,027 S * 12/2000 Wolf et al. D14/138
D435,529 S * 12/2000 Lai D14/138
D436,938 S * 1/2001 Won D14/138
D439,573 S * 3/2001 DeLeon D14/138
D440,952 S * 4/2001 Carvalho
D443,600 S * 6/2001 Ogawa D14/138
D444,134 S * 6/2001 Aihara D14/138
D445,770 S * 7/2001 Yang D14/138
D446,197 S * 8/2001 Lee D14/138
D447,126 S * 8/2001 Carvalho D14/138
D447,127 S * 8/2001 Lee D14/138
D447,468 S * 9/2001 Nakahara et al. D14/138
D449,588 S * 10/2001 Park D14/138
D451,897 S * 12/2001 Hiroko D14/138
D455,134 S * 4/2002 Kolinen D14/138
D456,377 S * 4/2002 Miyazawa et al. D14/138
D458,595 S * 6/2002 Yin et al. D14/138
D459,325 S * 6/2002 Nakahara D14/138
D459,328 S * 6/2002 Kurimoto D14/138
D460,057 S * 7/2002 Hunt D14/138
D464,940 S * 10/2002 Jung D14/138
6,480,726 B1 * 11/2002 Sato et al. 455/566
D467,918 S * 12/2002 Fitch et al. D14/347
D468,280 S * 1/2003 Kim et al. D14/138
D468,281 S * 1/2003 Taniguchi et al. D14/138

Related U.S. Application Data

(62) Division of application No. 29/162,225, filed on Jun. 12, 2002.
(51) **LOC (7) Cl.** **14-03**
(52) **U.S. Cl.** **D14/138**
(58) **Field of Search** D14/137, 138, D14/218, 147-148, 247-248, 144, 341-347; 379/433.01-433.13, 419, 434, 428.01-428.04, 420.01-420.04, 440; 455/550.1-90.3; D21/517

* cited by examiner

Primary Examiner—Jeffrey Asch
(74) *Attorney, Agent, or Firm*—Procopio, Cory, Hargreaves & Savitch, LLP

(56) **References Cited**

U.S. PATENT DOCUMENTS

D406,135 S * 2/1999 Nagano et al. D14/138
D407,701 S * 4/1999 Chintala et al. D14/138
D407,719 S * 4/1999 Nagano et al. D14/138
D407,722 S * 4/1999 Nagano et al. D14/138
D408,032 S * 4/1999 Nagano et al. D14/138
D411,994 S * 7/1999 Nakahara et al. D14/138
D413,884 S * 9/1999 Ogawa D14/138
D415,489 S * 10/1999 Ke D14/138
D417,213 S * 11/1999 Meyer D14/138
D421,005 S * 2/2000 Lucaci et al. D14/138
6,084,962 A * 7/2000 Plenge 379/433
D428,867 S * 8/2000 Komuta D14/138
D430,858 S * 9/2000 Nakahara et al. D14/138
D433,397 S * 11/2000 Ogawa D14/138
D434,741 S * 12/2000 Park D14/138
D434,742 S * 12/2000 Elkins et al. D14/138

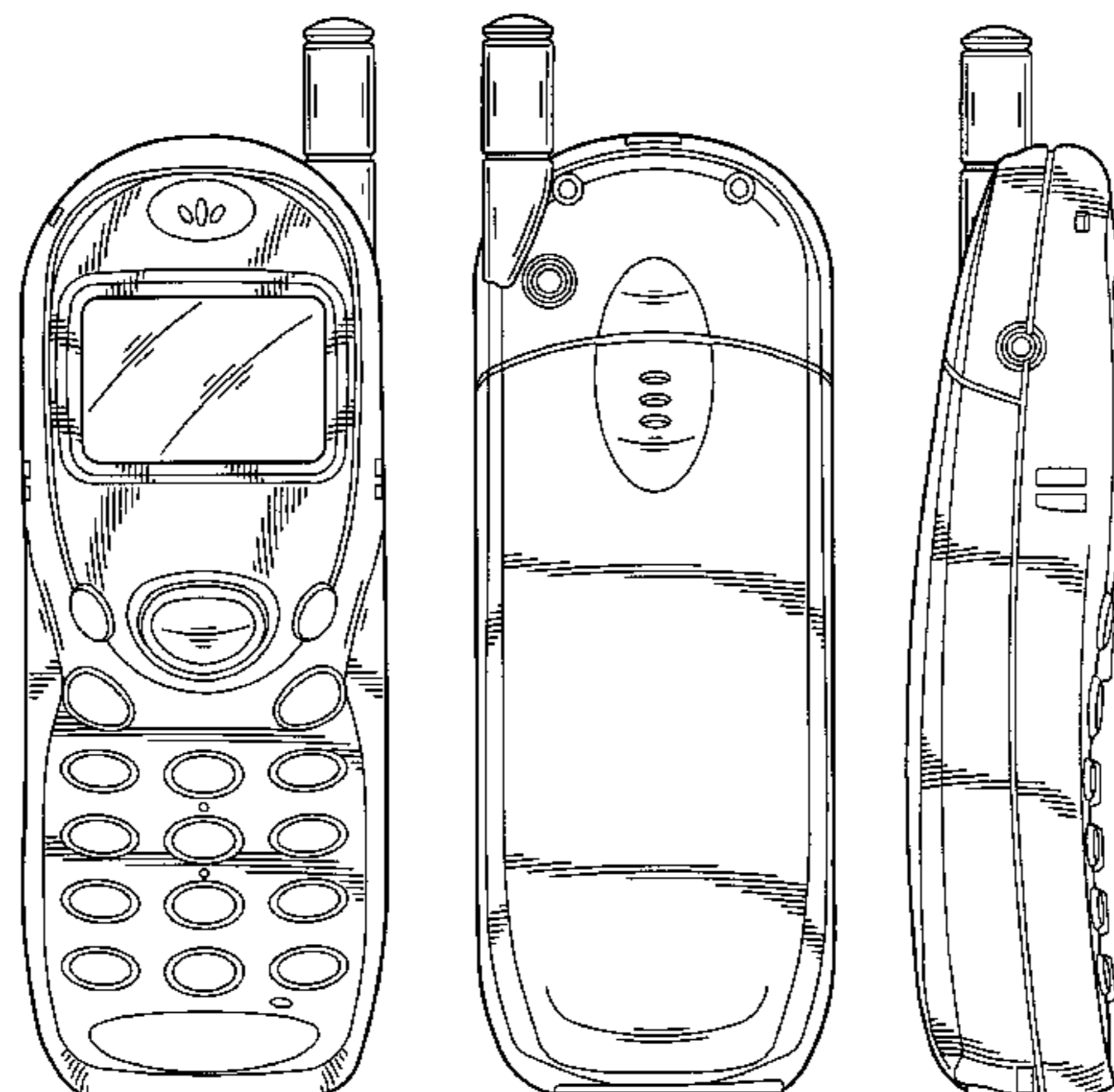
(57) **CLAIM**

The ornamental design for a wireless communication device, as shown and described.

DESCRIPTION

FIG. 1 is a front perspective view of an embodiment of the wireless communication device;
FIG. 2 is a rear perspective view thereof;
FIG. 3 is a front elevational view thereof;
FIG. 4 is a top plan view thereof;
FIG. 5 is a rear elevational view thereof;
FIG. 6 is a bottom plan view thereof;
FIG. 7 is a left side elevational view thereof; and,
FIG. 8 is a right side elevational view thereof.

1 Claim, 3 Drawing Sheets



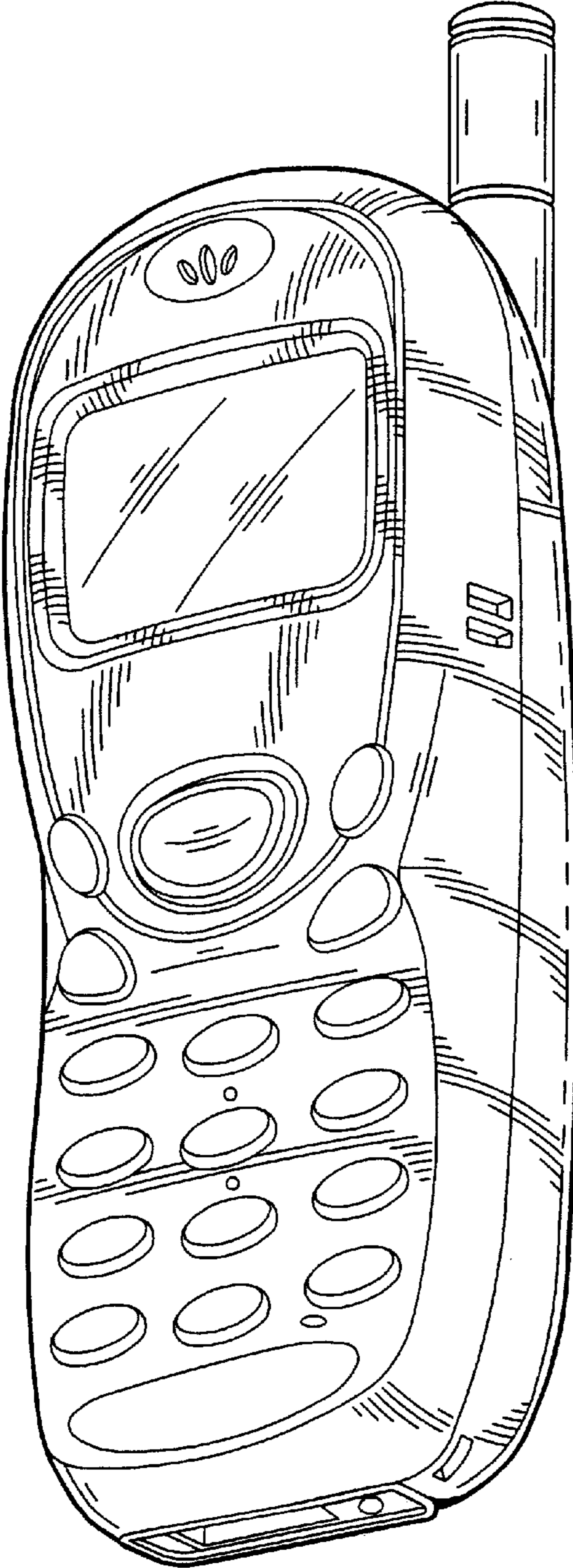


FIG. 1

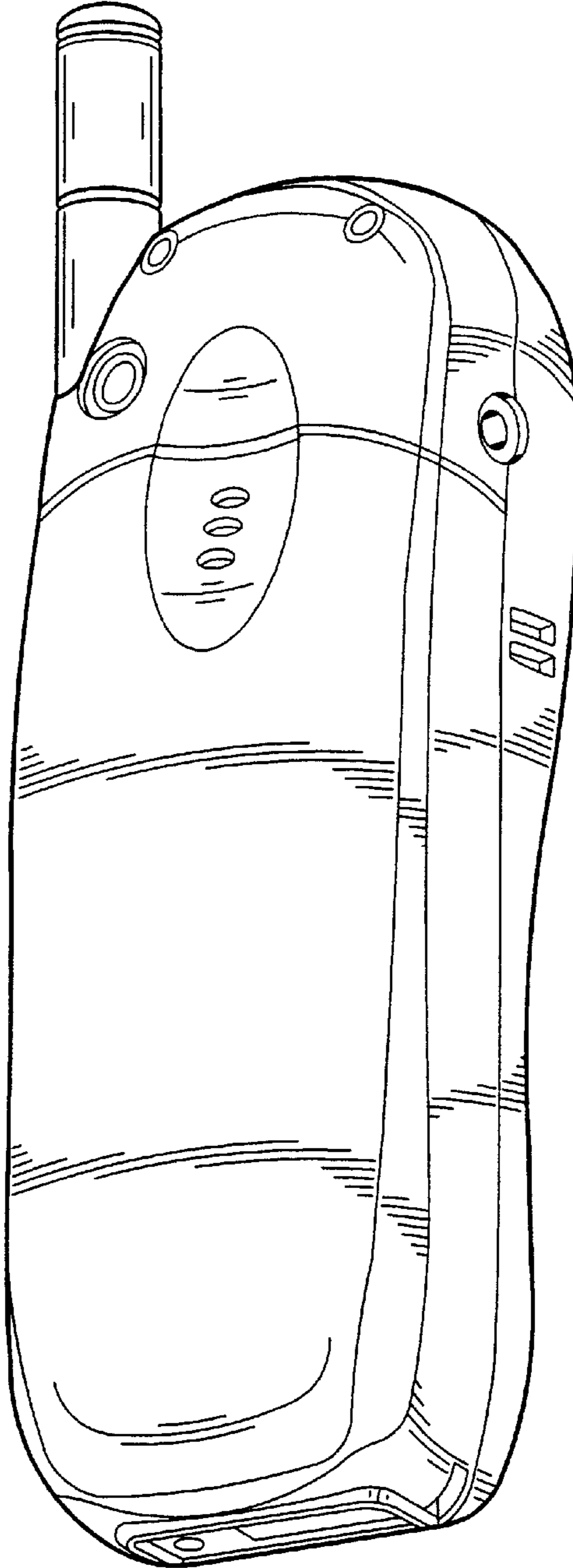


FIG. 2

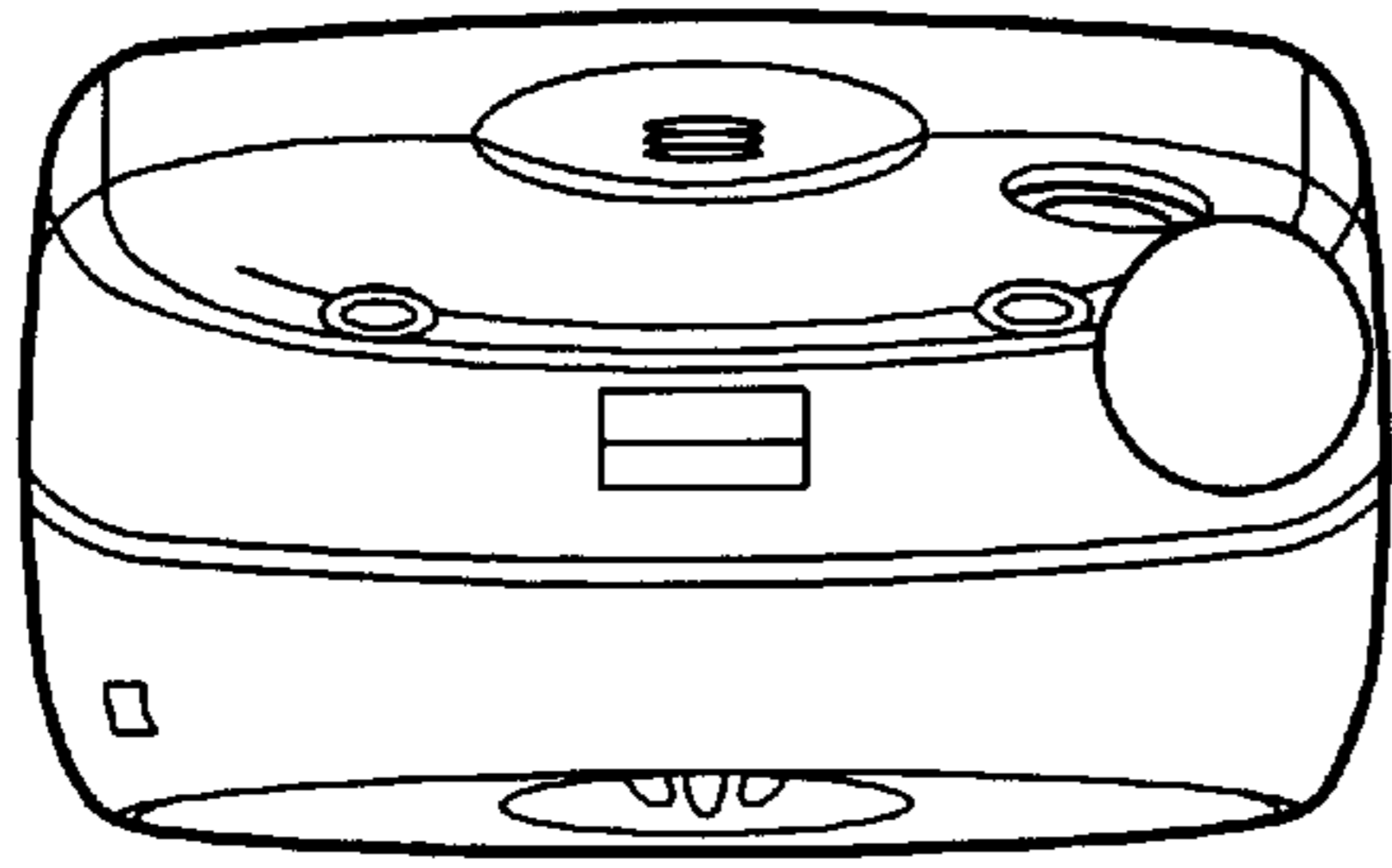


FIG. 4

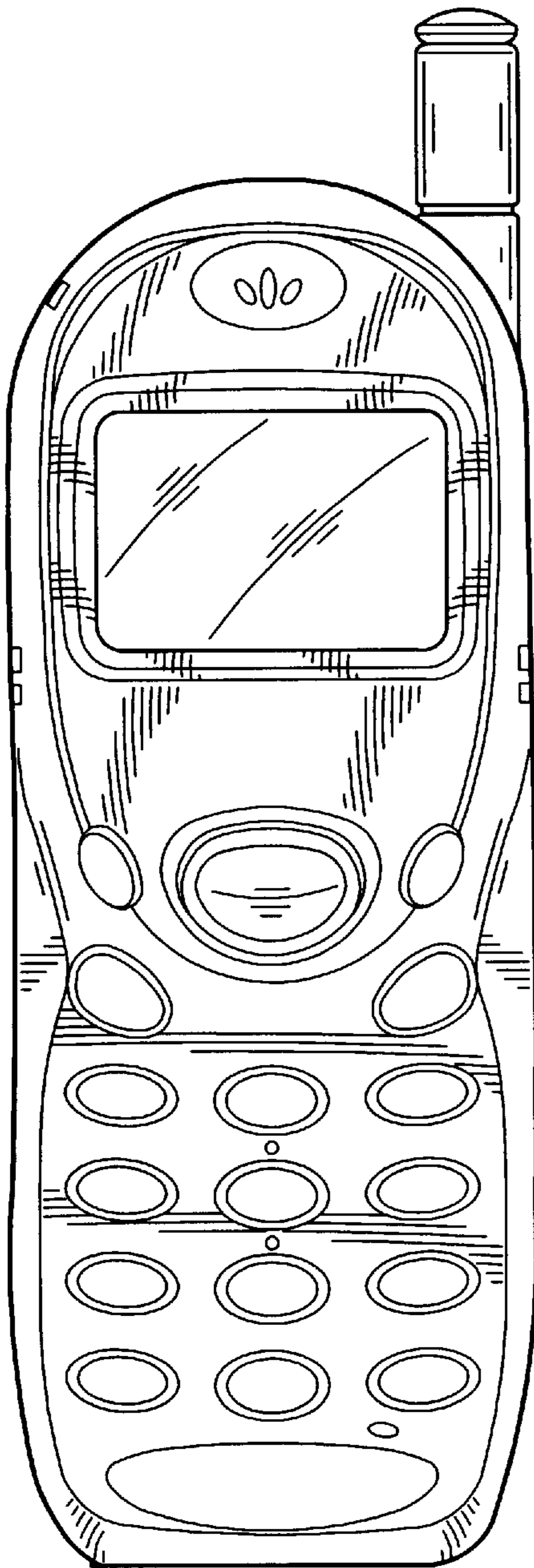


FIG. 3

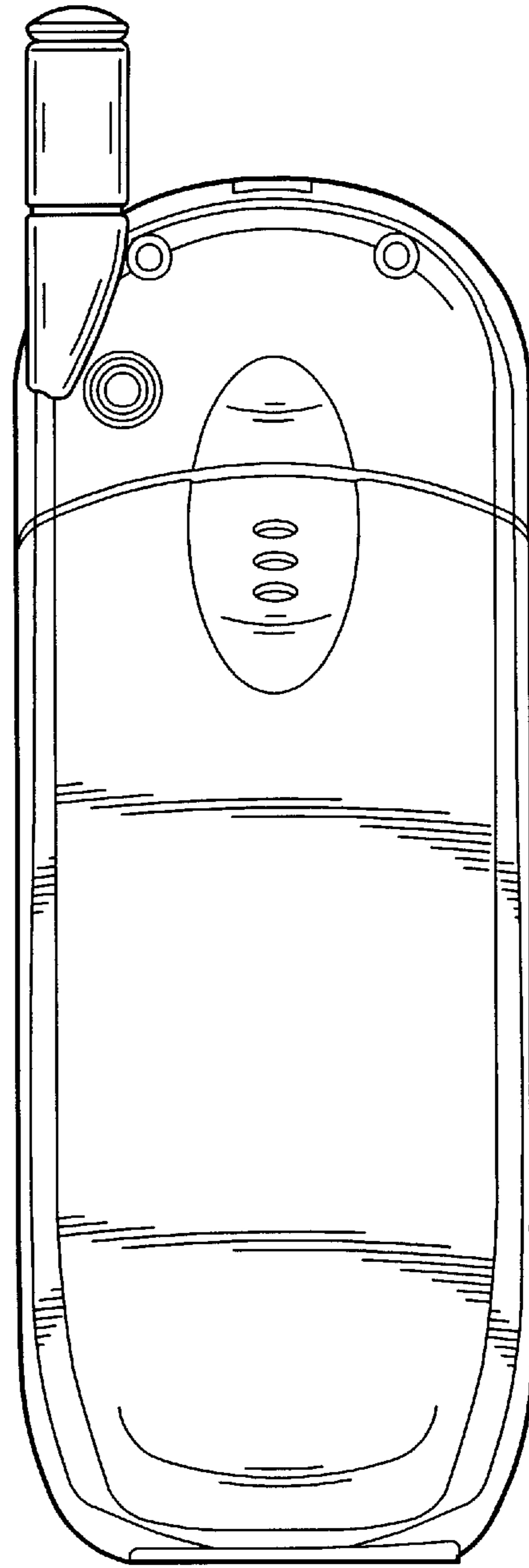


FIG. 5

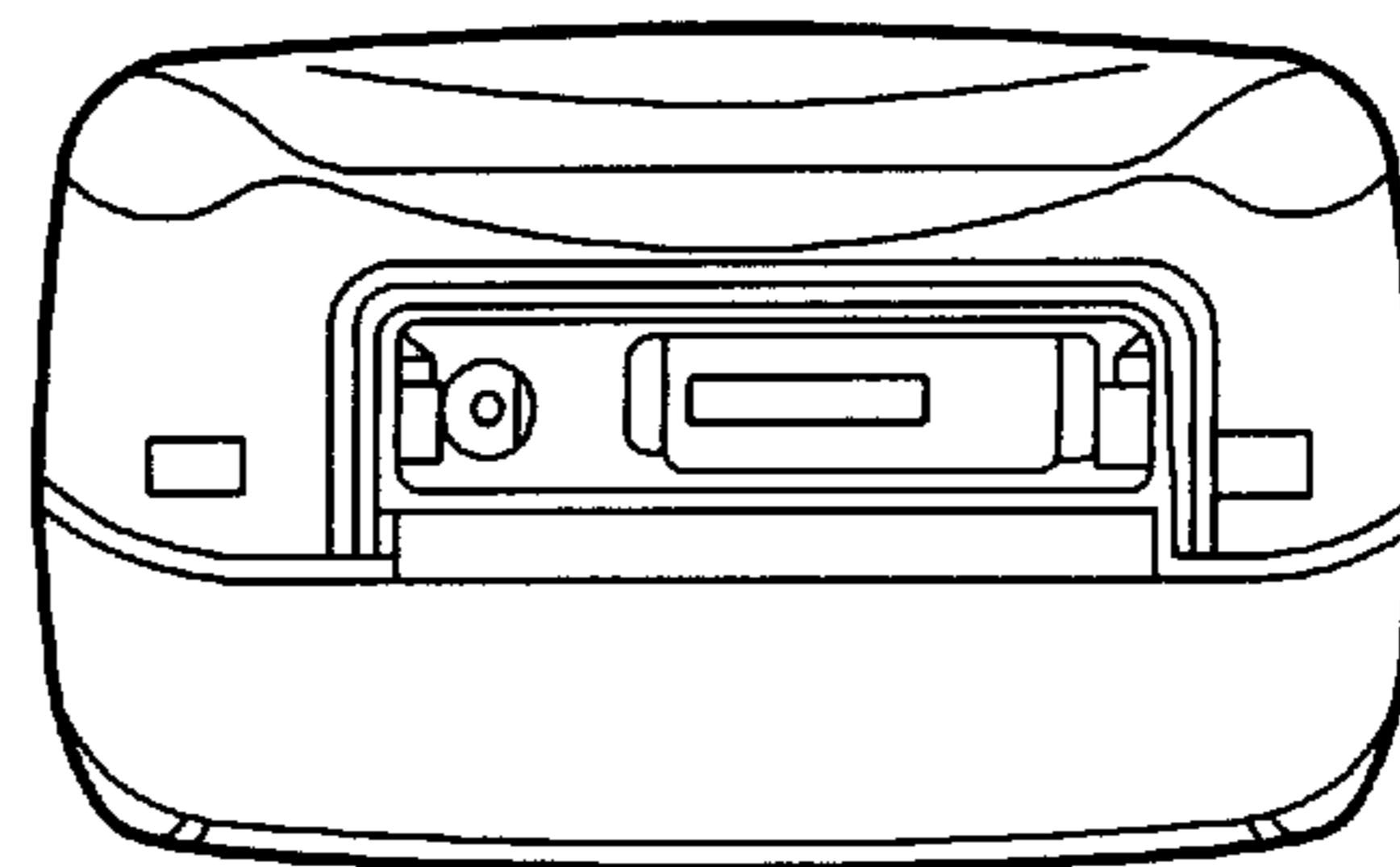


FIG. 6

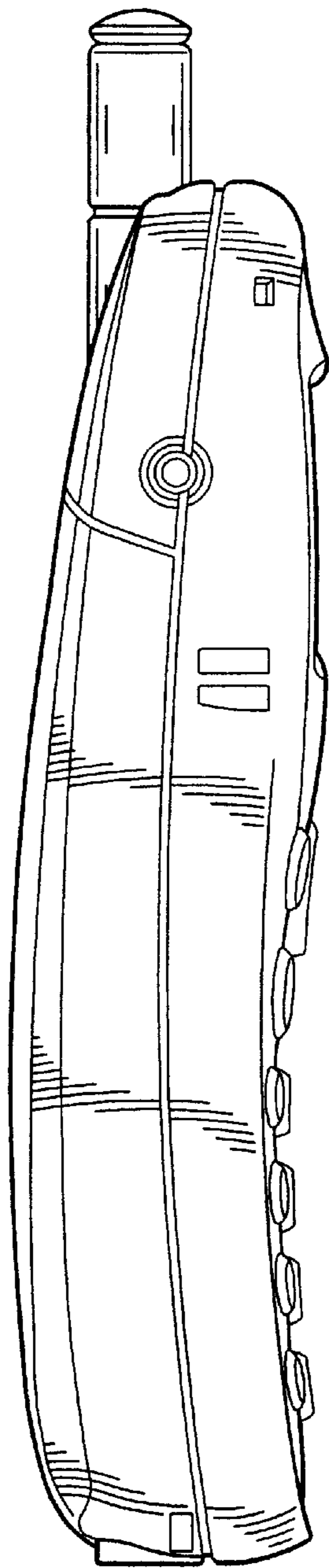


FIG. 7

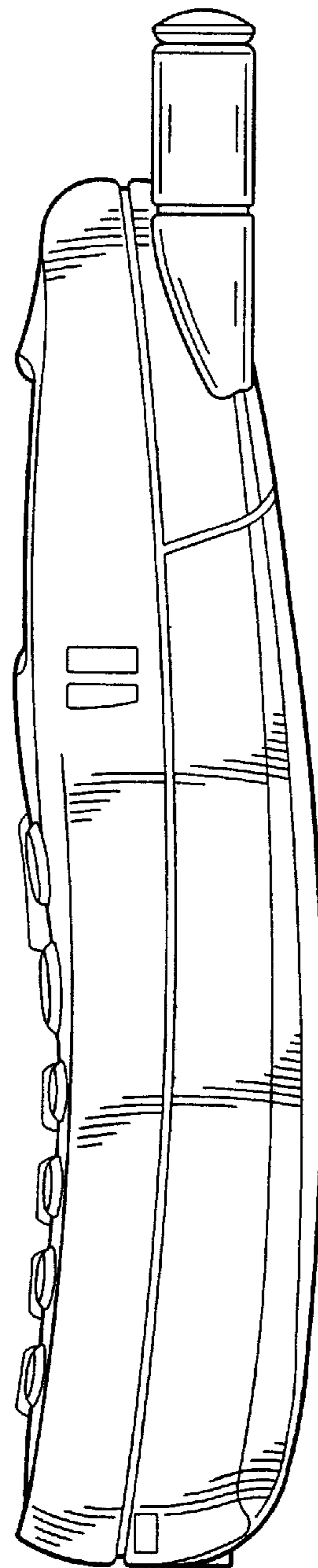


FIG. 8