

US00D494549S1

(12) **United States Design Patent** (10) **Patent No.:** **US D494,549 S**
Lee (45) **Date of Patent:** **** Aug. 17, 2004**

(54) **SUPPORTING BLOCK OF VGA CHIPSET COOLING DEVICE**

(75) Inventor: **Sang-cheol Lee**, Kunpo-si (KR)

(73) Assignee: **Zalman Tech Co., Ltd.**, Seoul (KR)

(**) Term: **14 Years**

(21) Appl. No.: **29/179,723**

(22) Filed: **Apr. 14, 2003**

(51) **LOC (7) Cl.** **13-03**

(52) **U.S. Cl.** **D13/179**

(58) **Field of Search** D8/349, 354, 355,
D8/373, 380; D13/179; D23/323; D25/119,
120, 121, 123, 124, 125; 257/717, 718;
361/683, 686, 687, 690, 694, 697, 700,
704, 707, 714, 825

(56) **References Cited**

U.S. PATENT DOCUMENTS

5,959,837	A	*	9/1999	Yu	361/697
6,366,461	B1	*	4/2002	Pautsch et al.	361/690
6,522,542	B1	*	2/2003	Gordon et al.	361/704
6,646,879	B2	*	11/2003	Pautsch	361/699
D484,468	S	*	12/2003	Lee	D13/179
D485,241	S	*	1/2004	Lee	D13/179
6,672,380	B2	*	1/2004	Wei	165/185
6,680,849	B2	*	1/2004	Atkinson et al.	361/719

* cited by examiner

Primary Examiner—James Gandy

Assistant Examiner—Elizabeth Albert

(74) *Attorney, Agent, or Firm*—St. Onge Steward Johnston & Reens LLC

(57) **CLAIM**

I claim the ornamental design for a supporting block of VGA chipset cooling device, as shown and described.

DESCRIPTION

FIG. 1 is a perspective view of a supporting block of VGA chipset cooling device according to the present design.

FIG. 2 is a front view of the supporting block according to the present invention; the rear view of the supporting block is a mirror image of FIG. 2.

FIG. 3 is a right side view of the supporting block according to the present invention; the left side view of the supporting block is a mirror image of FIG. 3.

FIG. 4 is a top plan view of the supporting block according to the present invention

FIG. 5 is a bottom plan view of the supporting block according to the present invention; and,

FIG. 6 is a perspective view illustrating use of the supporting block according to the present invention shown on a smaller scale.

The broken lines showing environment in the drawings are for illustrative purposes only and form no part of the claimed design.

1 Claim, 4 Drawing Sheets

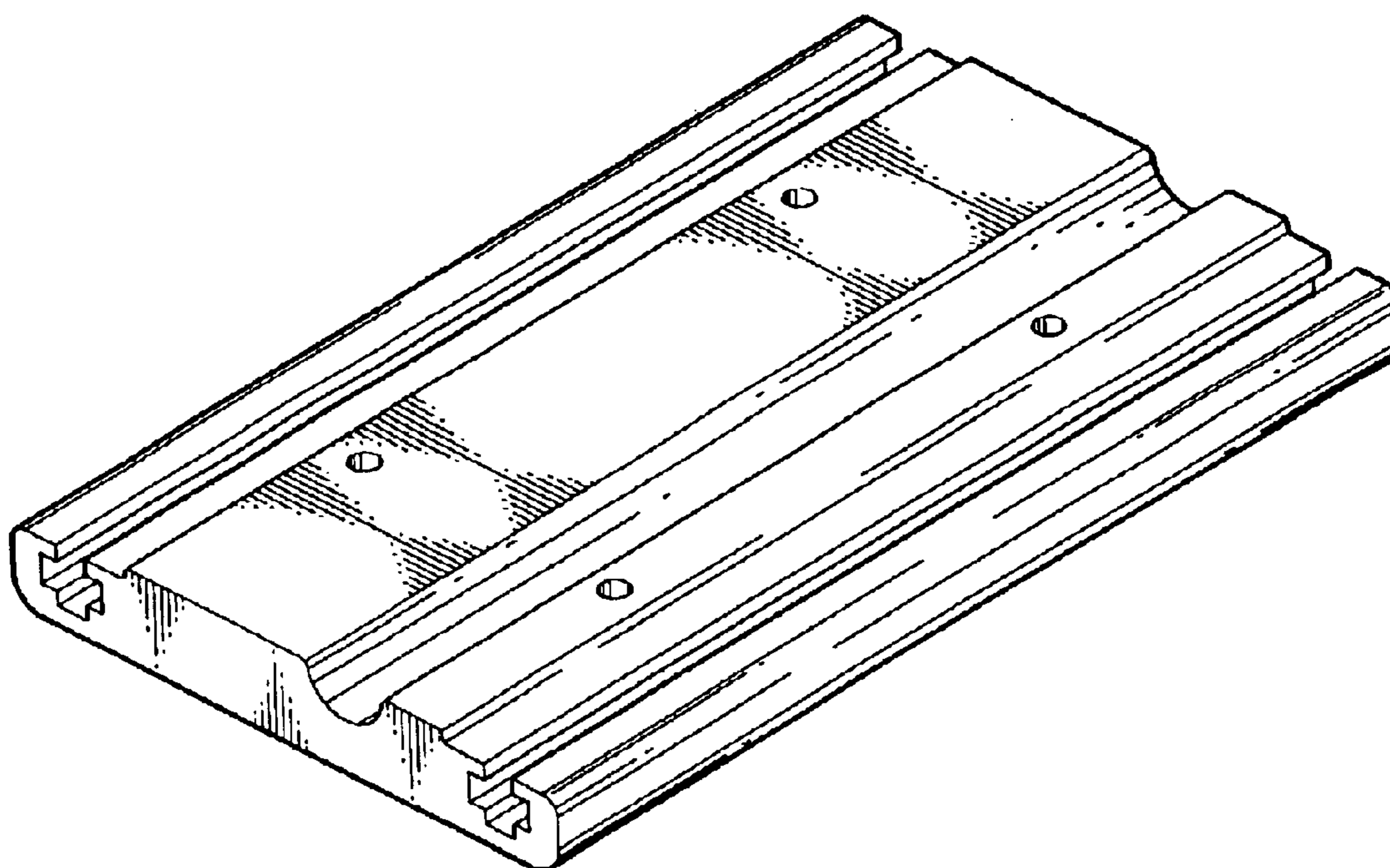


FIG. 1

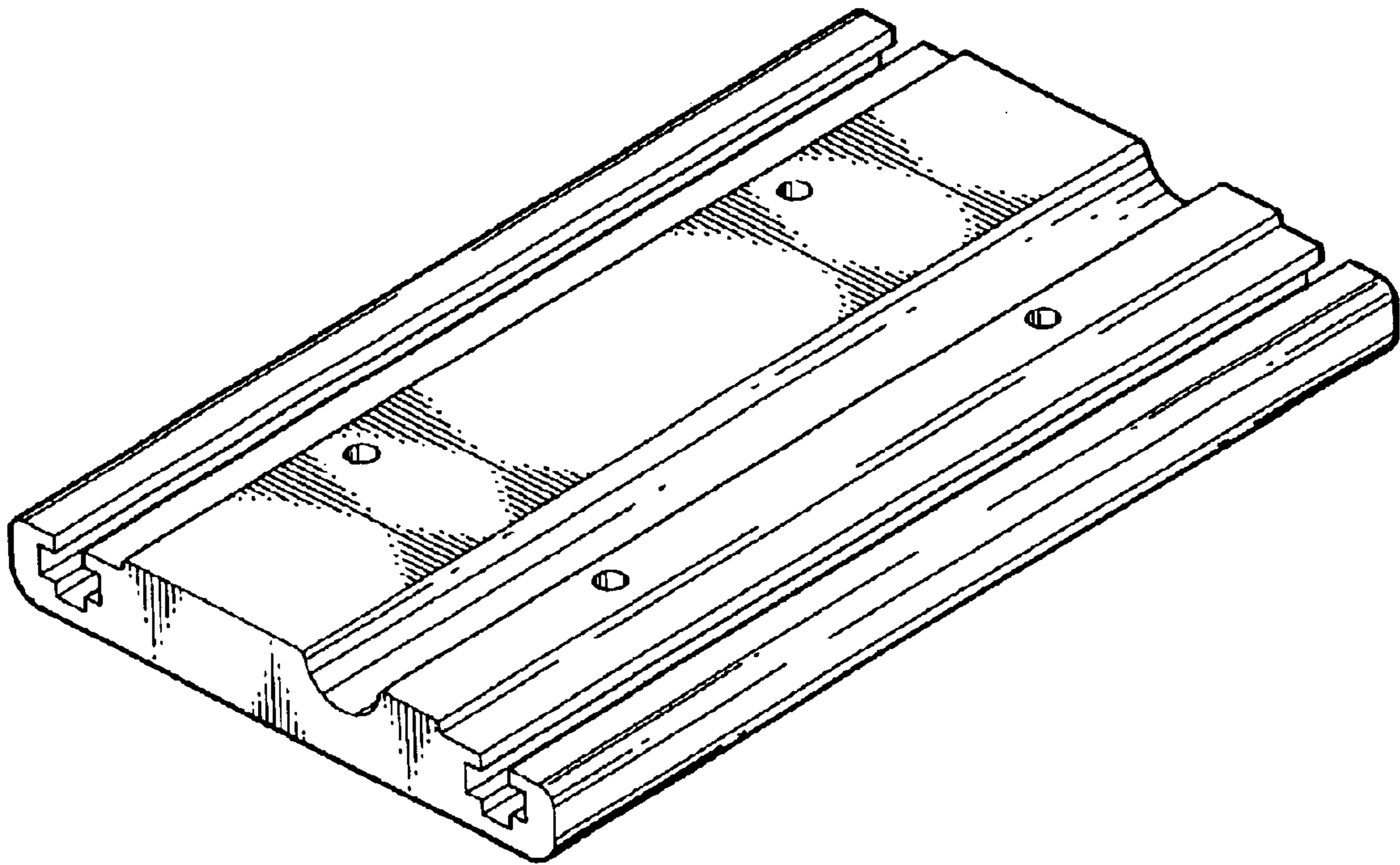


FIG. 2

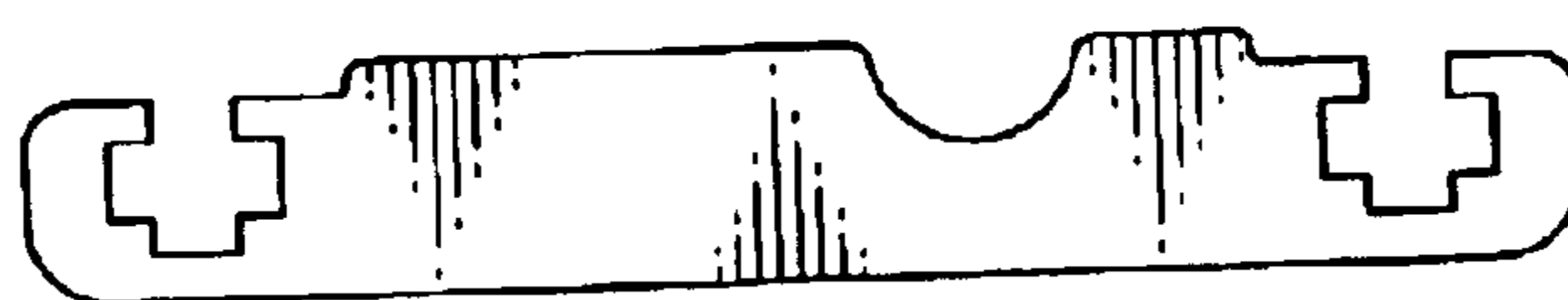


FIG. 3

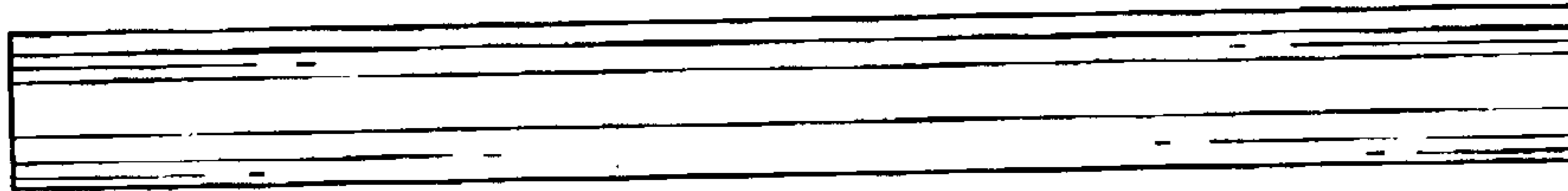


FIG. 4

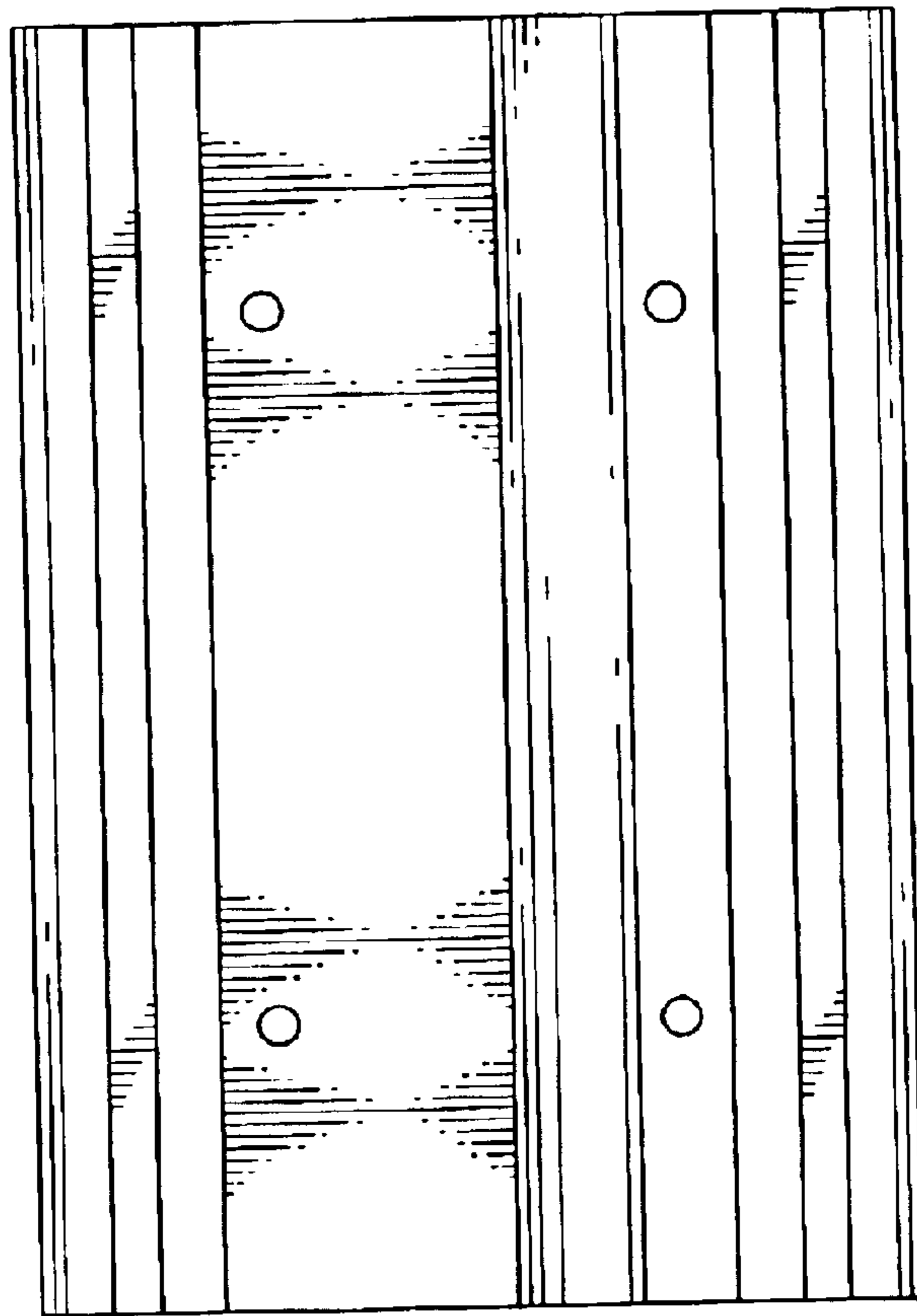


FIG. 5

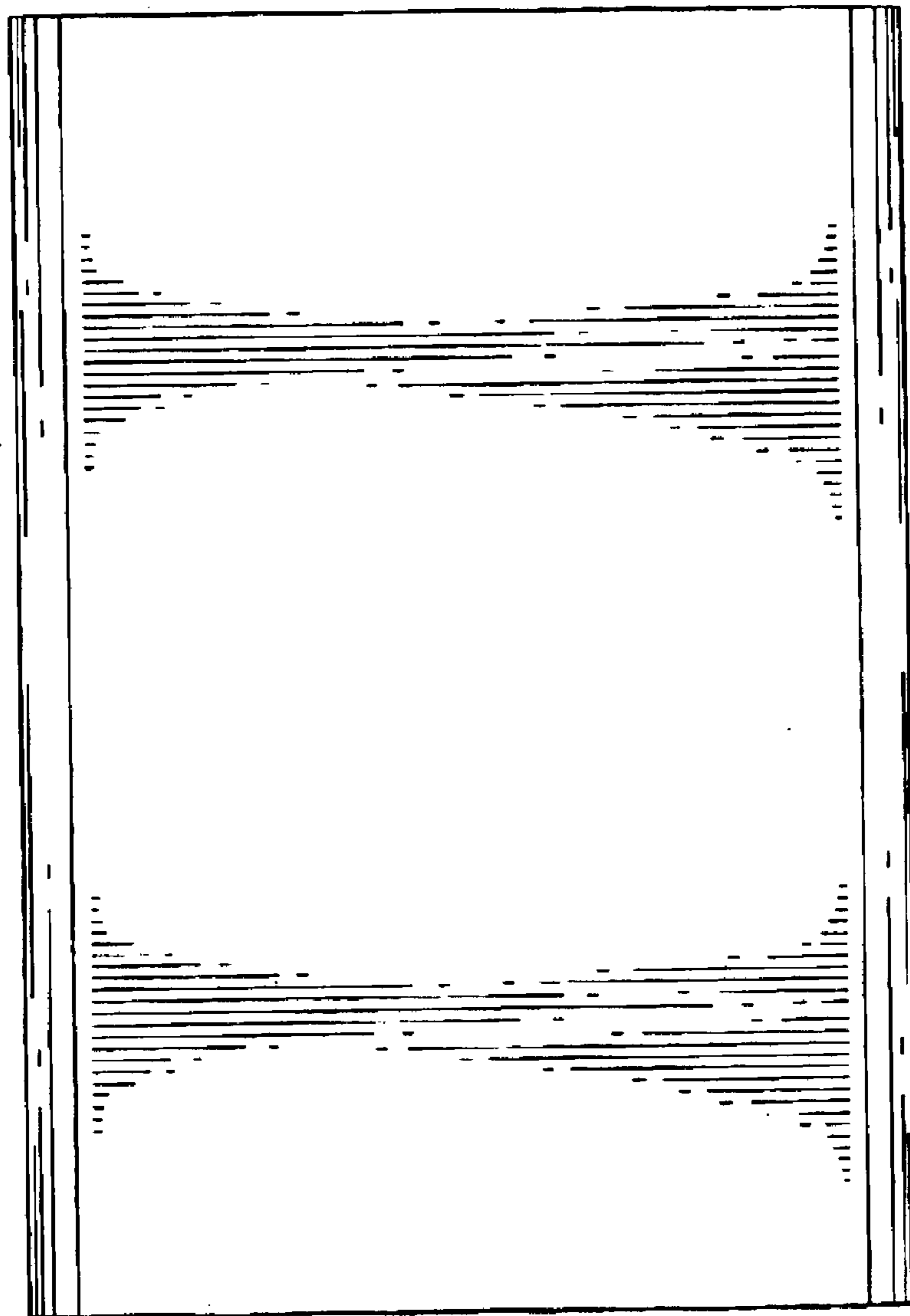


FIG. 6

