

US00D494548S1

(12) **United States Design Patent**
Tsai et al.

(10) **Patent No.:** **US D494,548 S**

(45) **Date of Patent:** **** Aug. 17, 2004**

(54) **FRAME FOR A COOLING FAN**
(75) Inventors: **Fu-Hau Tsai**, Keelung (TW); **Tsung-Yu Lei**, Taipei (TW); **Kuo-Cheng Lin**, Taoyuan (TW); **Wen-Shi Huang**, Jungli (TW)

(73) Assignee: **Delta Electronics, Inc.**, Taoyuan Hsien (TW)

(**) Term: **14 Years**

(21) Appl. No.: **29/163,330**

(22) Filed: **Jul. 1, 2002**

(51) **LOC (7) Cl.** **13-03**

(52) **U.S. Cl.** **D13/179**

(58) **Field of Search** D13/179; 165/80.3, 165/104.33, 121, 122, 146, 185; 257/670, 675, 676, 697, 706, 707, 712, 718, 719, 720, 721, 722; 361/695, 697, 699, 702, 704, 709, 514

(56) **References Cited**

U.S. PATENT DOCUMENTS

D434,394 S * 11/2000 Hsieh D13/179

6,519,153 B1 * 2/2003 Shia et al. 361/704
6,525,938 B1 * 2/2003 Chen 361/695
6,637,501 B2 * 10/2003 Lin et al. 165/80.3
6,652,223 B1 * 11/2003 Horng et al. 415/53.1

* cited by examiner

Primary Examiner—Philip S. Hyder

Assistant Examiner—Selina Sikder

(74) *Attorney, Agent, or Firm*—Birch, Stewart, Kolasch & Birch, LLP

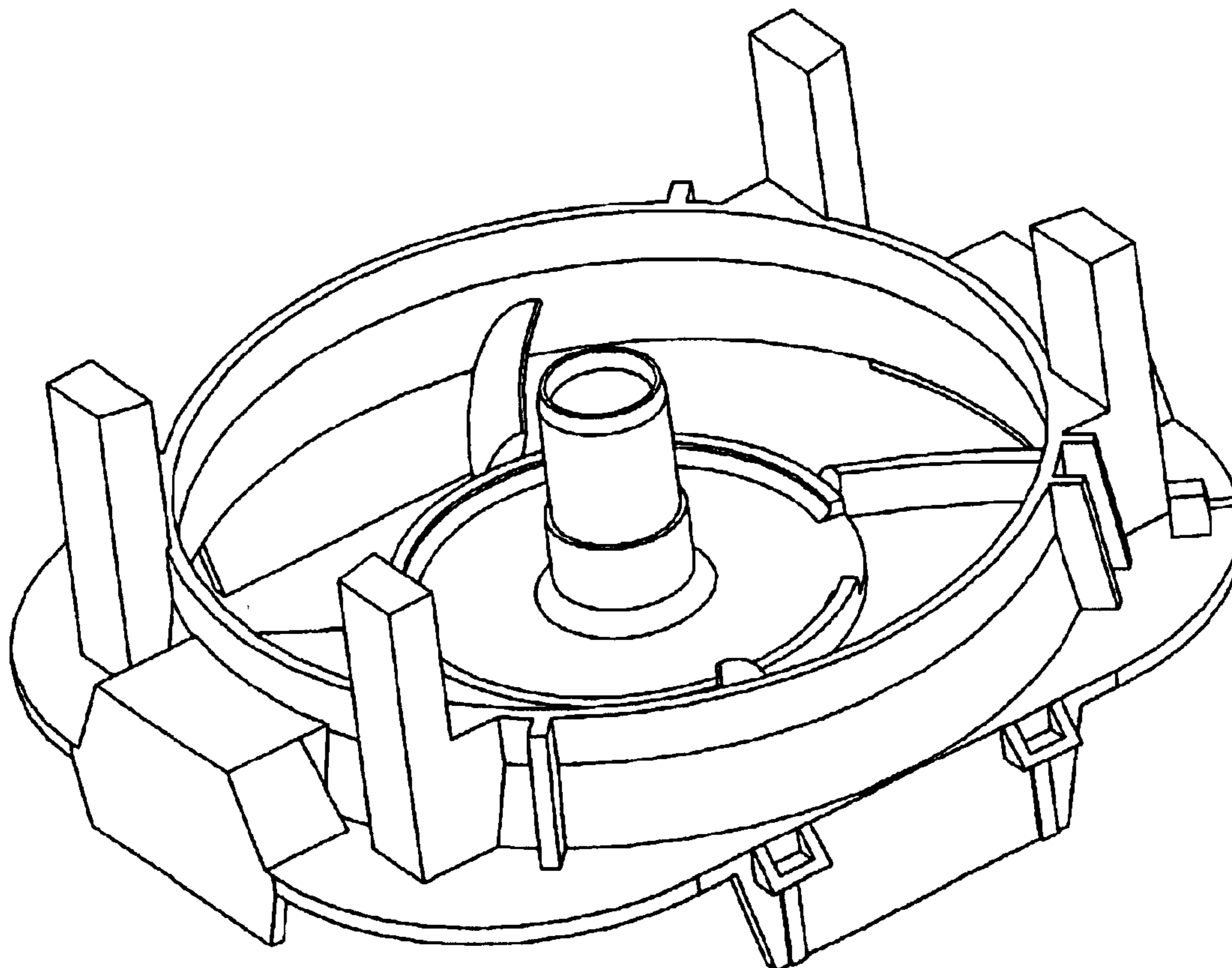
(57) **CLAIM**

The ornamental design for a frame for a cooling fan, as shown and described herein.

DESCRIPTION

FIG. 1 is a perspective view of a frame for a cooling fan showing our new design;
FIG. 2 is a right side view thereof;
FIG. 3 is a top view thereof;
FIG. 4 is a front view thereof;
FIG. 5 is a bottom view thereof;
FIG. 6 is a left side view thereof; and,
FIG. 7 is a rear view thereof.

1 Claim, 5 Drawing Sheets



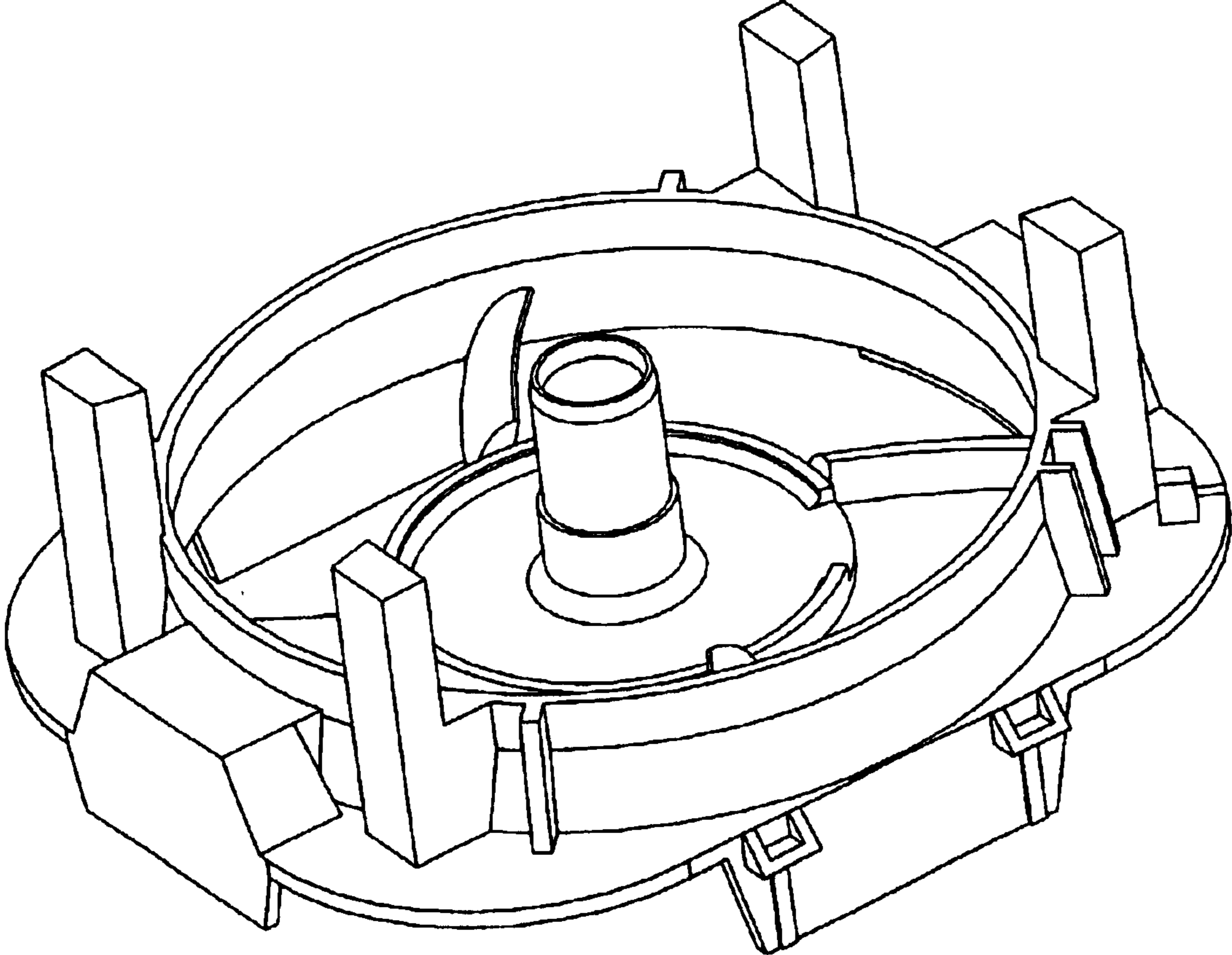


Fig. 1

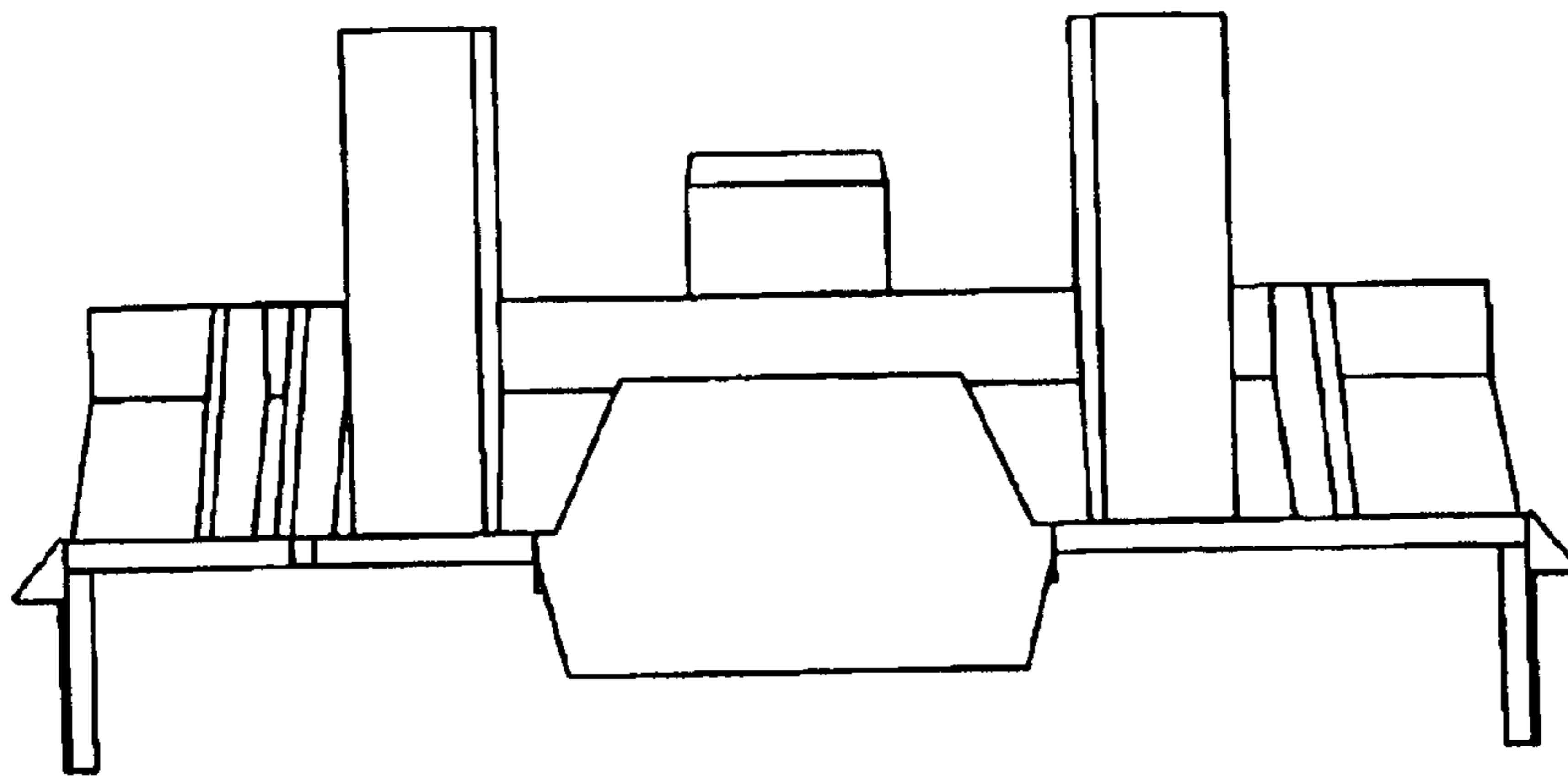


Fig. 2

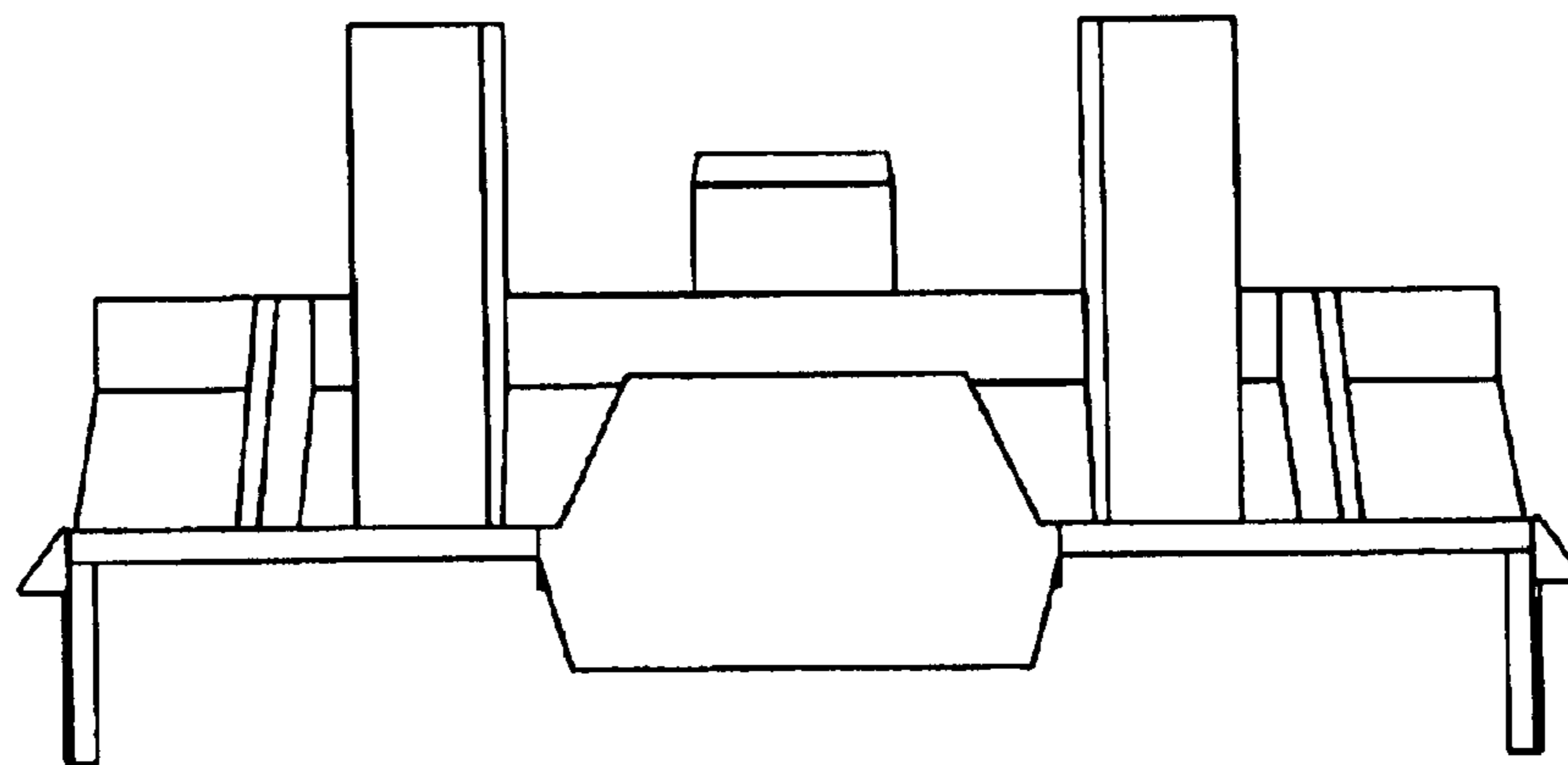


Fig. 6

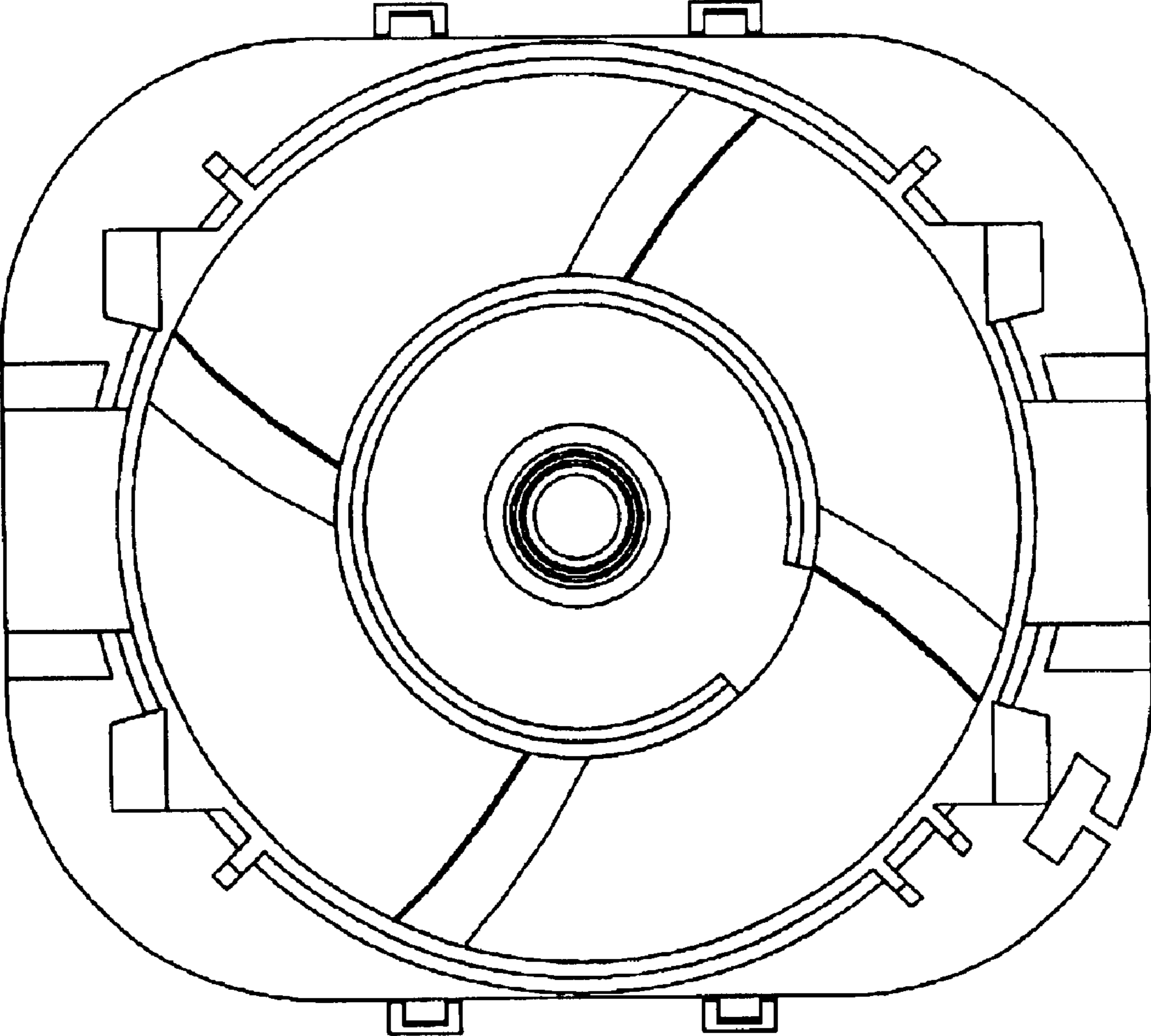


Fig. 3

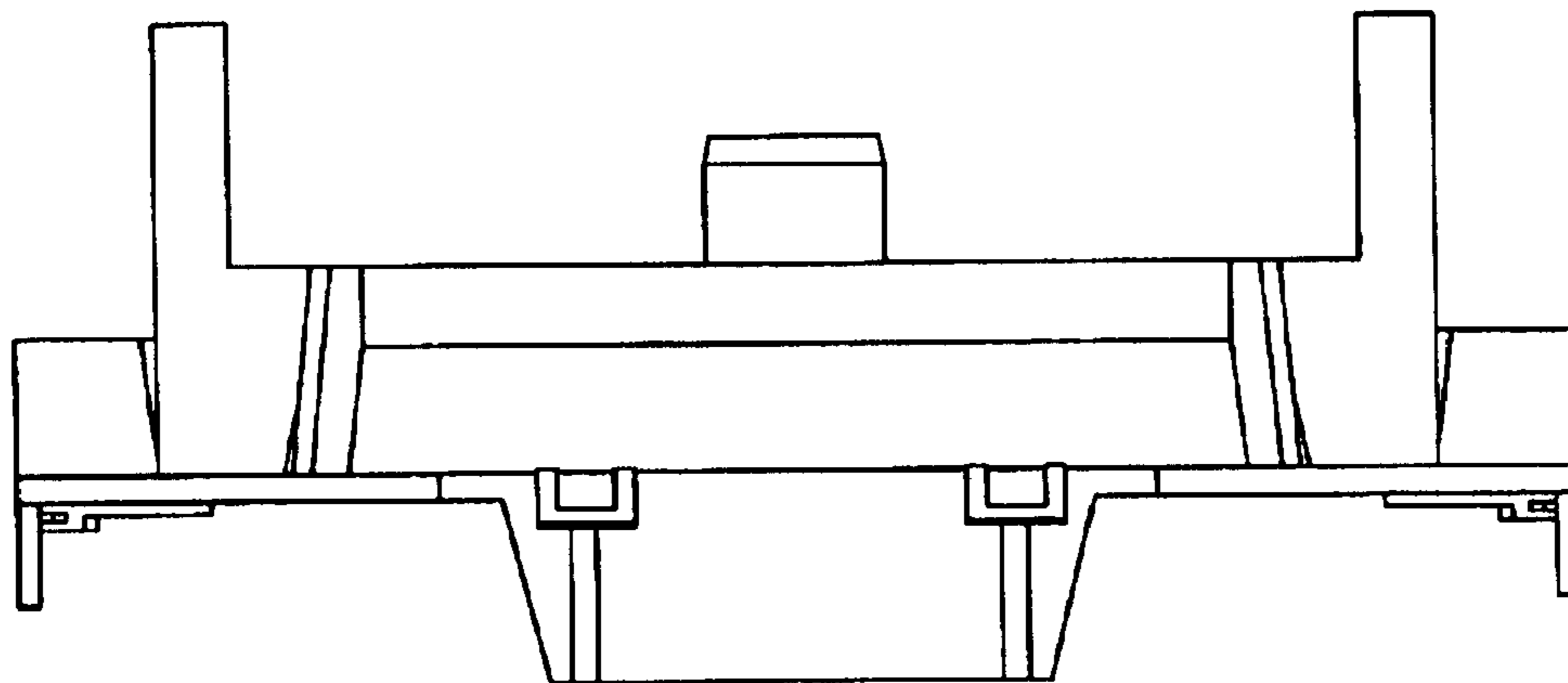


Fig. 4

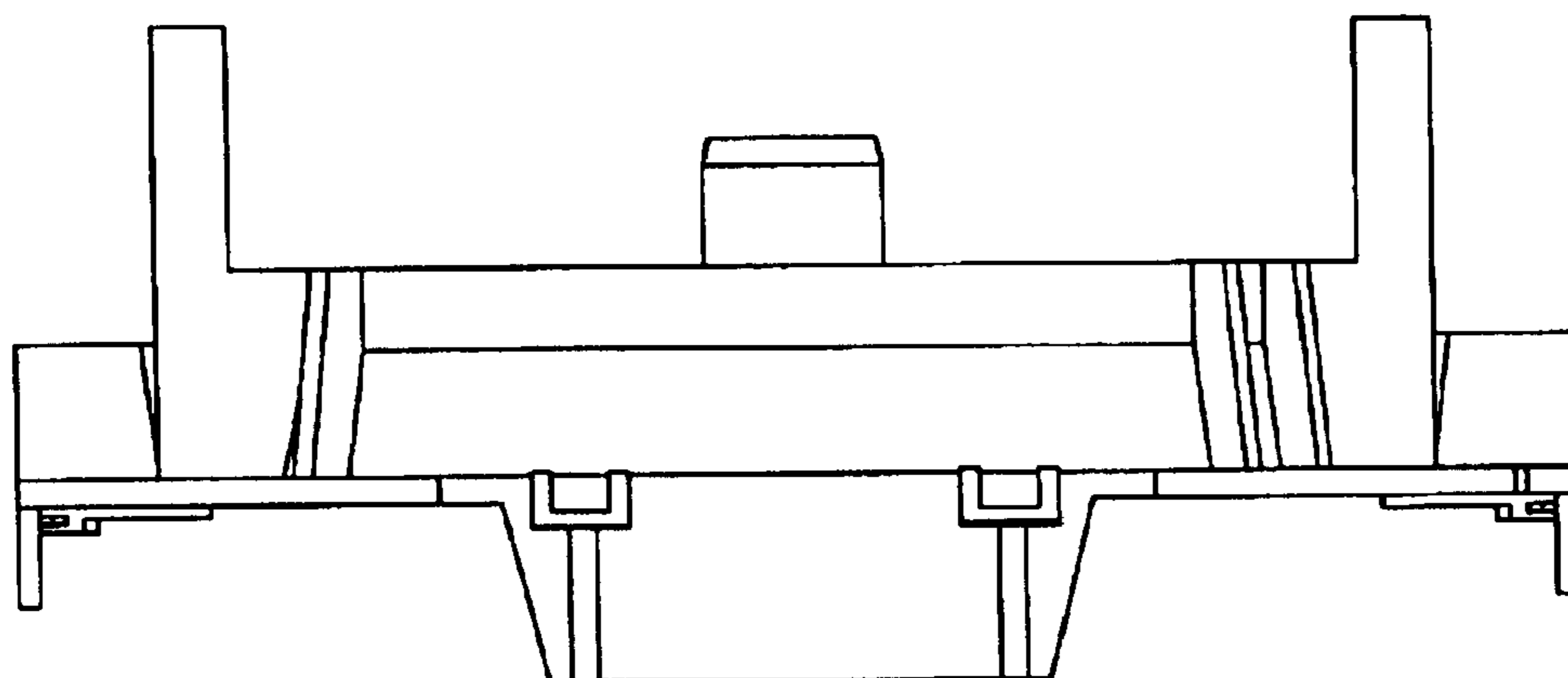


Fig. 7

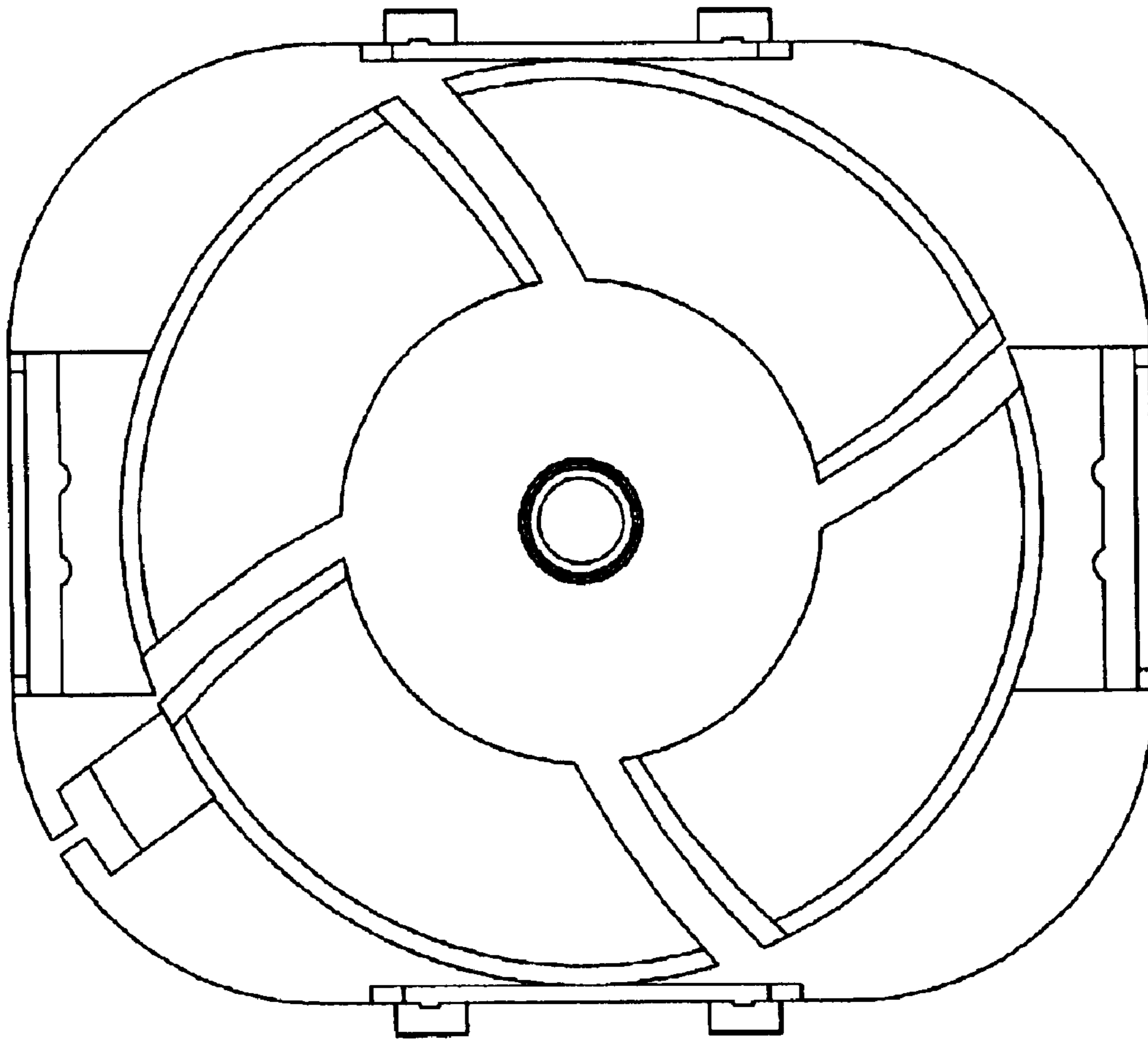


Fig. 5