

US00D494546S1

(12) **United States Design Patent**
Nurdoğan

(10) **Patent No.:** **US D494,546 S**

(45) **Date of Patent:** **** Aug. 17, 2004**

(54) **ELECTRICAL CONTACTOR**

6,297,717 B1 * 10/2001 Heckenkamp 335/132

(75) **Inventor:** **Mustafa Nurdoğan, Adapazari (TR)**

* cited by examiner

(73) **Assignee:** **Federal Elektrik Yatirim Ve Ticaret A.S., Adapazari (TR)**

Primary Examiner—Prabhakar Deshmukh

Assistant Examiner—Selina Sikder

(74) *Attorney, Agent, or Firm*—Arent Fox PLLC

(**) **Term:** **14 Years**

(57) **CLAIM**

(21) **Appl. No.:** **29/171,825**

The ornamental design for an electrical contactor, as shown and described.

(22) **Filed:** **Dec. 2, 2002**

DESCRIPTION

(51) **LOC (7) Cl.** **13-03**

(52) **U.S. Cl.** **D13/159**

(58) **Field of Search** D13/159; 200/280,
200/303, 293, 294, 297; 335/131, 132,
133, 202, 196, 262, 251

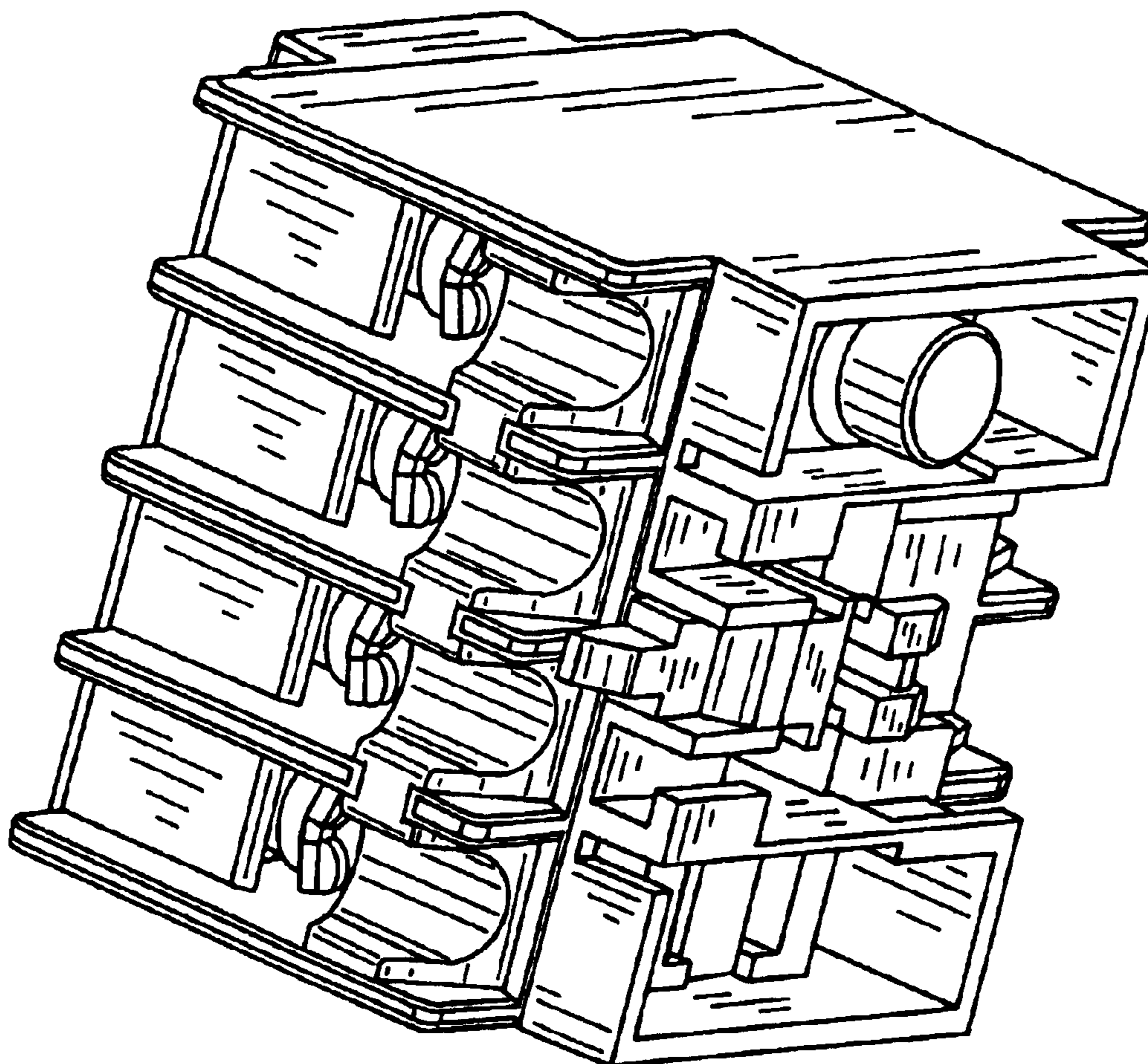
FIG. 1 is a front and top perspective view of the electrical contactor showing my new design; FIG. 2 is a rear and bottom perspective view thereof; FIG. 3 is a rear and top perspective view thereof; FIG. 4 is a rear view of the electrical contactor; FIG. 5 is a top plan view thereof; FIG. 6 is a front view of the electrical contactor; FIG. 7 is a right side view thereof; FIG. 8 is a bottom view thereof; and FIG. 9 is a left side view.

(56) **References Cited**

U.S. PATENT DOCUMENTS

4,899,120 A	*	2/1990	Ohtake et al.	335/132
D325,566 S	*	4/1992	Bouteiller	D13/159
D326,844 S	*	6/1992	Bouteiller	D13/159
D373,112 S	*	8/1996	Kim	D13/159

1 Claim, 9 Drawing Sheets



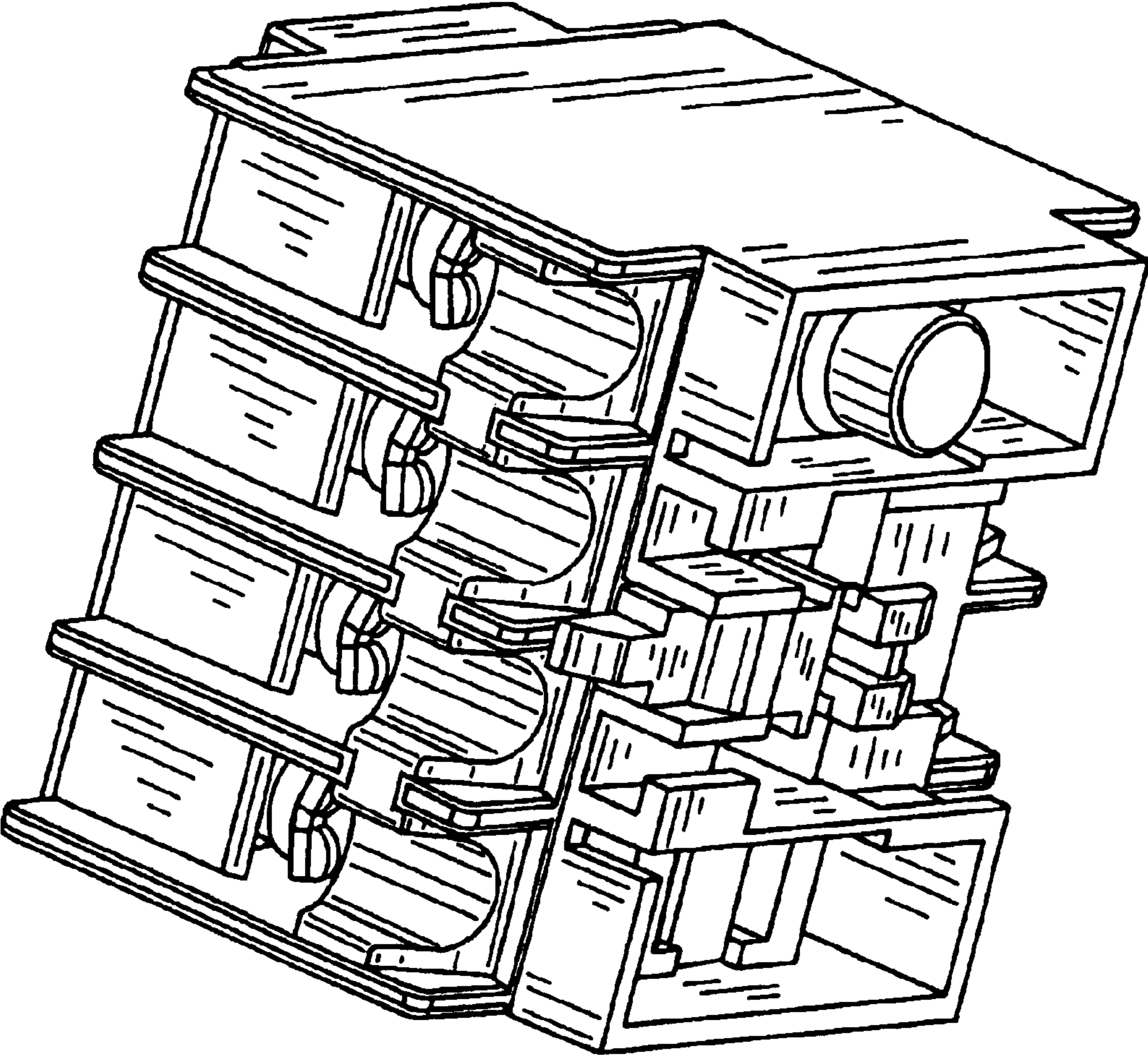


FIG. 1

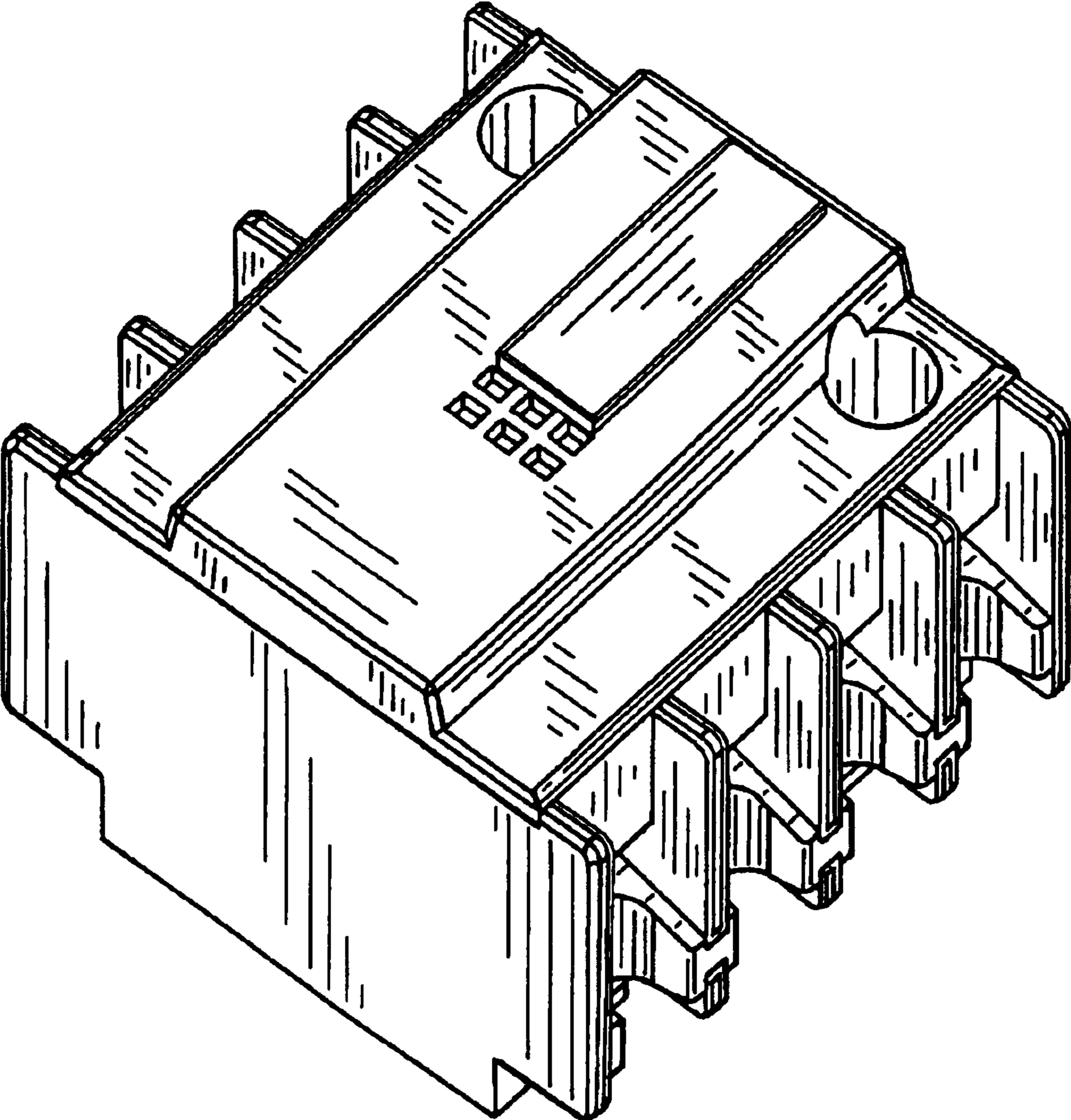


FIG.2

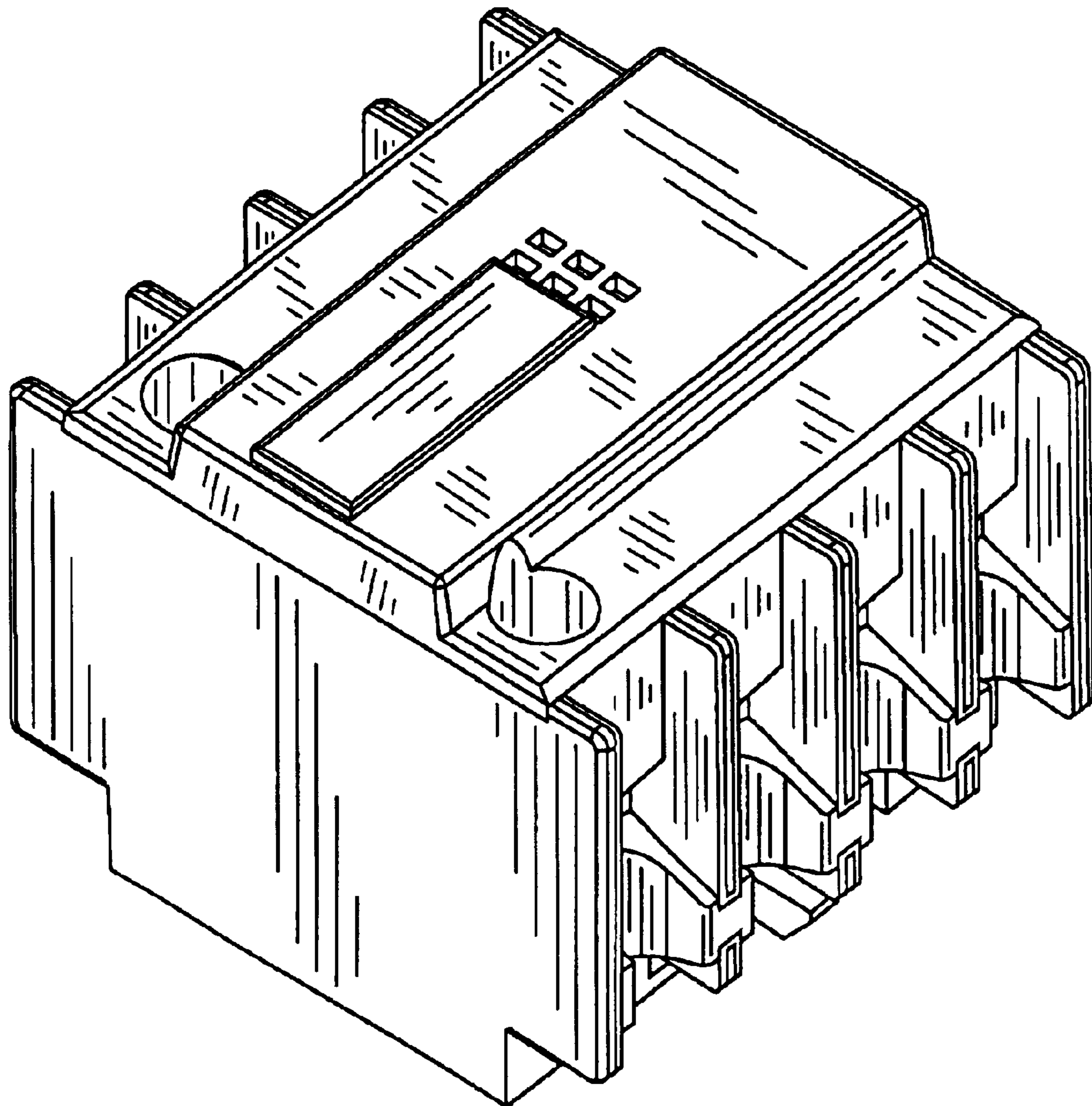


FIG.3

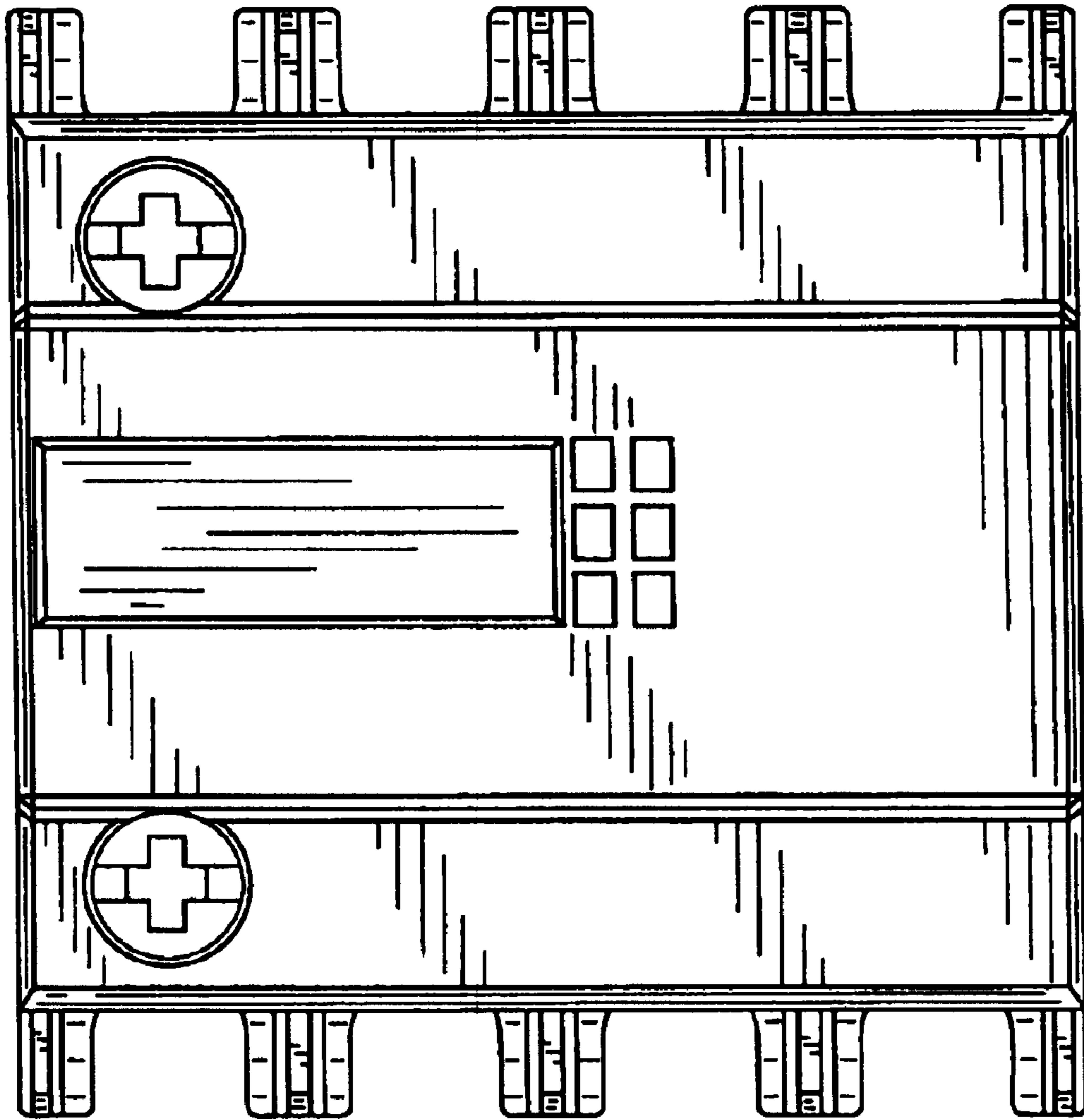


FIG.4

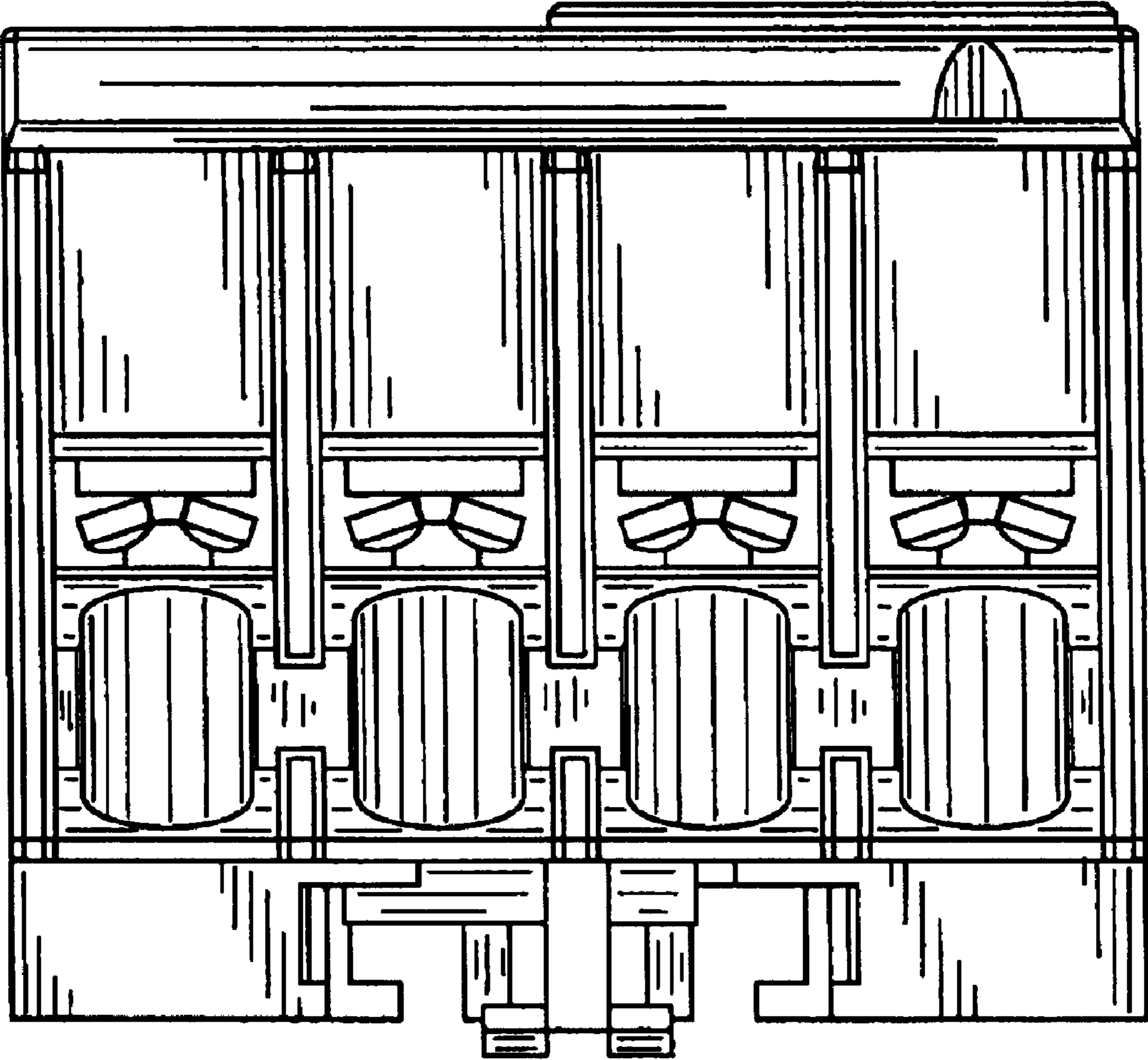


FIG.5

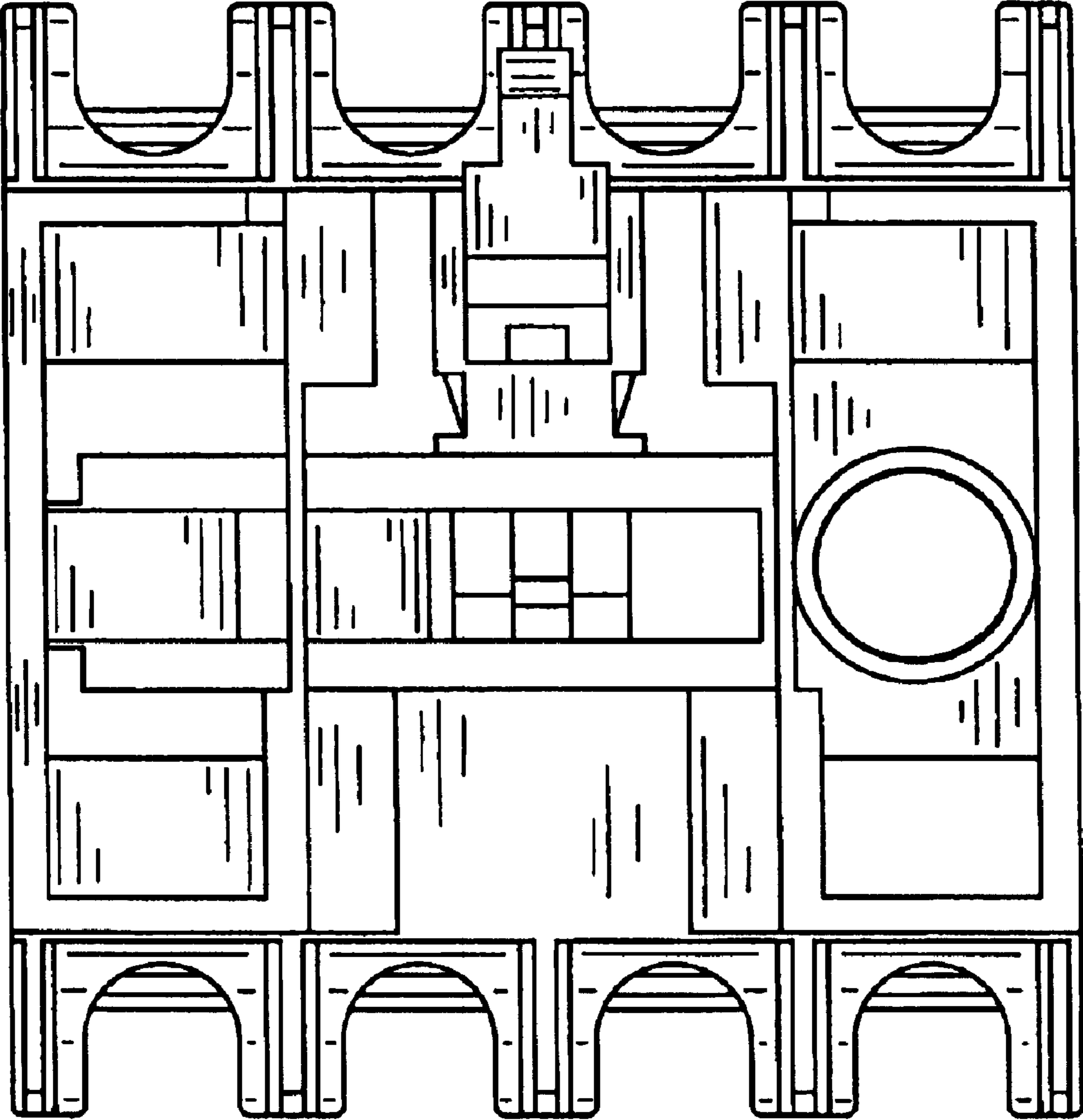


FIG. 6

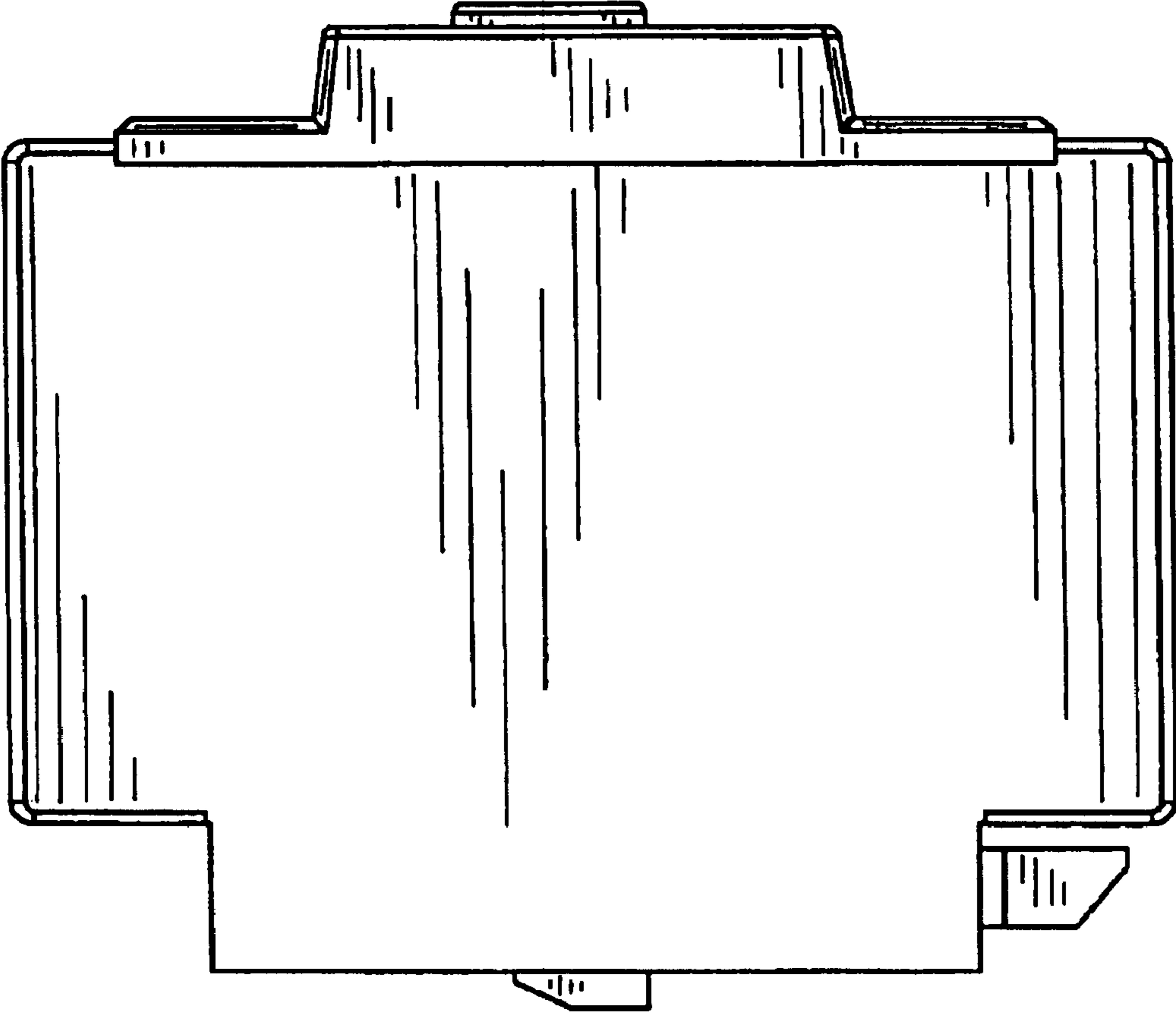


FIG.7

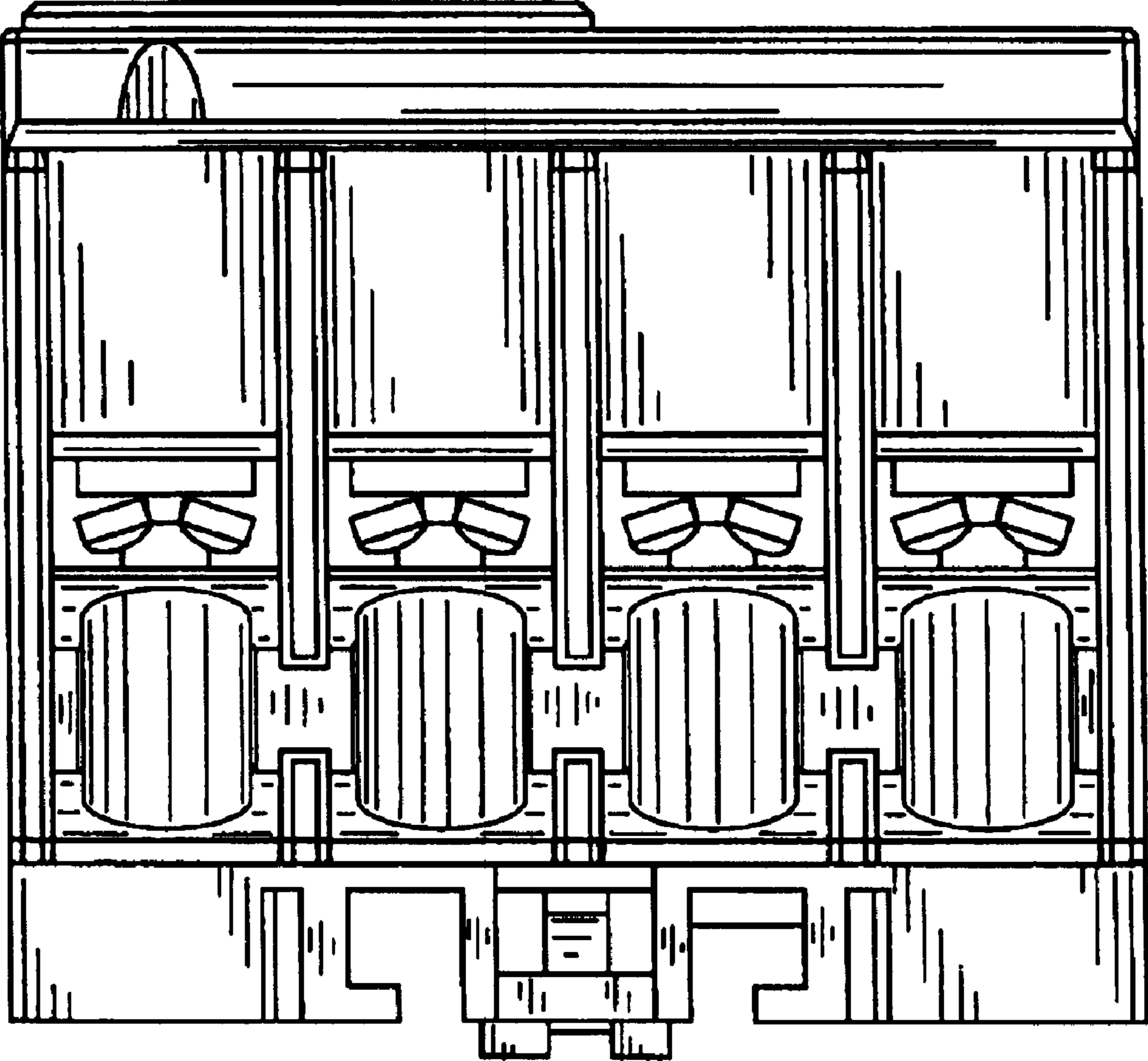


FIG.8

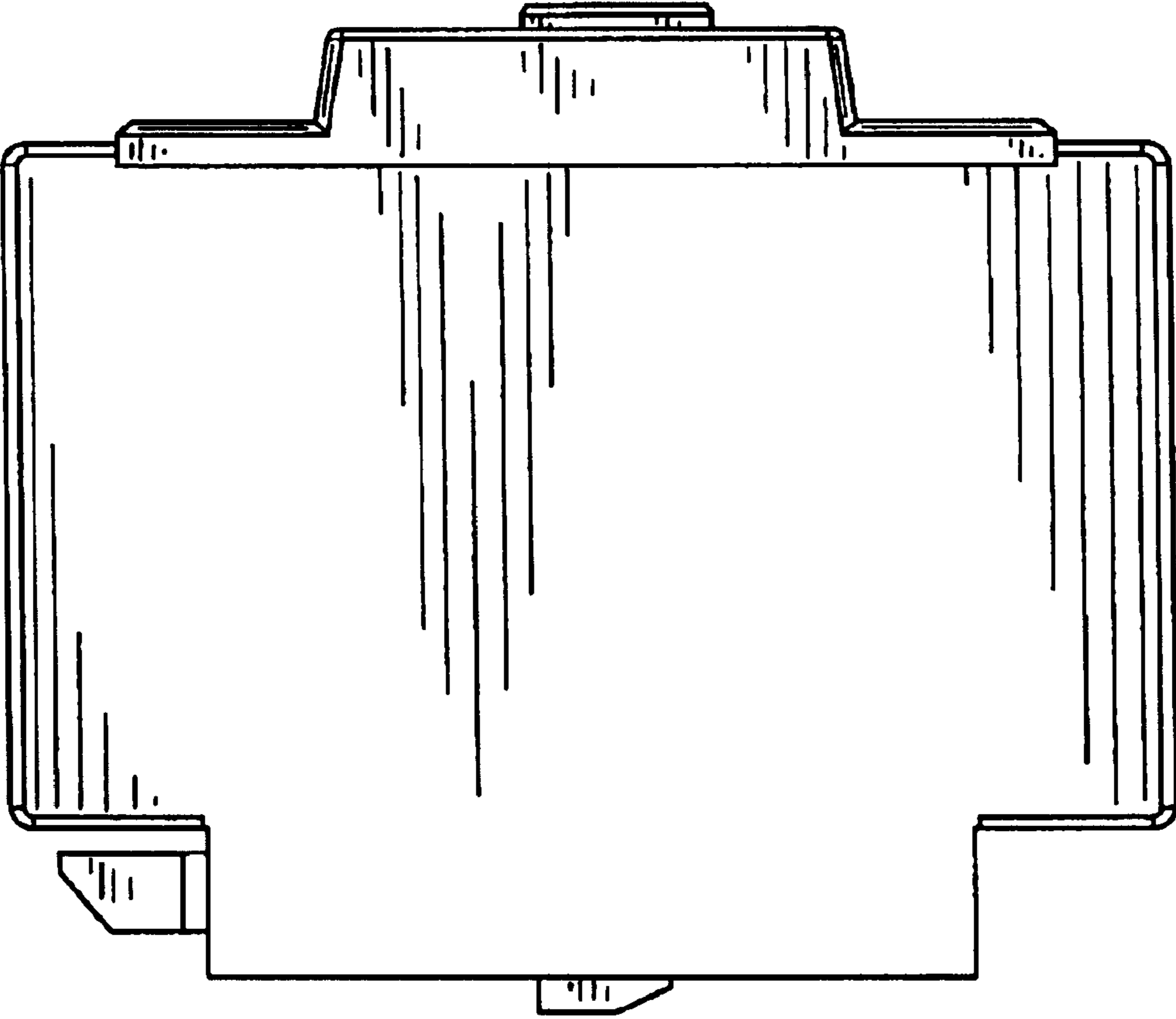


FIG.9