

US00D494545S1

(12) **United States Design Patent**
Kuroda et al.

(10) **Patent No.:** **US D494,545 S**

(45) **Date of Patent:** **** Aug. 17, 2004**

(54) **SOCKET CONTACT**

D457,136 S * 5/2002 Hayashi et al. D13/154 X
6,402,571 B1 * 6/2002 Muller et al. 439/856 X

(75) Inventors: **Keiji Kuroda**, Amagasaki (JP); **Kiyoshi Aramoto**, Higashiosaka (JP); **Koji Iwashita**, Nisshin (JP)

* cited by examiner

(73) Assignee: **J.S.T. Mfg. Co., Ltd.**, Osaka (JP)

Primary Examiner—Joel Sincavage

(**) Term: **14 Years**

(74) *Attorney, Agent, or Firm*—Antonelli, Terry, Stout & Kraus, Ltd.

(21) Appl. No.: **29/171,274**

(57) **CLAIM**

(22) Filed: **Nov. 20, 2002**

The ornamental design for a socket contact, as shown and described.

(30) **Foreign Application Priority Data**

DESCRIPTION

May 27, 2002 (JP) 2002-014022

(51) **LOC (7) Cl.** **13-03**

(52) **U.S. Cl.** **D13/154**

(58) **Field of Search** D13/133, 154;
439/749, 856, 857

FIG. 1 is a top plan view thereof;
FIG. 2 is a front elevation thereof;
FIG. 3 is a bottom plan view thereof;
FIG. 4 is a left-side elevation thereof;
FIG. 5 is a right-side elevation thereof;
FIG. 6 is a downward perspective view thereof; and,
FIG. 7 is an upward perspective view thereof, wherein the subject socket contact is an article that is to be crimped on an electric wire end, before placed and fixed in a connector housing so as to be capable of electrically engaging with a mating connector not shown.

(56) **References Cited**

U.S. PATENT DOCUMENTS

- 3,155,449 A * 11/1964 Henschen 439/857 X
- D207,488 S * 4/1967 Reynolds D13/149
- 3,634,811 A * 1/1972 Teagno et al. 439/290
- 4,863,400 A * 9/1989 Sato 439/595
- 5,094,636 A * 3/1992 Zinn et al. 439/839
- 5,554,056 A * 9/1996 Berg 439/857

A rear elevation of the socket contact appearing symmetrical with the front elevation thereof is excluded from the drawings.

1 Claim, 2 Drawing Sheets

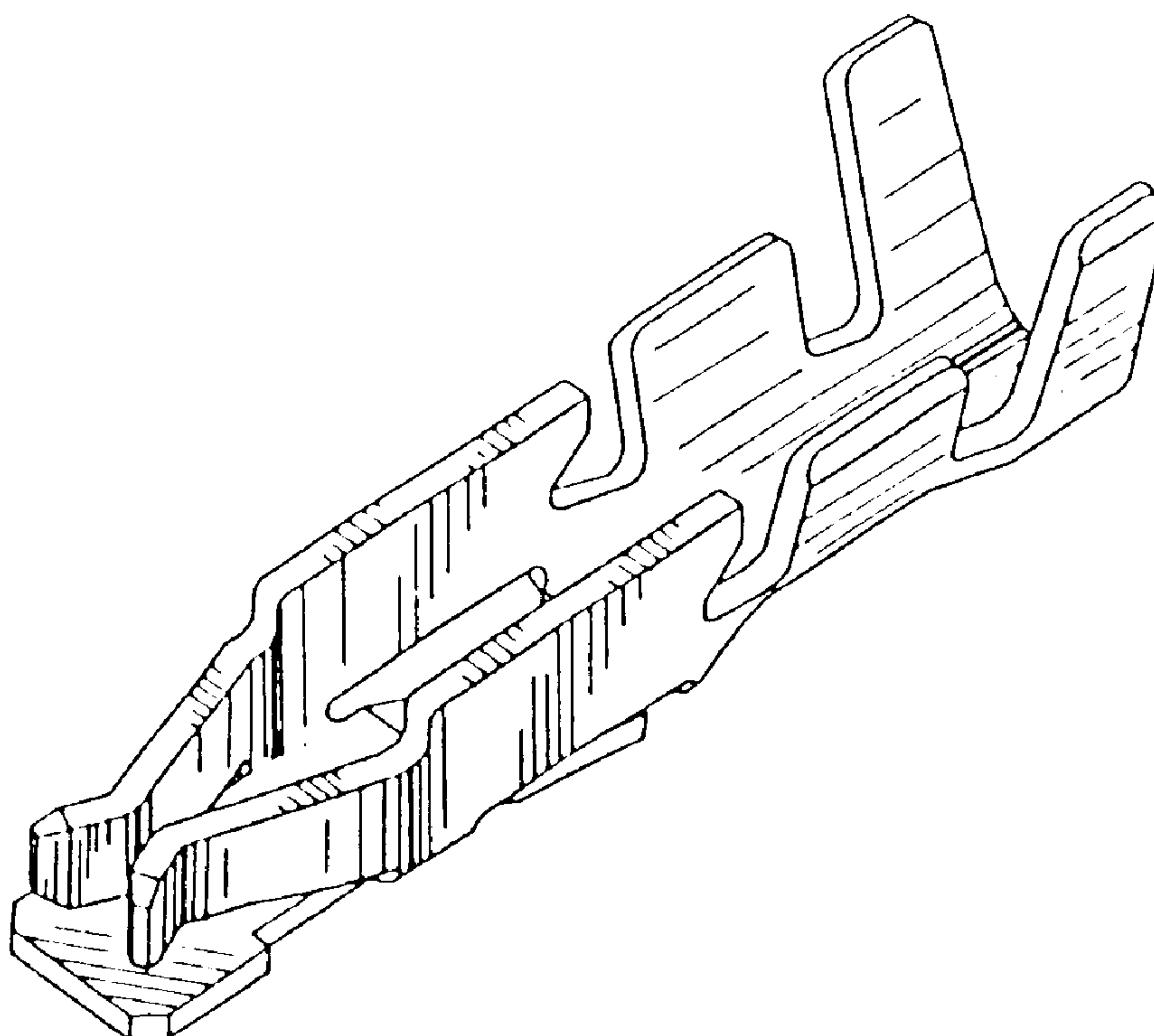


Fig. 1

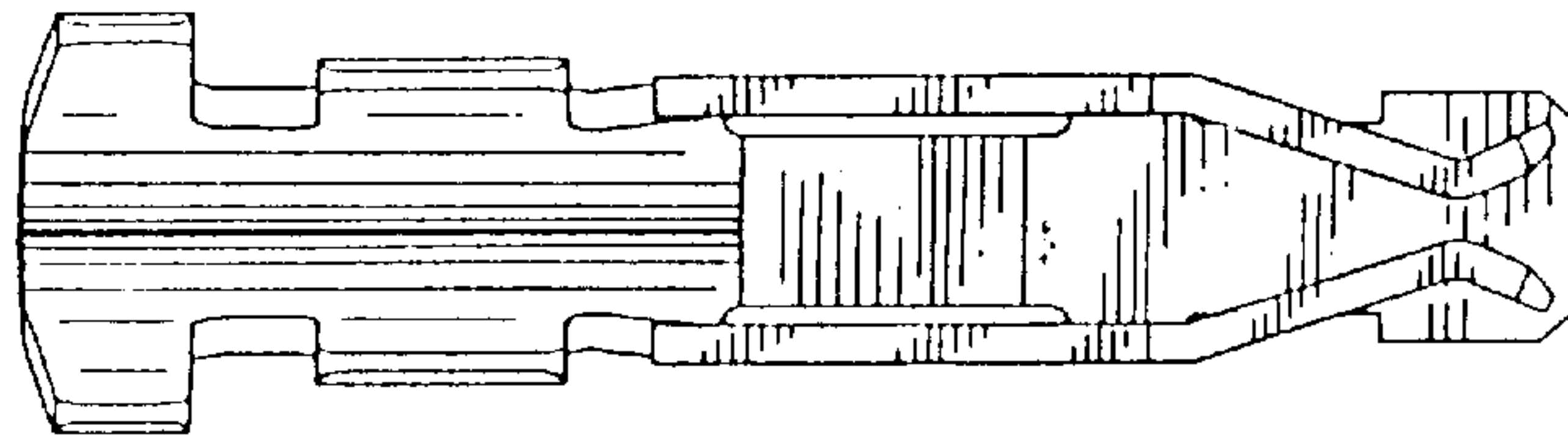


Fig. 2

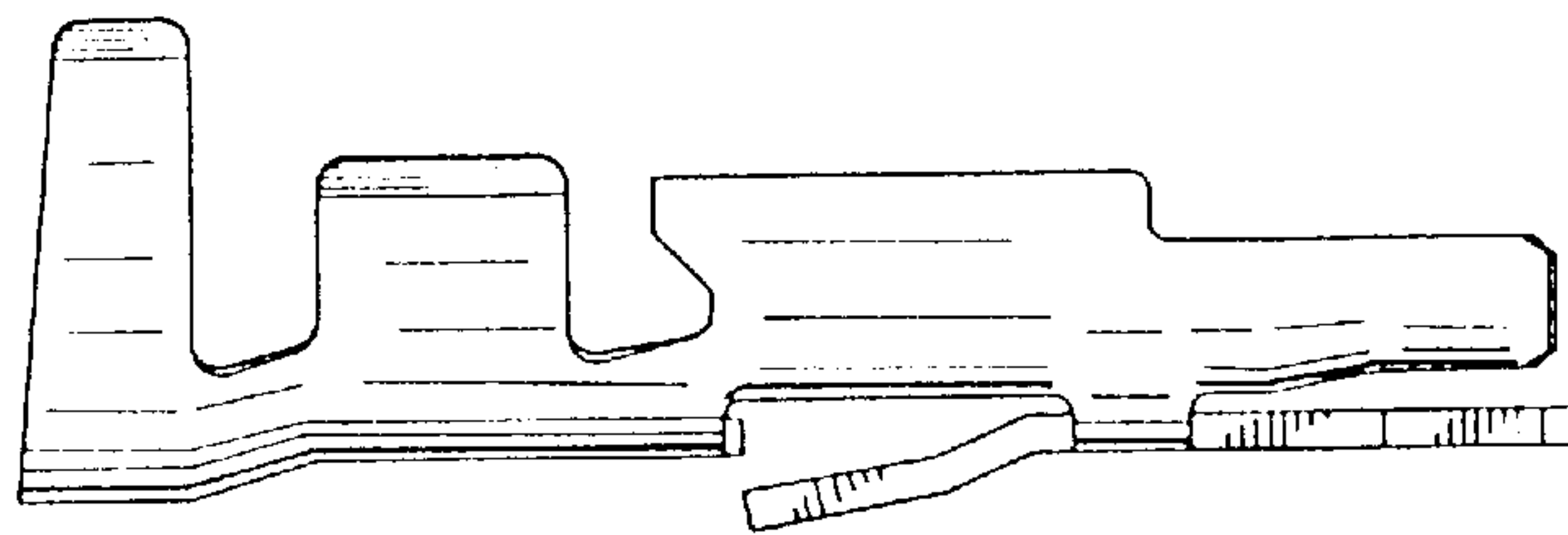


Fig. 3

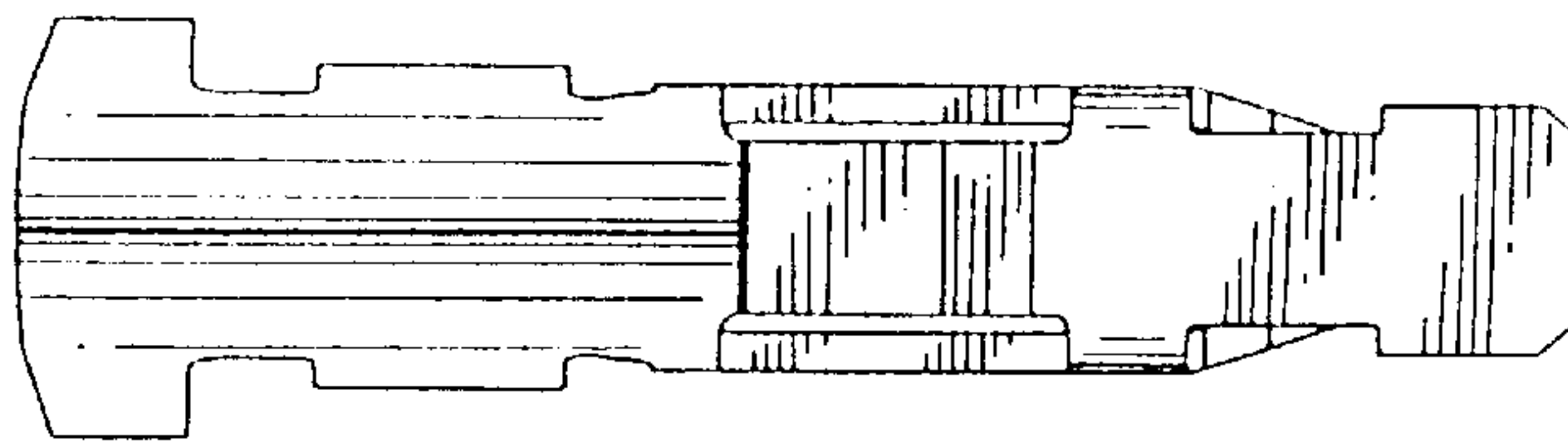


Fig. 4

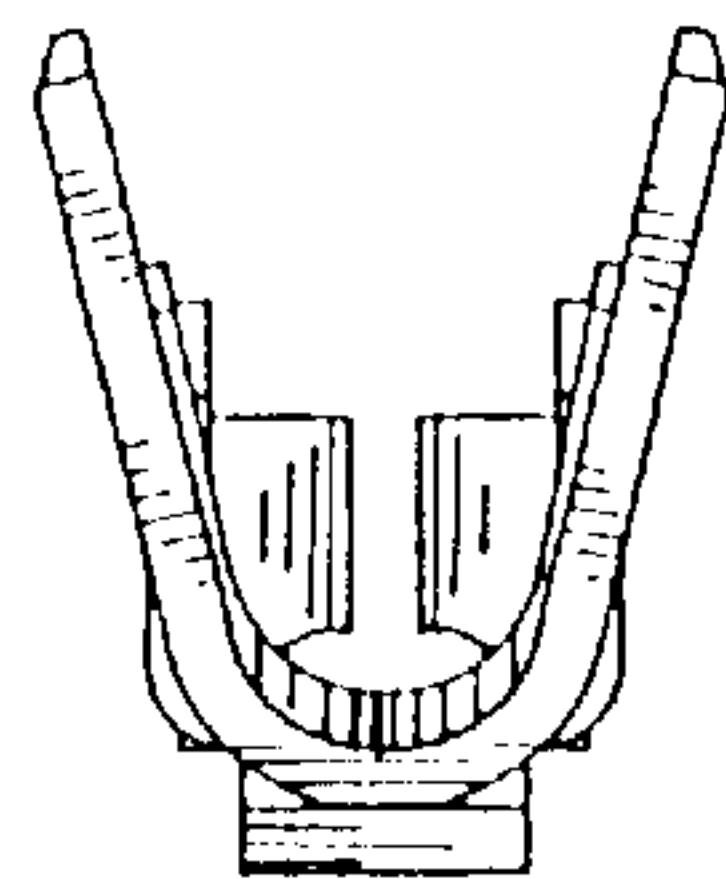


Fig. 5

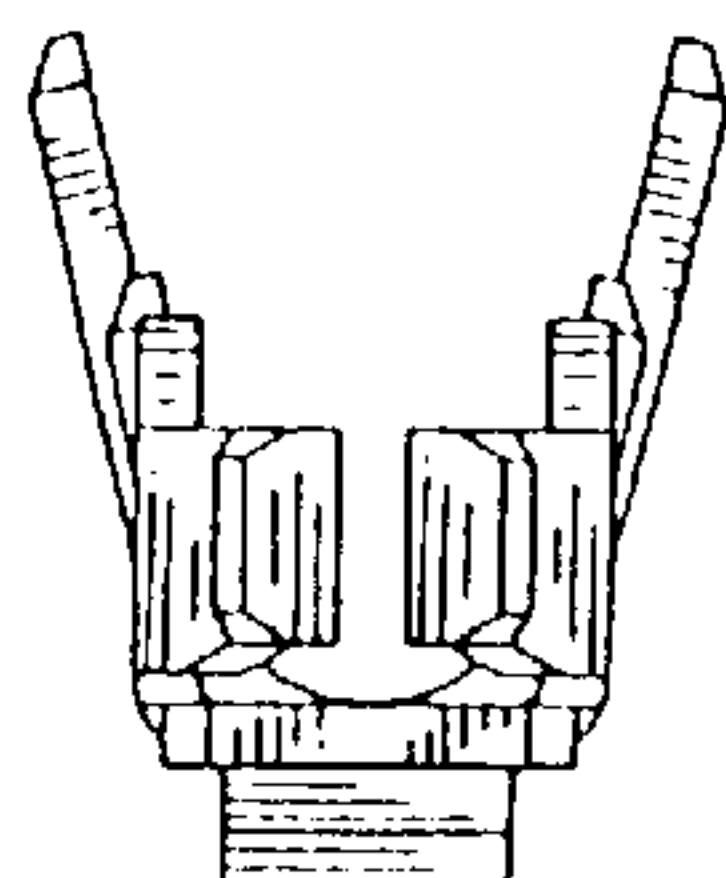


Fig. 6

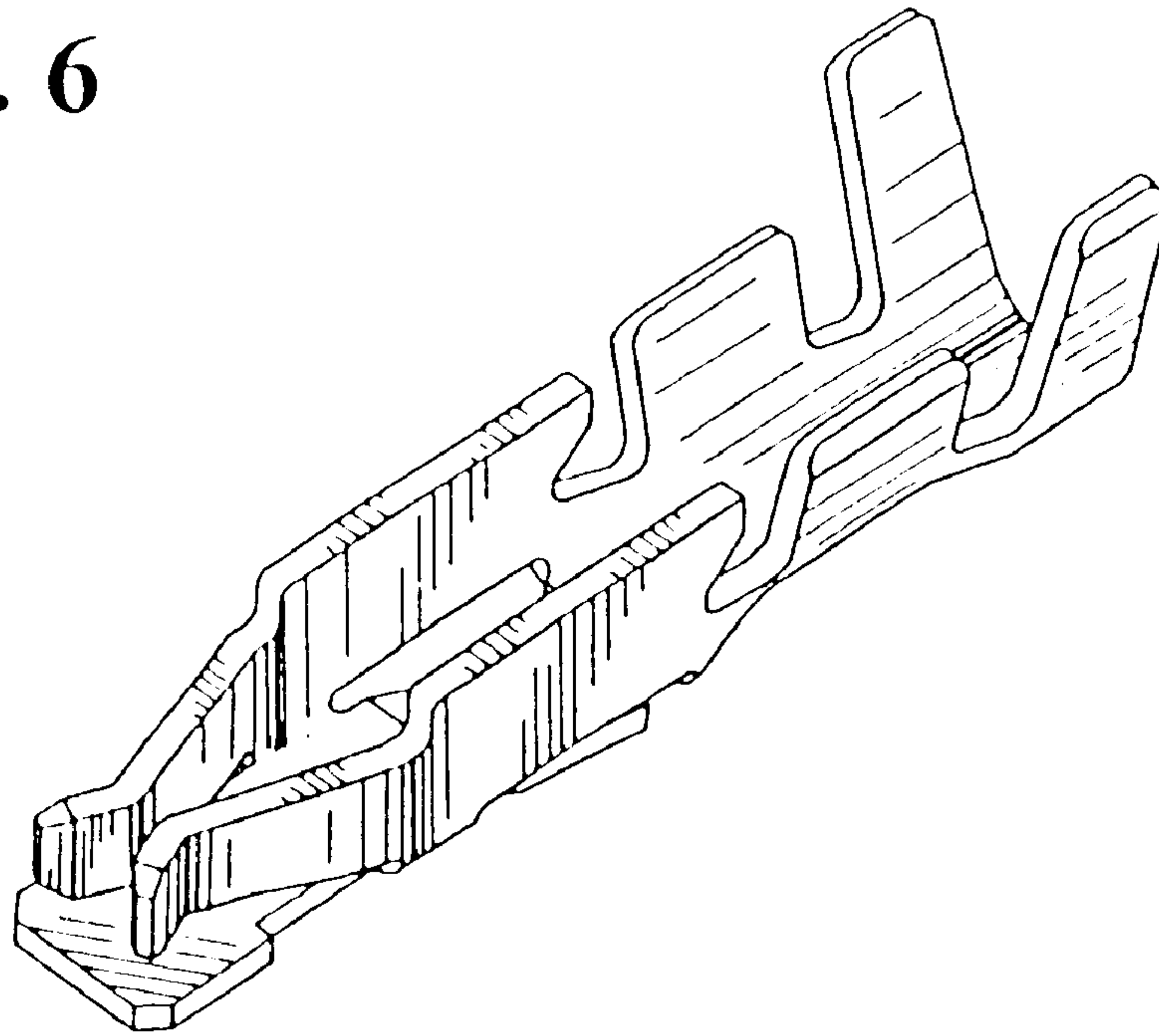


Fig. 7

