



US00D494541S1

(12) **United States Design Patent** (10) **Patent No.:** **US D494,541 S**
Hriscu et al. (45) **Date of Patent:** **** Aug. 17, 2004**

(54) **COMPACT POWER INVERTER**

D479,195 S * 9/2003 Krieger et al. D13/110
D483,725 S * 12/2003 Thompson et al. D13/184

(75) Inventors: **Marius George Hriscu**, Vancouver (CA); **Timothy Donald Attridge**, West Vancouver (CA); **Tony Ziccardi**, Vancouver (CA); **Lawrence C. Neill**, Vancouver (CA); **Neena Rahemtulla**, Vancouver (CA); **Alexander Jeffrey Feldman**, Vancouver (CA); **Matthew Sean Kuzminski**, Vancouver (CA); **Robbie Gordon Roberts**, New Westminster (CA)

* cited by examiner

Primary Examiner—Philip S. Hyder
Assistant Examiner—Daniel Bui
(74) *Attorney, Agent, or Firm*—Christensen O'Connor Johnson Kindness PLLC

(73) Assignee: **Xantrex International**, St. Michael (BB)

(**) Term: **14 Years**

(21) Appl. No.: **29/194,793**

(22) Filed: **Dec. 1, 2003**

(51) **LOC (7) Cl.** **13-02**

(52) **U.S. Cl.** **D13/110**

(58) **Field of Search** D13/110, 123,
D13/162, 164, 184; 307/64, 150, 151; 361/600,
679, 692, 715, 727, 728

(56) **References Cited**

U.S. PATENT DOCUMENTS

D413,567 S * 9/1999 Person et al. D13/110
5,949,640 A * 9/1999 Cameron et al. 361/600
6,232,785 B1 * 5/2001 Kelsey 324/527

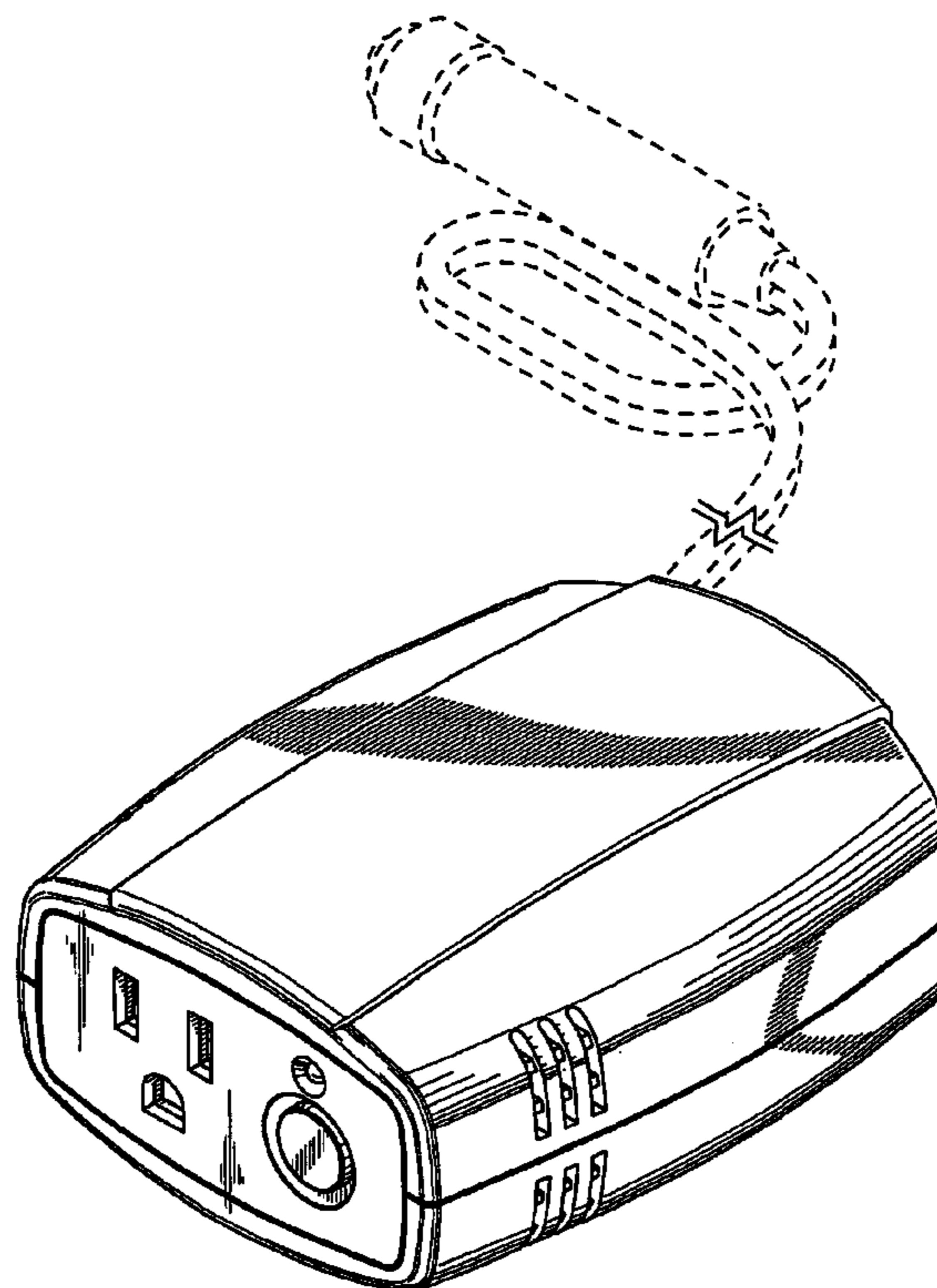
(57) **CLAIM**

The ornamental design for a compact power inverter, as shown and described.

DESCRIPTION

FIG. 1 is a perspective view of a compact power inverter showing our new design;
FIG. 2 is a top view of the compact power inverter shown in FIG. 1;
FIG. 3 is a right-hand side view of the compact power inverter shown in FIG. 1;
FIG. 4 is a bottom view of the compact power inverter shown in FIG. 1;
FIG. 5 is a left-hand side view of the compact power inverter shown in FIG. 1;
FIG. 6 is a front view of the compact power inverter shown in FIG. 1; and,
FIG. 7 is a rear view of the compact power inverter shown in FIG. 1.
The broken line showing of the environment is for illustrative purposes only and forms no part of the claimed design.

1 Claim, 5 Drawing Sheets



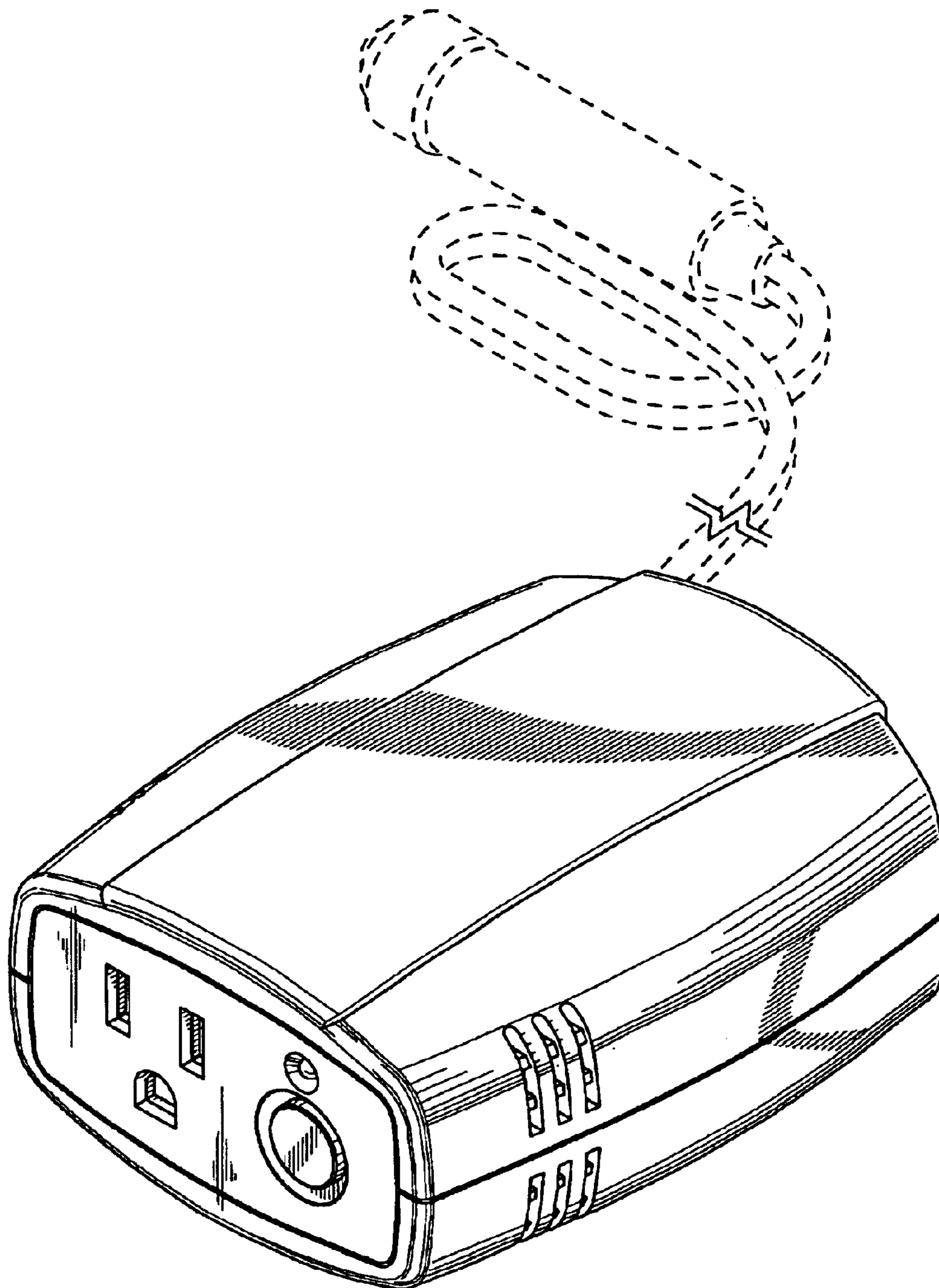


FIG. 1

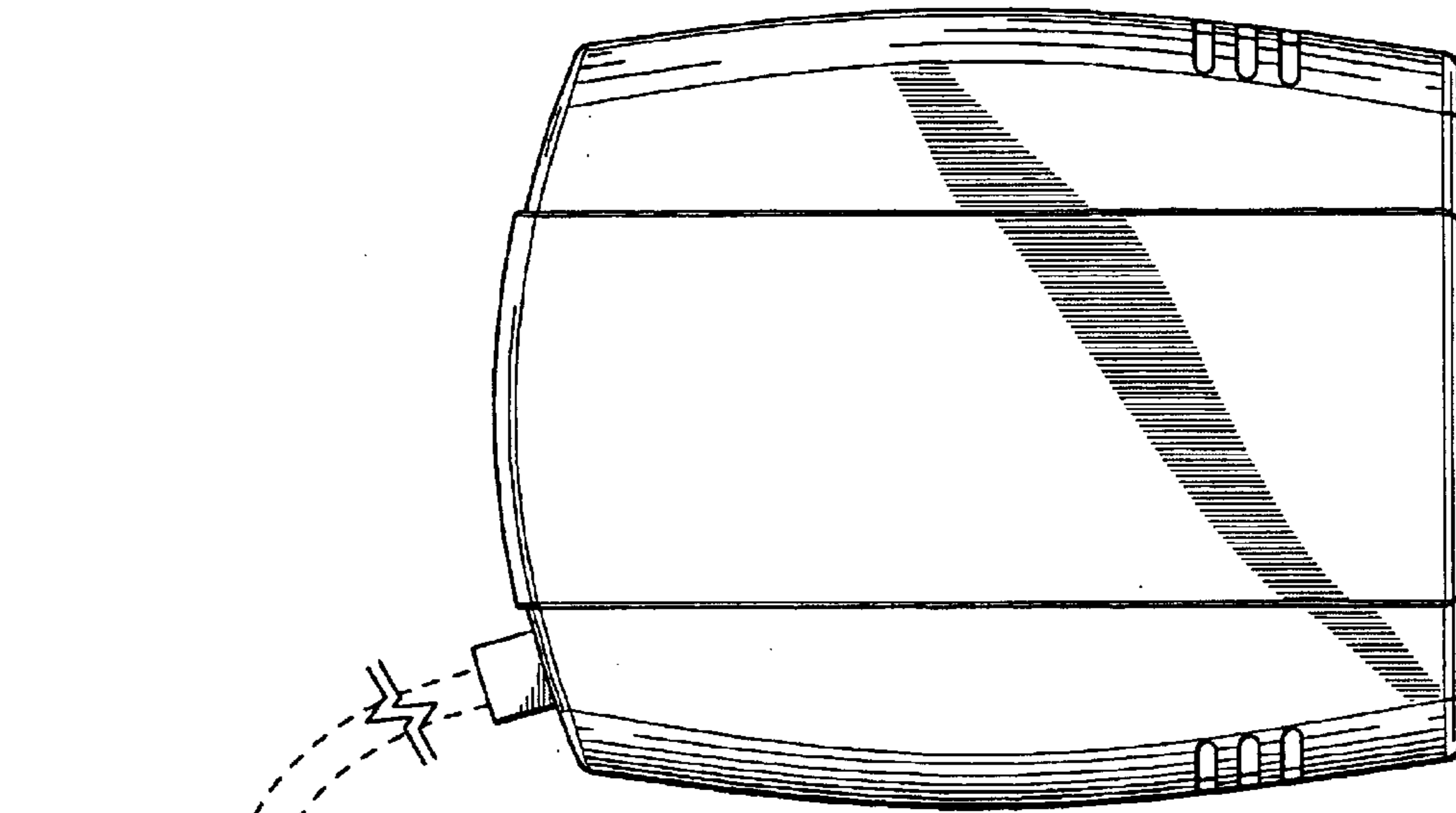


FIG. 2

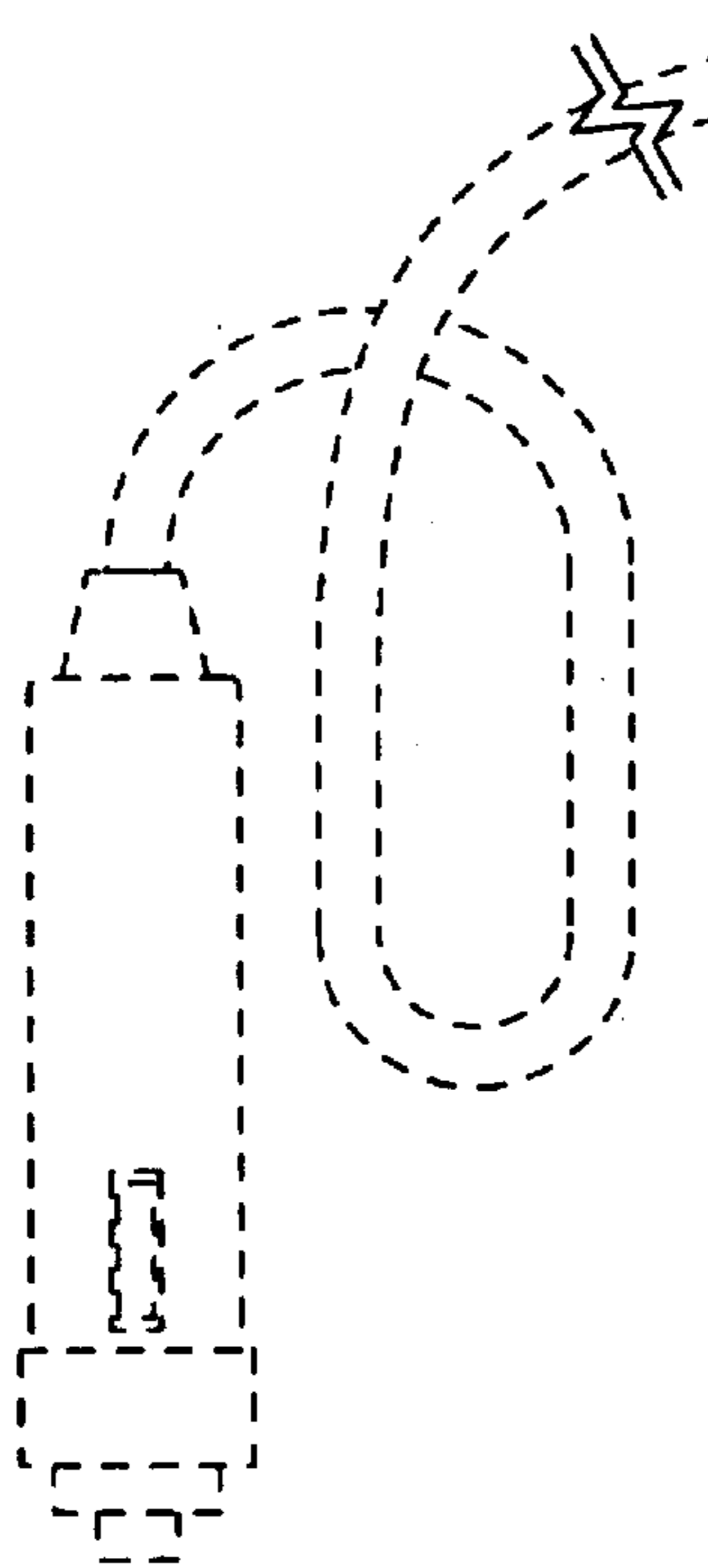
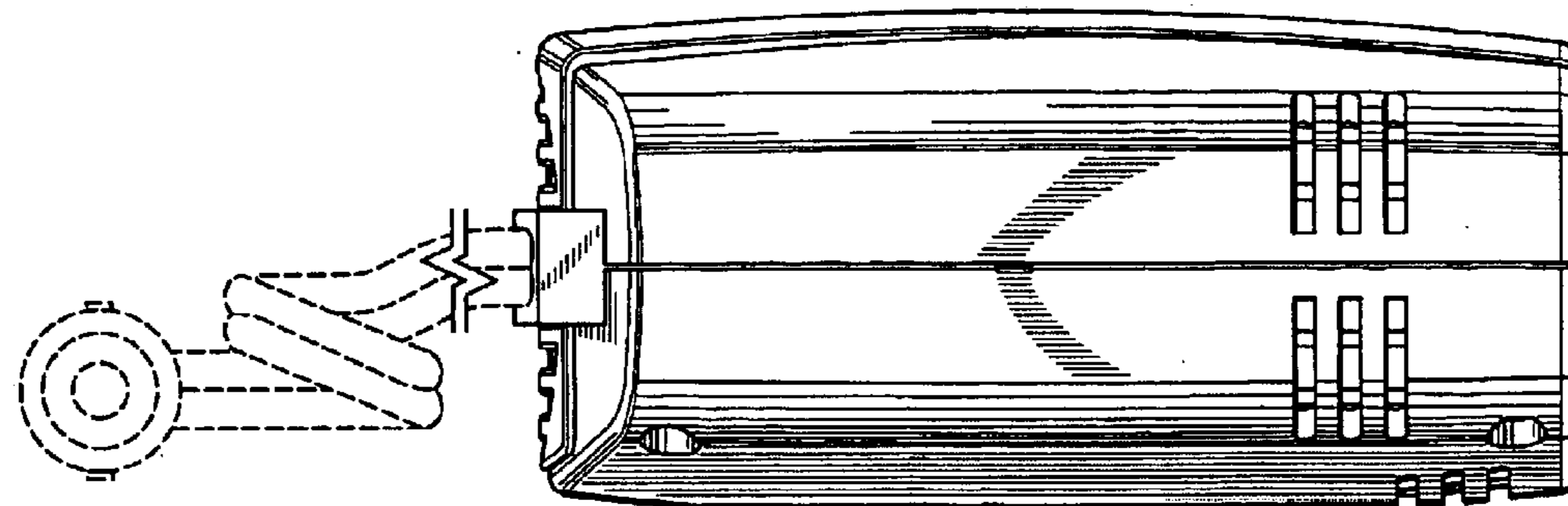


FIG. 3



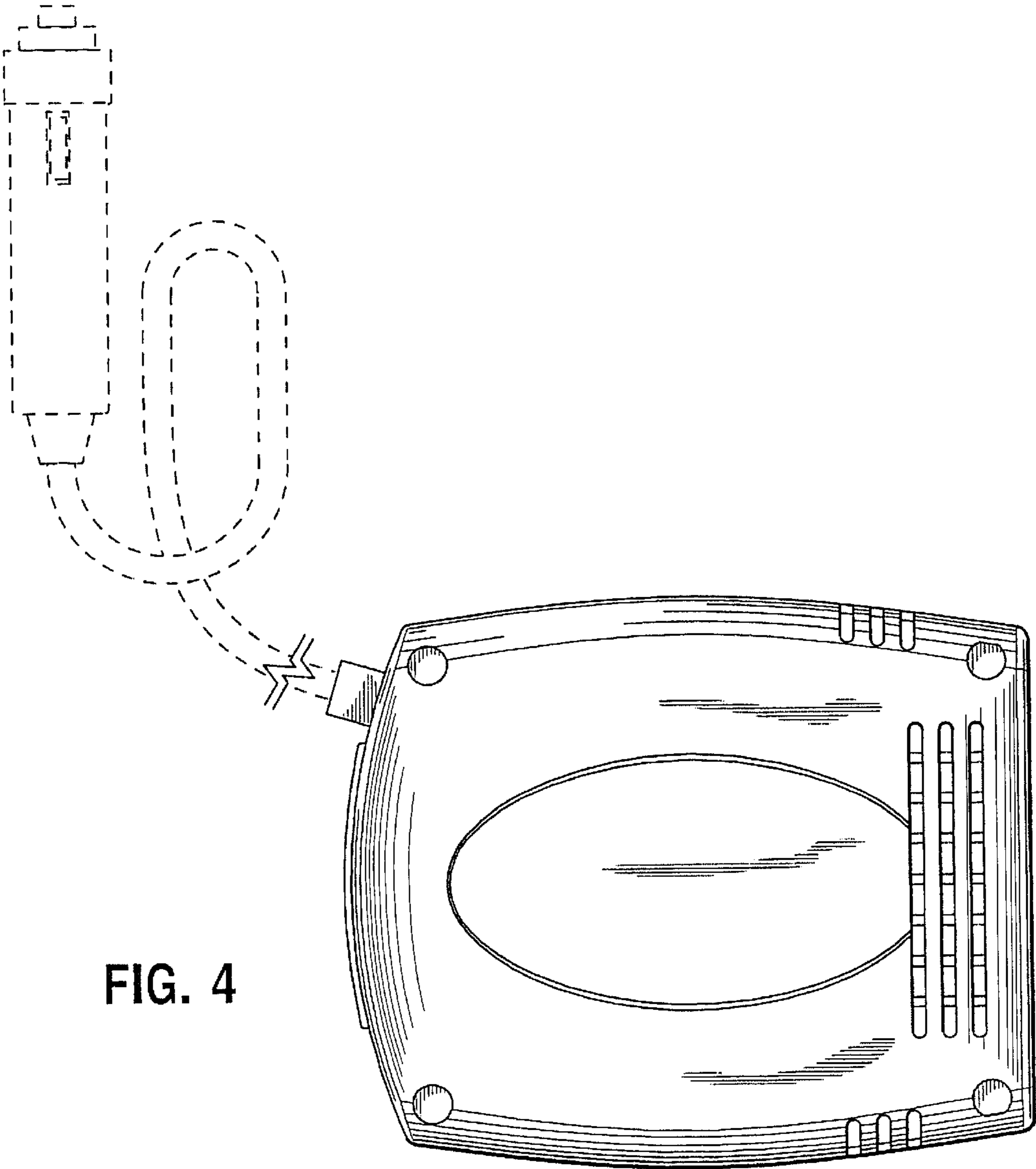


FIG. 4

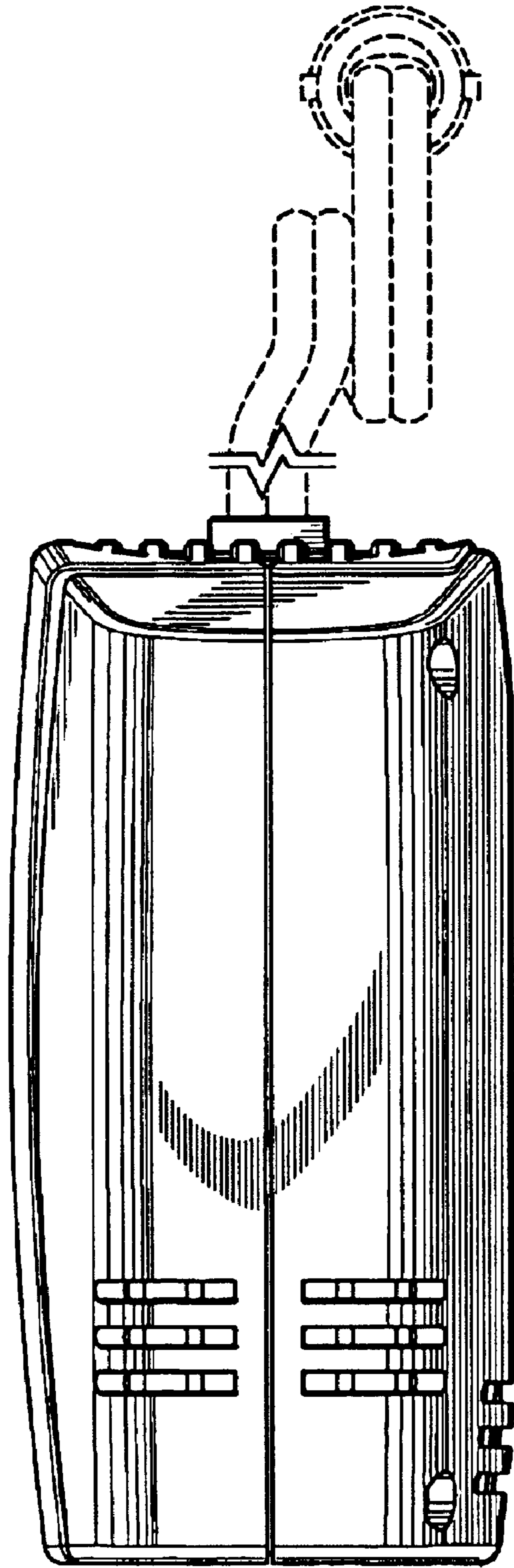


FIG. 5

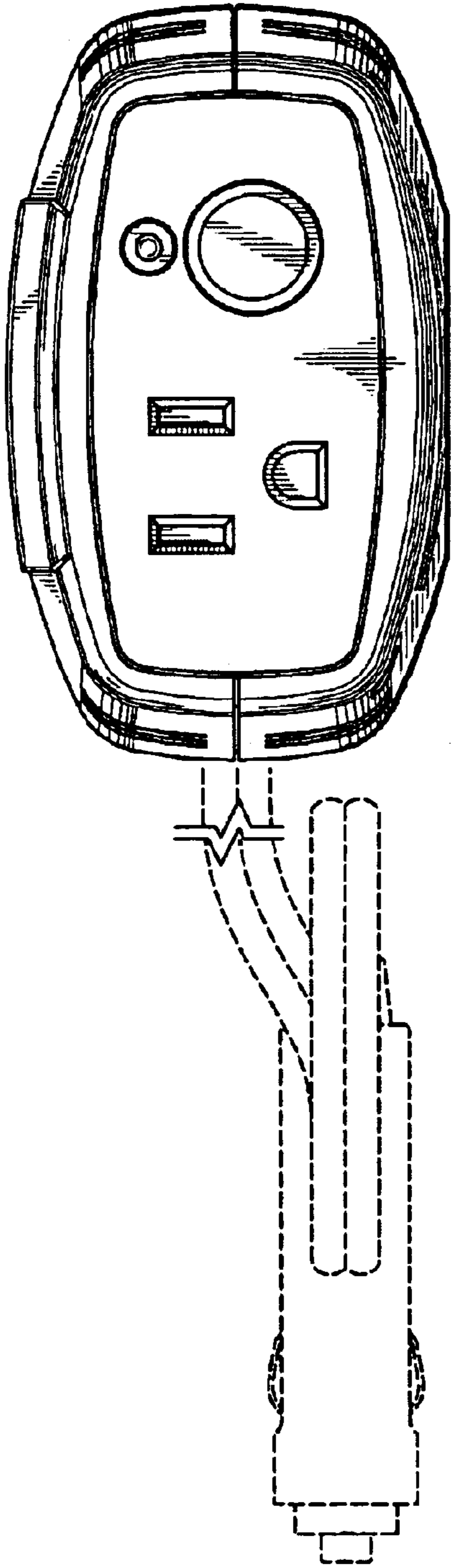


FIG. 6

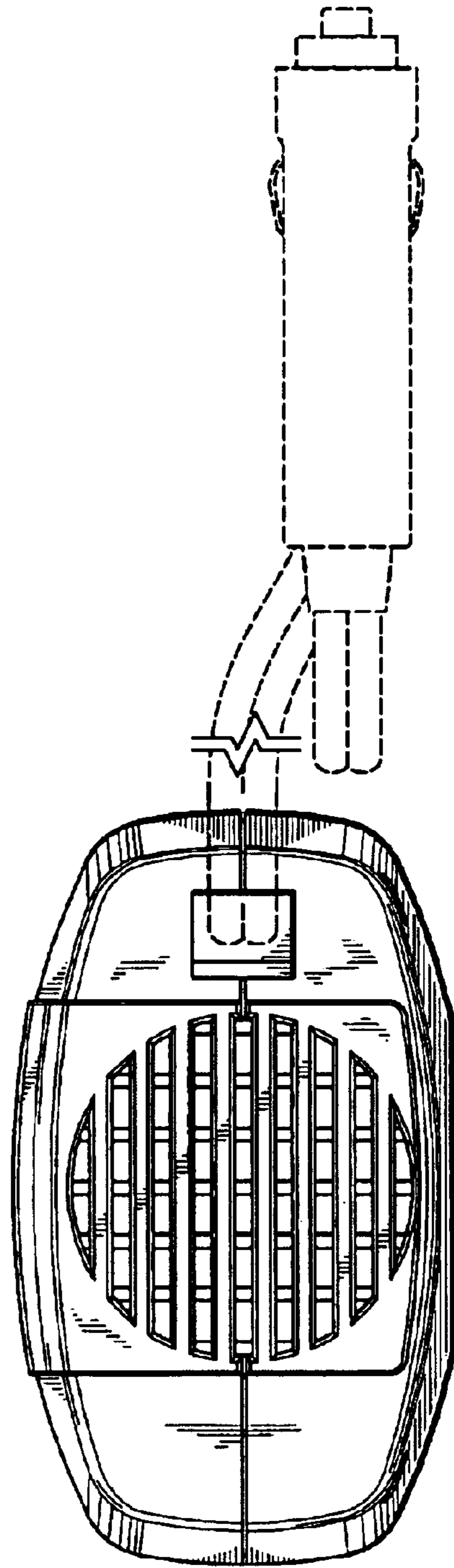


FIG. 7