

US00D494538S1

(12) **United States Design Patent** (10) **Patent No.:** **US D494,538 S**
Erskine (45) **Date of Patent:** **** Aug. 17, 2004**

(54) **POWER SUPPLY HOUSING**

(75) Inventor: **Terry Lee Erskine**, Camarillo, CA (US)

(73) Assignee: **Power-One, Inc.**, Camarillo, CA (US)

(**) Term: **14 Years**

(21) Appl. No.: **29/168,494**

(22) Filed: **Oct. 1, 2002**

(51) **LOC (7) Cl.** **13-02**

(52) **U.S. Cl.** **D13/110**

(56) **References Cited**

U.S. PATENT DOCUMENTS

3,447,036	A	5/1969	Dore et al.	
4,058,759	A	* 11/1977	Halfhill	322/13
4,131,934	A	12/1978	Becker et al.	
D264,960	S	6/1982	Secrest	
4,595,872	A	6/1986	Ball	
D303,664	S	* 9/1989	Harden et al.	D14/140
4,963,098	A	10/1990	Myer et al.	
D334,561	S	4/1993	Crater et al.	
5,385,481	A	1/1995	Kotyuk	
D374,861	S	* 10/1996	Mousa	D13/110
D376,347	S	* 12/1996	Mousa	D13/110
5,612,854	A	3/1997	Wiscombe et al.	
5,622,511	A	4/1997	Jarrett	
D387,031	S	* 12/1997	Tracewell et al.	D13/110
D387,032	S	* 12/1997	Tracewell	D13/110
5,901,057	A	5/1999	Brand et al.	

D415,996 S 11/1999 Colver et al.
D429,213 S 8/2000 Colver et al.
2003/0123222 A1 * 7/2003 Thompson et al. 361/687

* cited by examiner

Primary Examiner—Prabhakar Deshmukh

Assistant Examiner—Daniel Bui

(74) *Attorney, Agent, or Firm*—Knobbe Martens Olson & Bear, LLP

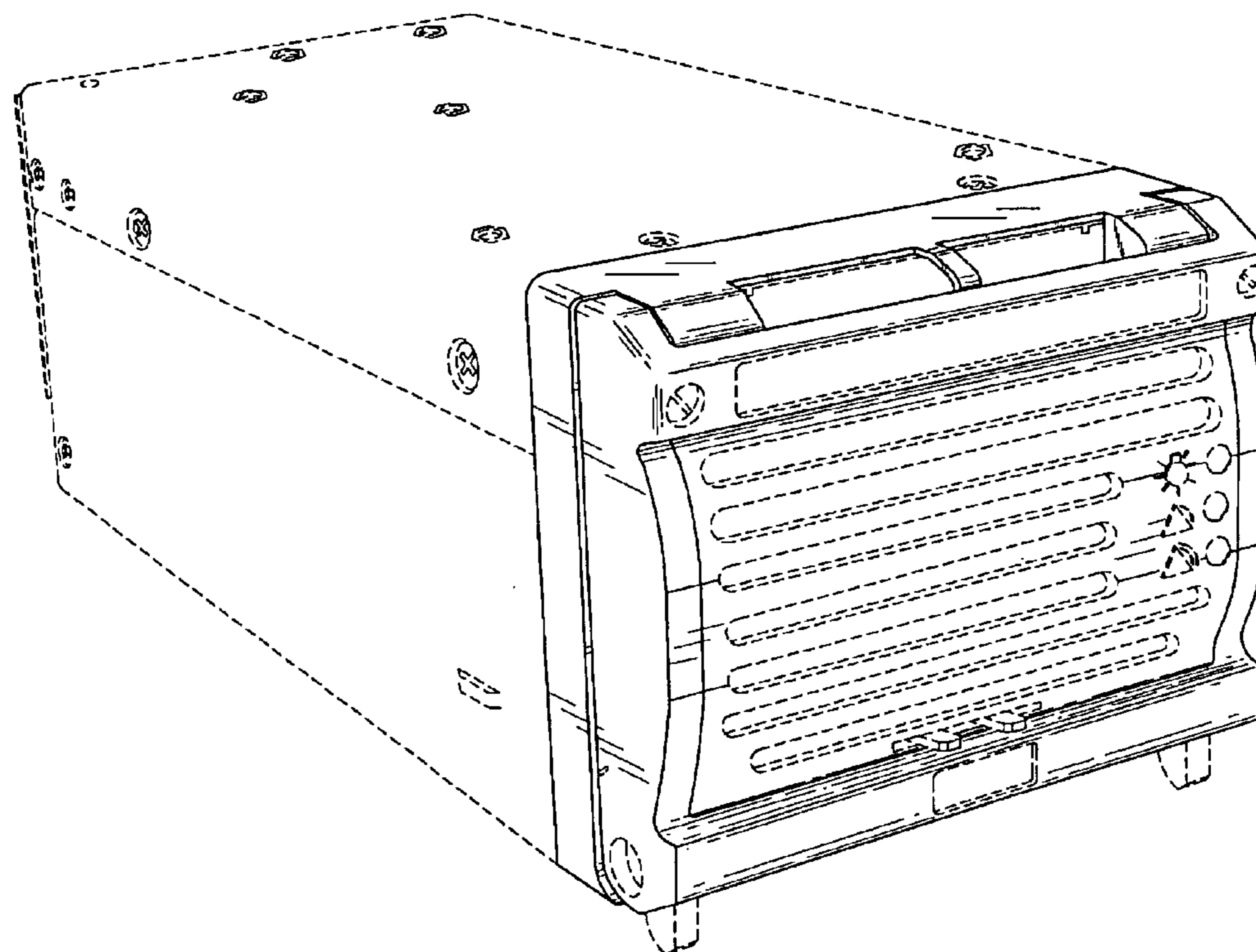
(57) **CLAIM**

The ornamental design for a power supply housing, as shown and described.

DESCRIPTION

FIG. 1 is a left front side perspective view of the power supply housing showing my design;
FIG. 2 is a front elevational view of the power supply housing of FIG. 1;
FIG. 3 is a rear elevational view of the power supply housing of FIG. 1;
FIG. 4 is a left side elevational view of the power supply housing of FIG. 1;
FIG. 5 is a right side elevational view of the power supply housing of FIG. 1;
FIG. 6 is a bottom plan view of the power supply housing of FIG. 1; and,
FIG. 7 is a top plan view of the power supply housing of FIG. 1.

1 Claim, 4 Drawing Sheets



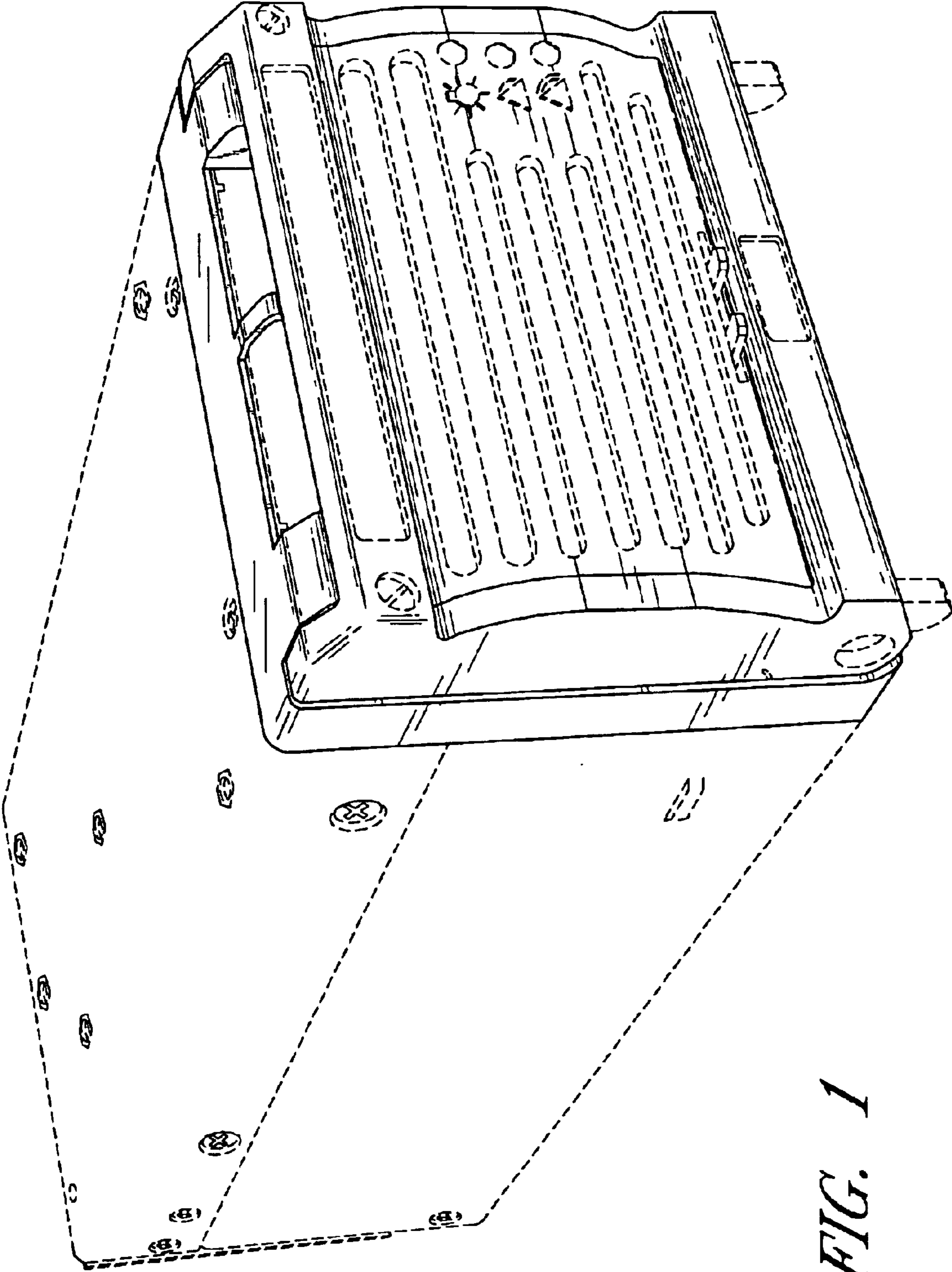


FIG. 1

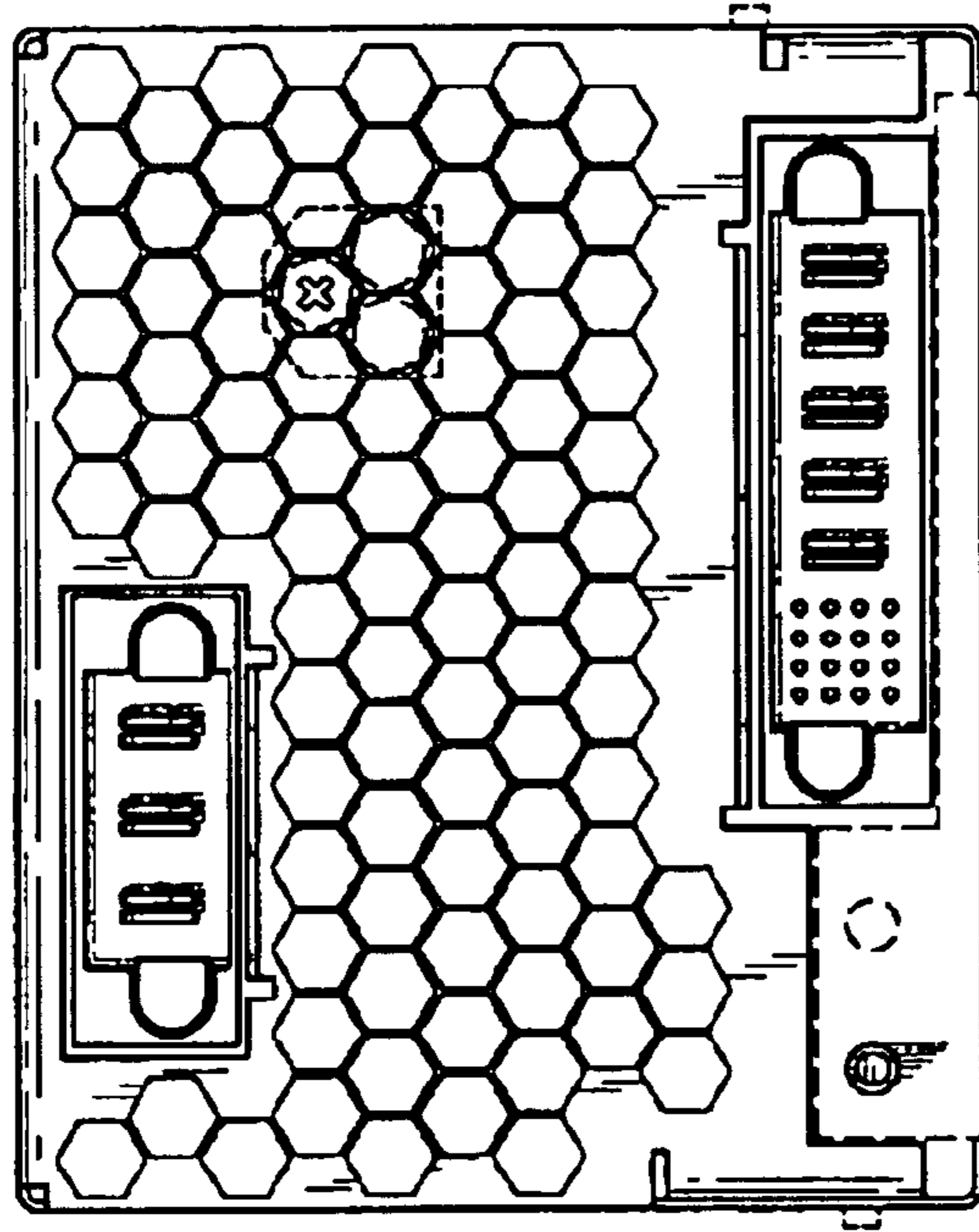


FIG. 3

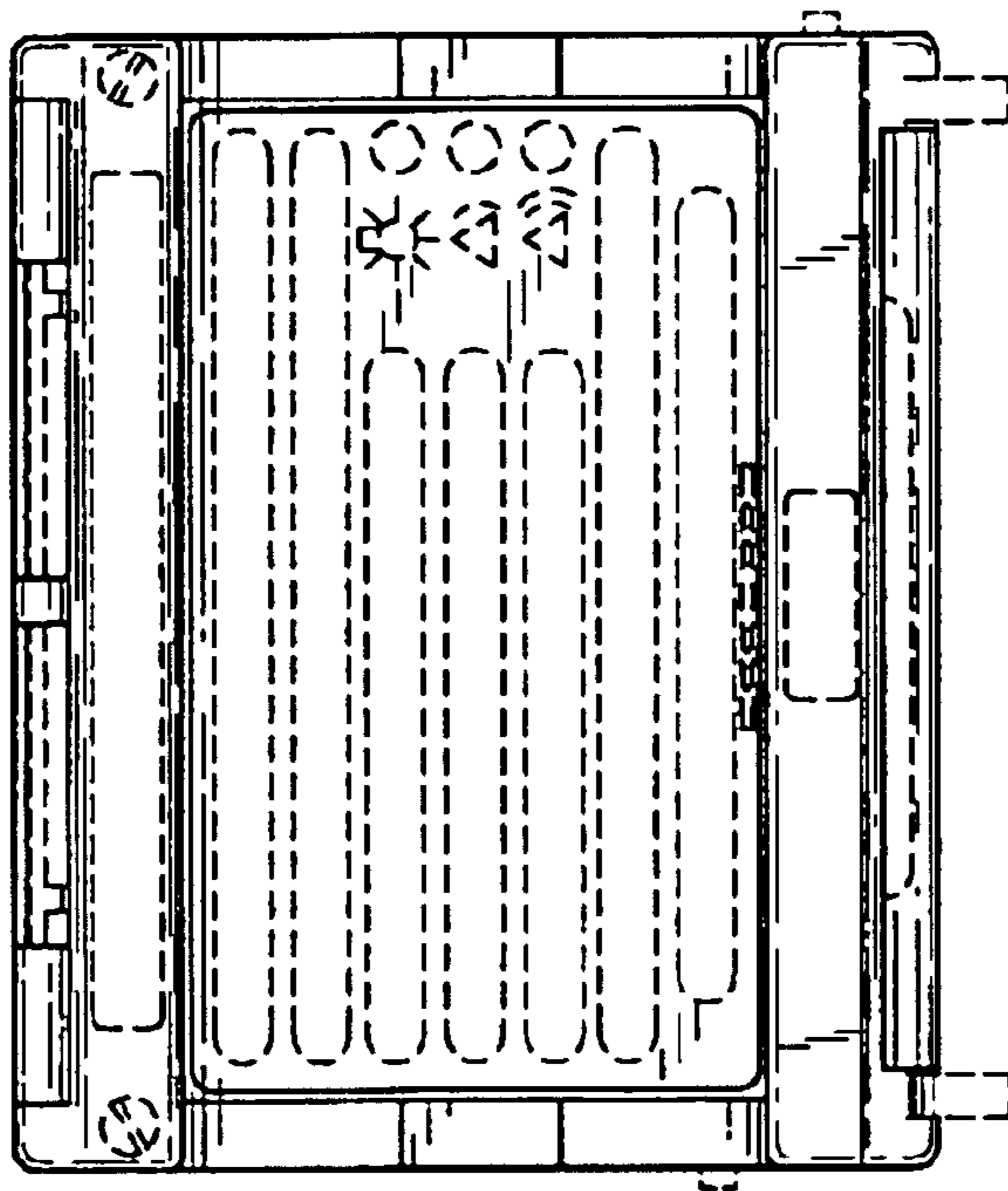


FIG. 2

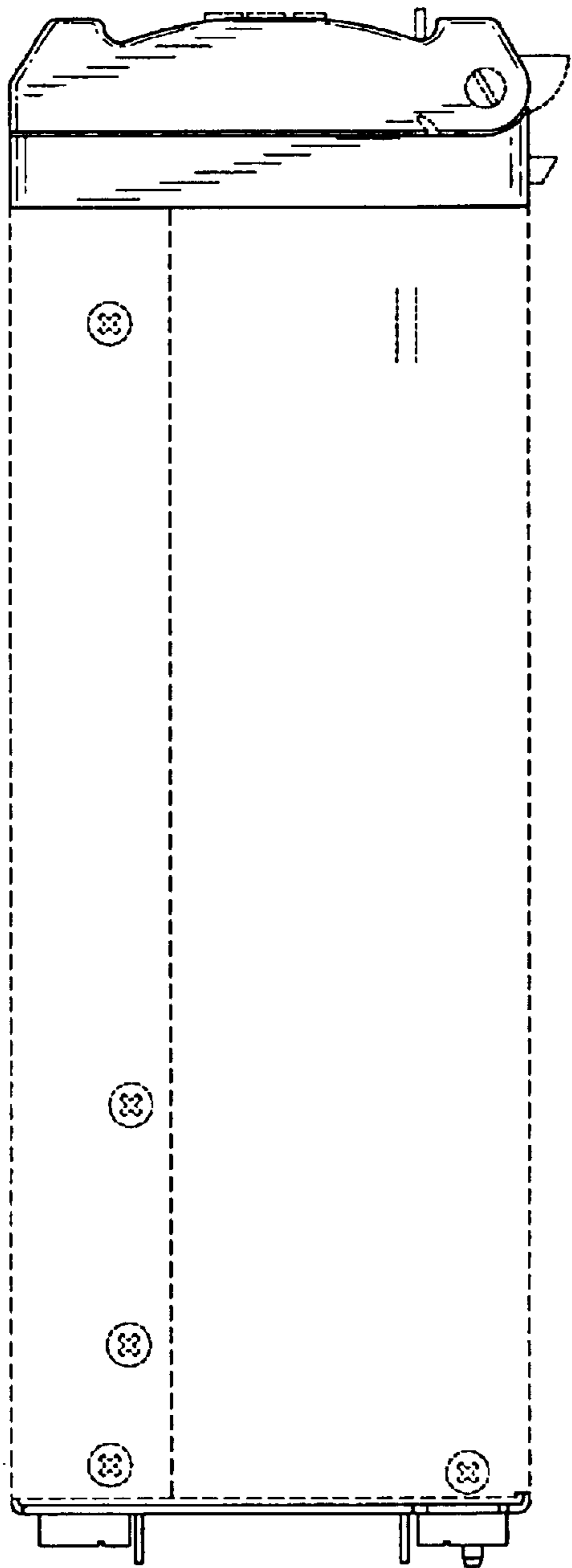


FIG. 4

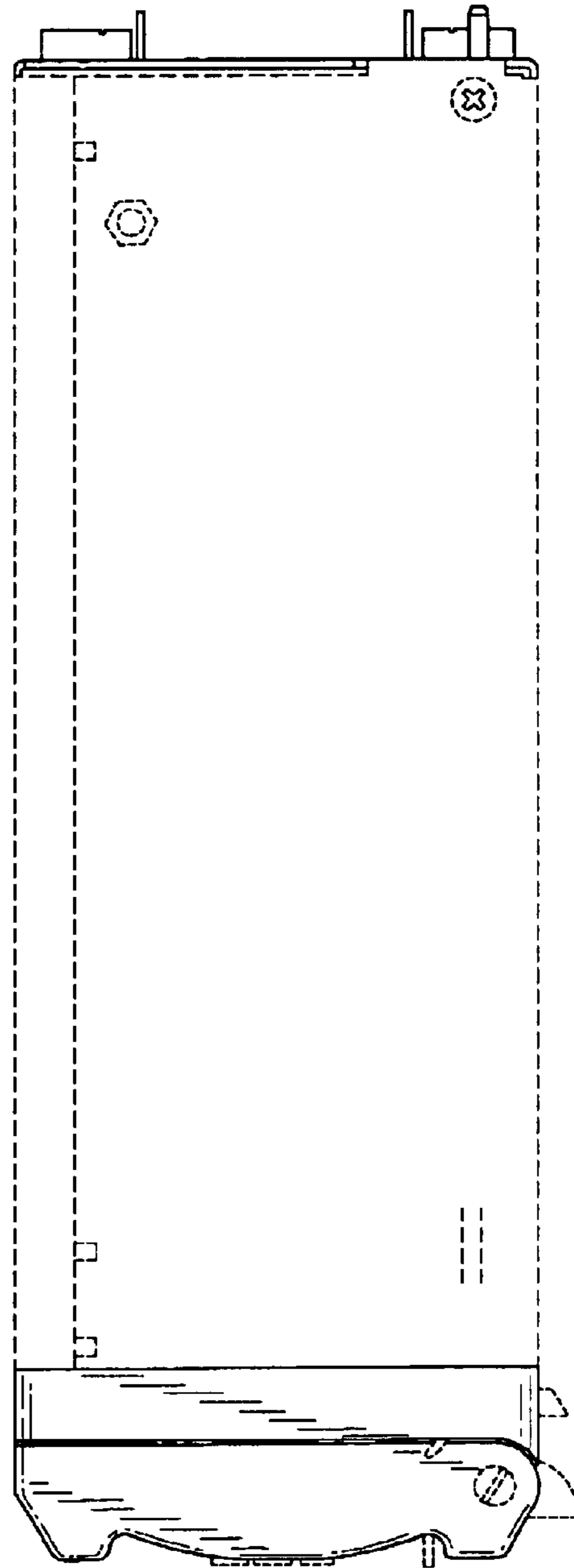


FIG. 5

FIG. 6

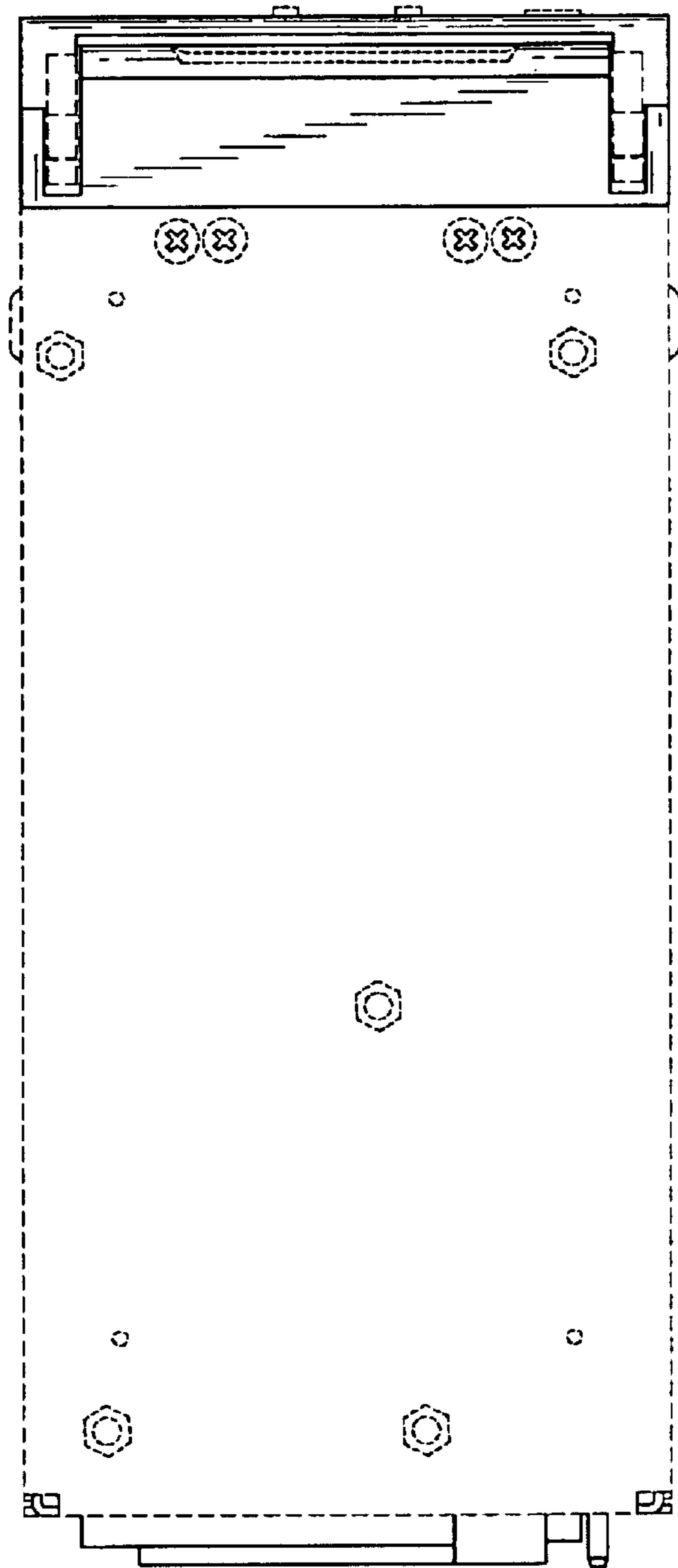


FIG. 7

