

US00D494537S1

(12) **United States Design Patent**
Krieger et al.

(10) **Patent No.: US D494,537 S**

(45) **Date of Patent: ** Aug. 17, 2004**

(54) **BATTERY CHARGER**

(75) Inventors: **Michael Krieger**, Miami Beach, FL
(US); **Kevin Ellsworth**, Hollywood, FL
(US)

(73) Assignee: **Vector Products, Inc.**, Ft. Lauderdale,
FL (US)

(**) Term: **14 Years**

(21) Appl. No.: **29/182,599**

(22) Filed: **May 30, 2003**

Related U.S. Application Data

(63) Continuation of application No. 29/158,156, filed on Apr. 1,
2002, now Pat. No. Des. 475,680.

(51) **LOC (7) Cl.** **13-02**

(52) **U.S. Cl.** **D13/109**

(58) **Field of Search** D13/109, 110;
D15/9; 320/105, 107, 111; 361/625

(56) **References Cited**

U.S. PATENT DOCUMENTS

D277,954 S * 3/1985 Mizushima D13/114
5,077,513 A * 12/1991 Dea et al. 320/115
5,083,076 A * 1/1992 Scott 320/105
D327,468 S * 6/1992 Dea et al. D13/104

6,008,621 A * 12/1999 Madison et al. 320/107
D425,018 S * 5/2000 Madura et al. D13/110
D455,398 S * 4/2002 Frank et al. D13/110
D458,220 S * 6/2002 Vetter D13/110

* cited by examiner

Primary Examiner—Joel Sincavage

(74) *Attorney, Agent, or Firm*—Venable LLP; Robert
Kinberg

(57) **CLAIM**

The ornamental design for a battery charger, as shown and
described.

DESCRIPTION

FIG. 1 is a perspective view from the front-top-left side of
the battery charger showing our new design;

FIG. 2 is a front view of the design shown in FIG. 1;

FIG. 3 is a rear view of the design shown in FIG. 1;

FIG. 4 is a right side view of the design shown in FIG. 1;

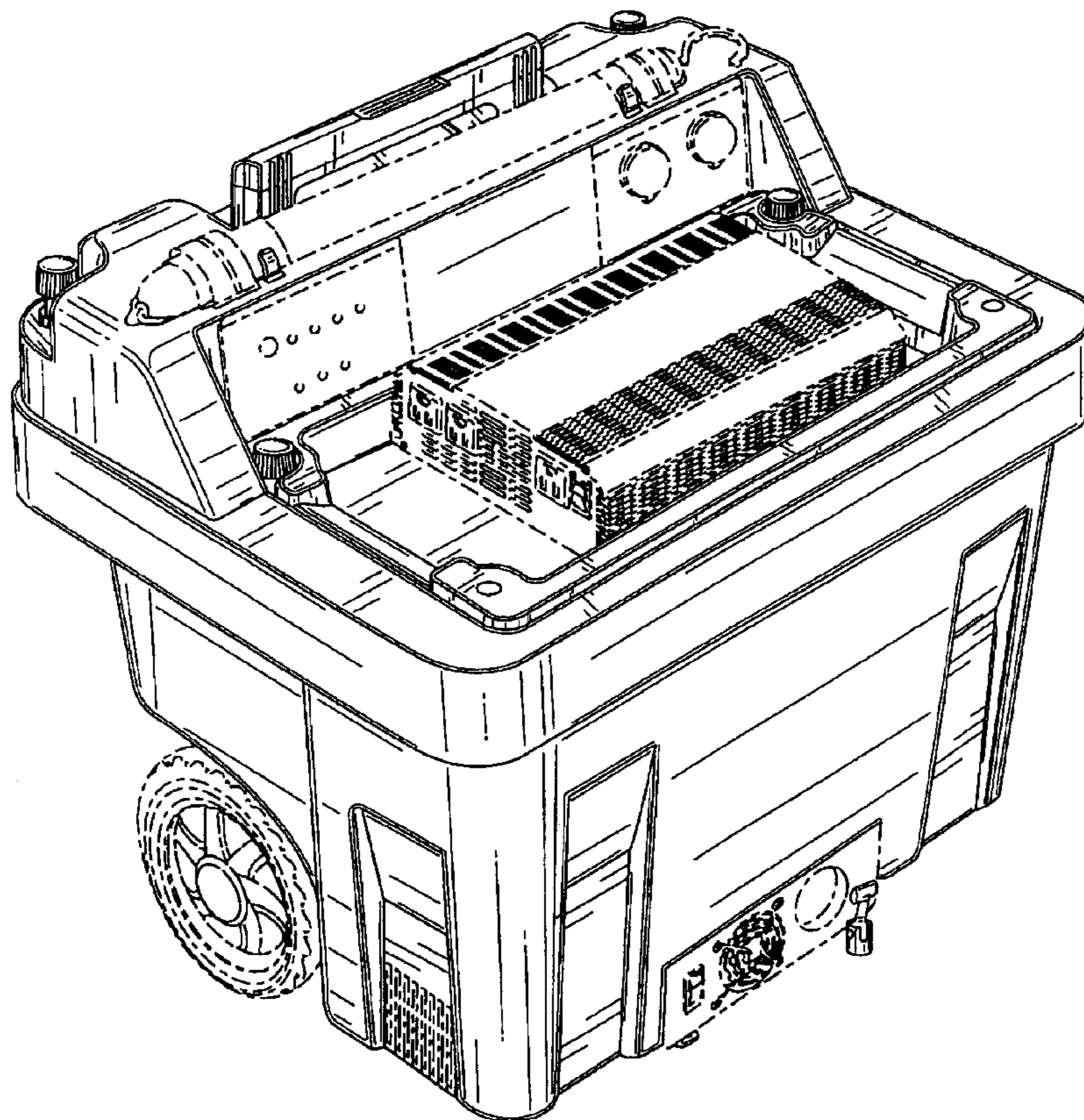
FIG. 5 is a left side view of the design shown in FIG. 1;

FIG. 6 is a top view of the design shown in FIG. 1; and,

FIG. 7 is a bottom view of the design shown in FIG. 1.

The broken lines immediately adjacent the shaded areas
represent the bounds of the claimed design while all other
broken lines are for illustrative purposes only; the broken
lines form no part of the claimed design.

1 Claim, 7 Drawing Sheets



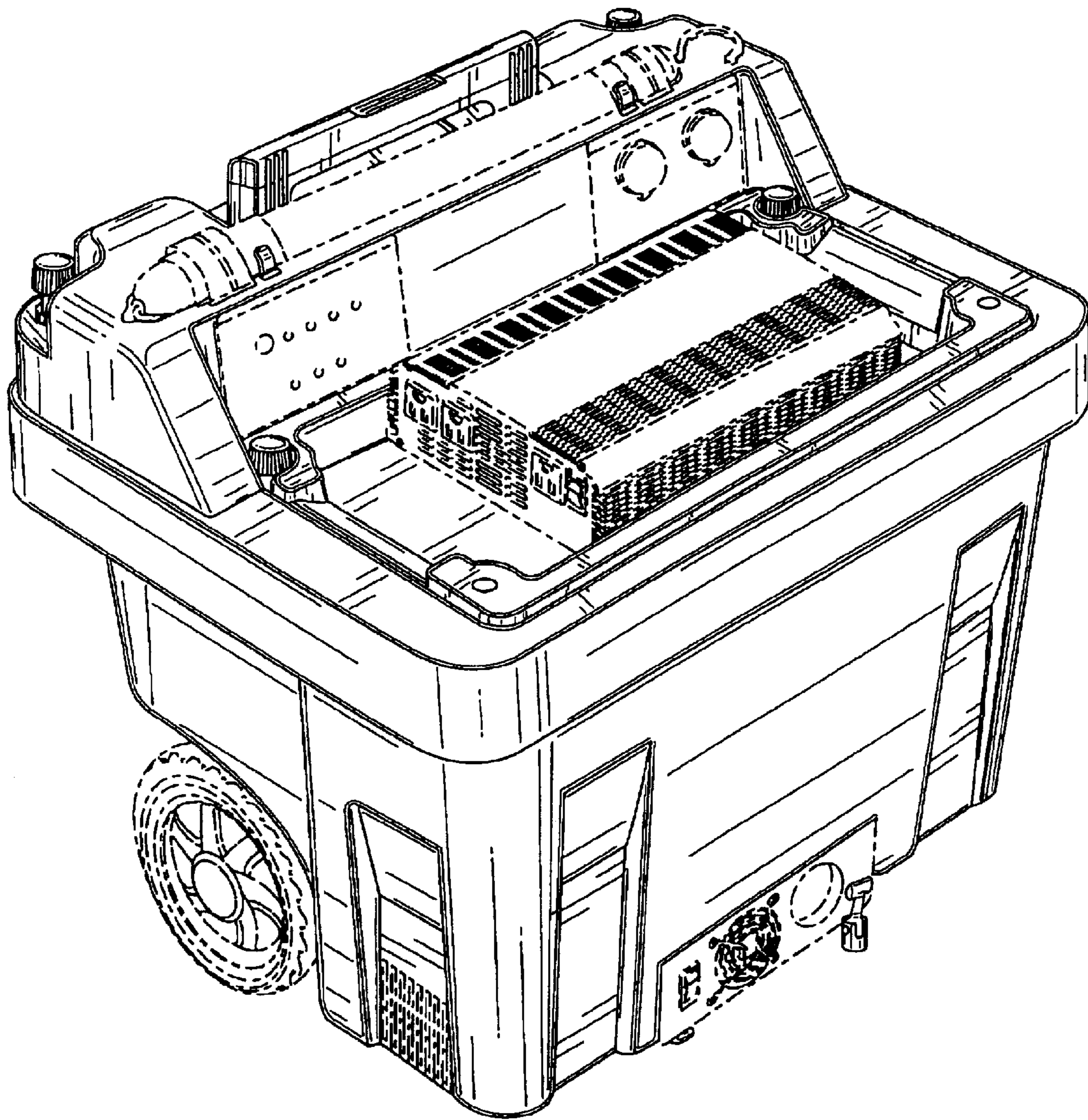


FIG. 1

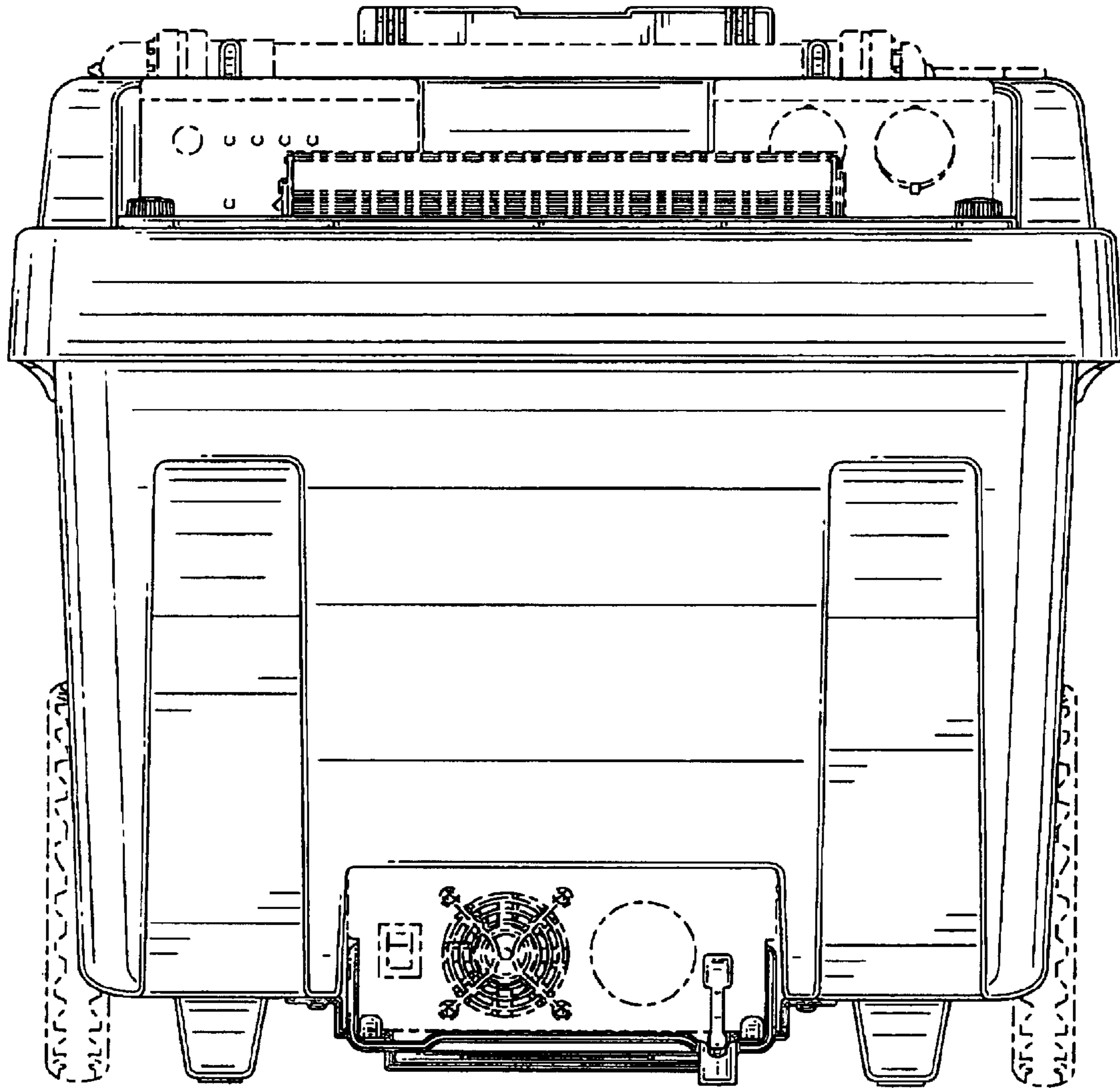


FIG. 2

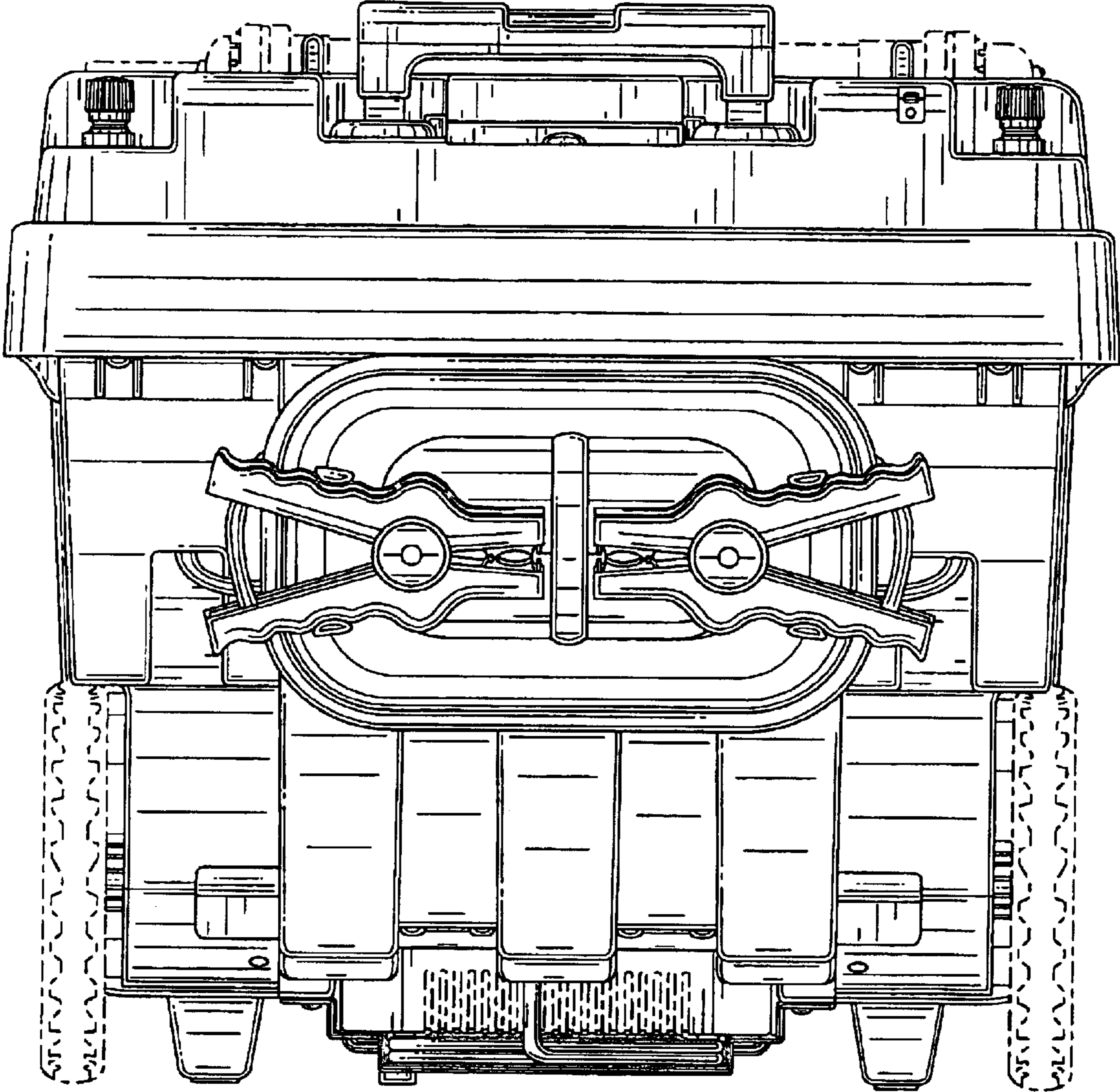


FIG. 3

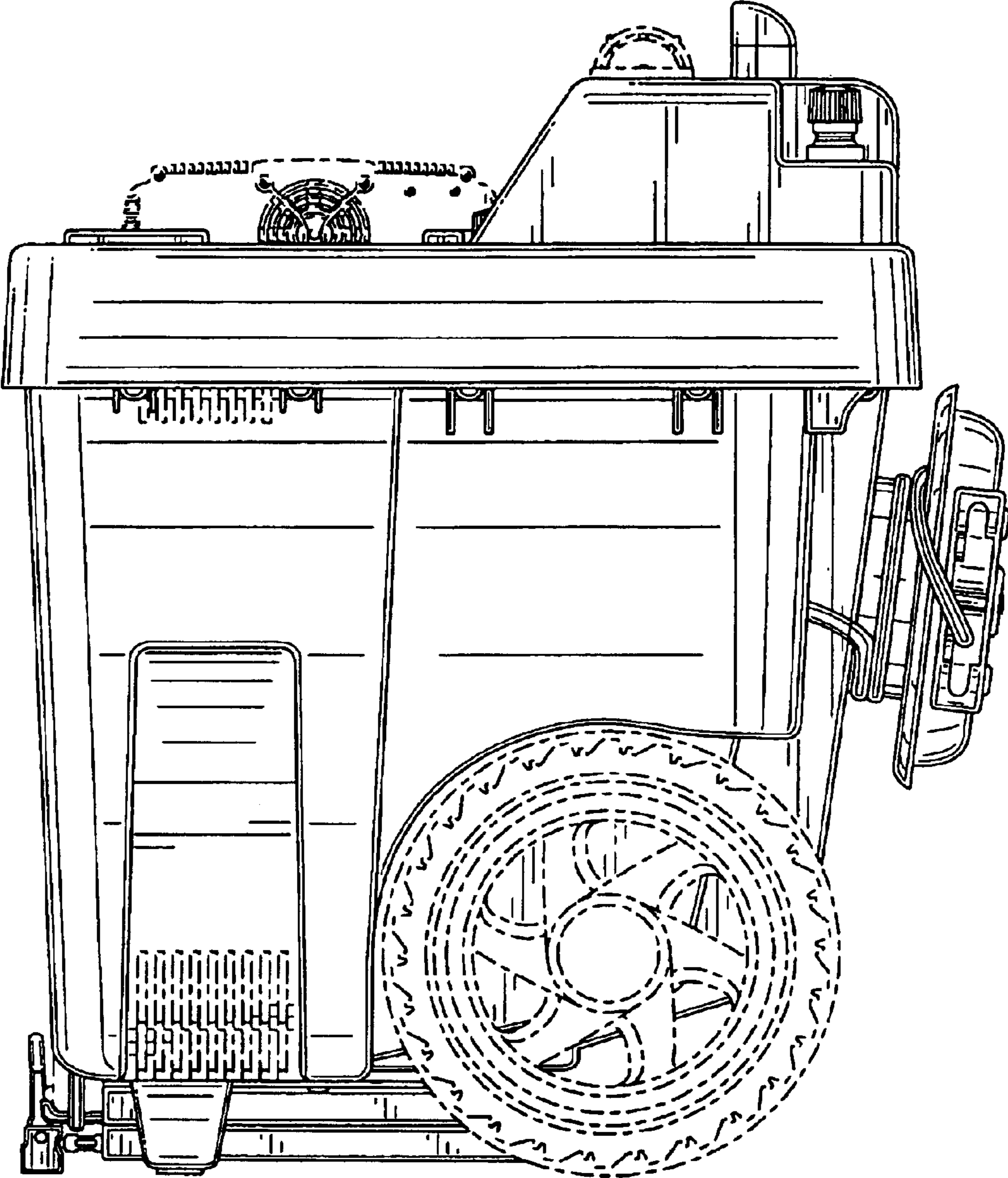


FIG. 4

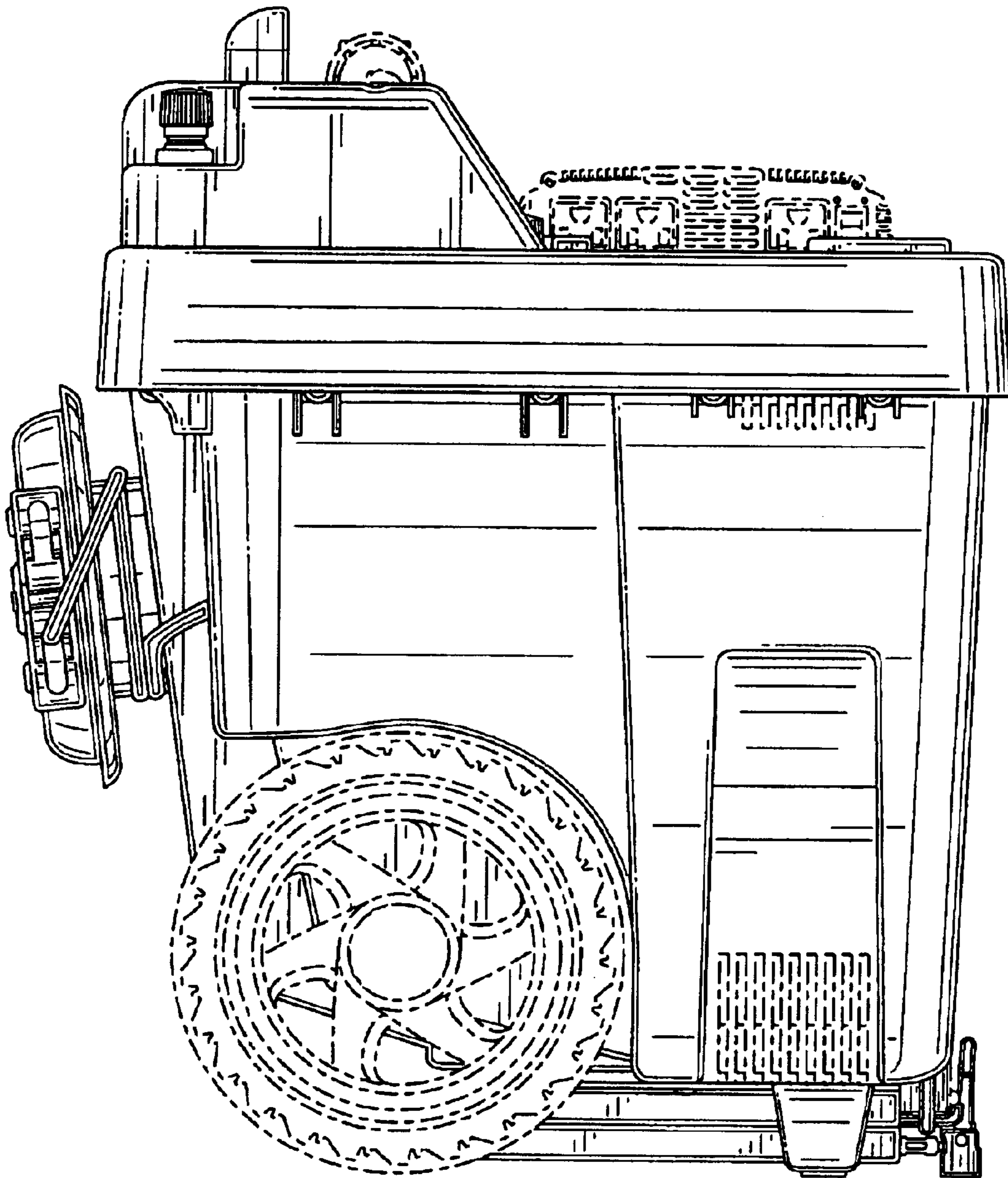


FIG. 5

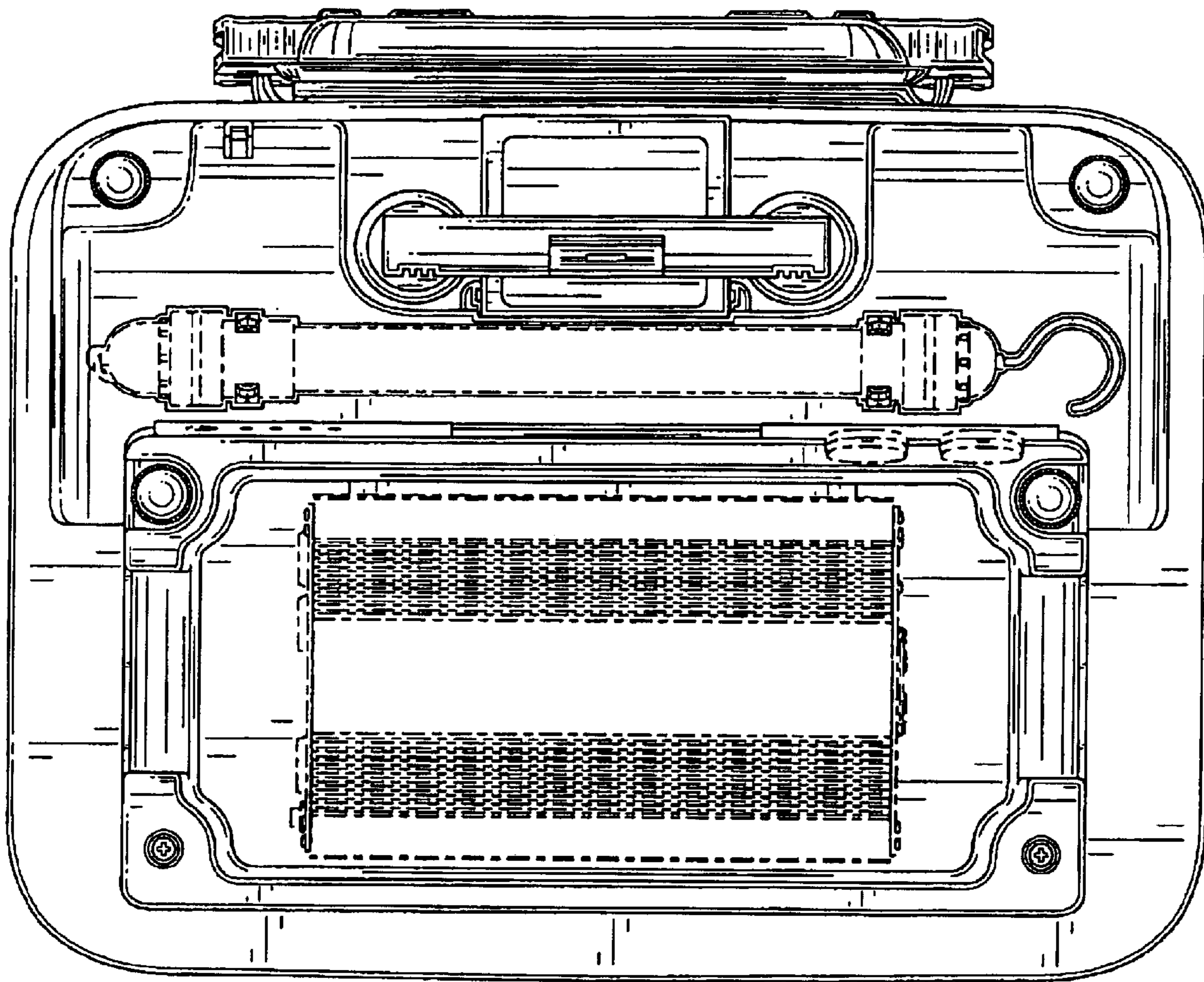


FIG. 6

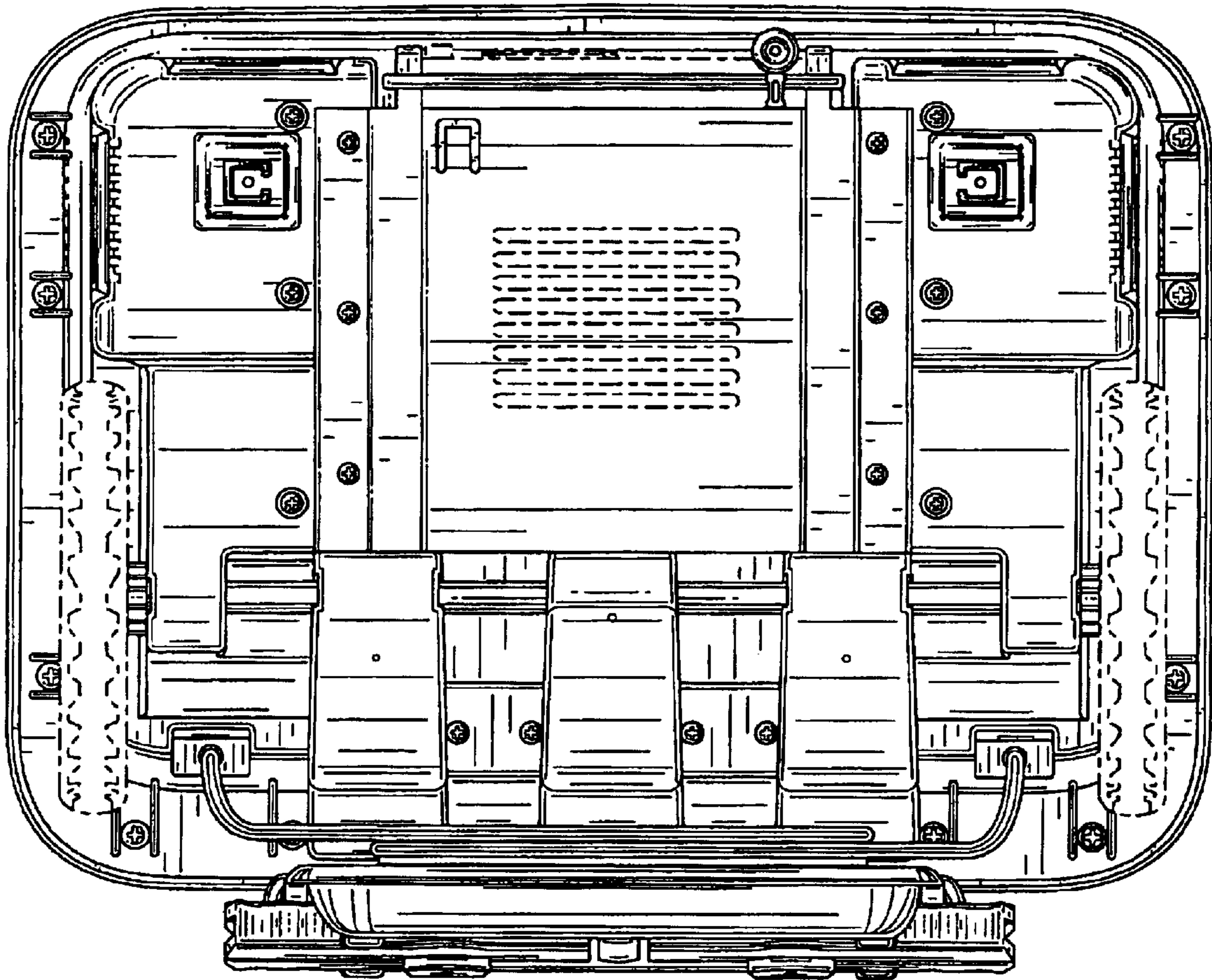


FIG. 7