

US00D494536S1

(12) **United States Design Patent** (10) **Patent No.:** **US D494,536 S**
Pu (45) **Date of Patent:** **** Aug. 17, 2004**

(54) **HINGED SOLAR COLLECTOR FOR LIGHT**

(75) Inventor: **Mingqiang Pu**, Guangzhou (CN)

(73) Assignee: **World Factory, Inc.**, Southlake, TX (US)

(**) Term: **14 Years**

(21) Appl. No.: **29/178,330**

(22) Filed: **Mar. 24, 2003**

(51) **LOC (7) Cl.** **13-02**

(52) **U.S. Cl.** **D13/102; D26/113**

(58) **Field of Search** **D13/102; D26/113;**
136/251; 126/569, 704, 707, 708, 711,
712

(56) **References Cited**

U.S. PATENT DOCUMENTS

D254,693 S	*	4/1980	Yahraus et al.	D26/123
4,346,696 A	*	8/1982	Brunet	126/705
4,513,731 A	*	4/1985	Campbell	126/569
D288,593 S	*	3/1987	Campbell	D13/102
4,999,060 A	*	3/1991	Szekely et al.	136/251

* cited by examiner

Primary Examiner—Jennifer Rivard

(74) *Attorney, Agent, or Firm*—Melvin A. Hunn

(57) **CLAIM**

The ornamental design for a hinged solar collector for light, as shown and described.

DESCRIPTION

FIG. 1 is a perspective view of the hinged solar collector for light according to the present invention.

FIG. 2 is a front view of the hinged solar collector for light according to the present invention.

FIG. 3 is a right side view of the hinged solar collector for light according to the present invention.

FIG. 4 is a left side view of the hinged solar collector for light according to the present invention.

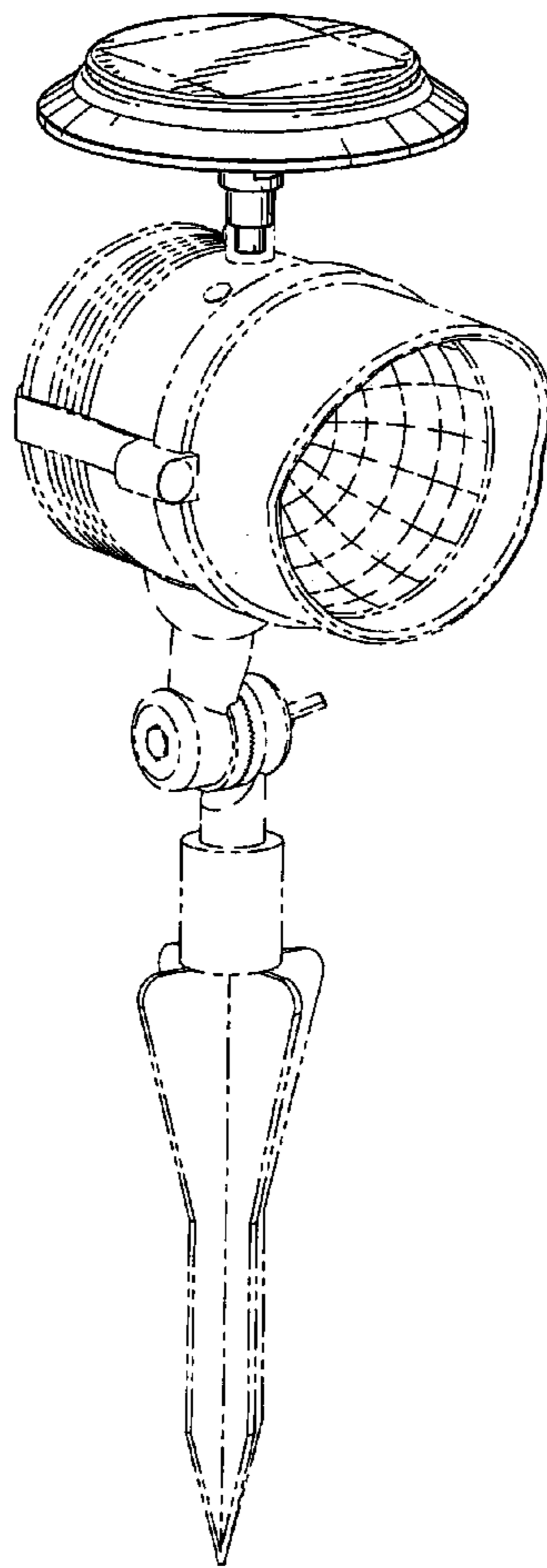
FIG. 5 is a rear view of the hinged solar collector for light according to the present invention.

FIG. 6 is a top view of the hinged solar collector for light according to the present invention; and,

FIG. 7 is a bottom view of the hinged solar collector for light according to the present invention.

The broken lines are for illustrative purposes only and form no part of the claimed invention.

1 Claim, 2 Drawing Sheets



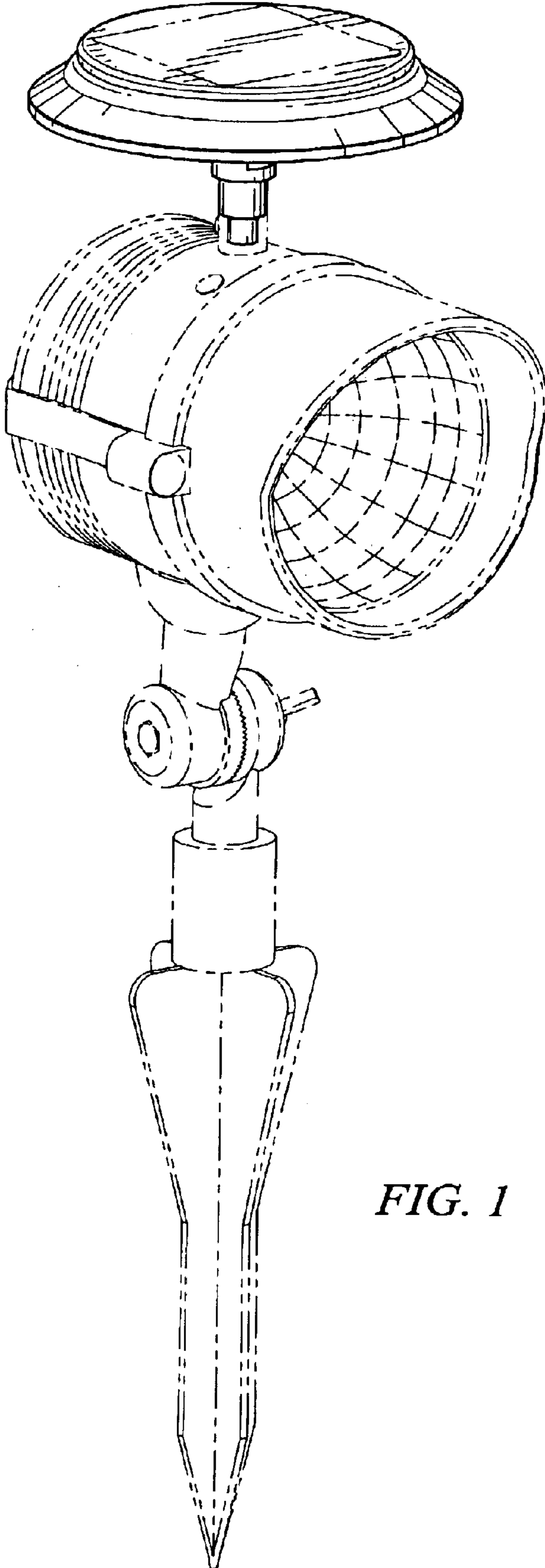


FIG. 1

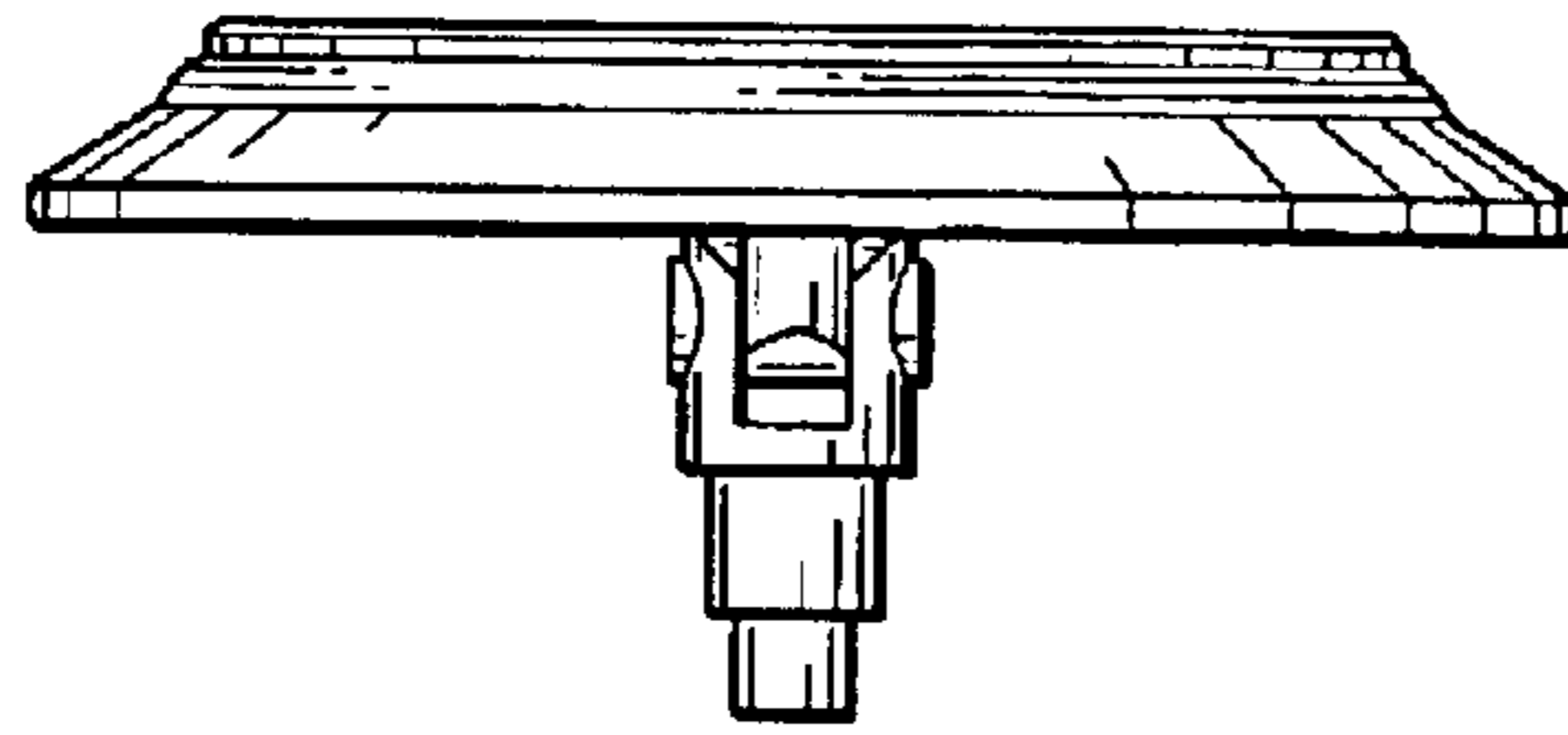


FIG. 2

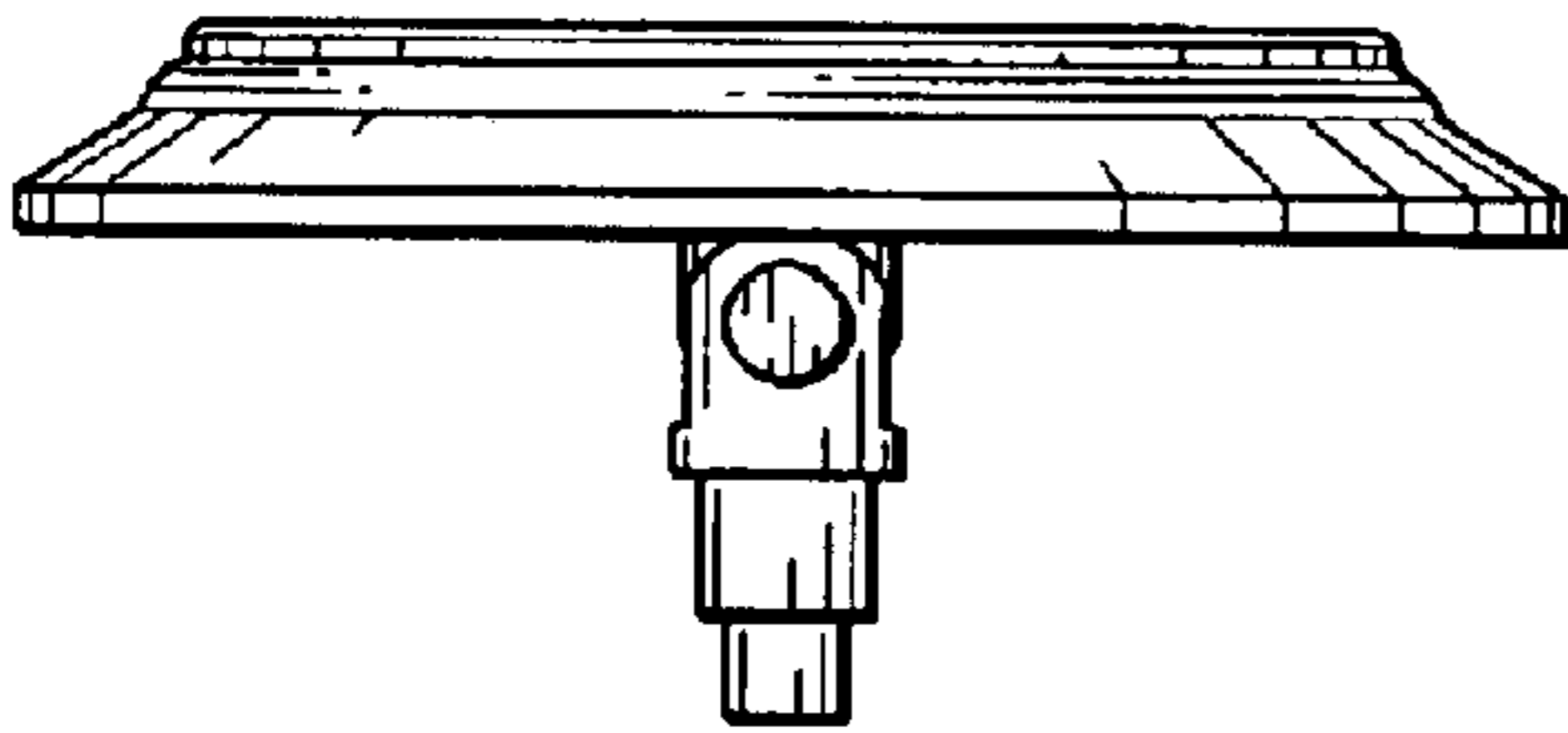


FIG. 3

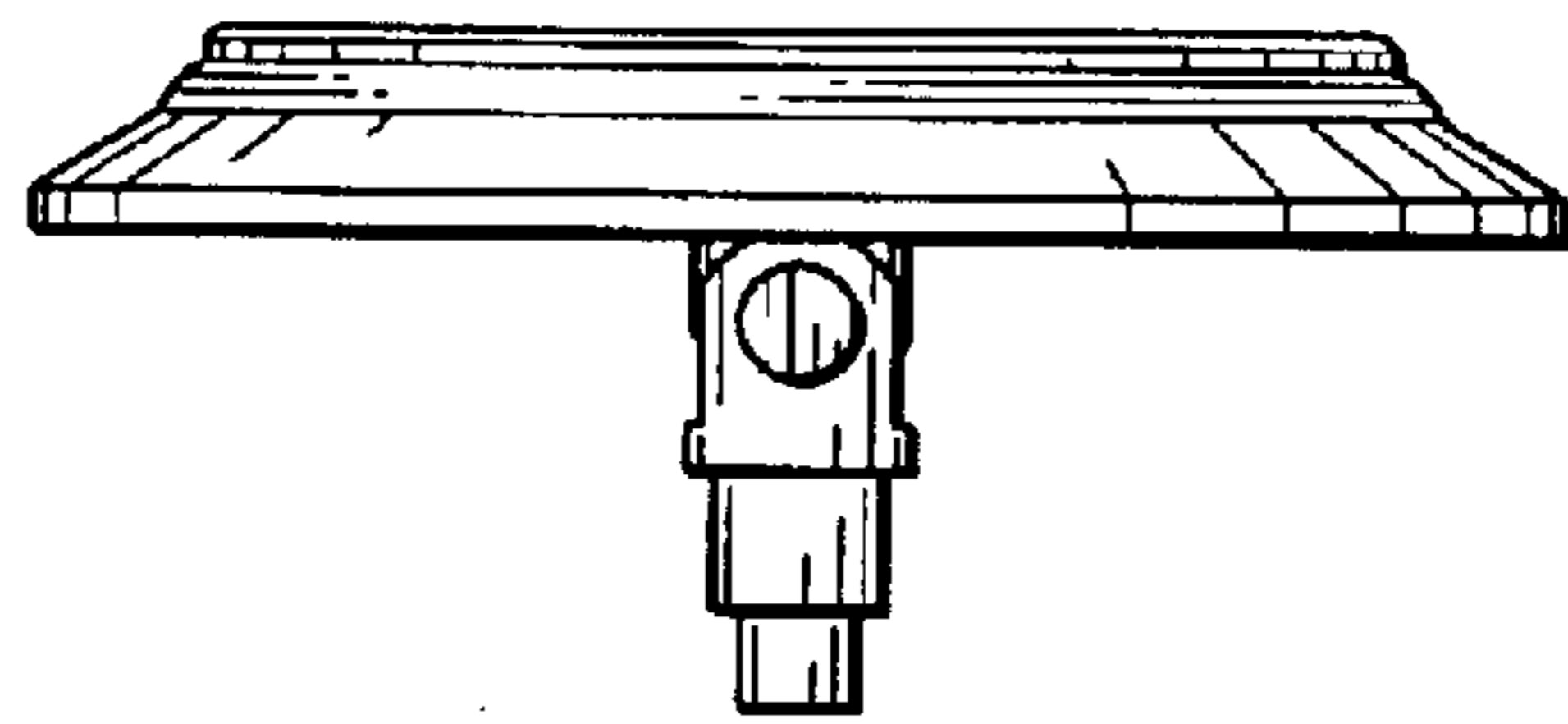


FIG. 4

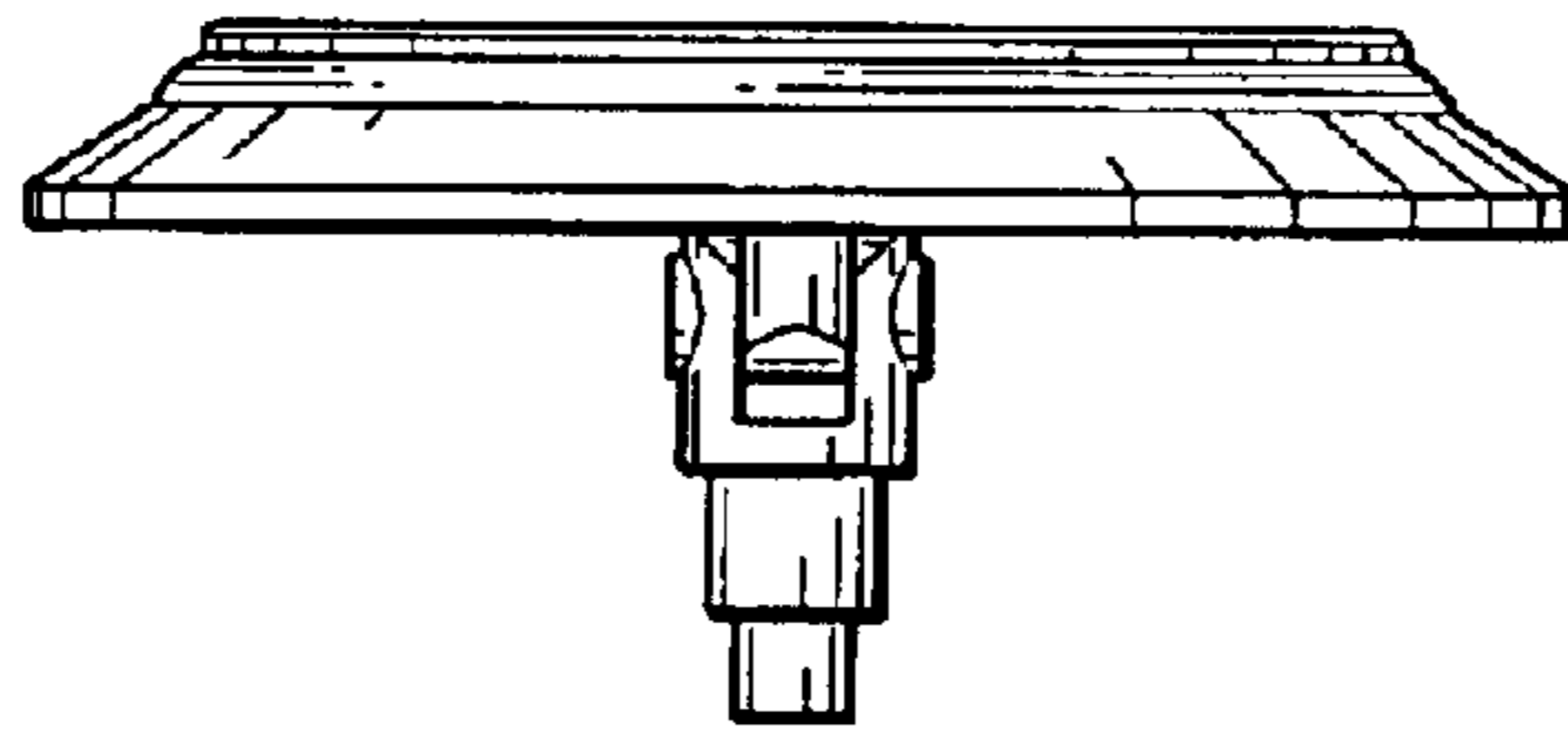


FIG. 5

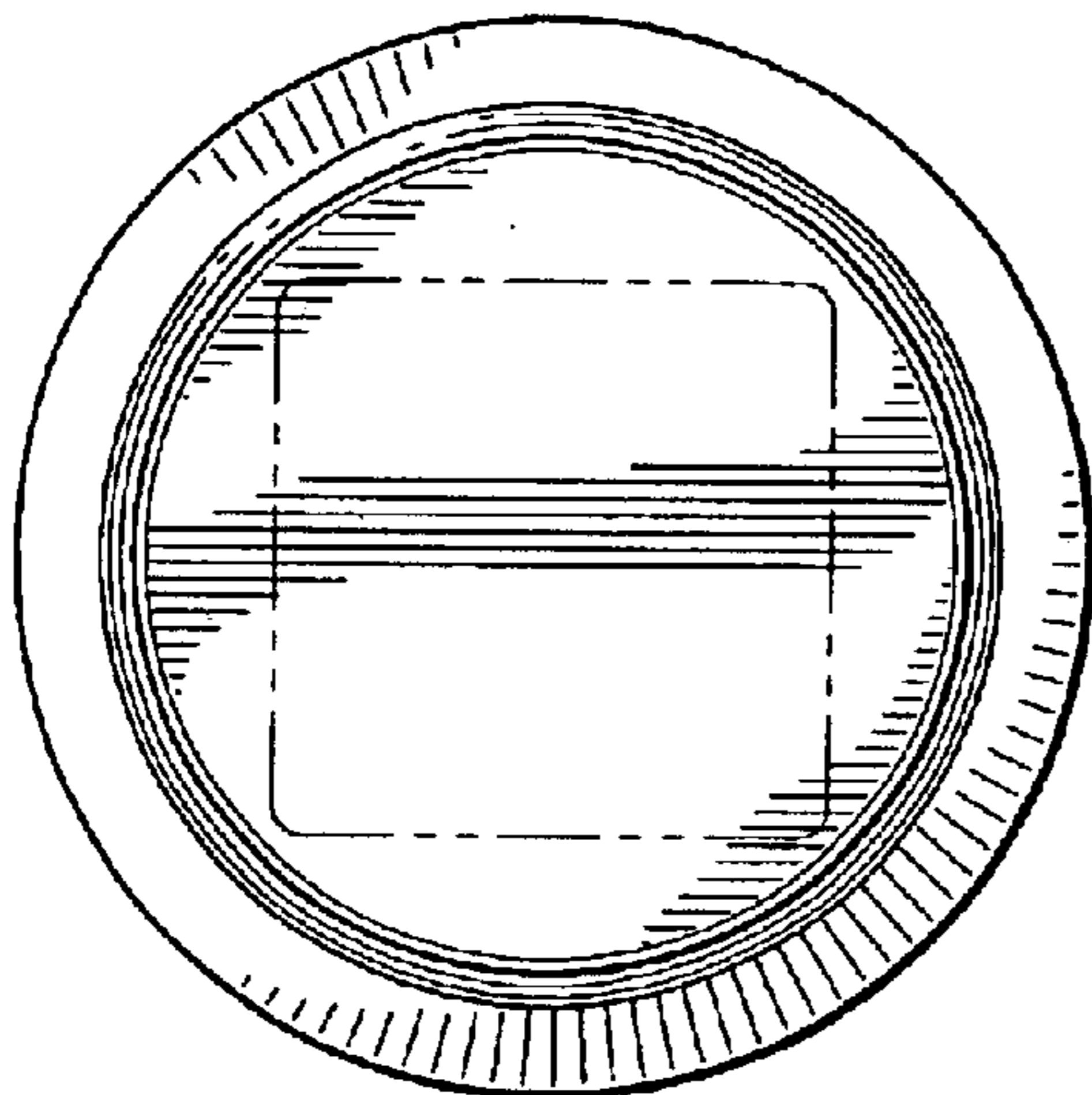


FIG. 6

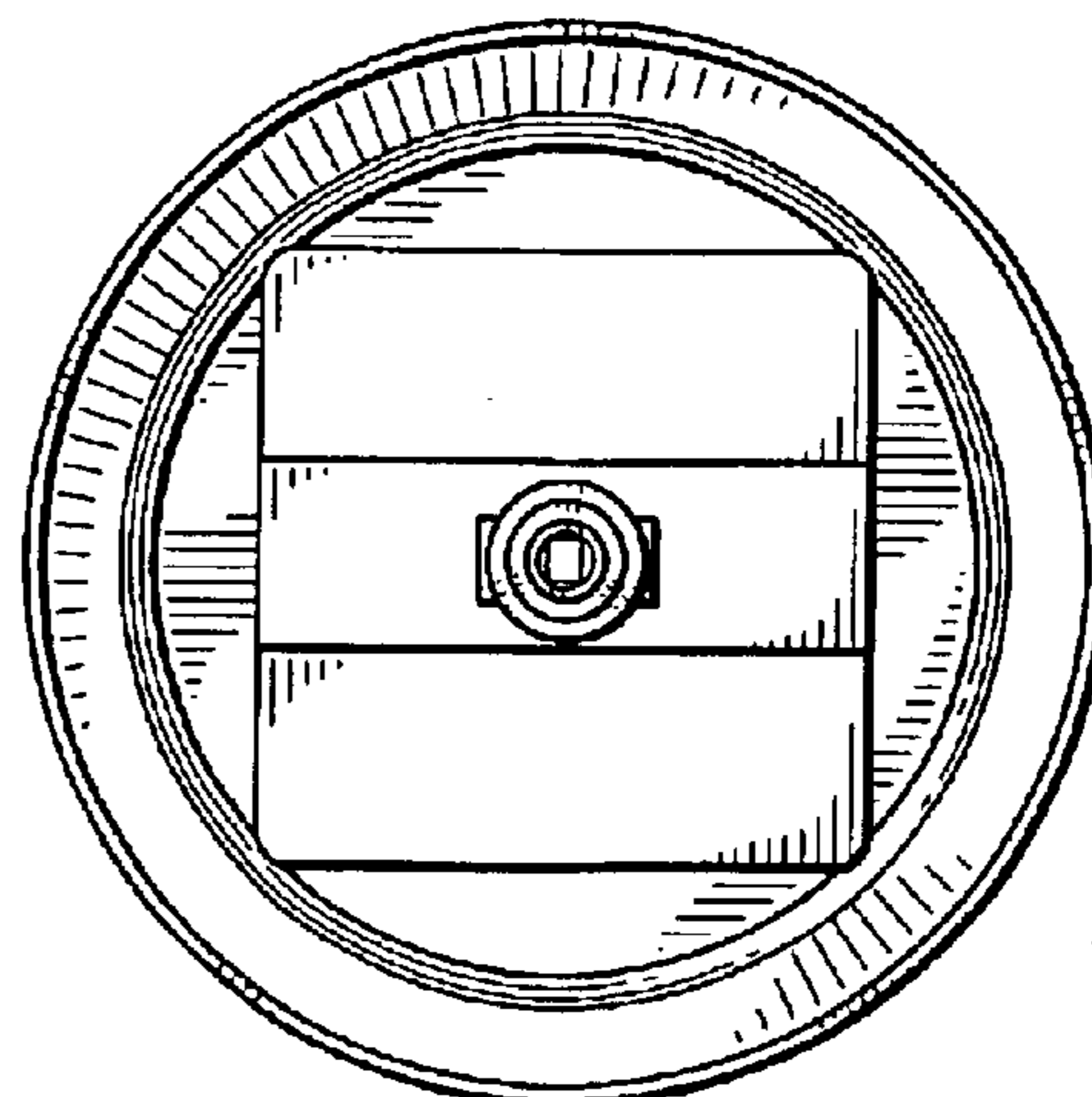


FIG. 7