

US00D494535S1

(12) **United States Design Patent**
McCoy et al.

(10) **Patent No.:** **US D494,535 S**

(45) **Date of Patent:** **** Aug. 17, 2004**

(54) **MODULAR CARGO HOLDER**

(75) **Inventors:** **Richard W. McCoy**, Granger, IN (US);
Jason R. Moldthan, Osceola, IN (US);
George Otto Snook, South Bend, IN (US)

(73) **Assignee:** **Cequent Towing Products, Inc.**,
Plymouth, MI (US)

(**) **Term:** **14 Years**

(21) **Appl. No.:** **29/181,827**

(22) **Filed:** **May 15, 2003**

(51) **LOC (7) Cl.** **12-16**

(52) **U.S. Cl.** **D12/423**

(58) **Field of Search** D12/412-414.1,
D12/423-425; 296/37.15, 37.16, 37.6, 24.1,
37.1-37.5; 224/400-404, 539-541, 309-311,
314, 320-324; D3/905, 294, 272-273; 206/315.1,
315.11, 515-520

(56) **References Cited**

U.S. PATENT DOCUMENTS

D261,499 S	*	10/1981	Sauber	D12/413
D294,816 S	*	3/1988	Hoyt	D12/413
5,215,234 A		6/1993	Pasley		
D346,143 S	*	4/1994	Black	D12/413
D352,496 S	*	11/1994	Gower	D12/423

5,439,151 A		8/1995	Clayton		
5,460,304 A		10/1995	Porter et al.		
D369,140 S	*	4/1996	Sills	D12/423
D394,953 S	*	6/1998	Hays et al.	D3/273
D400,159 S	*	10/1998	Niemi et al.	D12/423
D403,653 S	*	1/1999	DeShong et al.	D12/414.1
D403,654 S	*	1/1999	Houry	D12/414.1
6,170,724 B1	*	1/2001	Carter et al.	224/404
D462,312 S	*	9/2002	Klein	D12/413
D475,007 S	*	5/2003	McCoy et al.	D12/423

* cited by examiner

Primary Examiner—Stacia Cadmus

(74) *Attorney, Agent, or Firm*—King & Schickli, PLLC

(57) **CLAIM**

The ornamental design of a modular cargo holder, as shown and described.

DESCRIPTION

FIG. 1 is a perspective view of the modular cargo holder of the present invention;
FIG. 2 is a front elevational view thereof;
FIG. 3 is a rear elevational view;
FIG. 4 is a top plan view thereof;
FIG. 5 is a bottom plan view thereof;
FIG. 6 is a left side elevational view thereof; and,
FIG. 7 is a right side elevational view thereof.

1 Claim, 4 Drawing Sheets

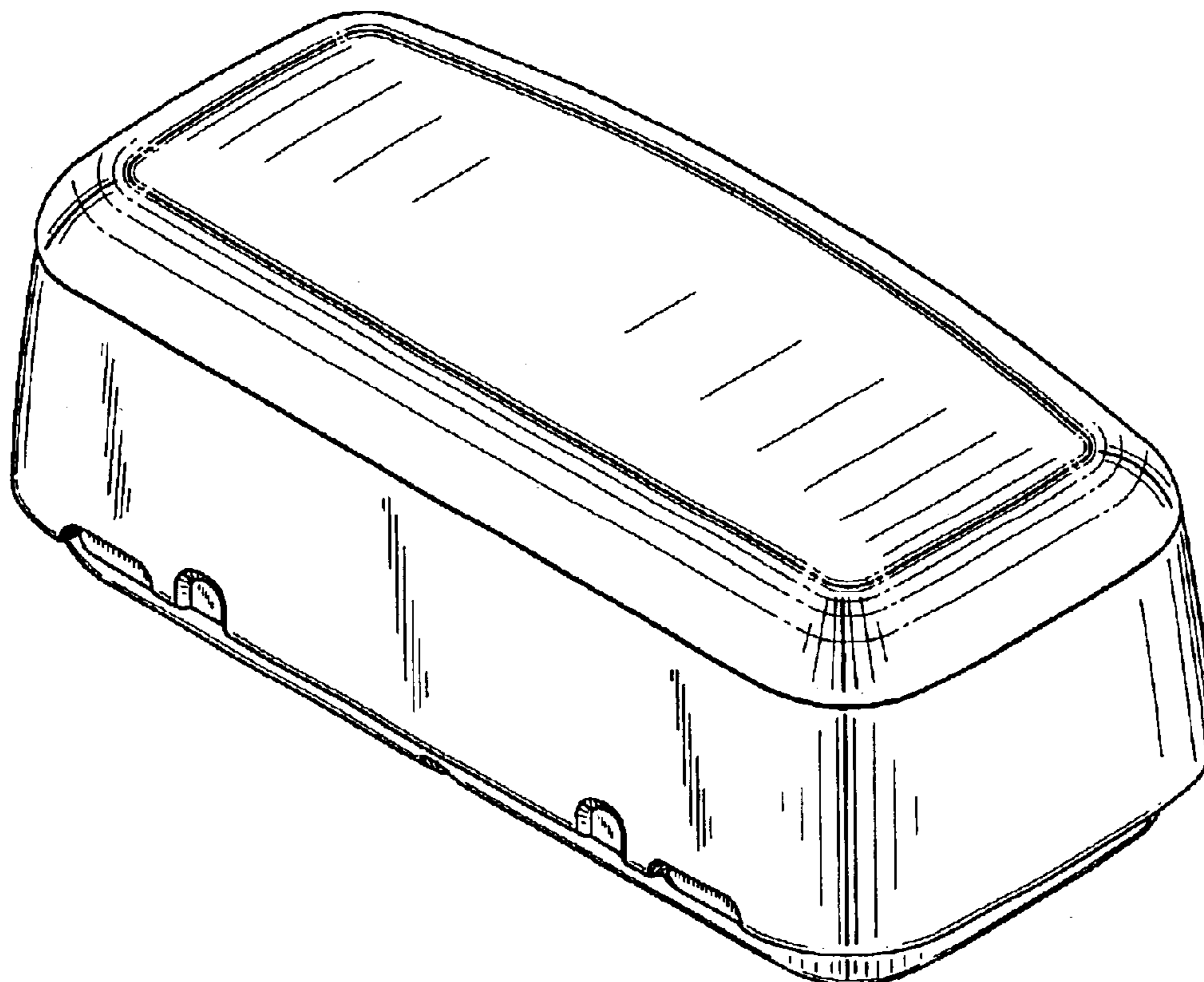


FIG. 1

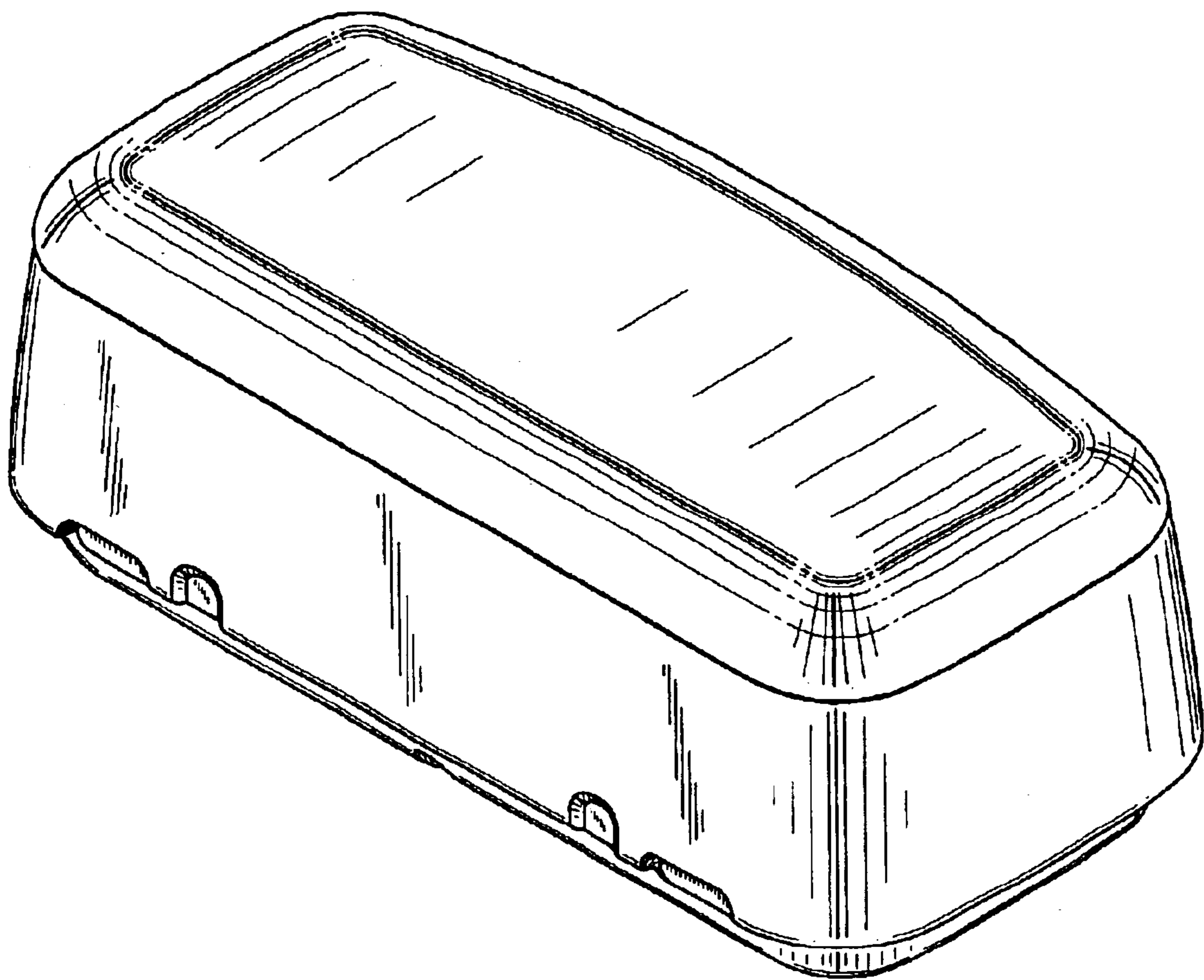


FIG. 2

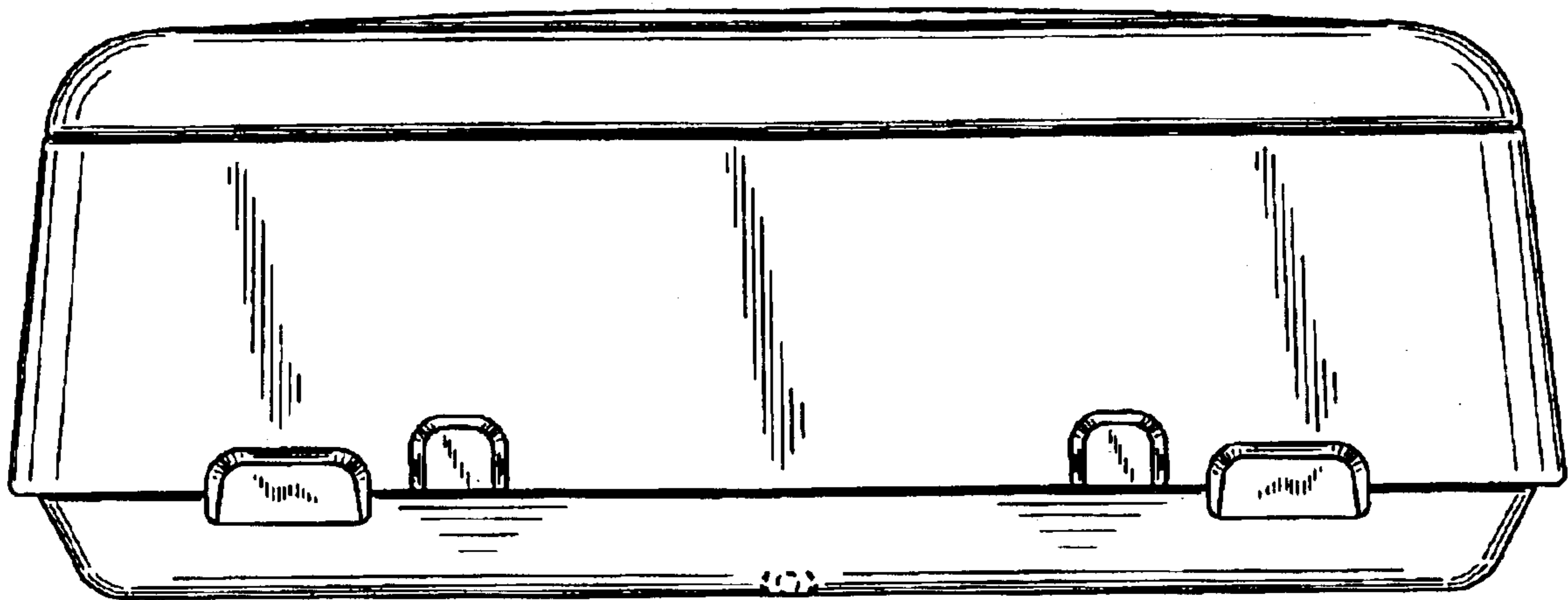


FIG. 3

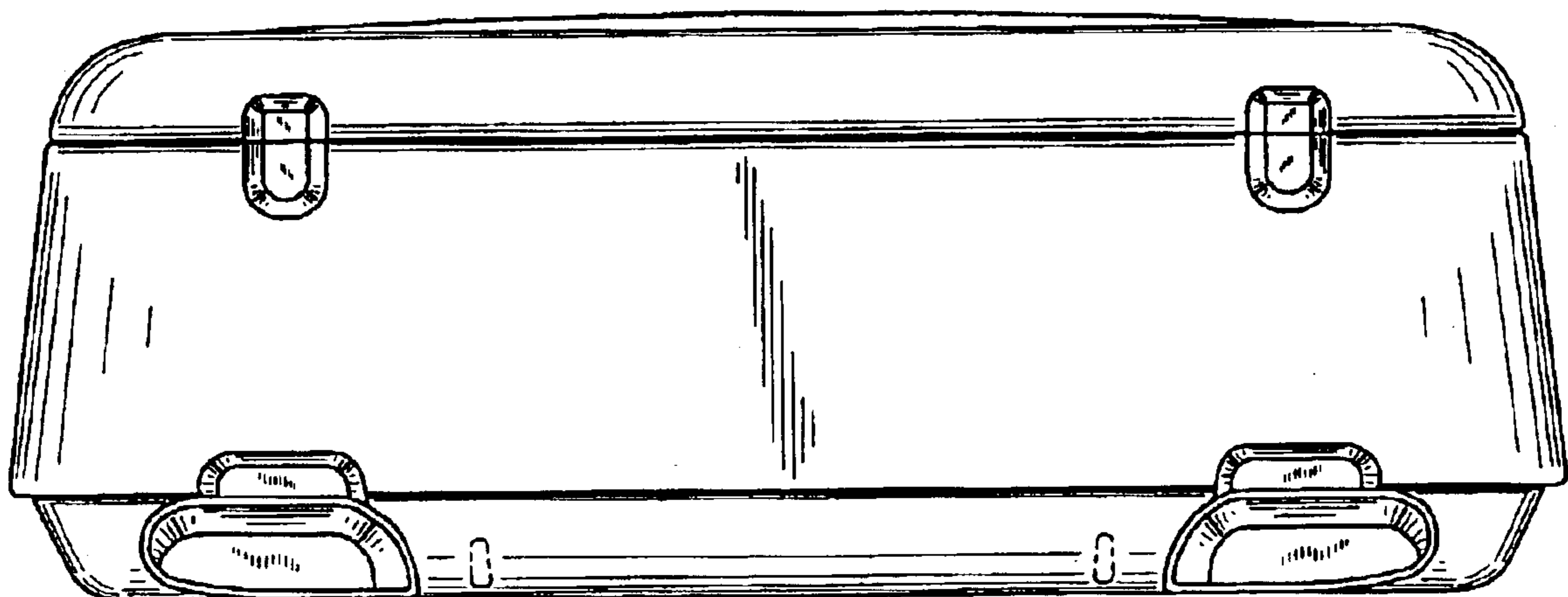


FIG. 4

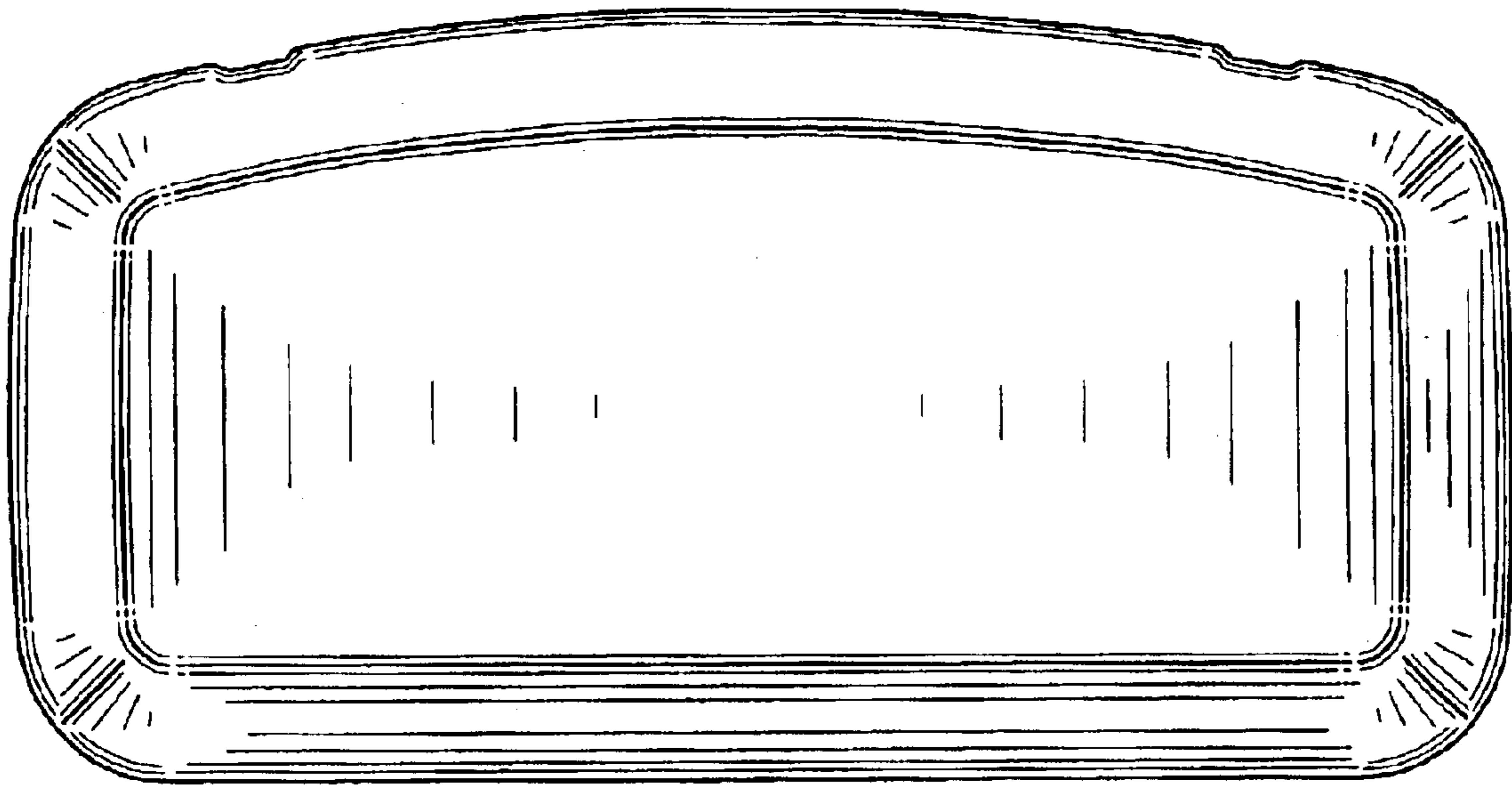


FIG. 5

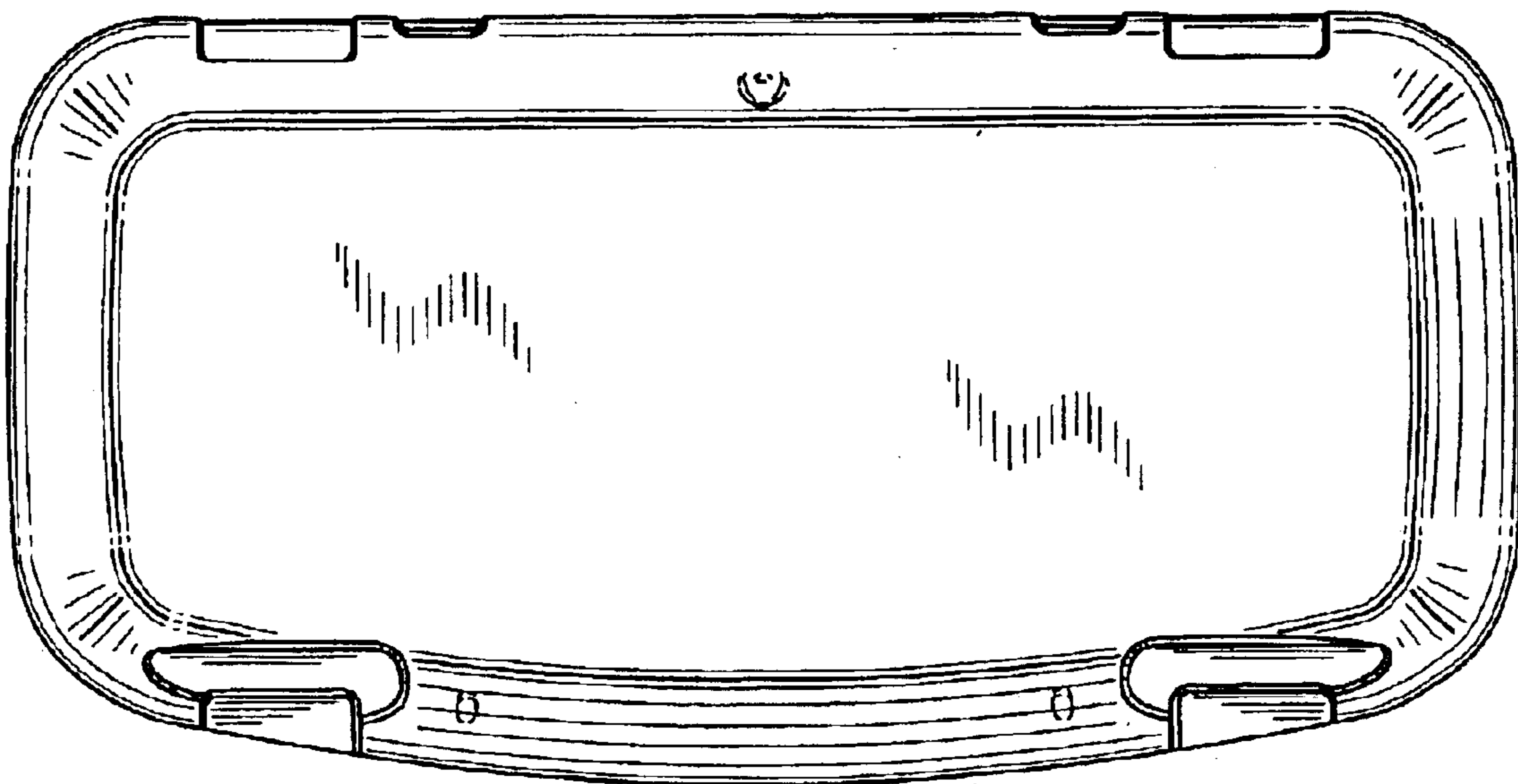


FIG. 6

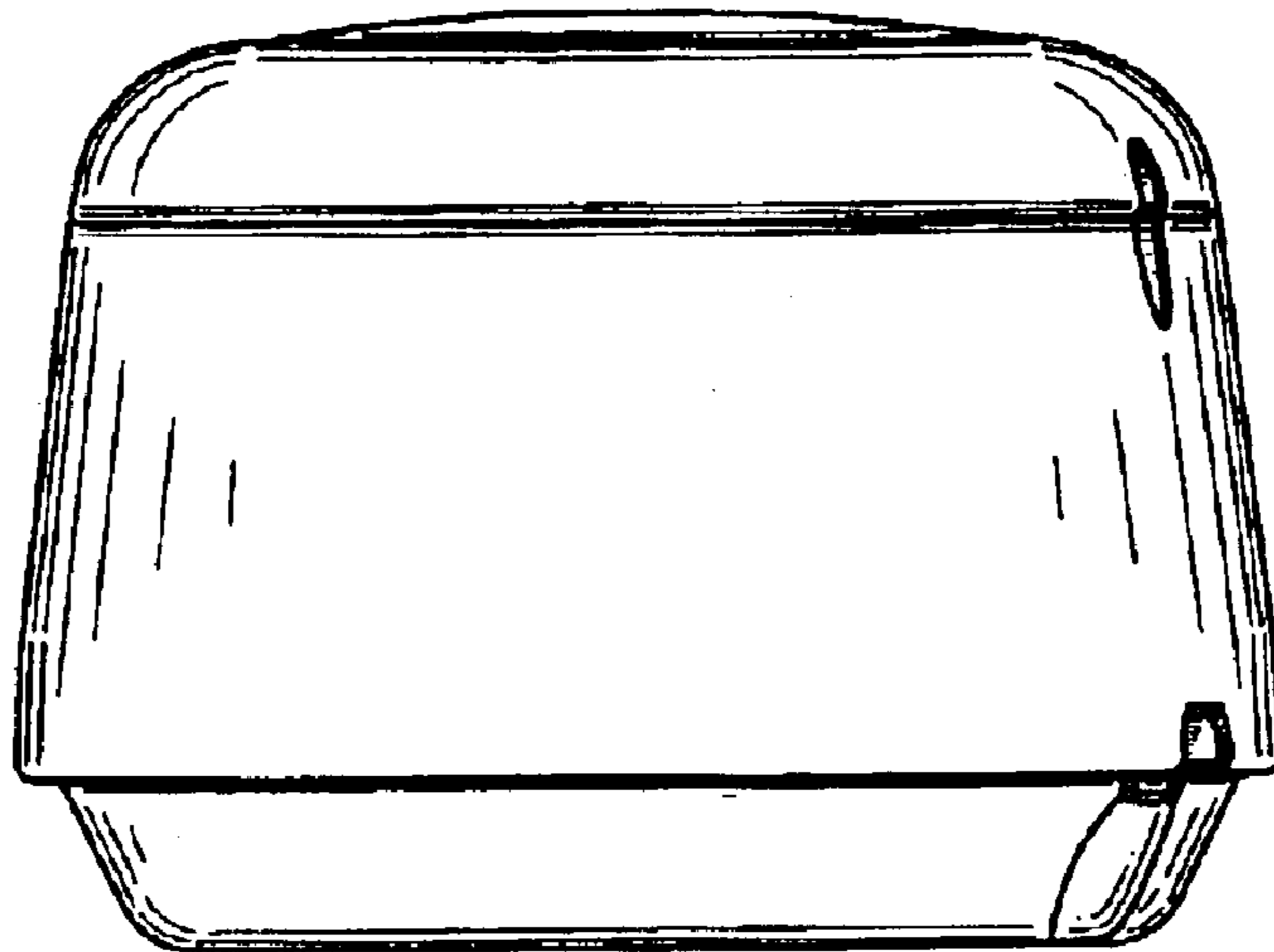


FIG. 7

