

US00D494528S1

(12) **United States Design Patent**
Chiang

(10) **Patent No.:** **US D494,528 S**

(45) **Date of Patent:** **** Aug. 17, 2004**

(54) **WINDSHIELD WIPER**

(75) **Inventor:** **Min Heng Chiang, Taipei Hsien (TW)**

(73) **Assignee:** **Fu Gang Co., Ltd., Taipei Hsien (TW)**

(**) **Term:** **14 Years**

(21) **Appl. No.:** **29/190,802**

(22) **Filed:** **Sep. 29, 2003**

(51) **LOC (7) Cl.** **12-06**

(52) **U.S. Cl.** **D12/219**

(58) **Field of Search** **D12/219-220;**
15/250.31-250.33, 250.351, 250.38, 250.4,
250.41, 250.201, 250.451-250.454

(56) **References Cited**

U.S. PATENT DOCUMENTS

D268,020 S	*	2/1983	Duvoux	D12/219
D296,317 S	*	6/1988	Mower et al.	D12/219
D354,473 S	*	1/1995	Lee	D12/219
D434,715 S	*	12/2000	Wang	D12/219

D453,316 S	*	2/2002	Watanabe	D12/219
D464,012 S	*	10/2002	Hussaini et al.	D12/219
D472,510 S	*	4/2003	Lin	D12/219
D487,047 S	*	2/2004	Kim	D12/219

* cited by examiner

Primary Examiner—Stacia Cadmus

(74) *Attorney, Agent, or Firm*—Leong C. Lei

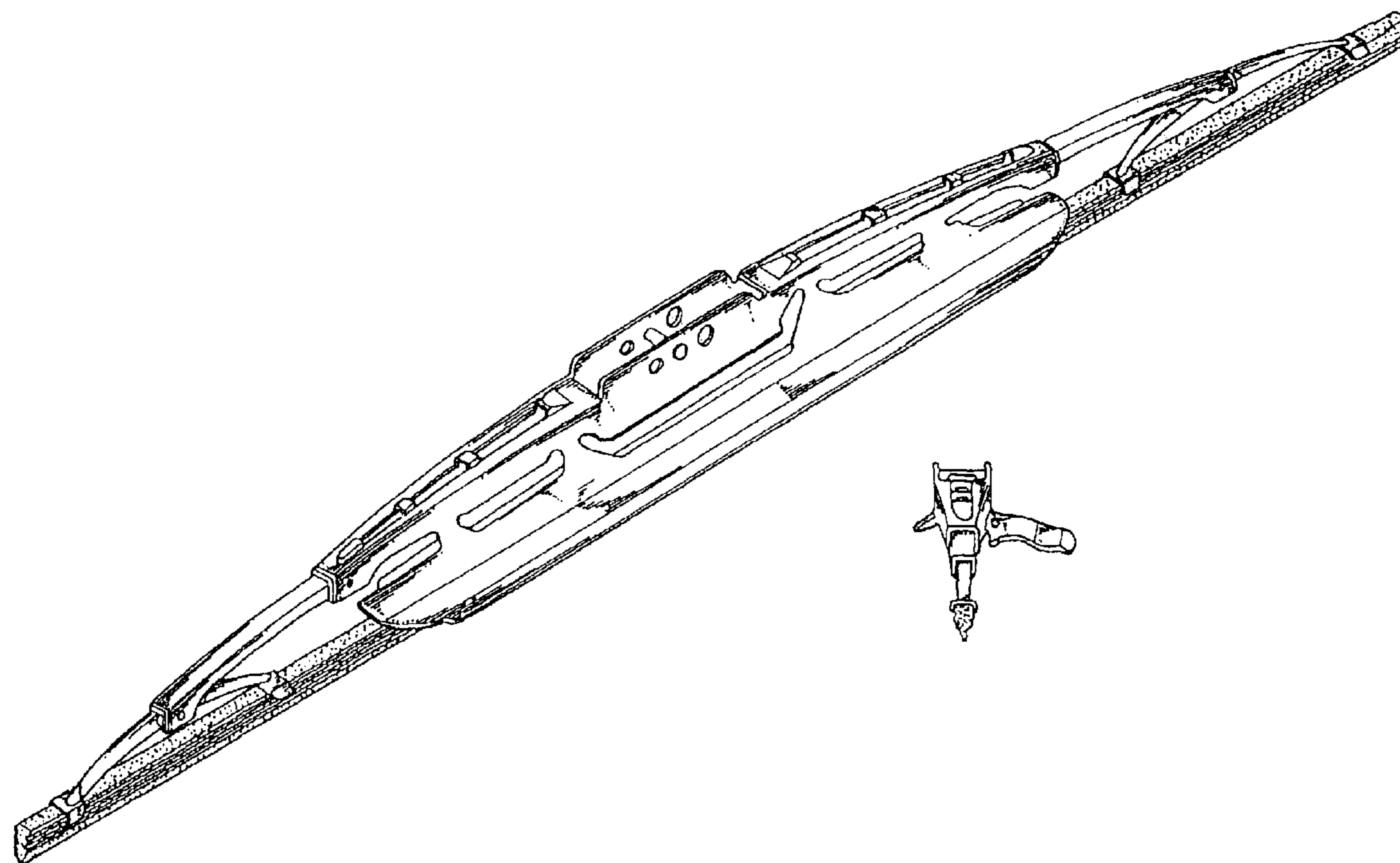
(57) **CLAIM**

The ornamental design for a windshield wiper, as shown and described.

DESCRIPTION

FIG. 1 is perspective view of a windshield wiper showing my new design;
FIG. 2 is a front side elevation view thereof;
FIG. 3 is a rear side elevation view thereof;
FIG. 4 is a left side elevation view thereof;
FIG. 5 is a right side elevation view thereof;
FIG. 6 is a top plan view thereof; and,
FIG. 7 is a bottom plan view thereof.

1 Claim, 6 Drawing Sheets



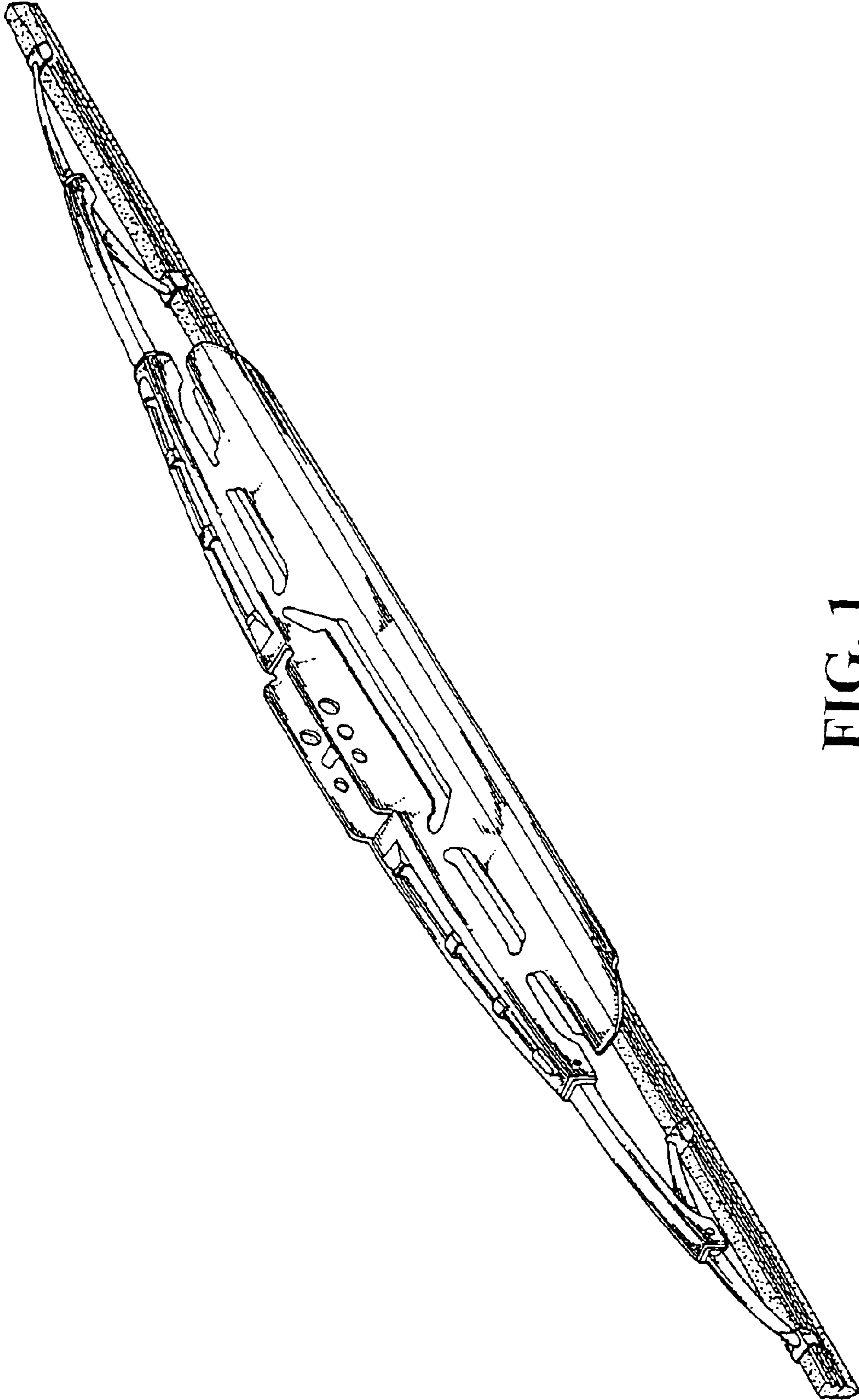


FIG. 1

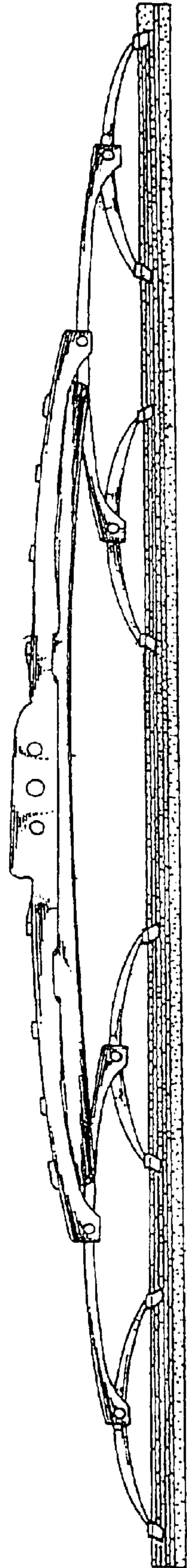


FIG. 2

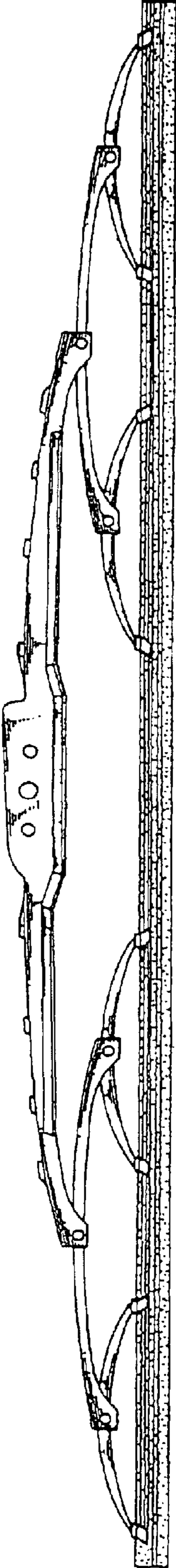


FIG. 3

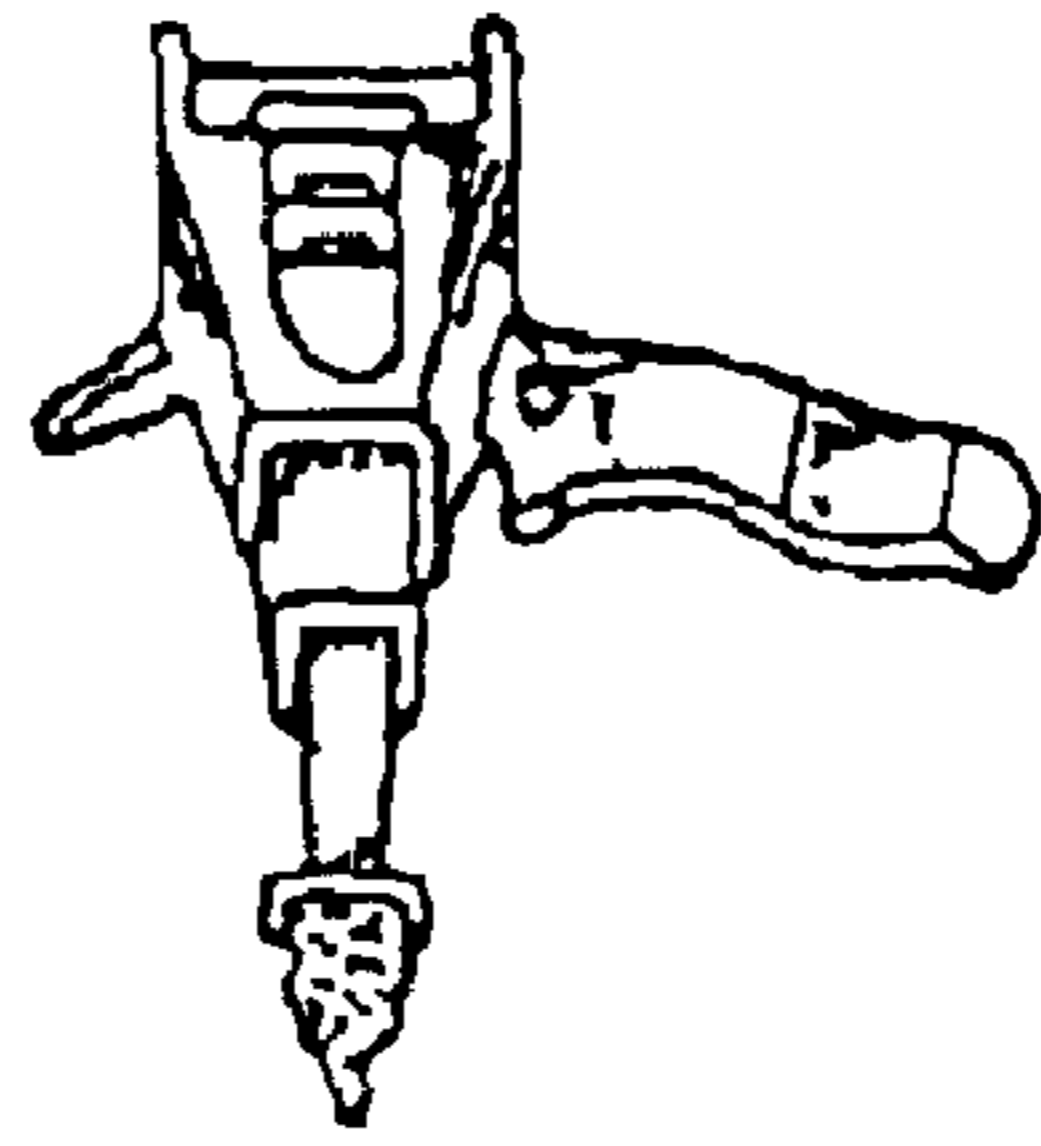


FIG. 4

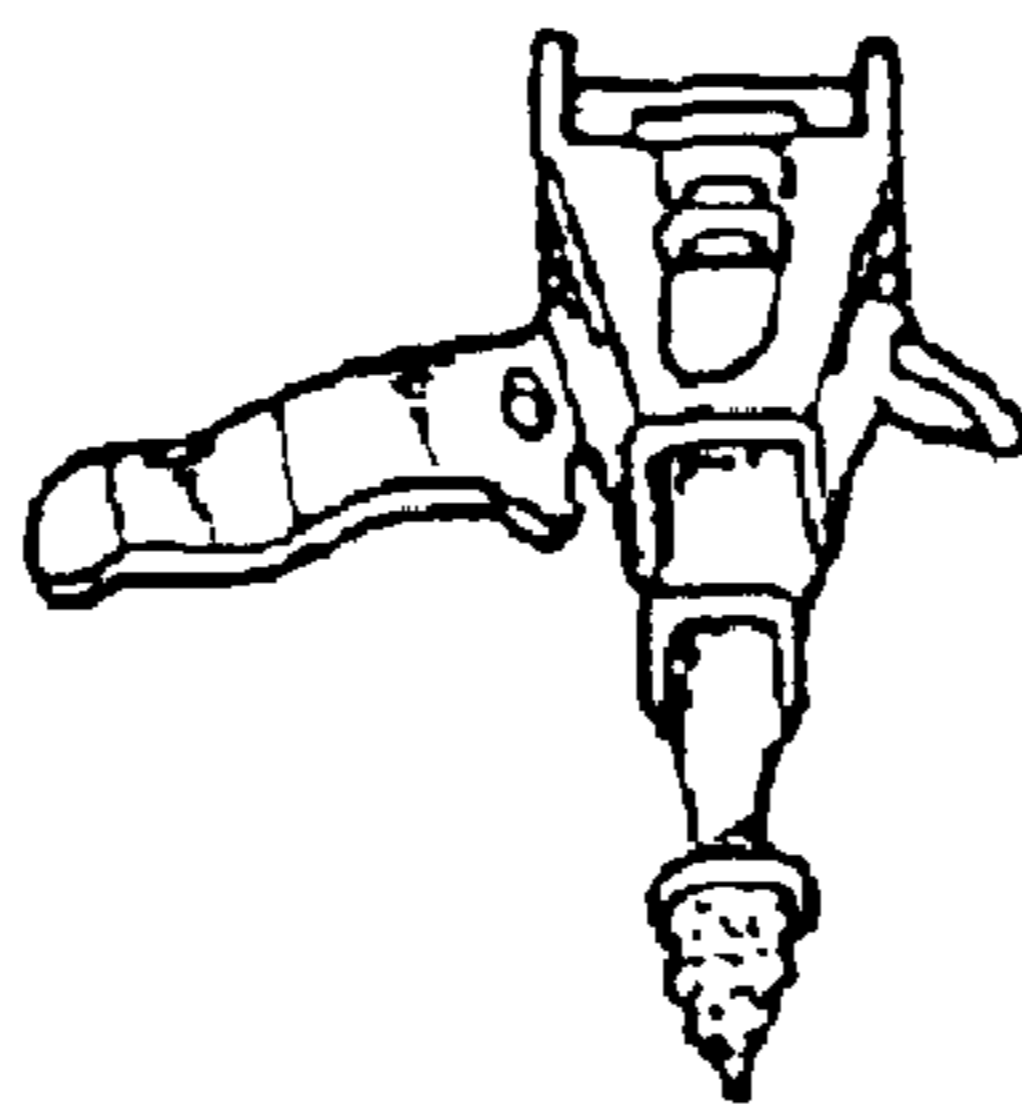


FIG. 5

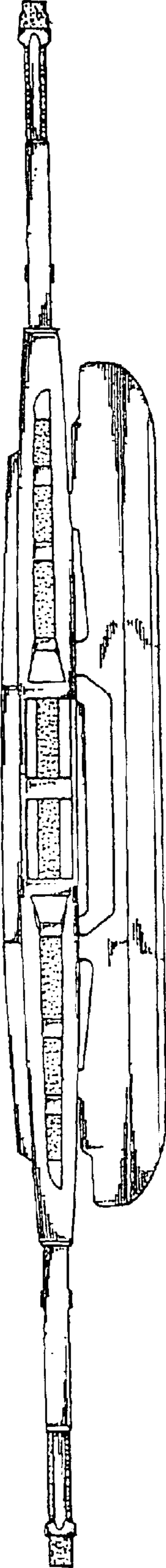


FIG. 6

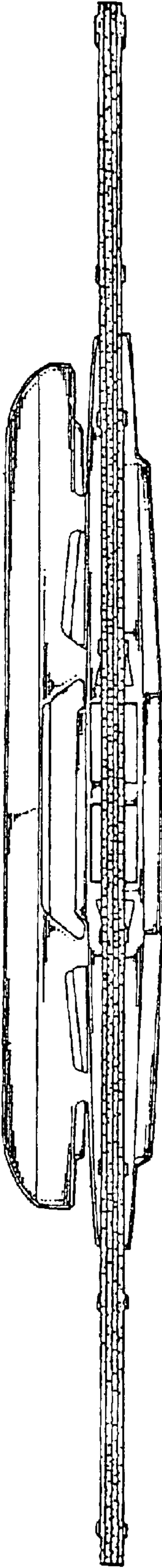


FIG. 7