

US00D494525S1

(12) **United States Design Patent**
Borkert

(10) **Patent No.:** **US D494,525 S**

(45) **Date of Patent:** **** Aug. 17, 2004**

(54) **FRONT FACE OF A VEHICLE WHEEL**

(75) **Inventor:** **Mitja Borkert, Pforzheim (DE)**

(73) **Assignee:** **Dr. Ing. h.c.F. Porsche
Aktiengesellschaft, Stuttgart (DE)**

(**) **Term:** **14 Years**

(21) **Appl. No.:** **29/194,218**

(22) **Filed:** **Nov. 21, 2003**

(30) **Foreign Application Priority Data**

May 23, 2003 (DE) 4 03 03 765

(51) **LOC (7) Cl.** **12-16**

(52) **U.S. Cl.** **D12/211**

(58) **Field of Search** D12/204-213;
301/37.101, 64.101, 65

(56) **References Cited**

U.S. PATENT DOCUMENTS

- D402,951 S * 12/1998 Wechner D12/211
- D405,749 S * 2/1999 Kulla D12/211
- D413,853 S * 9/1999 Hale, Jr. D12/211

- D414,454 S * 9/1999 Chung D12/211
- D450,649 S * 11/2001 Penzes D12/211
- D453,494 S * 2/2002 Brown et al. D12/211
- D457,118 S * 5/2002 Bhambra D12/211
- D473,836 S * 4/2003 Laengerer D12/211
- D479,178 S * 9/2003 Lai D12/211
- D482,309 S * 11/2003 Sulahian D12/211
- D484,447 S * 12/2003 Warming D12/211

* cited by examiner

Primary Examiner—Stacia Cadmus

(74) *Attorney, Agent, or Firm*—Crowell & Moring LLP

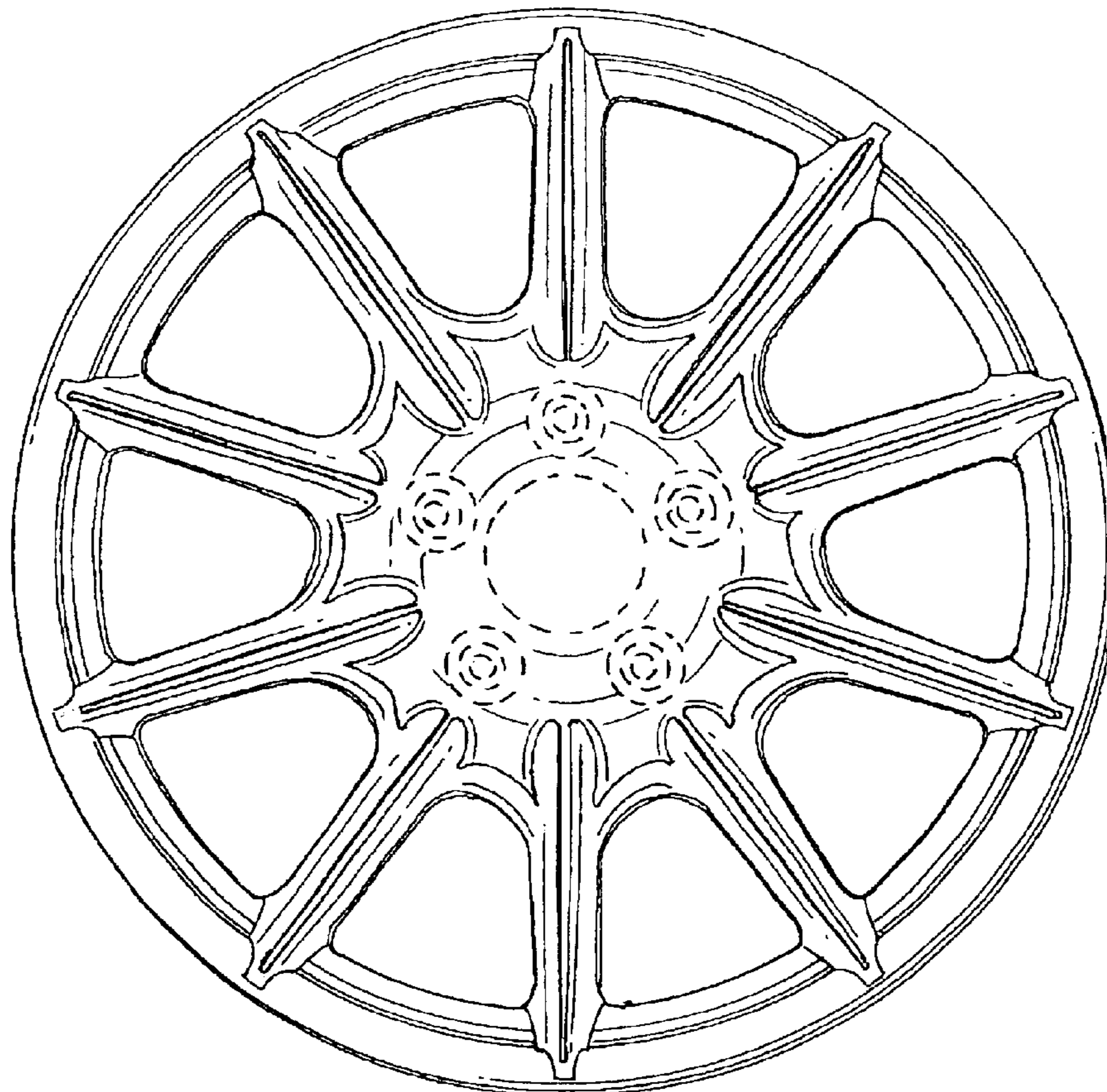
(57) **CLAIM**

The ornamental design for a front face of a vehicle wheel, as shown and described.

DESCRIPTION

FIG. 1 is a front view of a front face of a vehicle wheel according to my novel design; and, FIG. 2 is a perspective view of the front face of a vehicle wheel according to my novel design. The broken lines are for illustrative purposes only and form no part of the claimed design.

1 Claim, 1 Drawing Sheet



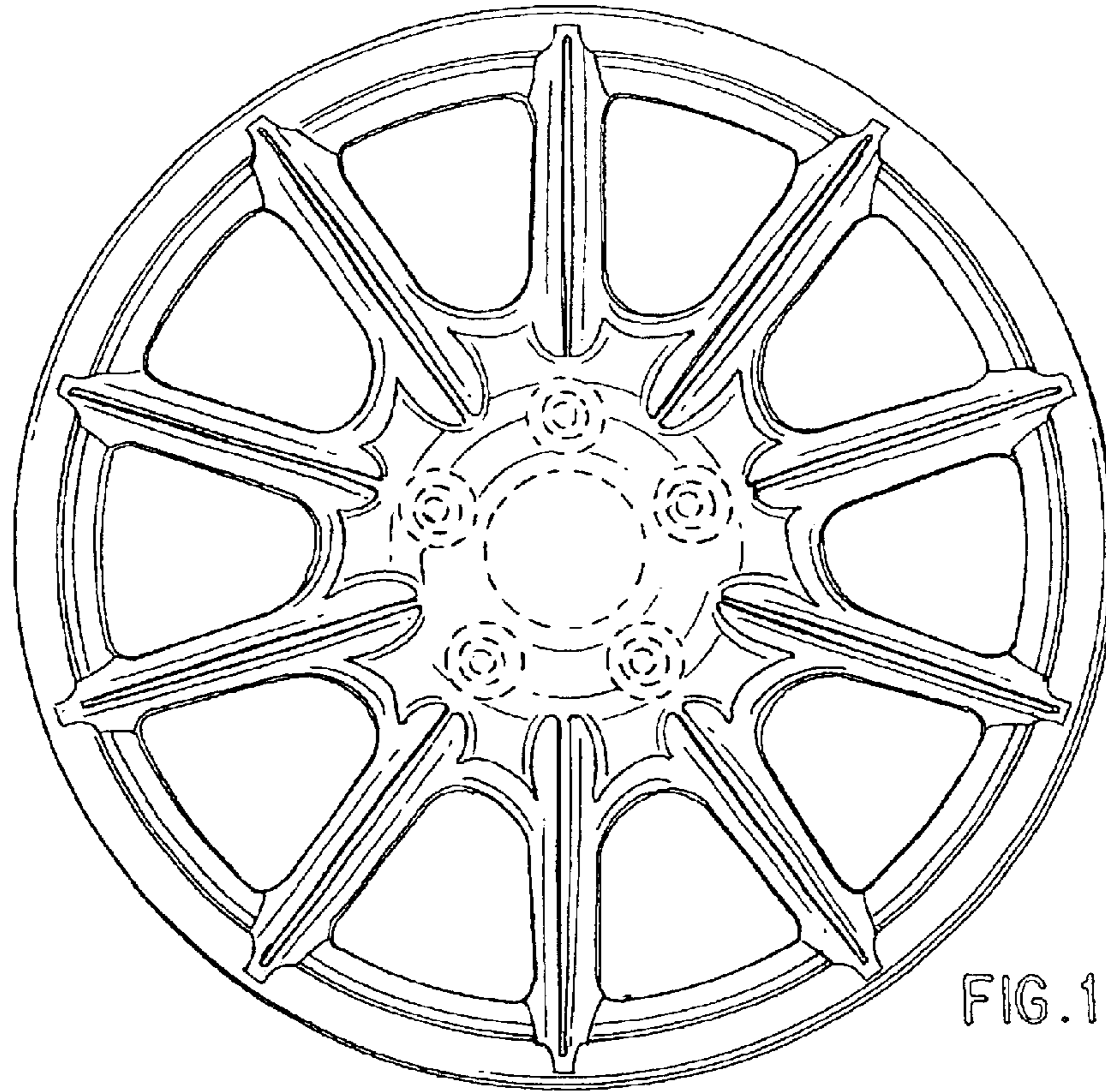


FIG. 1

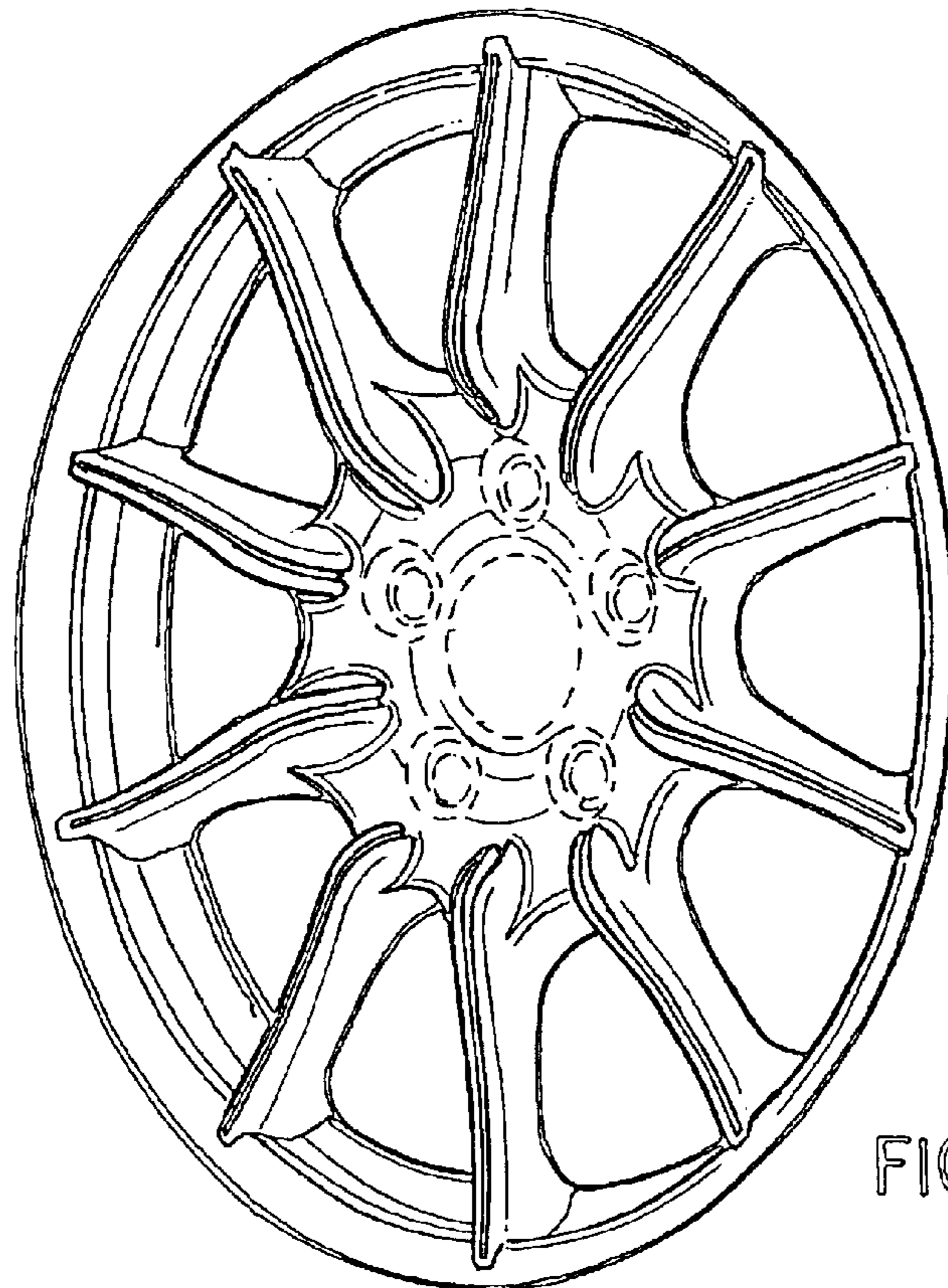


FIG. 2