

US00D494523S1

(12) **United States Design Patent**
Koenigsberg

(10) **Patent No.:** **US D494,523 S**

(45) **Date of Patent:** **** Aug. 17, 2004**

(54) **FRONT FACE OF A VEHICLE WHEEL**

(75) **Inventor:** **David Koenigsberg**, Northridge, CA
(US)

(73) **Assignee:** **Circle Drive Inc.**, Northridge, CA (US)

(**) **Term:** **14 Years**

(21) **Appl. No.:** **29/185,197**

(22) **Filed:** **Jun. 25, 2003**

(51) **LOC (7) Cl.** **12-16**

(52) **U.S. Cl.** **D12/209**

(58) **Field of Search** D12/204-213;
301/37.101, 64.101, 65

(56) **References Cited**

U.S. PATENT DOCUMENTS

D407,681 S	*	4/1999	Sacco et al.	D12/209
D432,480 S	*	10/2000	Chung	D12/209
D442,532 S	*	5/2001	Chung	D12/209
D455,696 S	*	4/2002	Foose	D12/209
D459,691 S	*	7/2002	Takechi	D12/211
D461,155 S	*	8/2002	Takechi	D12/209
D462,928 S	*	9/2002	Takechi	D12/209
D463,350 S	*	9/2002	Lee	D12/211

D471,144 S	*	3/2003	Pfeiffer	D12/209
D471,852 S	*	3/2003	Pfeiffer et al.	D12/211
D475,961 S	*	6/2003	Pfeiffer et al.	D12/211
D475,962 S	*	6/2003	Chung	D12/211
D476,284 S	*	6/2003	Pfeiffer et al.	D12/211
D481,982 S	*	11/2003	Takechi	D12/211
D482,647 S	*	11/2003	Lecher et al.	D12/211
D484,446 S	*	12/2003	Pfeiffer et al.	D12/211
D486,115 S	*	2/2004	Chung	D12/211

* cited by examiner

Primary Examiner—Stacia Cadmus

(74) *Attorney, Agent, or Firm*—Burns, Doane, Swecker & Mathis, L.L.P.

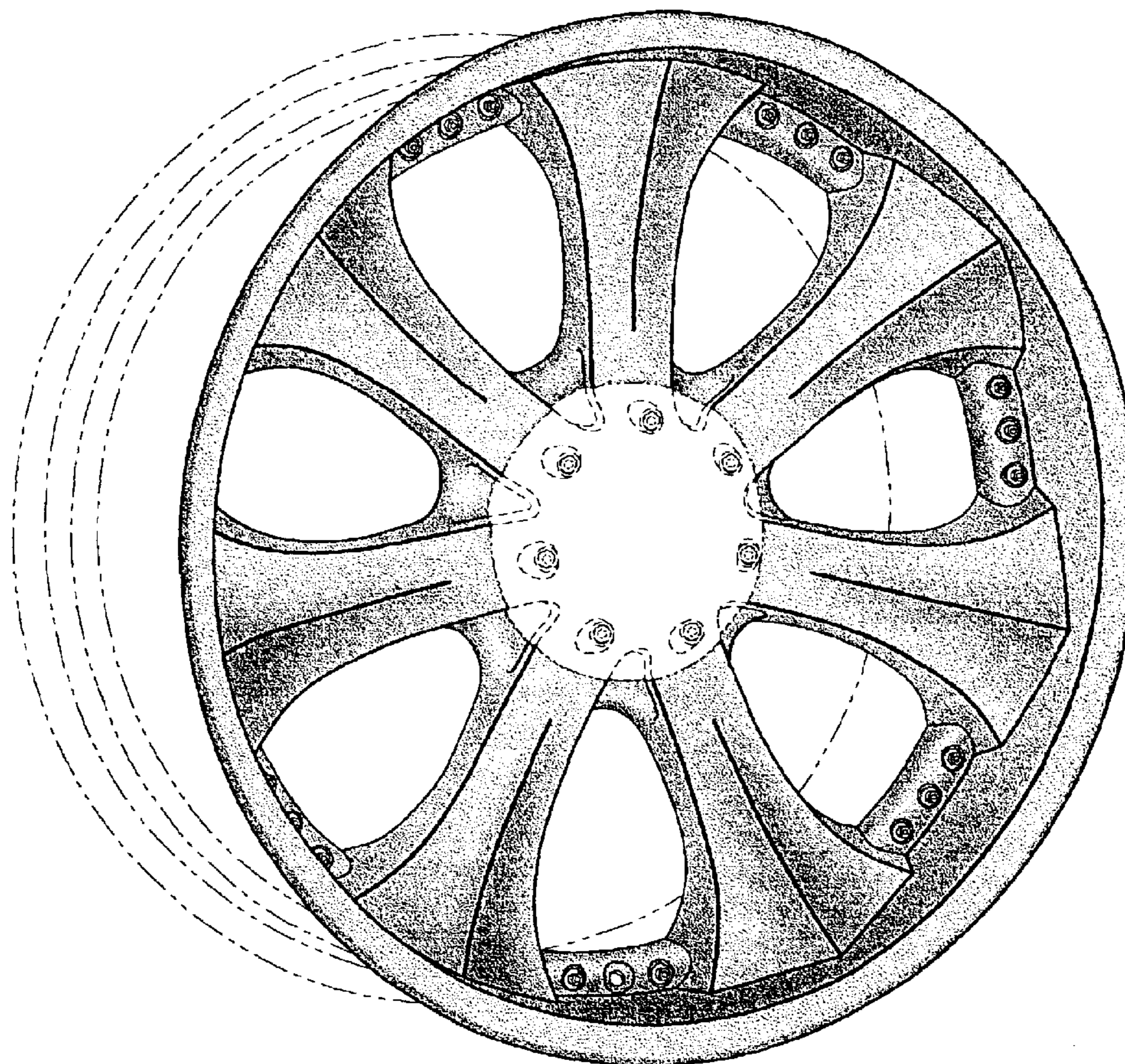
(57) **CLAIM**

The ornamental design for a front face of a vehicle wheel, as shown and described.

DESCRIPTION

FIG. 1 is a perspective view of a front face of a vehicle wheel showing my new design; and, FIG. 2 is a front elevational view thereof. The broken line showing of portions of the wheel is for illustrative purposes only and forms no part of the claimed design.

1 Claim, 2 Drawing Sheets



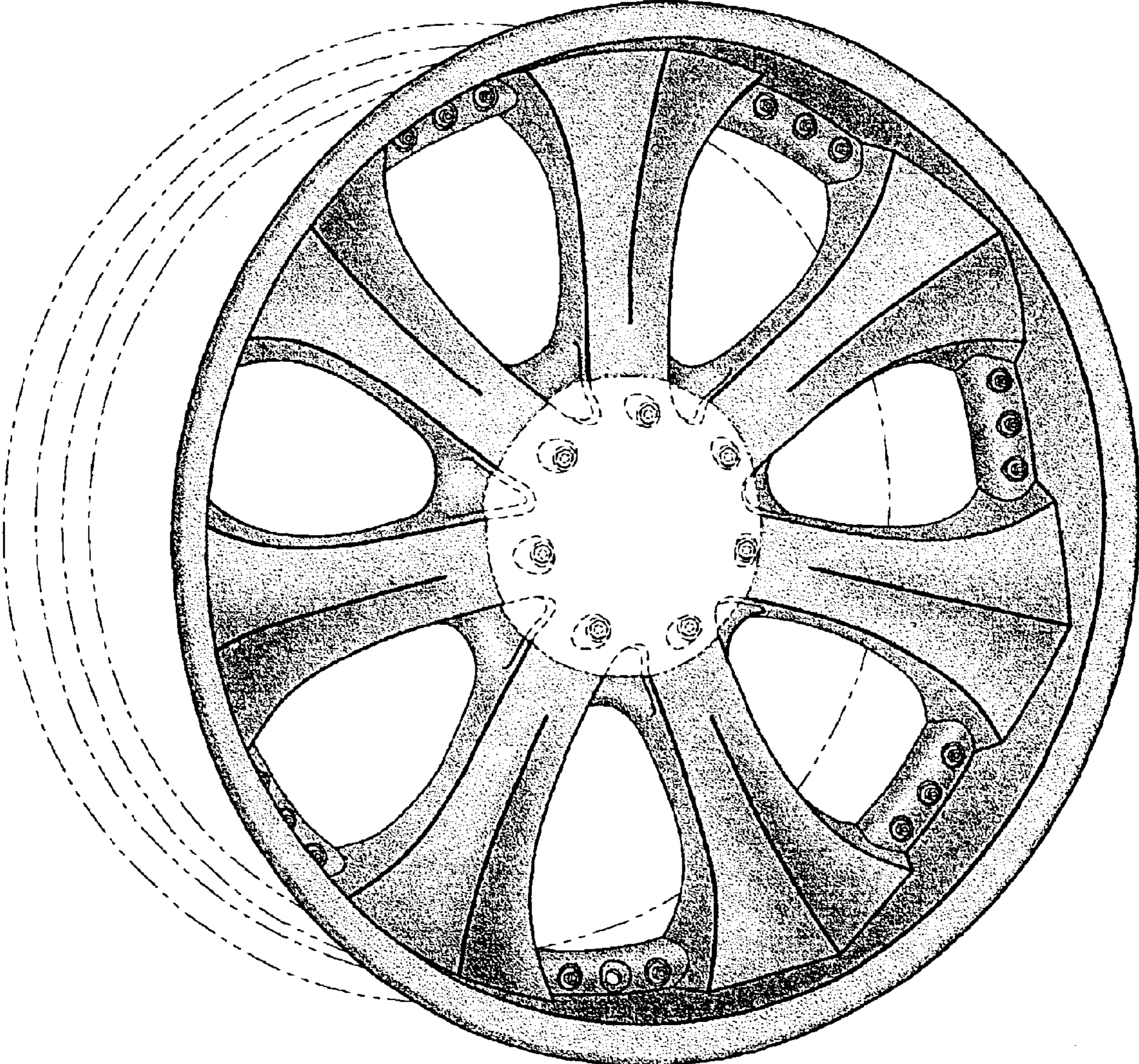


FIG. 1

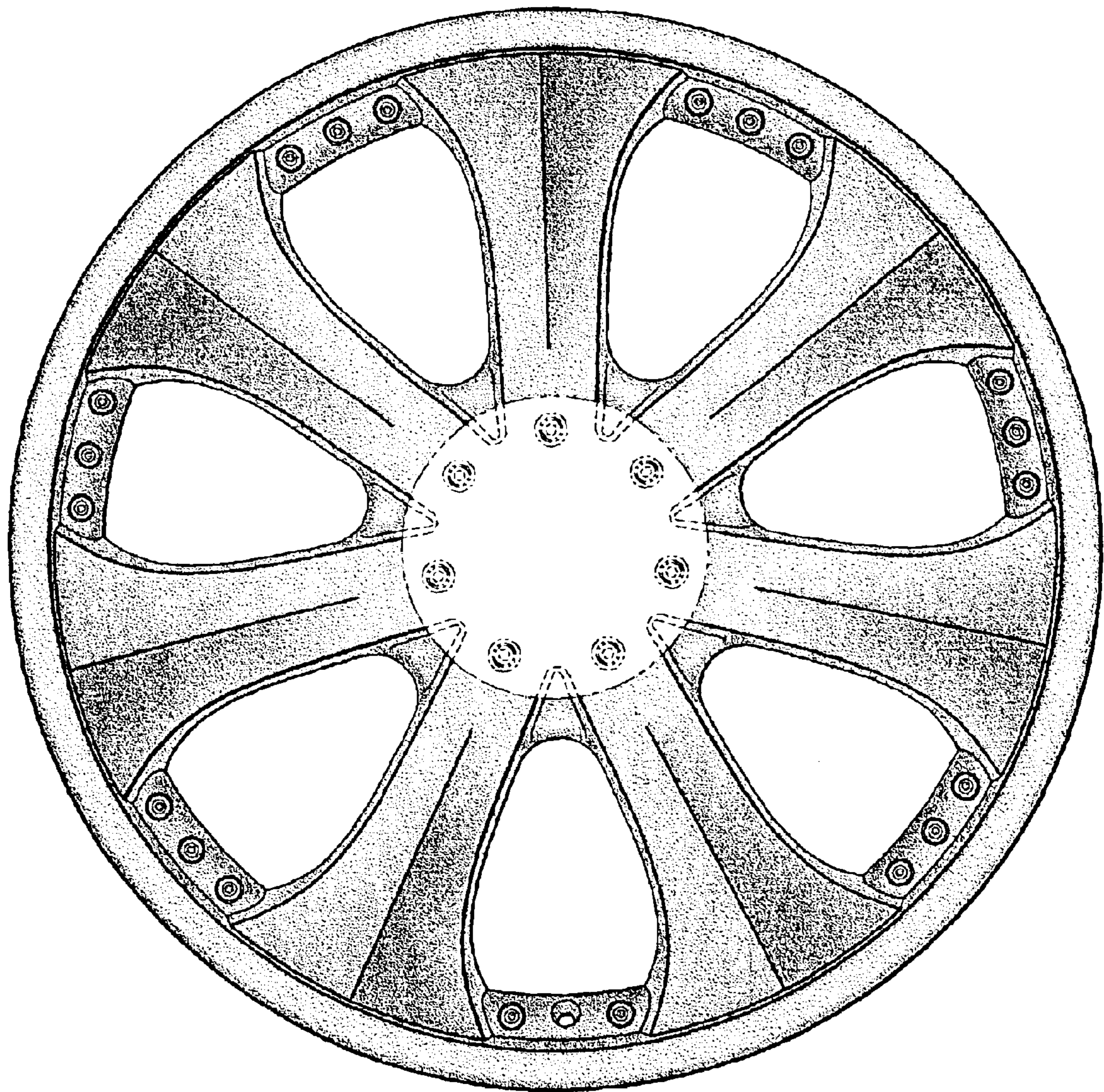


FIG. 2