

US00D494520S1

(12) **United States Design Patent**
Huang

(10) **Patent No.:** **US D494,520 S**

(45) **Date of Patent:** **** Aug. 17, 2004**

(54) **SHARK TEETH STYLE VEHICLE LICENSE
PLATE FRAME**

(75) **Inventor:** **Nan Huang Huang**, Rancho Palos
Verdes, CA (US)

(73) **Assignee:** **Grand General Accessories
Manufacturing Inc.**, Compton, CA
(US)

(**) **Term:** **14 Years**

(21) **Appl. No.:** **29/197,253**

(22) **Filed:** **Jan. 12, 2004**

(51) **LOC (7) Cl.** **12-16**

(52) **U.S. Cl.** **D12/193**

(58) **Field of Search** D12/193; D6/300-303,
D6/310-314; 40/200-203, 207-216

(56) **References Cited**

U.S. PATENT DOCUMENTS

- D366,236 S * 1/1996 Chu D12/193
- D377,776 S * 2/1997 Kheyfets D12/193
- D380,430 S * 7/1997 Spencer D12/193
- D464,300 S * 10/2002 Ohm et al. D12/193

- D464,301 S * 10/2002 Ohm D12/193
- D466,457 S * 12/2002 Wang D12/193
- D474,724 S * 5/2003 Wang D12/193
- D477,799 S * 7/2003 Arens D12/193
- D481,660 S * 11/2003 Super et al. D12/193

* cited by examiner

Primary Examiner—Stacia Cadmus

(74) *Attorney, Agent, or Firm*—Thomas I. Rozsa; Tony D.
Chen

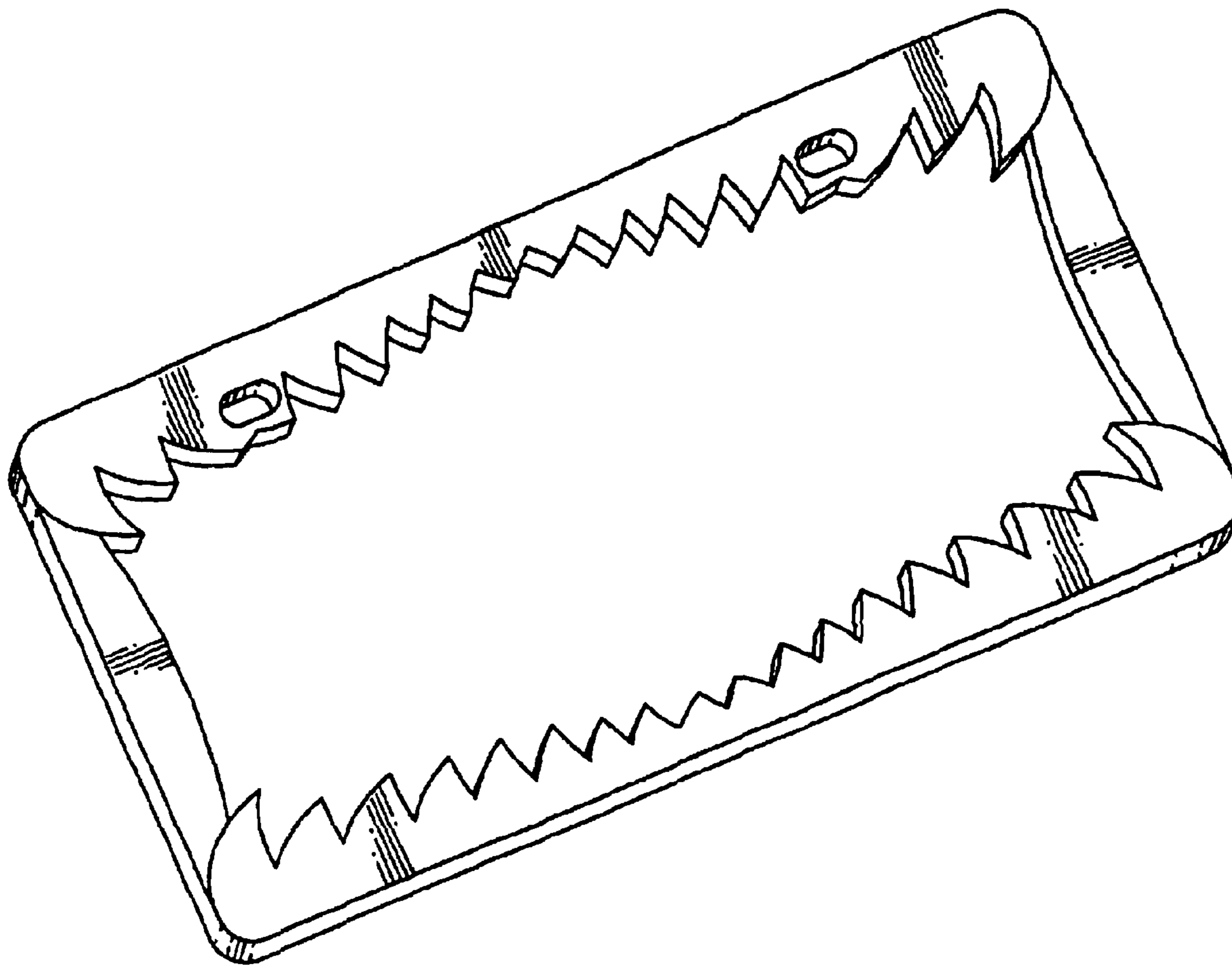
(57) **CLAIM**

The ornamental design for a shark teeth style vehicle license
plate frame, as shown and described.

DESCRIPTION

FIG. 1 is a perspective view of a shark teeth style vehicle
license plate frame, showing my new design;
FIG. 2 is a front plan view thereof;
FIG. 3 is a back plan view thereof;
FIG. 4 is a right end elevation view thereof;
FIG. 5 is a left end elevation view thereof;
FIG. 6 is a top elevation view thereof; and,
FIG. 7 is a bottom elevation view thereof.

1 Claim, 2 Drawing Sheets



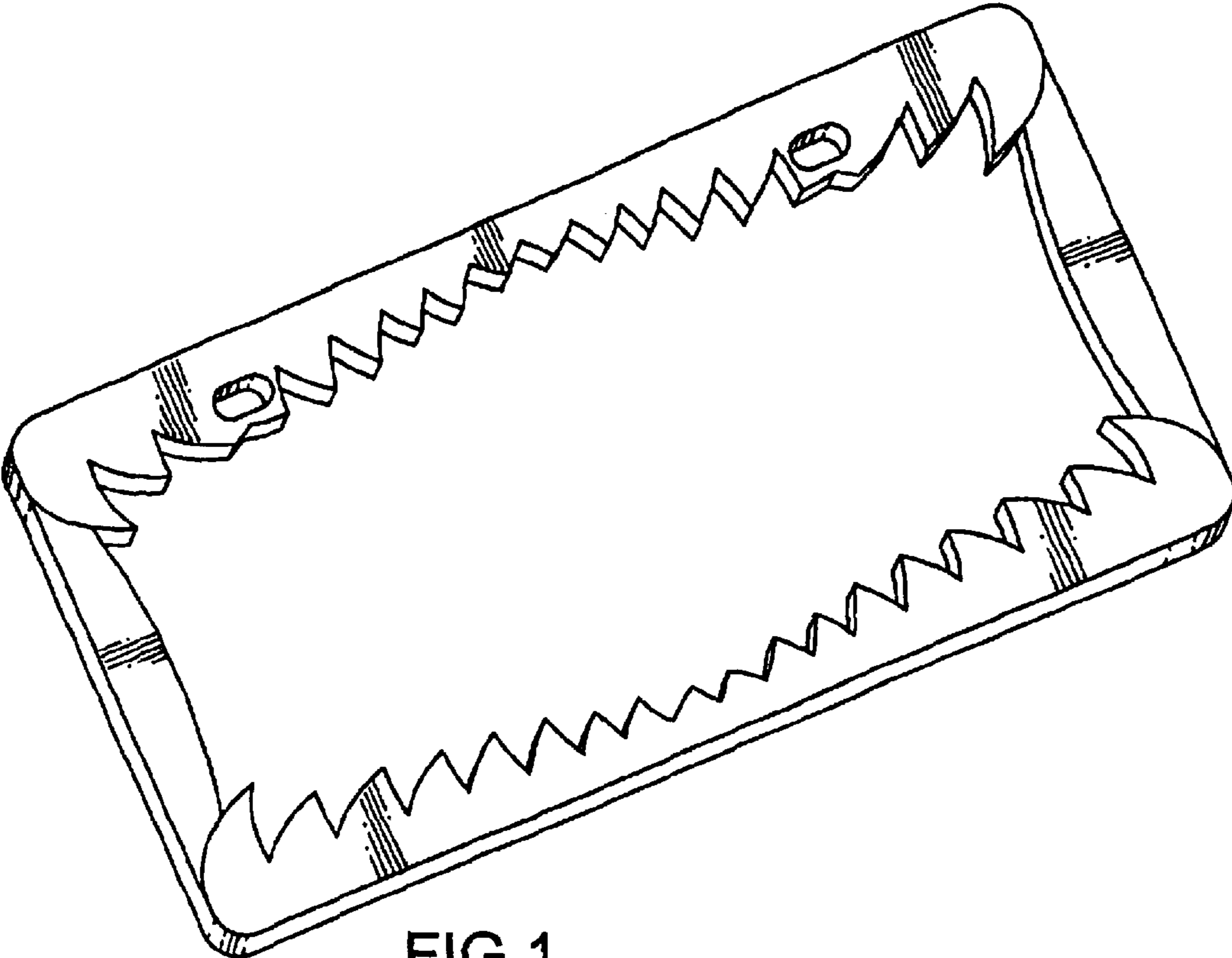


FIG. 1

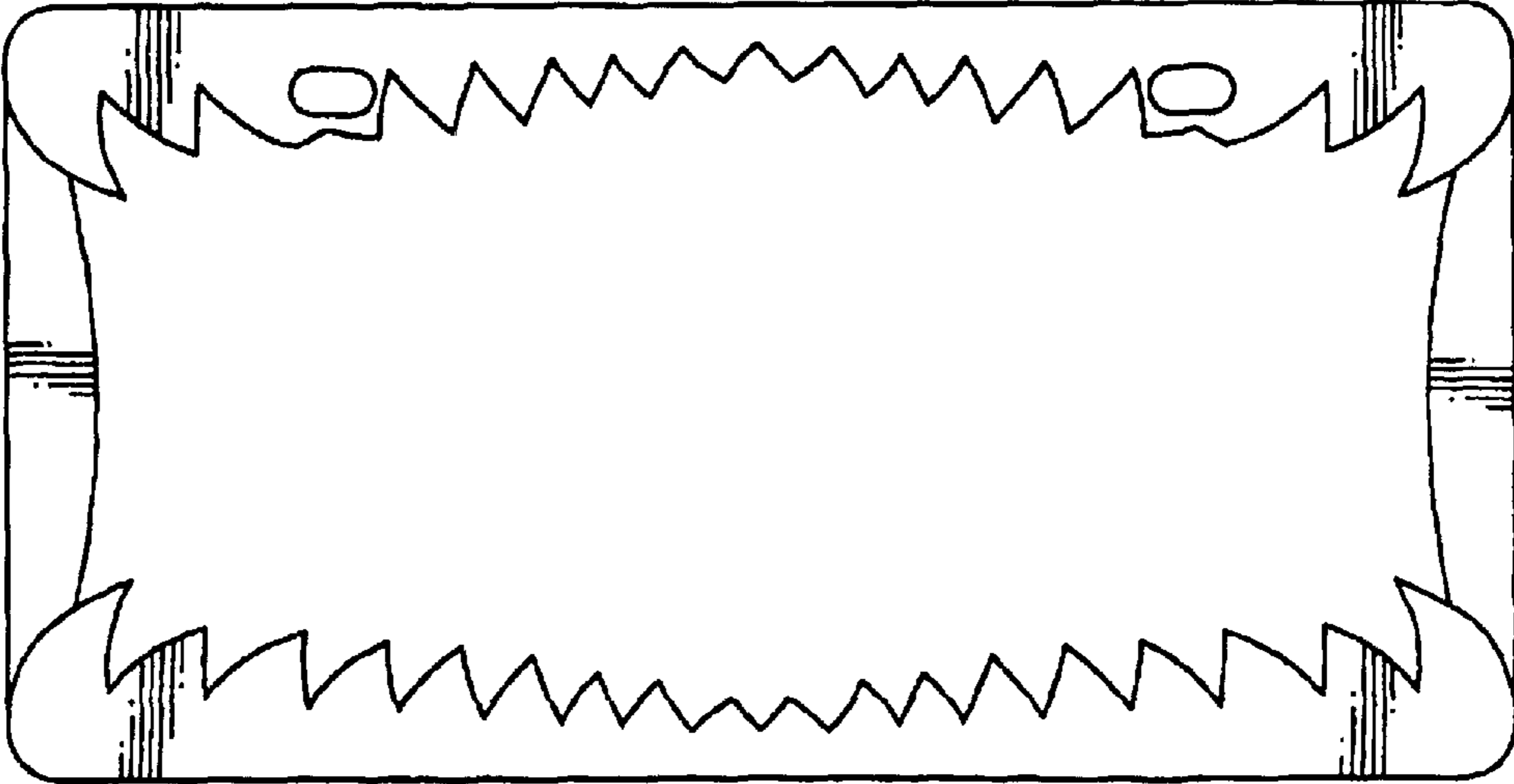


FIG. 2

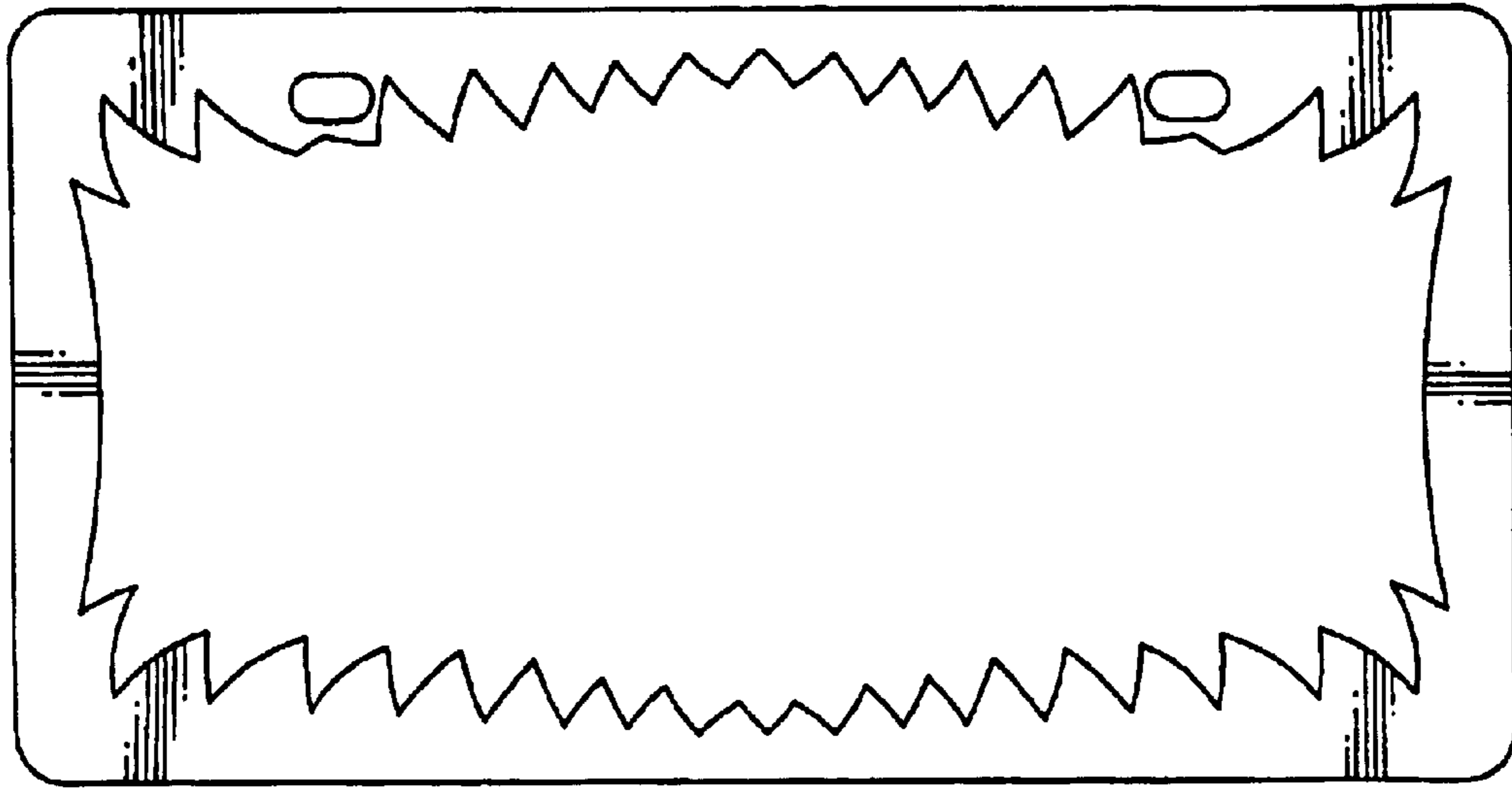


FIG. 3



FIG. 4



FIG. 5



FIG. 6



FIG. 7