

US00D494512S1

(12) **United States Design Patent**
Cheng

(10) **Patent No.: US D494,512 S**

(45) **Date of Patent: ** Aug. 17, 2004**

(54) **ELECTRIC MOTORCYCLE**

D444,421 S * 7/2001 Cheng D12/131
D460,028 S * 7/2002 Wu et al. D12/131

(75) **Inventor: Ming-Chuan Cheng, Taichung (TW)**

* cited by examiner

(73) **Assignee: Merits Health Products Co., Ltd.,
Taichung (TW)**

Primary Examiner—Marcus A. Jackson
(74) *Attorney, Agent, or Firm*—Alan D. Kamrath; Nikolai
& Mersereau, P.A.

(**) **Term: 14 Years**

(57) **CLAIM**

(21) **Appl. No.: 29/192,130**

The ornamental design for an electric motorcycle, as shown.

(22) **Filed: Oct. 20, 2003**

DESCRIPTION

(51) **LOC (7) Cl. 12-12**

(52) **U.S. Cl. D12/131**

(58) **Field of Search** D12/128-133;
280/250.1, 304.1; 180/6.5, 65.1, 907, 908;
297/DIG. 4

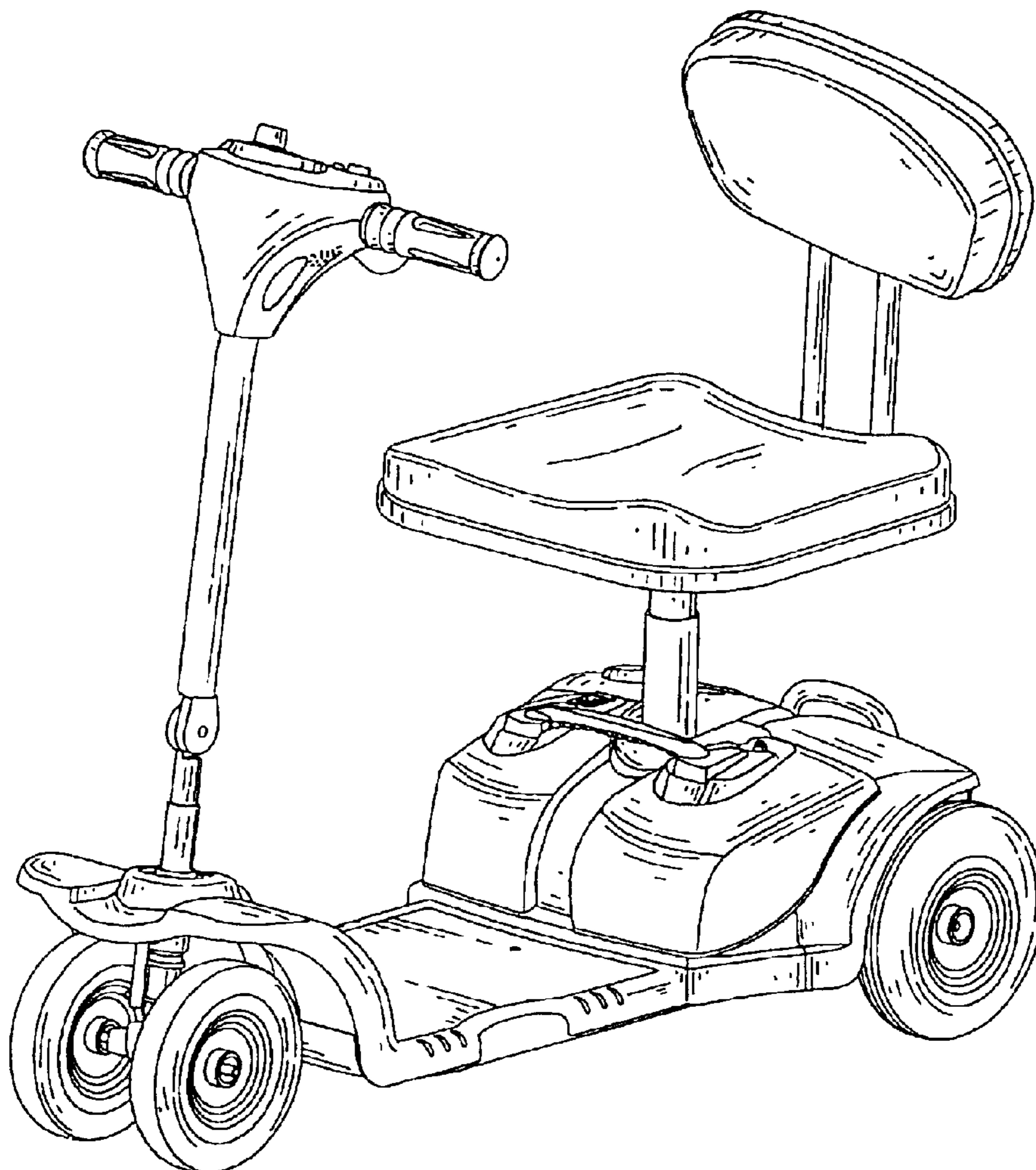
FIG. 1 is a perspective view of an electric motorcycle,
showing my new design;
FIG. 2 is a front elevational view thereof;
FIG. 3 is a rear elevational view thereof;
FIG. 4 is a left elevational view thereof;
FIG. 5 is a right elevational view thereof;
FIG. 6 is top plan view thereof; and,
FIG. 7 is a bottom plan view thereof.

(56) **References Cited**

U.S. PATENT DOCUMENTS

D403,279 S * 12/1998 Wu D12/131
D409,121 S * 5/1999 Imai et al. D12/131

1 Claim, 7 Drawing Sheets



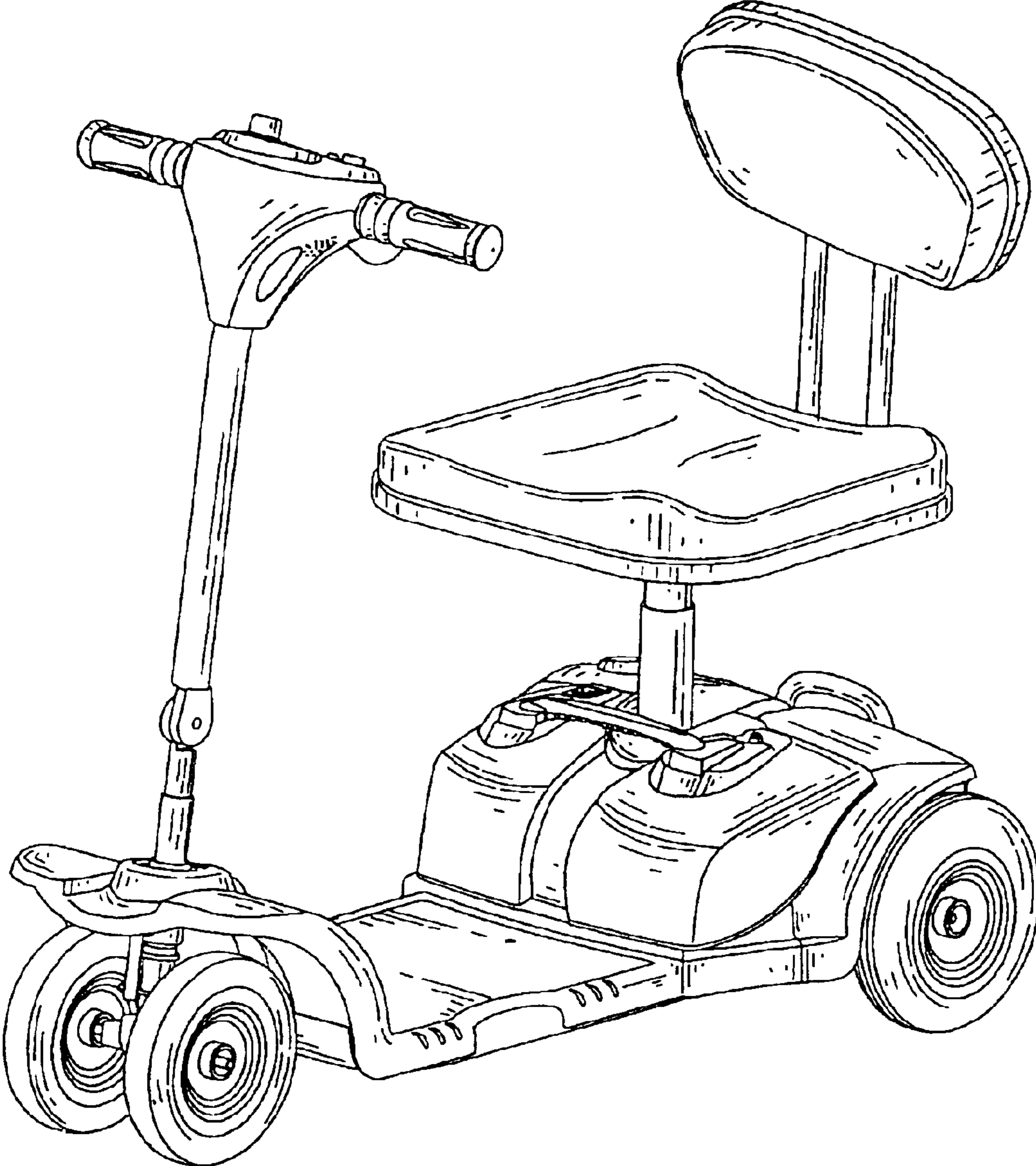


FIG. 1

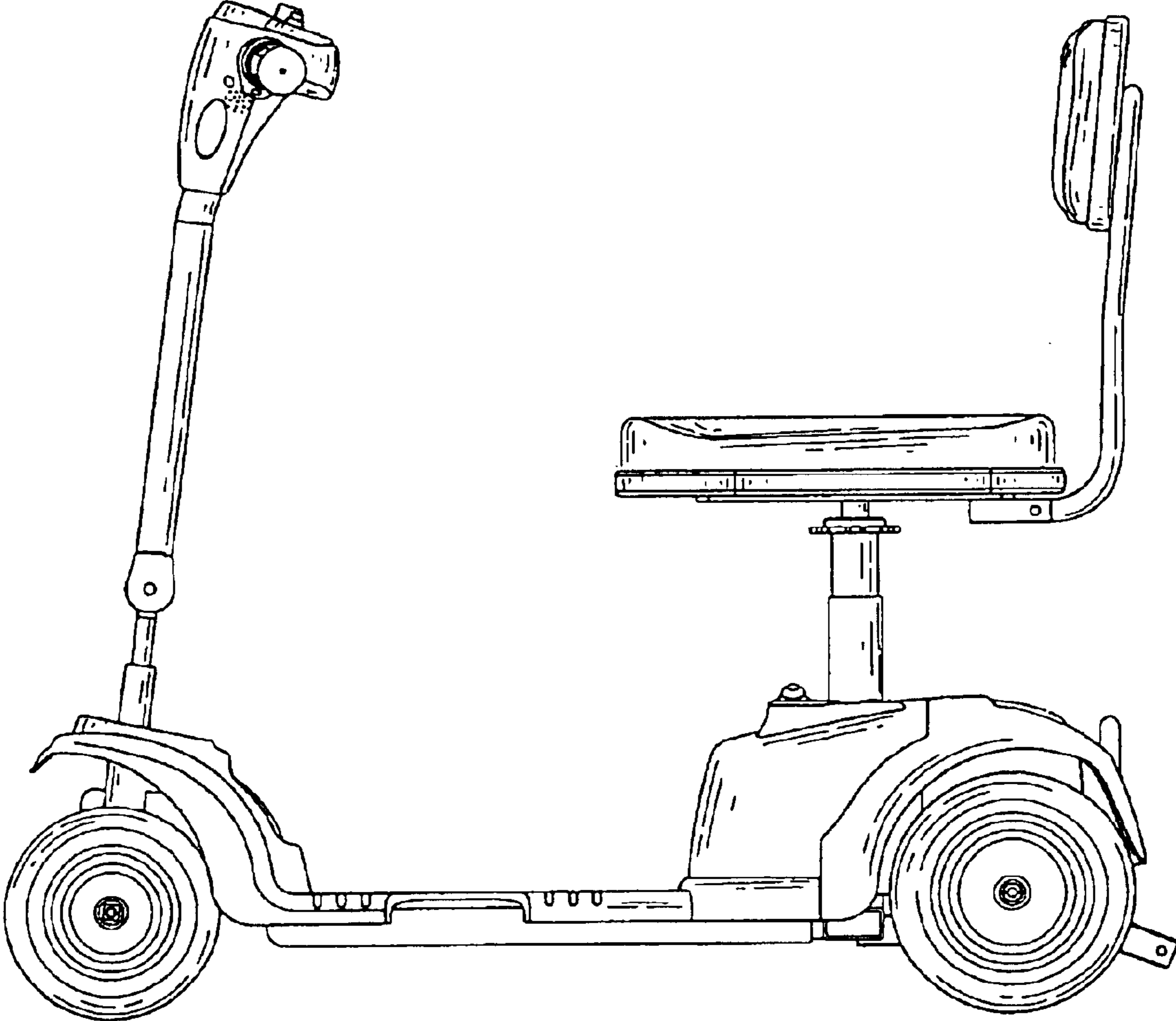


FIG. 2

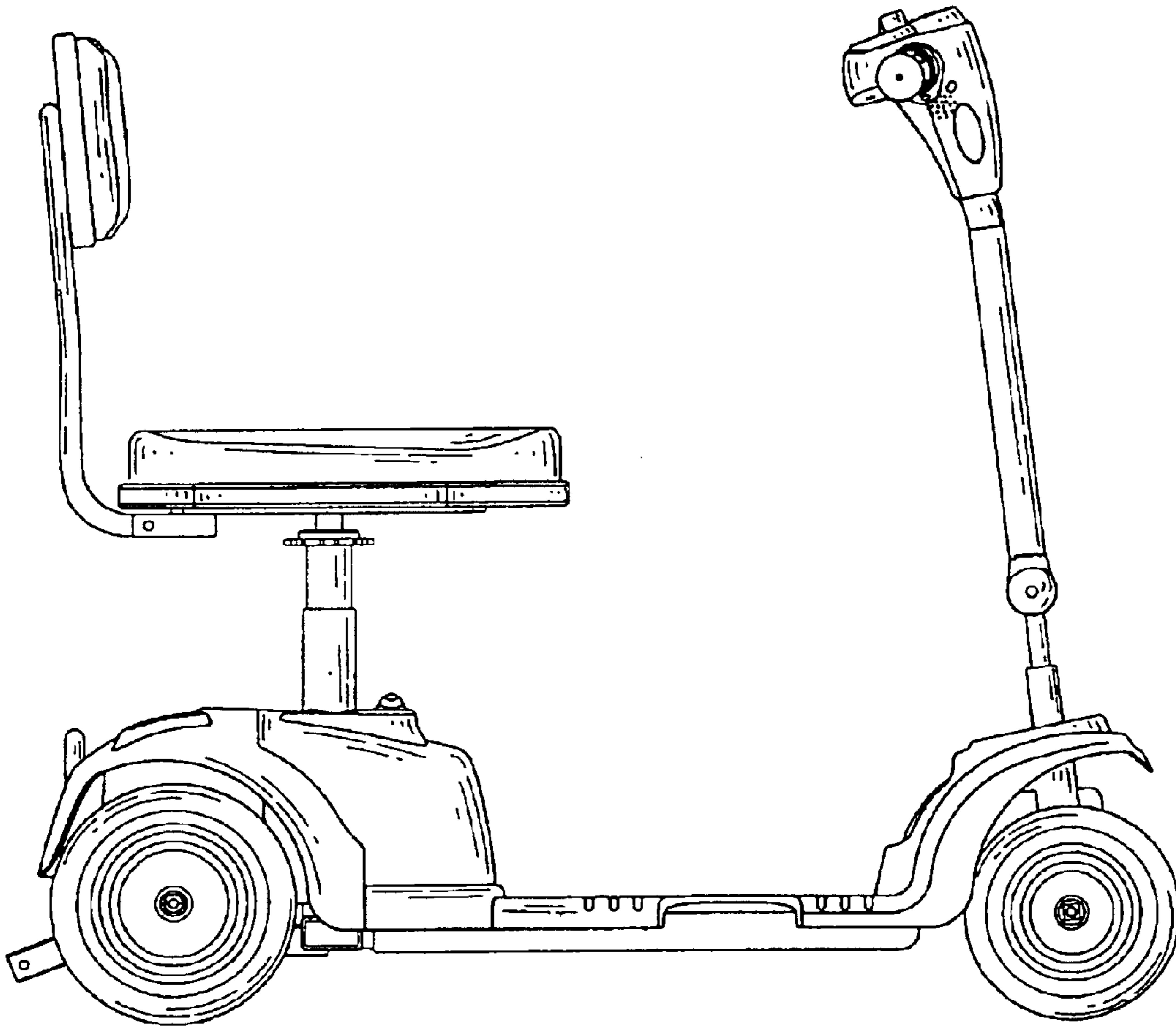


FIG. 3

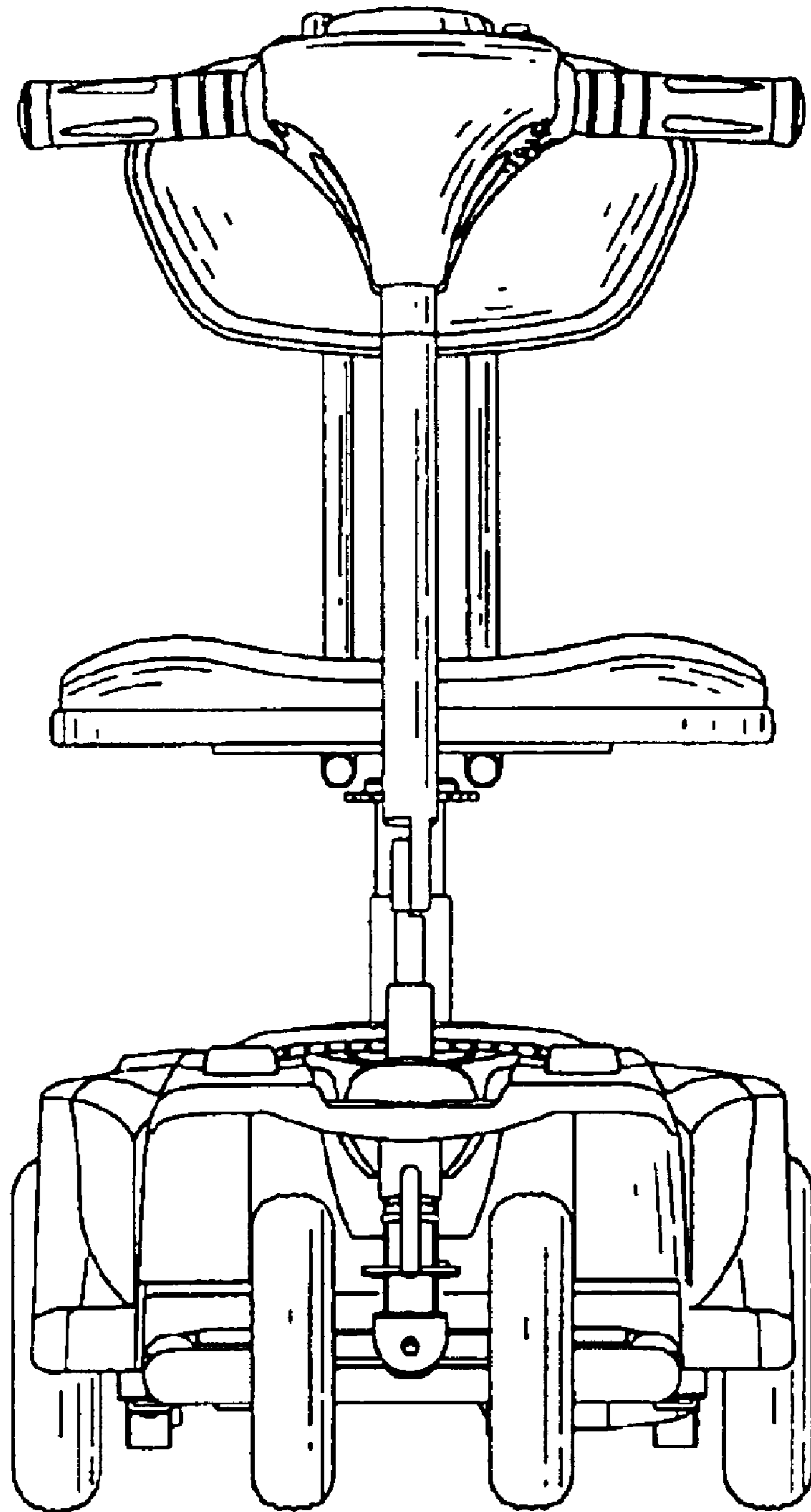


FIG. 4

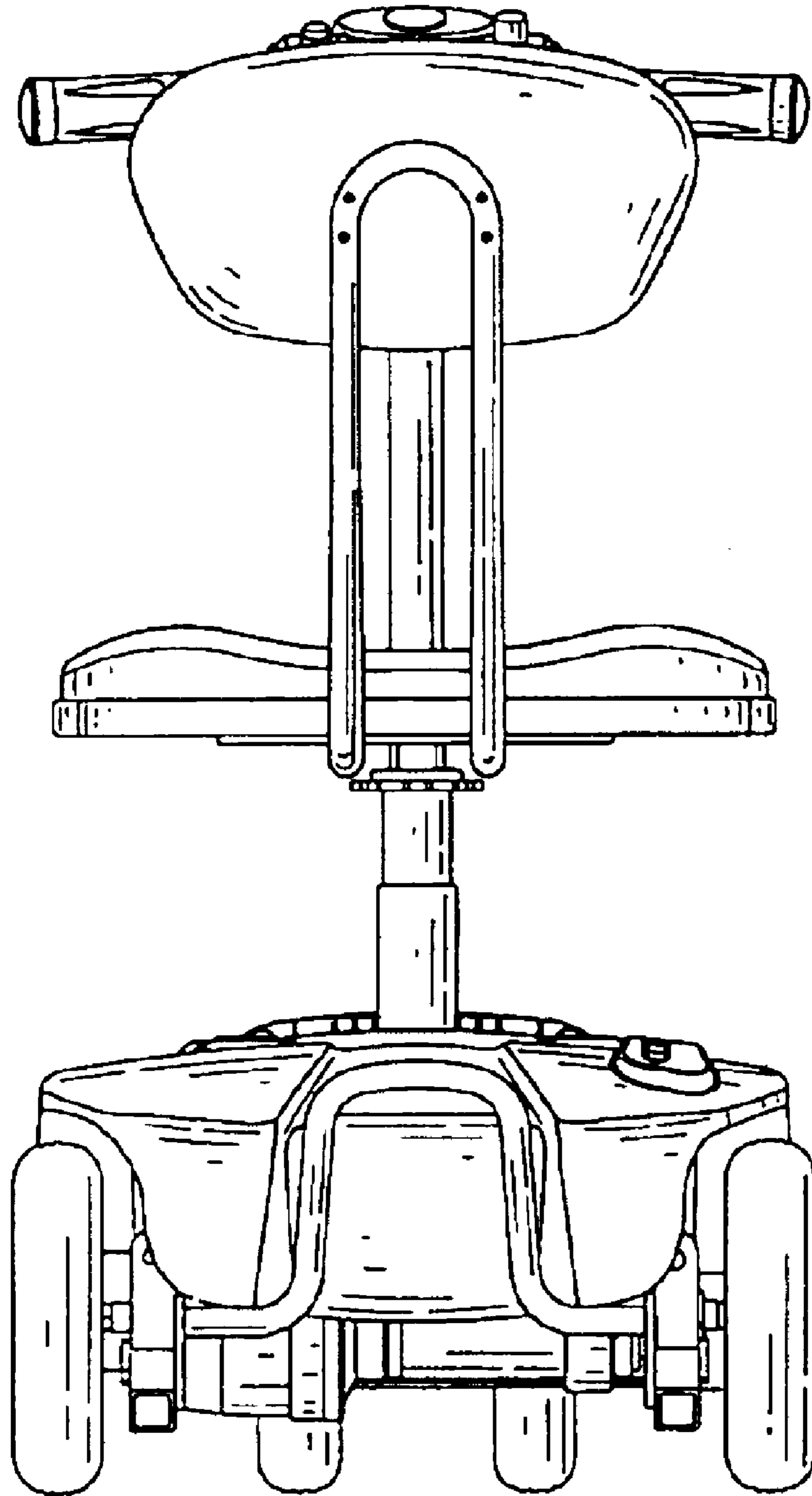


FIG. 5

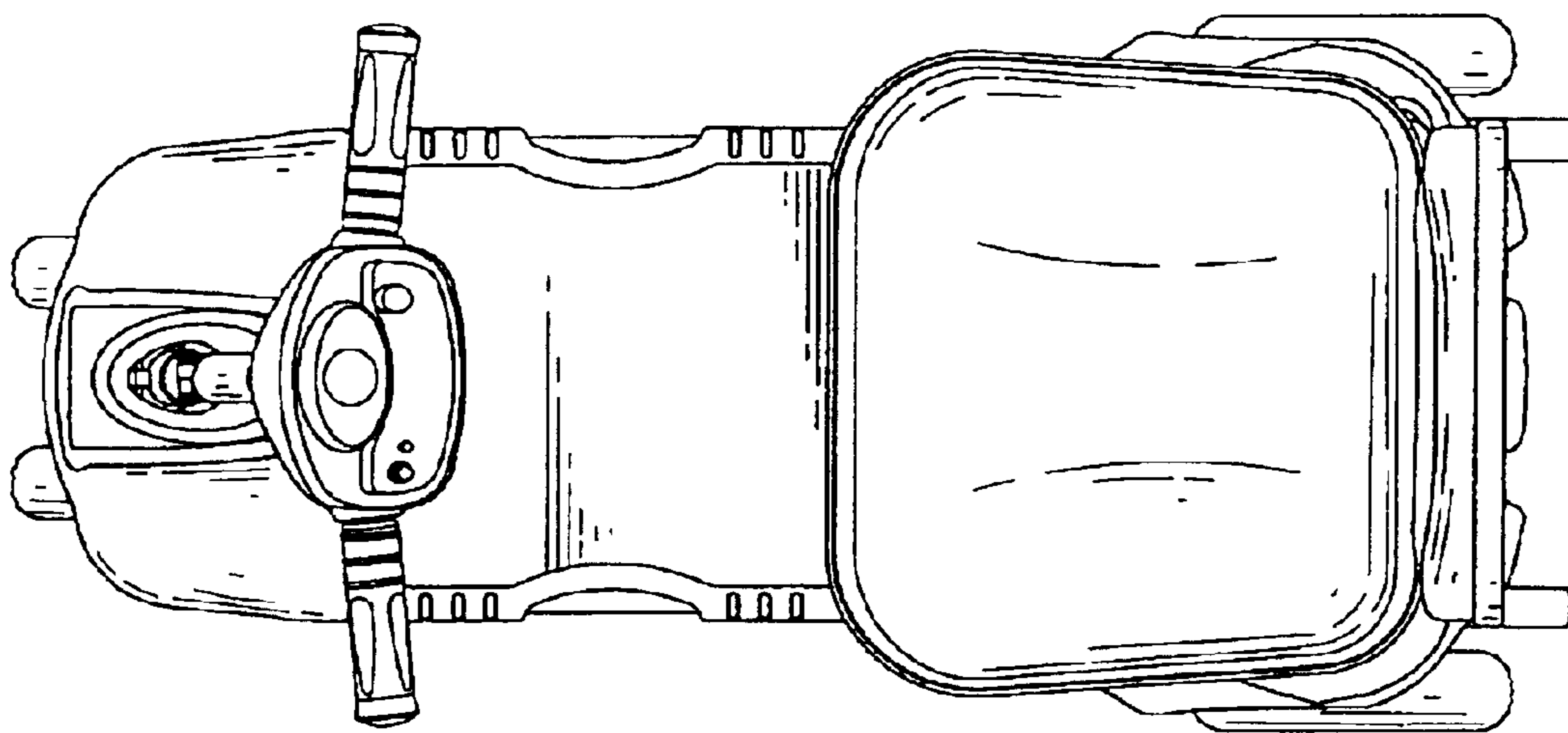


FIG. 6

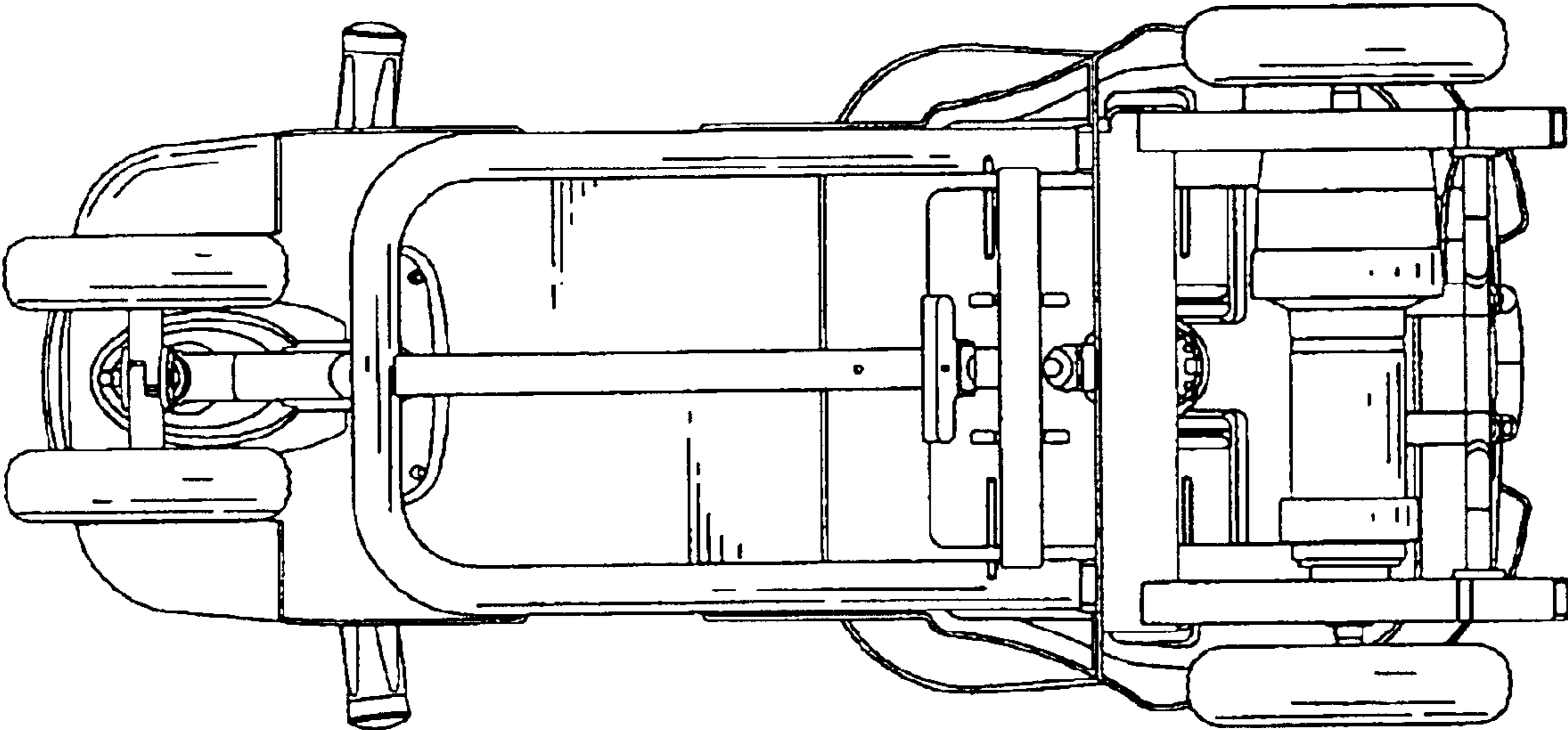


FIG. 7