

US00D494510S1

(12) **United States Design Patent**
Tsai

(10) **Patent No.:** **US D494,510 S**

(45) **Date of Patent:** **** Aug. 17, 2004**

(54) **ELECTRIC MOBILITY SCOOTER**

D444,422 S * 7/2001 Cheng D12/128

(75) Inventor: **Chi-Chen Tsai**, Kaohsiung (TW)

* cited by examiner

(73) Assignee: **Kwang Yang Motor Co., Ltd.**,
Kaohsiung (TW)

Primary Examiner—Marcus A. Jackson

(74) *Attorney, Agent, or Firm*—Leong C. Lei

(**) Term: **14 Years**

(57) **CLAIM**

The ornamental design for an electric mobility scooter, as shown and described.

(21) Appl. No.: **29/179,348**

(22) Filed: **Apr. 10, 2003**

DESCRIPTION

(51) **LOC (7) Cl.** **12-99**

FIG. 1 is perspective view of an electric mobility scooter showing my new design;

(52) **U.S. Cl.** **D12/128**

FIG. 2 is a front side elevation view thereof;

(58) **Field of Search** D12/128-133;
280/250.1, 304.1; 180/65, 65.1, 65.6, 21,
907, 908, 326; 297/DIG. 4

FIG. 3 is a rear side elevation view thereof;

FIG. 4 is a left side elevation view thereof;

FIG. 5 is a right side elevation view thereof;

FIG. 6 is a top plan view thereof; and,

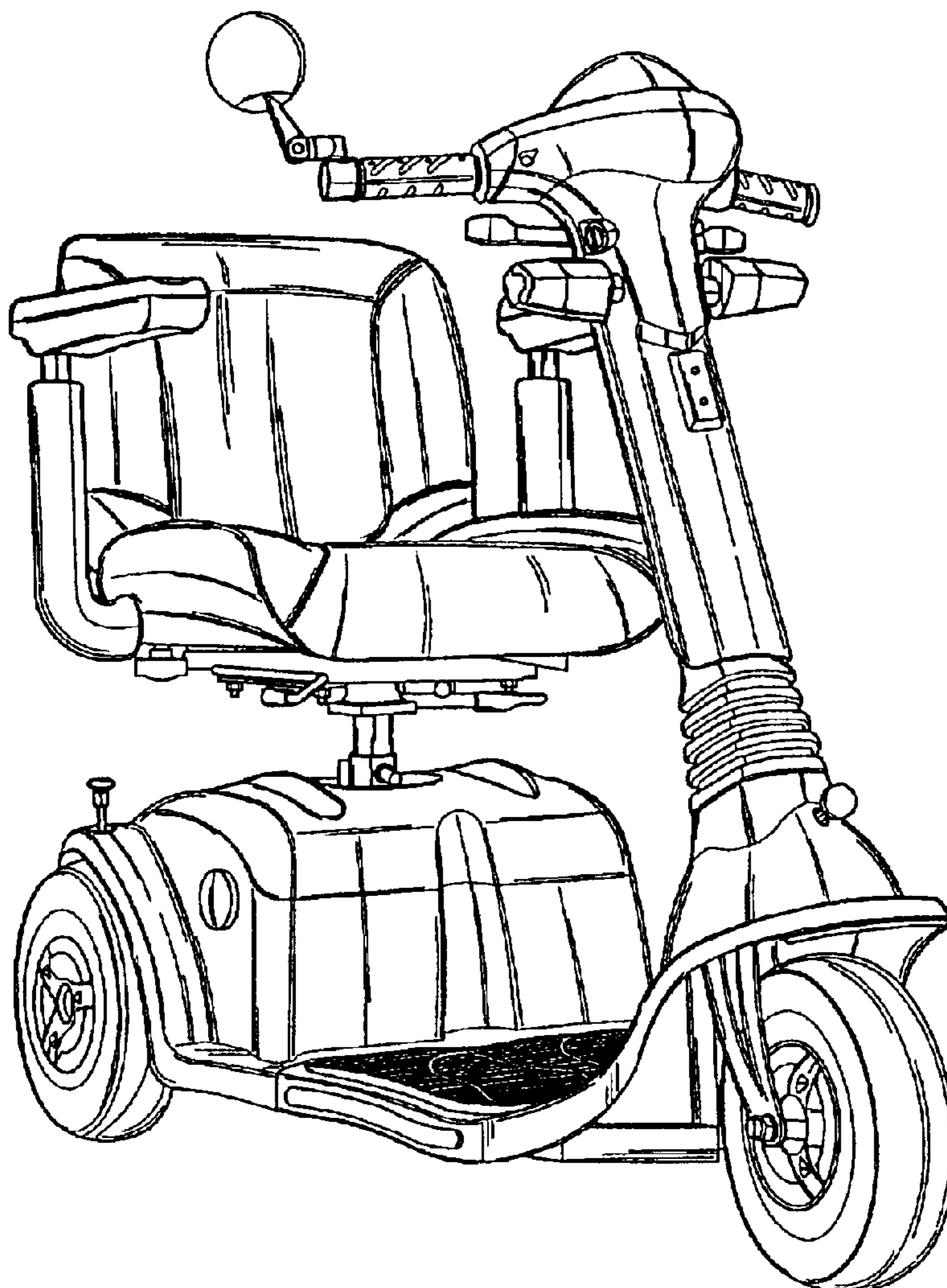
FIG. 7 is a bottom plan view thereof.

(56) **References Cited**

U.S. PATENT DOCUMENTS

D401,190 S * 11/1998 Krause D12/128

1 Claim, 4 Drawing Sheets



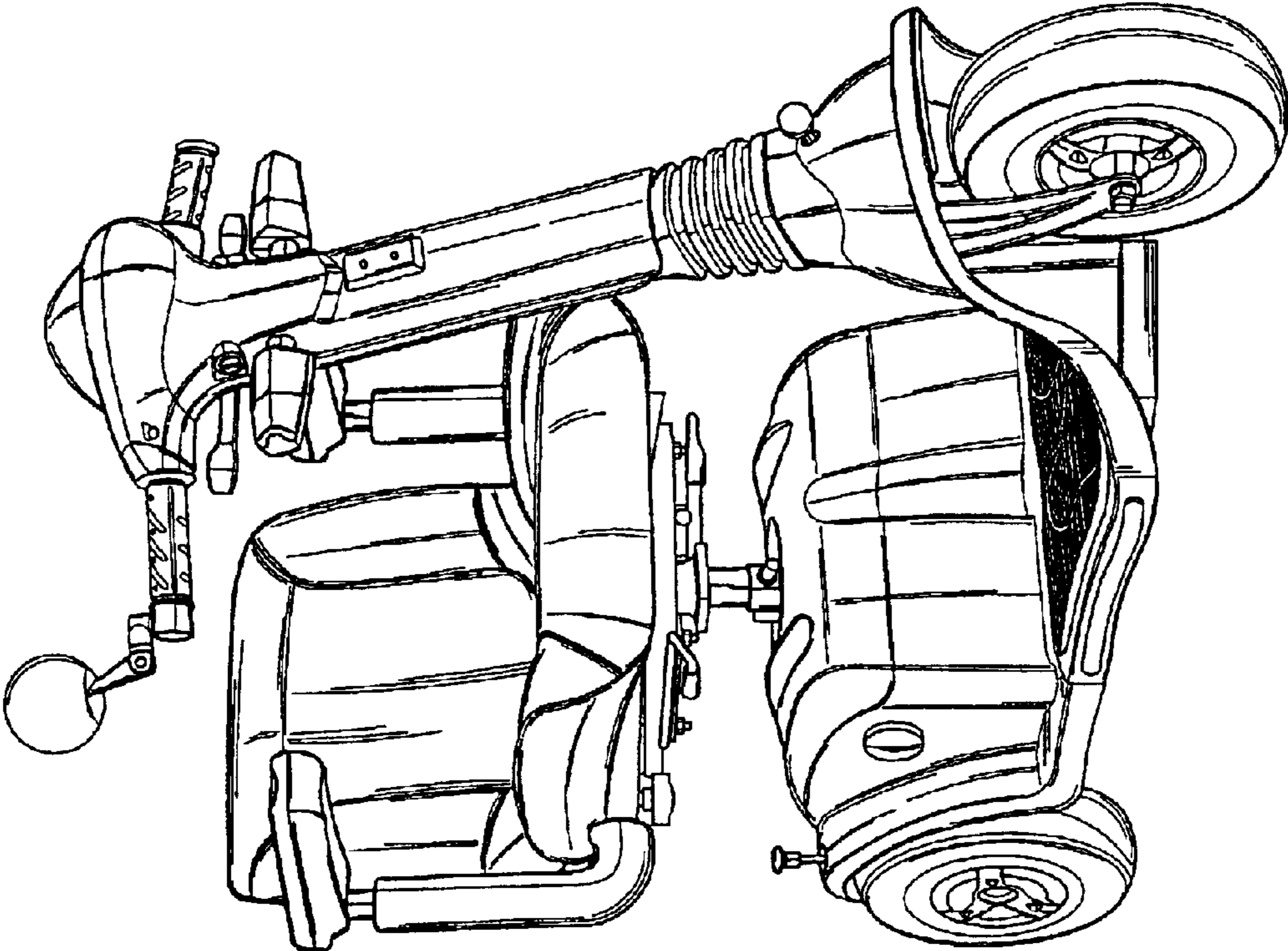


FIG. 1

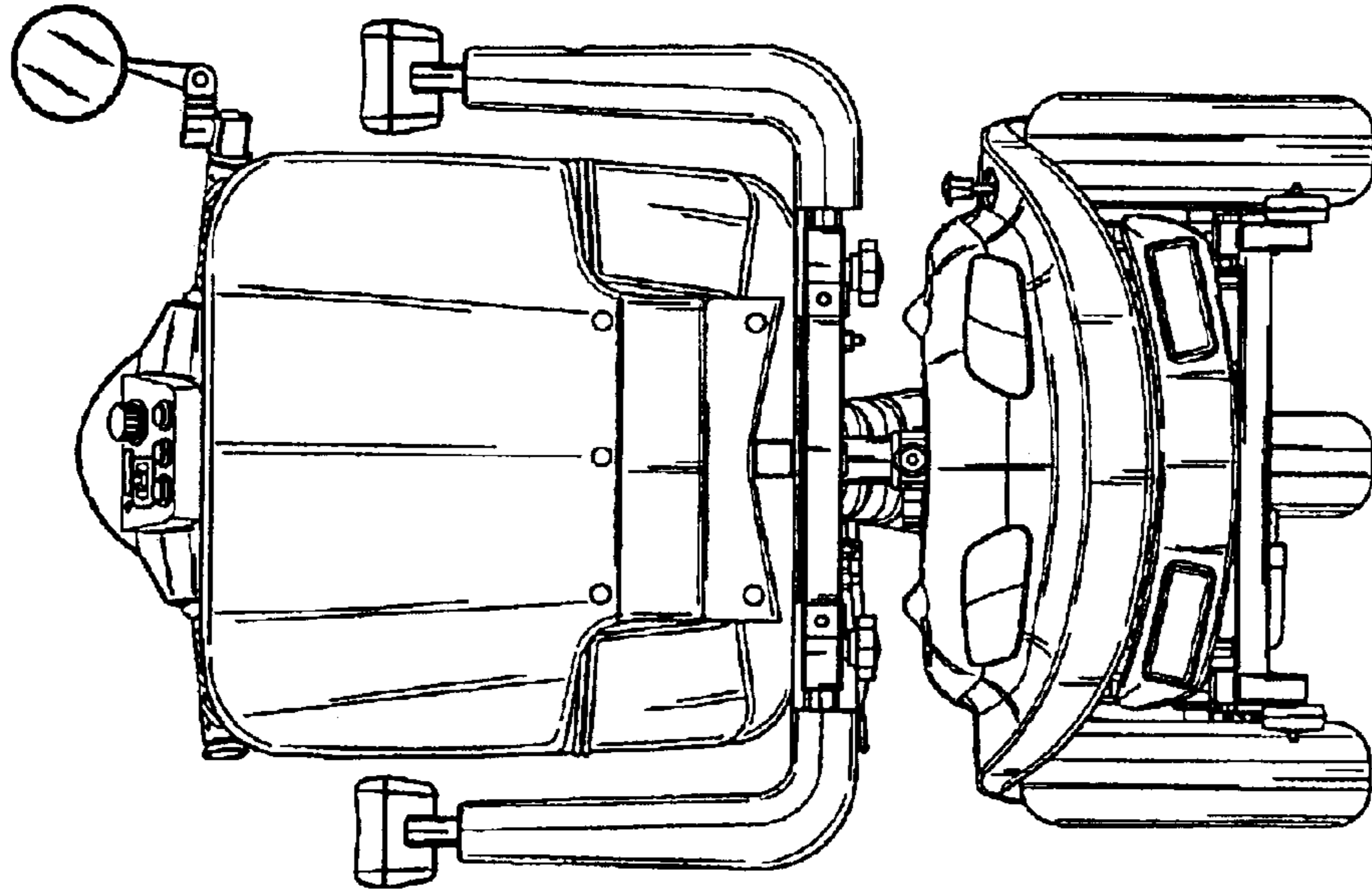


FIG. 3

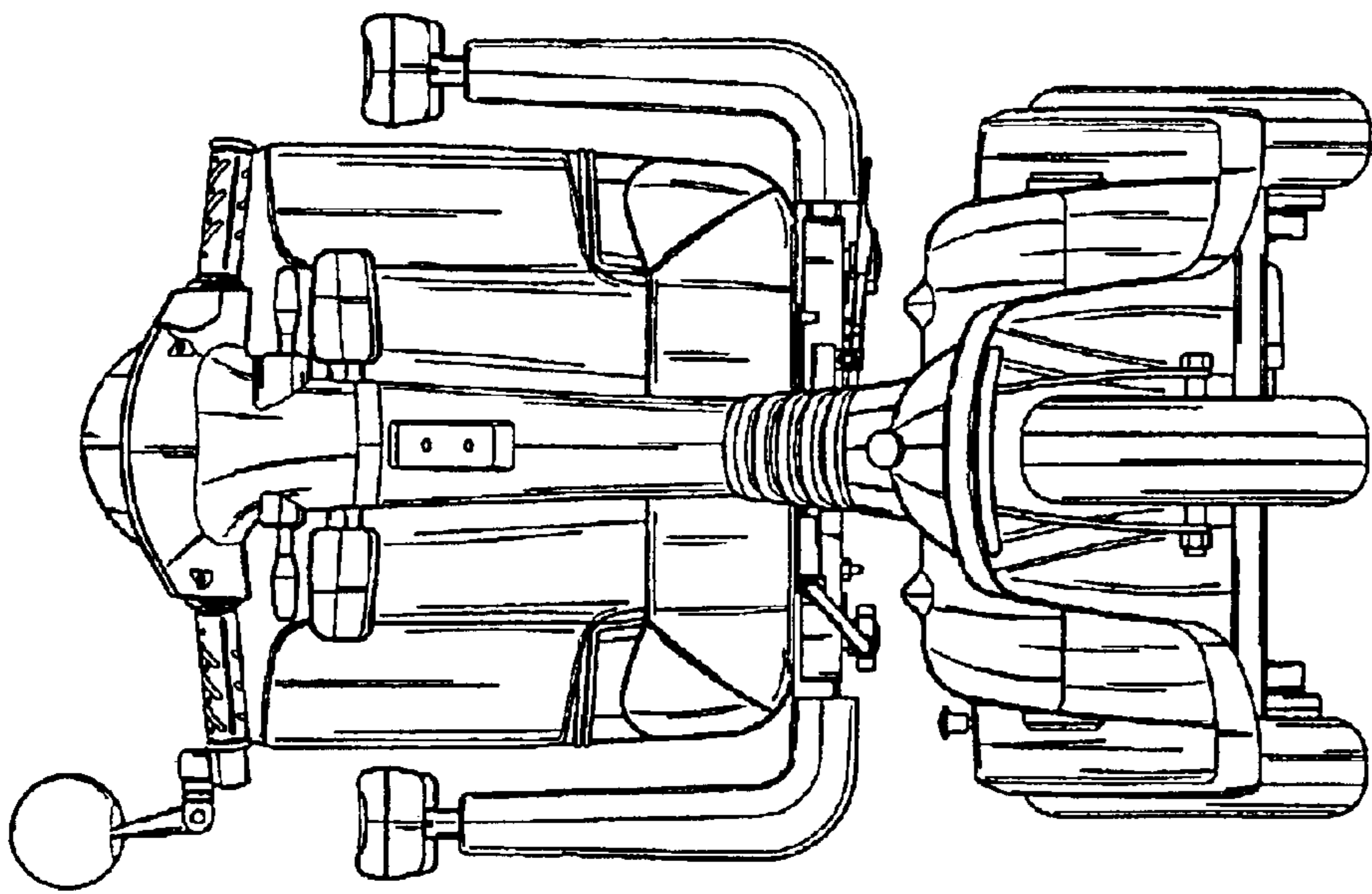


FIG. 2

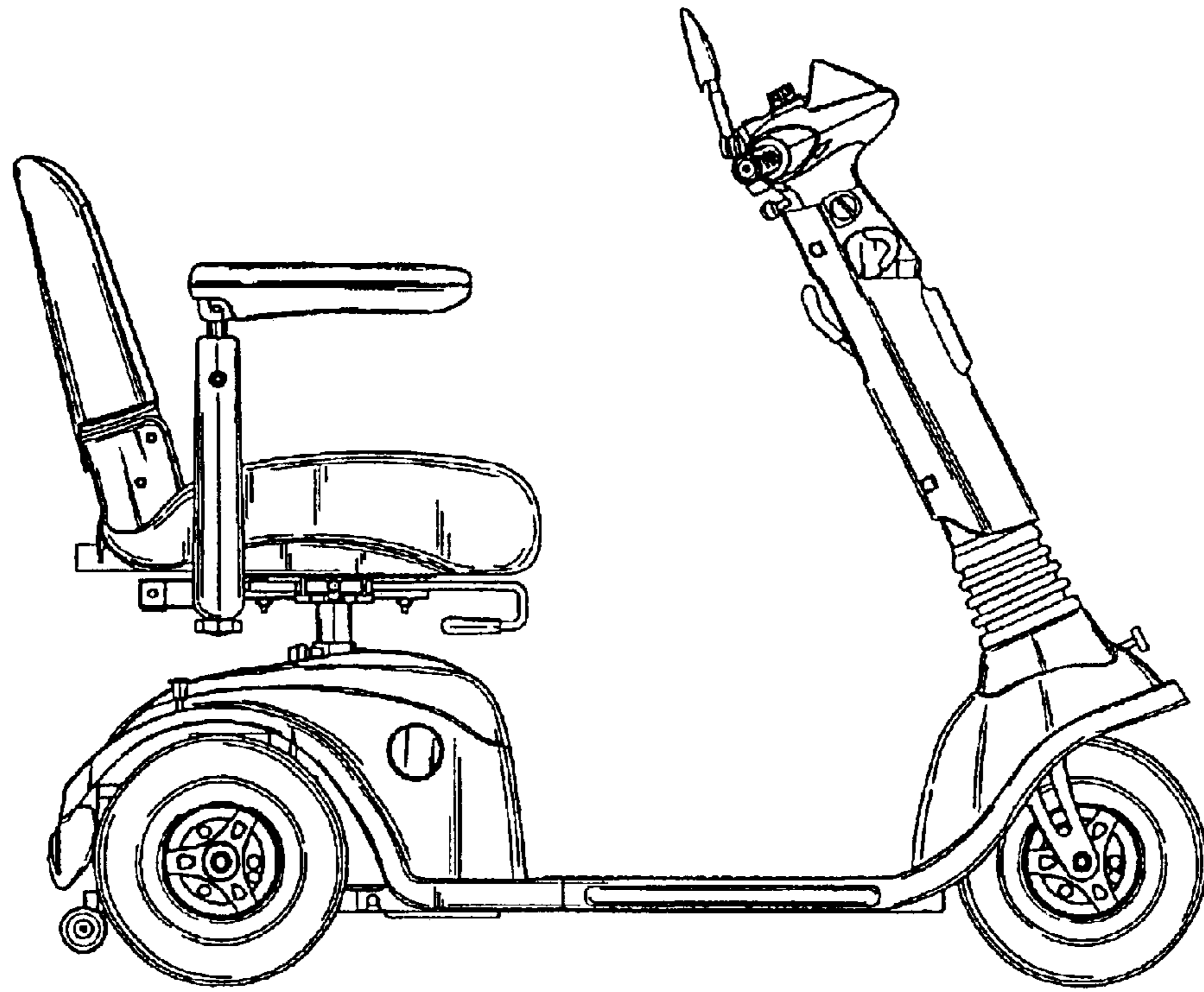


FIG. 4

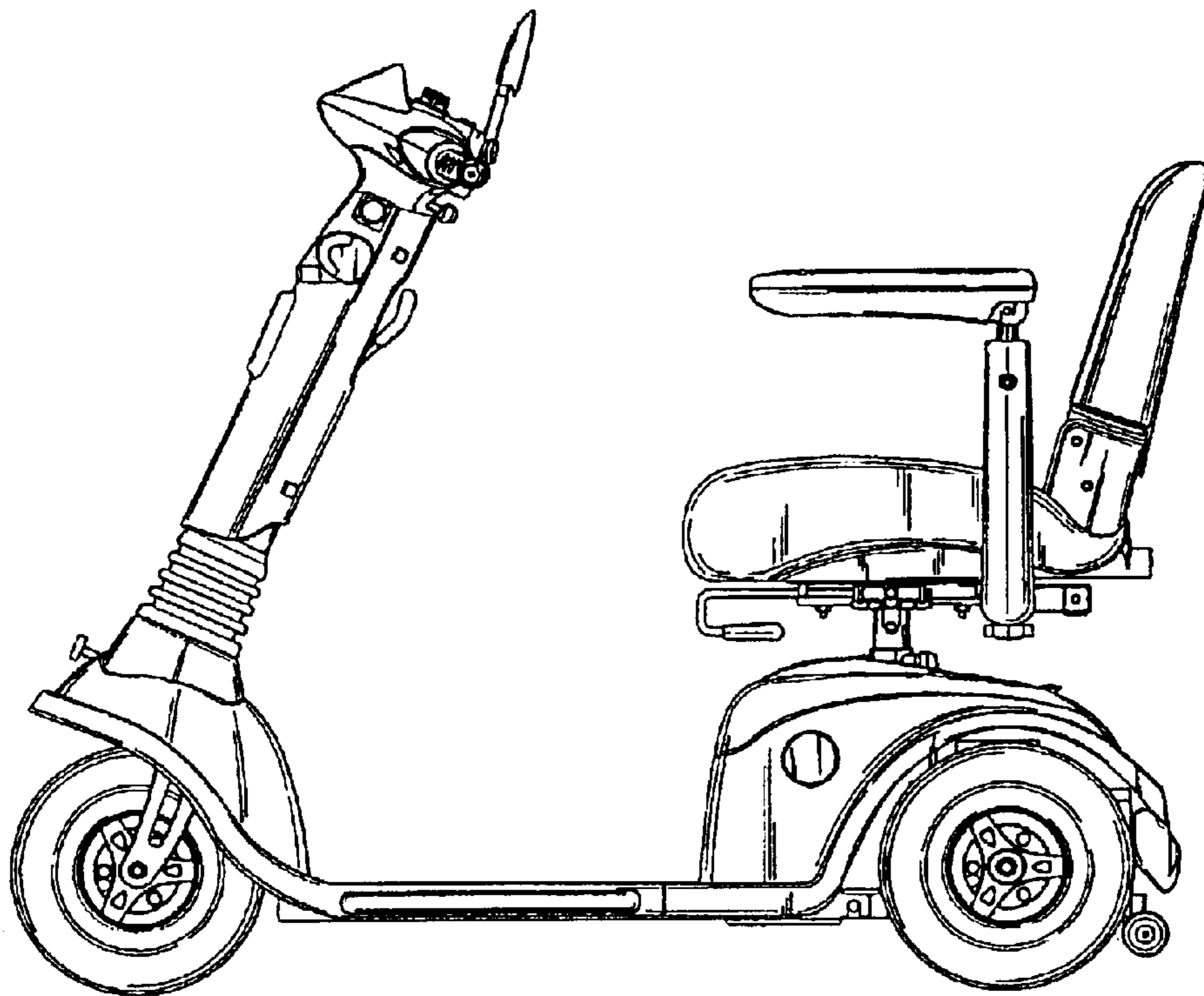


FIG. 5

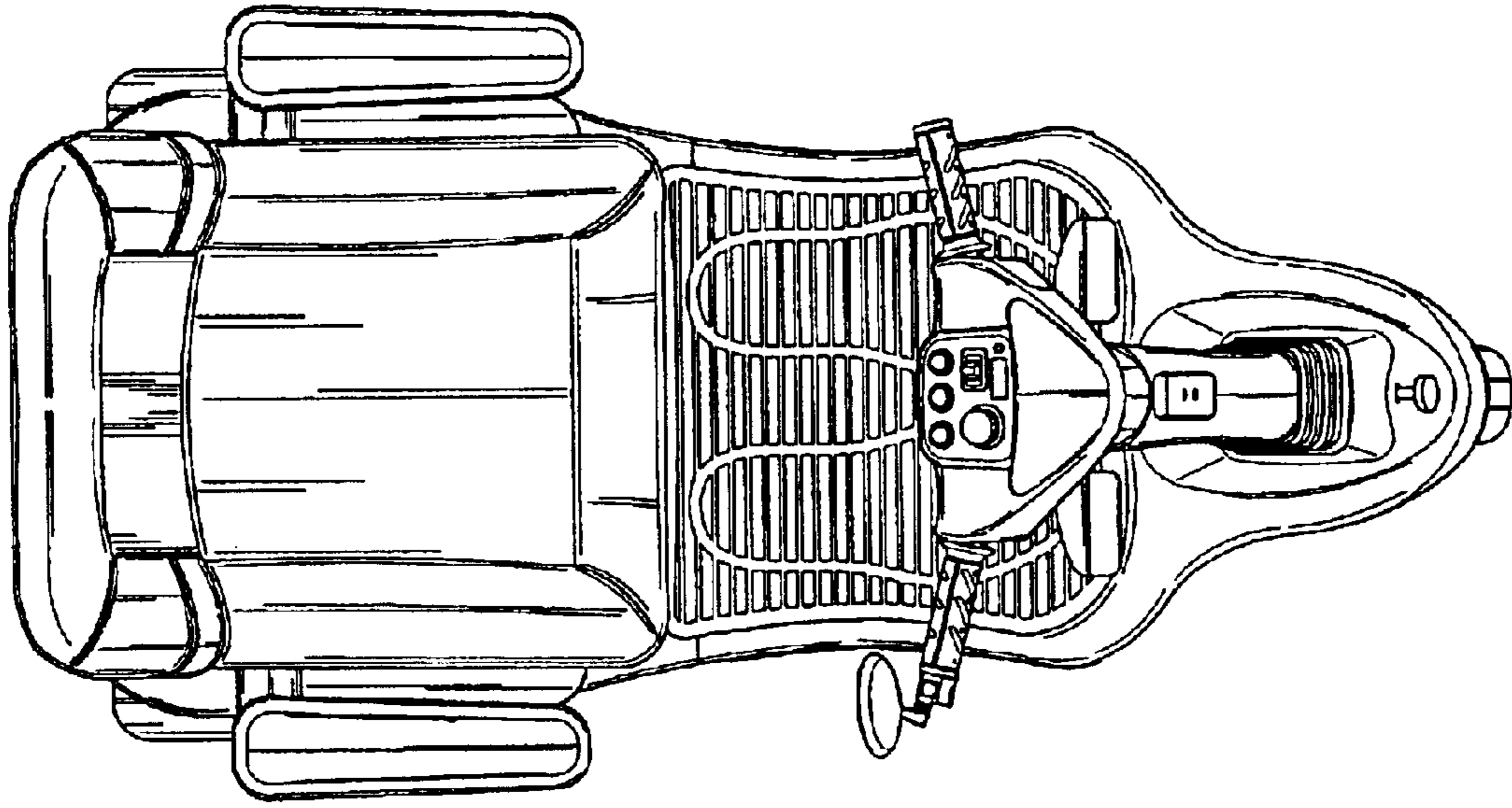


FIG. 6

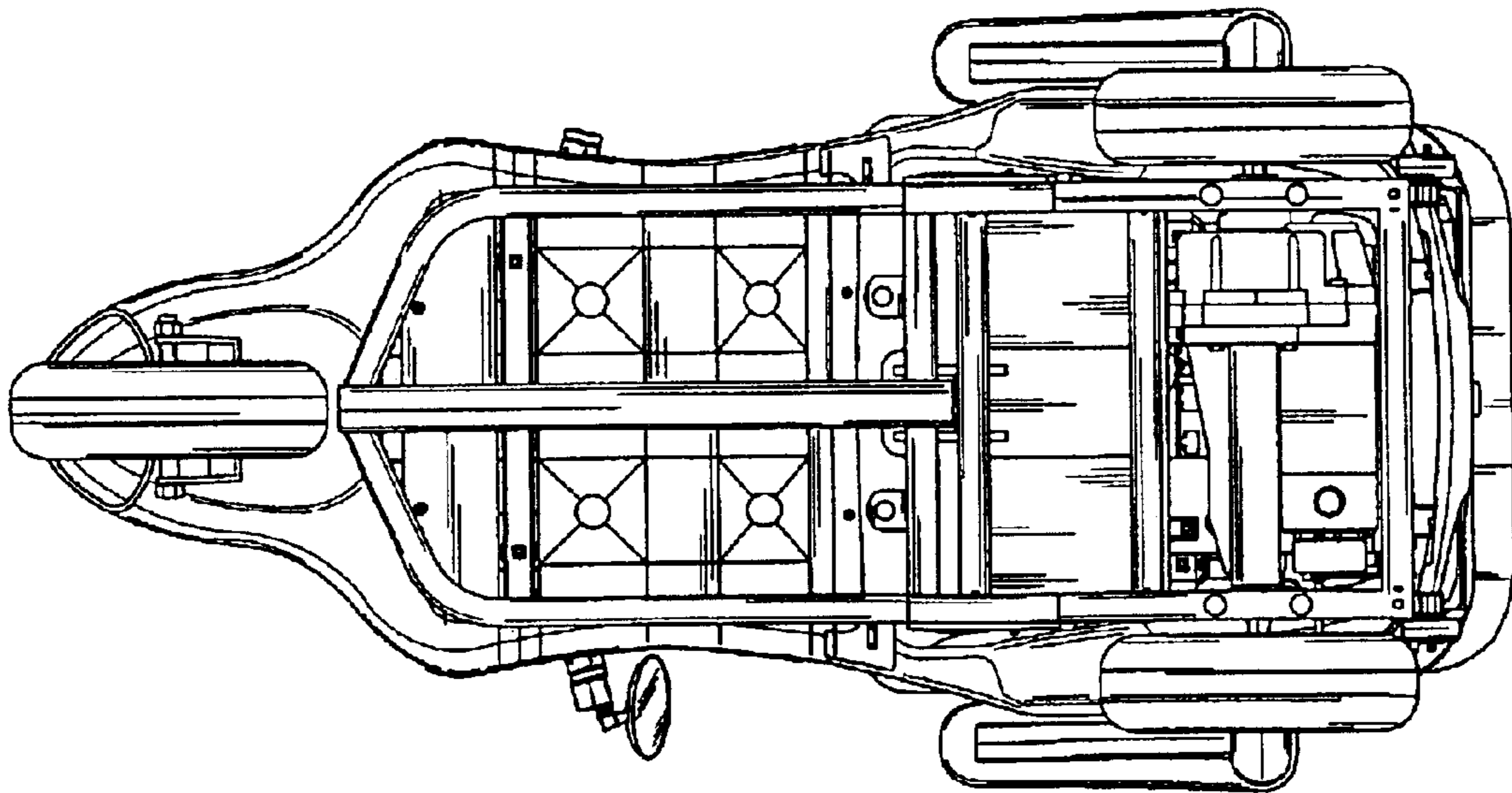


FIG. 7