

US00D494509S1

(12) **United States Design Patent**
Chiappetta et al.

(10) **Patent No.:** **US D494,509 S**

(45) **Date of Patent:** **** Aug. 17, 2004**

(54) **TRICYCLE**

(75) Inventors: **Gary Chiappetta**, Hinsdale, IL (US);
Andrew Manocneo, Chicago, IL (US);
Chuck Judy, Chicago, IL (US); **Joel**
Koster, Chicago, IL (US); **Hector**
Rodriquez, Aurora, IL (US)

(73) Assignee: **Radio Flyer Inc.**, Chicago, IL (US)

(**) Term: **14 Years**

(21) Appl. No.: **29/189,341**

(22) Filed: **Sep. 3, 2003**

(51) **LOC (7) Cl.** **12-11**

(52) **U.S. Cl.** **D12/112**

(58) **Field of Search** **D12/112, 113;**
D21/435; 280/278, 282, 281.1, 287, 288.1,
288.2, 288.3

(56) **References Cited**

U.S. PATENT DOCUMENTS

2,619,364 A 11/1952 Carson
3,905,618 A 9/1975 Miranda
4,457,529 A 7/1984 Shamie et al.

D355,870 S * 2/1995 Dieudonne D12/112
D402,596 S * 12/1998 Liu D12/113
6,152,473 A 11/2000 Shih
6,530,589 B1 3/2003 Ma
6,575,486 B2 6/2003 Ma
2003/0098567 A1 5/2003 Chuang

* cited by examiner

Primary Examiner—Alan P. Douglas

Assistant Examiner—Linda Brooks

(74) *Attorney, Agent, or Firm*—Piper Rudnick LLP

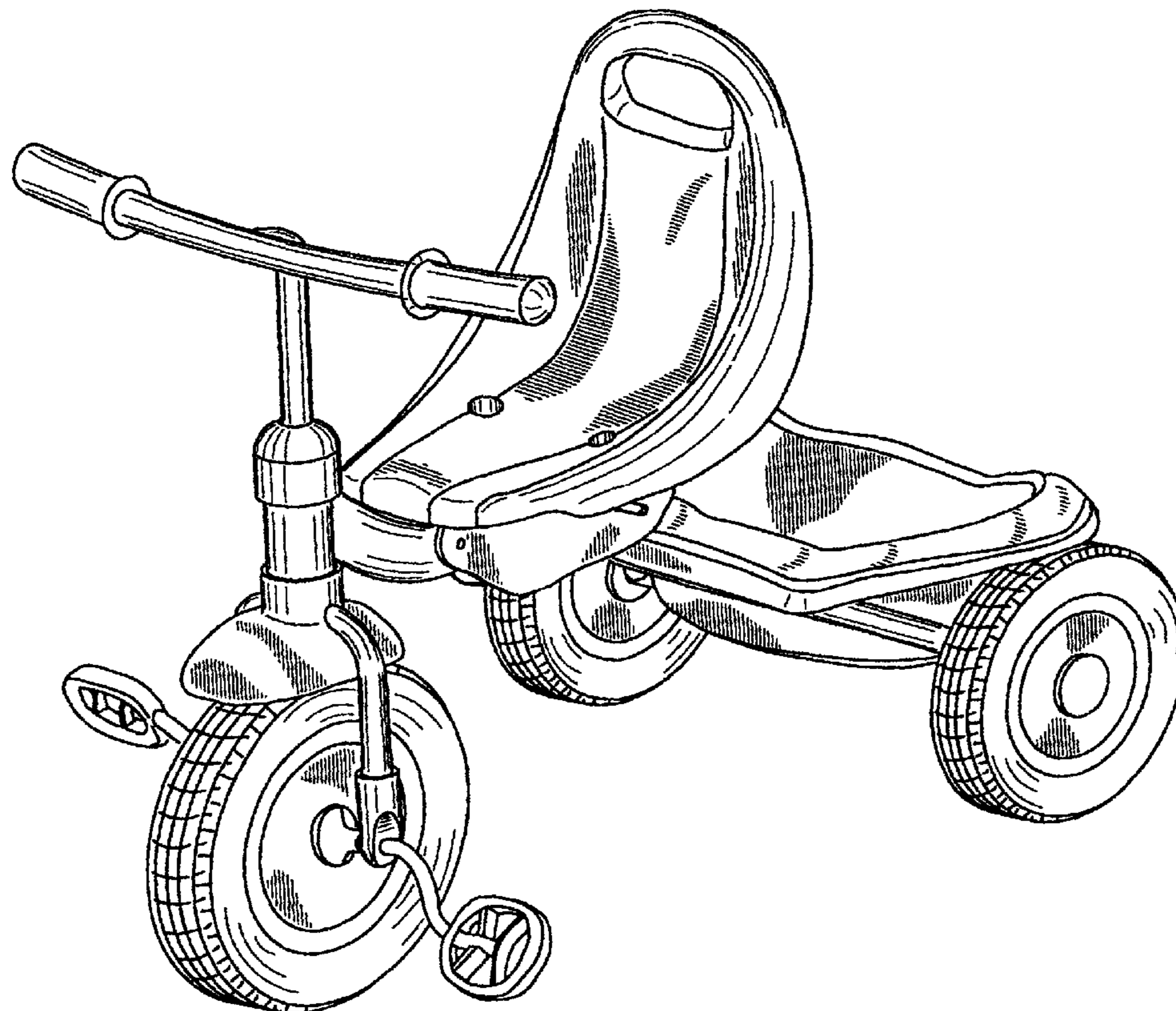
(57) **CLAIM**

The ornamental design for a tricycle, as shown and described.

DESCRIPTION

FIG. 1 is a perspective view of the design;
FIG. 2 is a front elevational view of the design;
FIG. 3 is a side elevational view of the design, the opposite side of which is an identical mirror image;
FIG. 4 is a rear elevational view of the design;
FIG. 5 is a top plan view of the design; and,
FIG. 6 is a bottom plan view of the design.

1 Claim, 6 Drawing Sheets



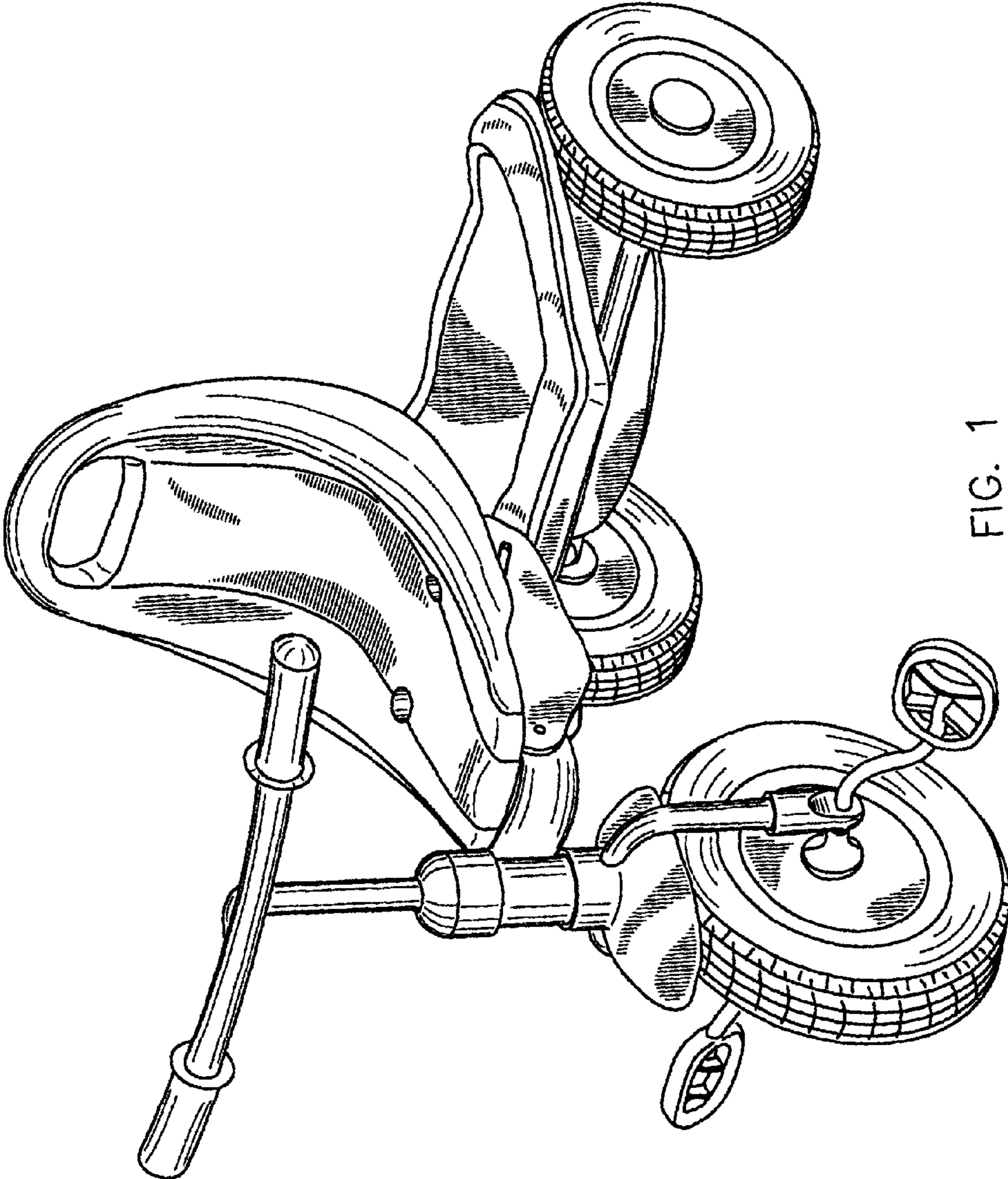


FIG. 1

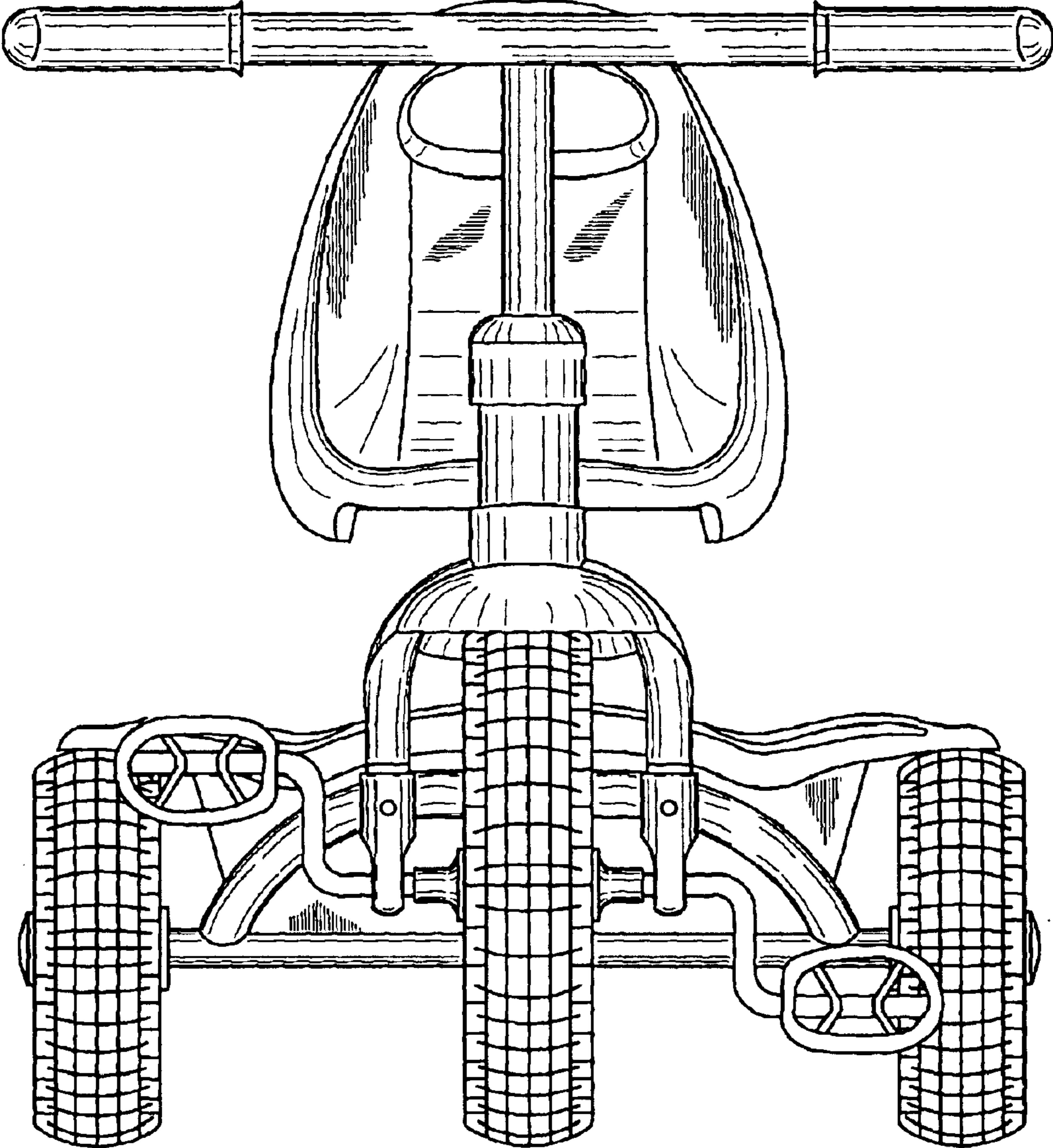


FIG. 2

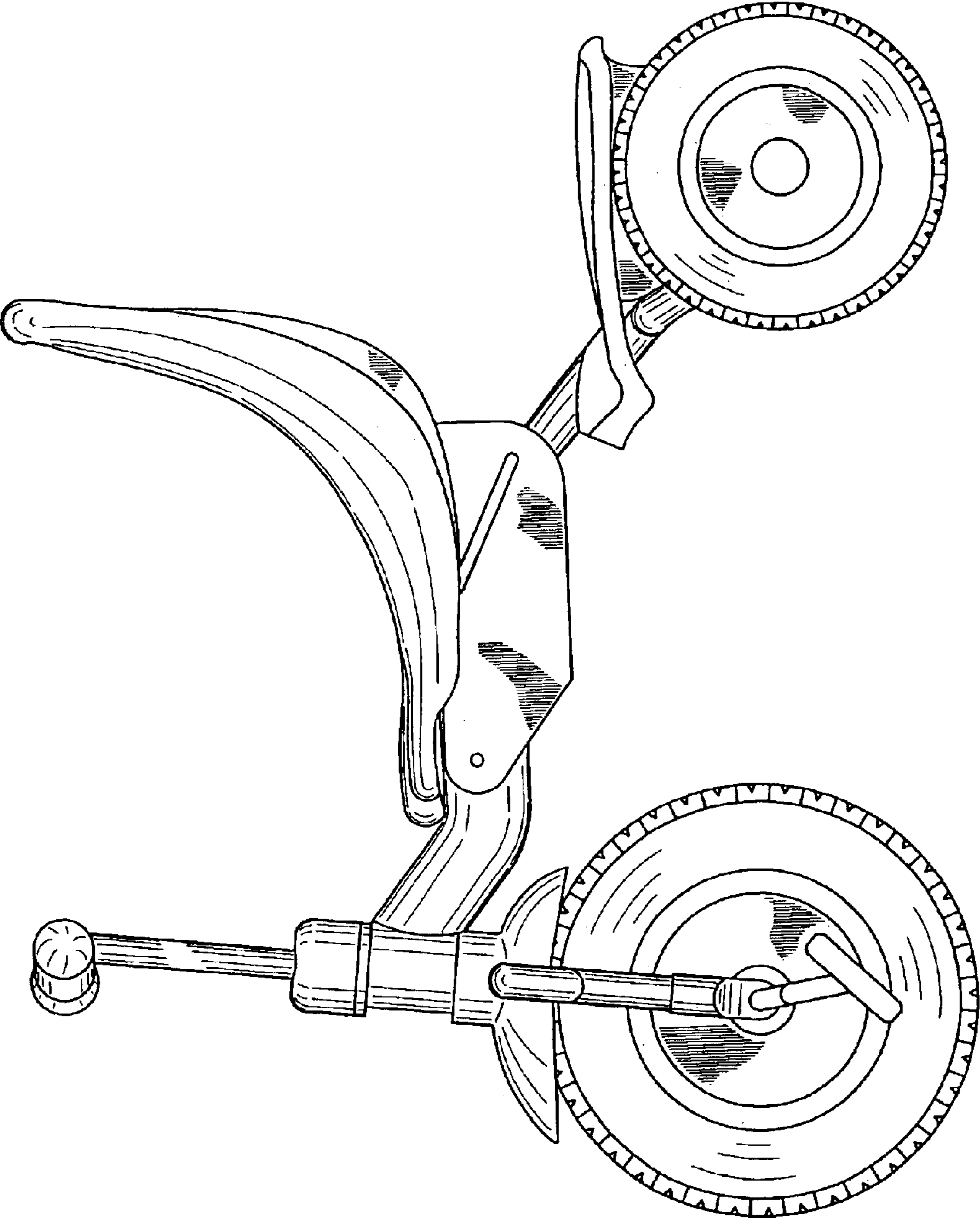


FIG. 3

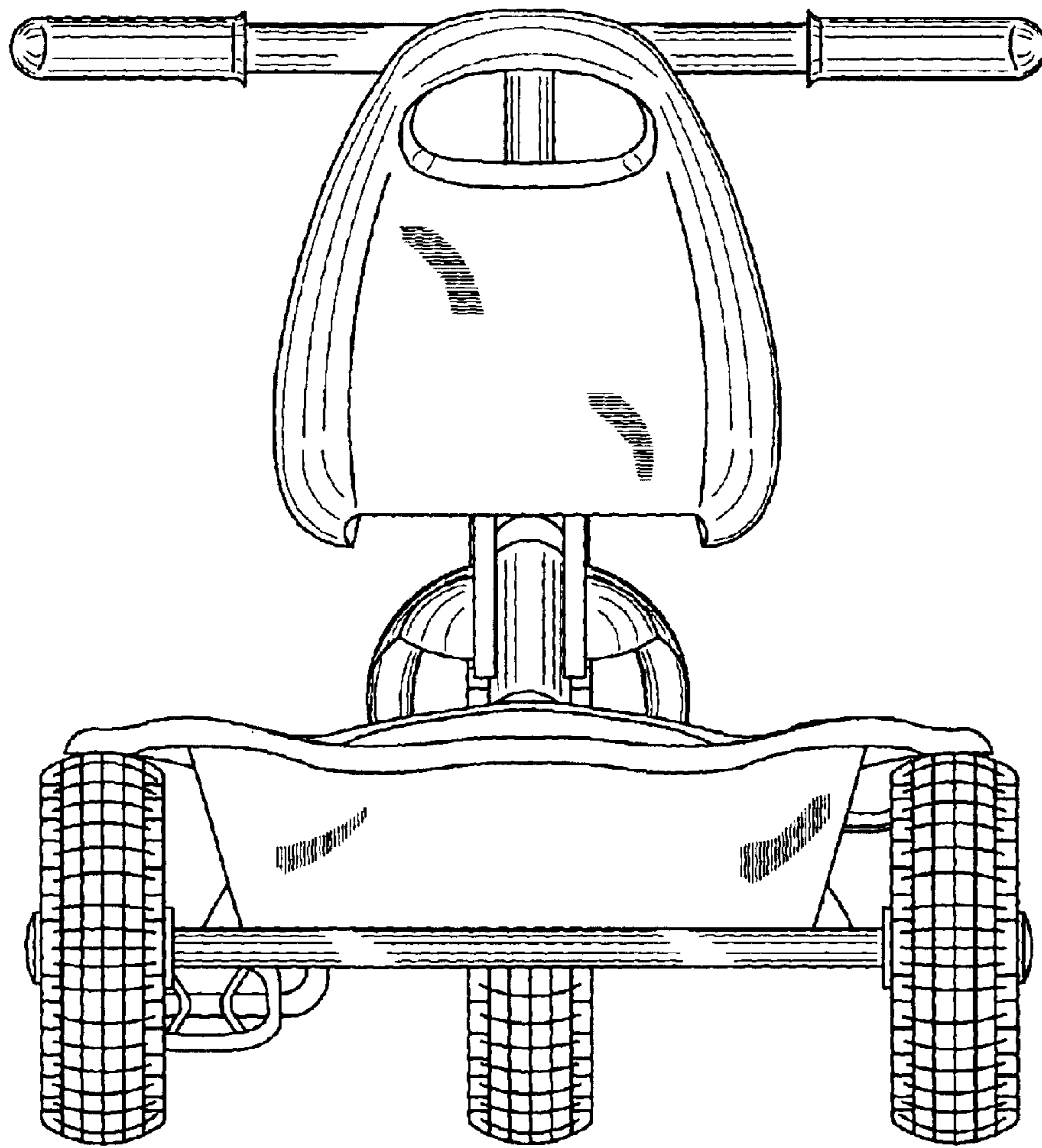


FIG. 4

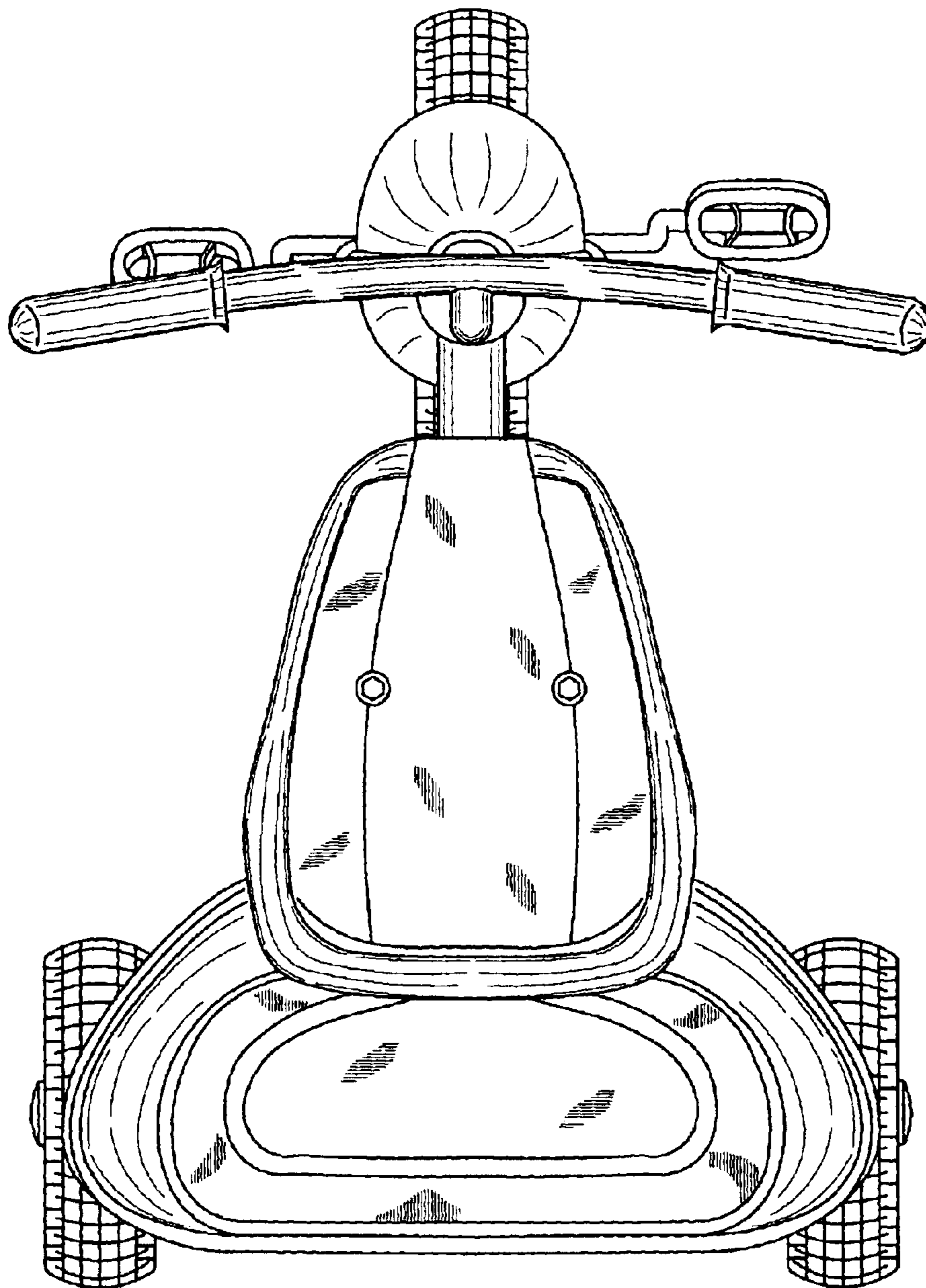


FIG. 5

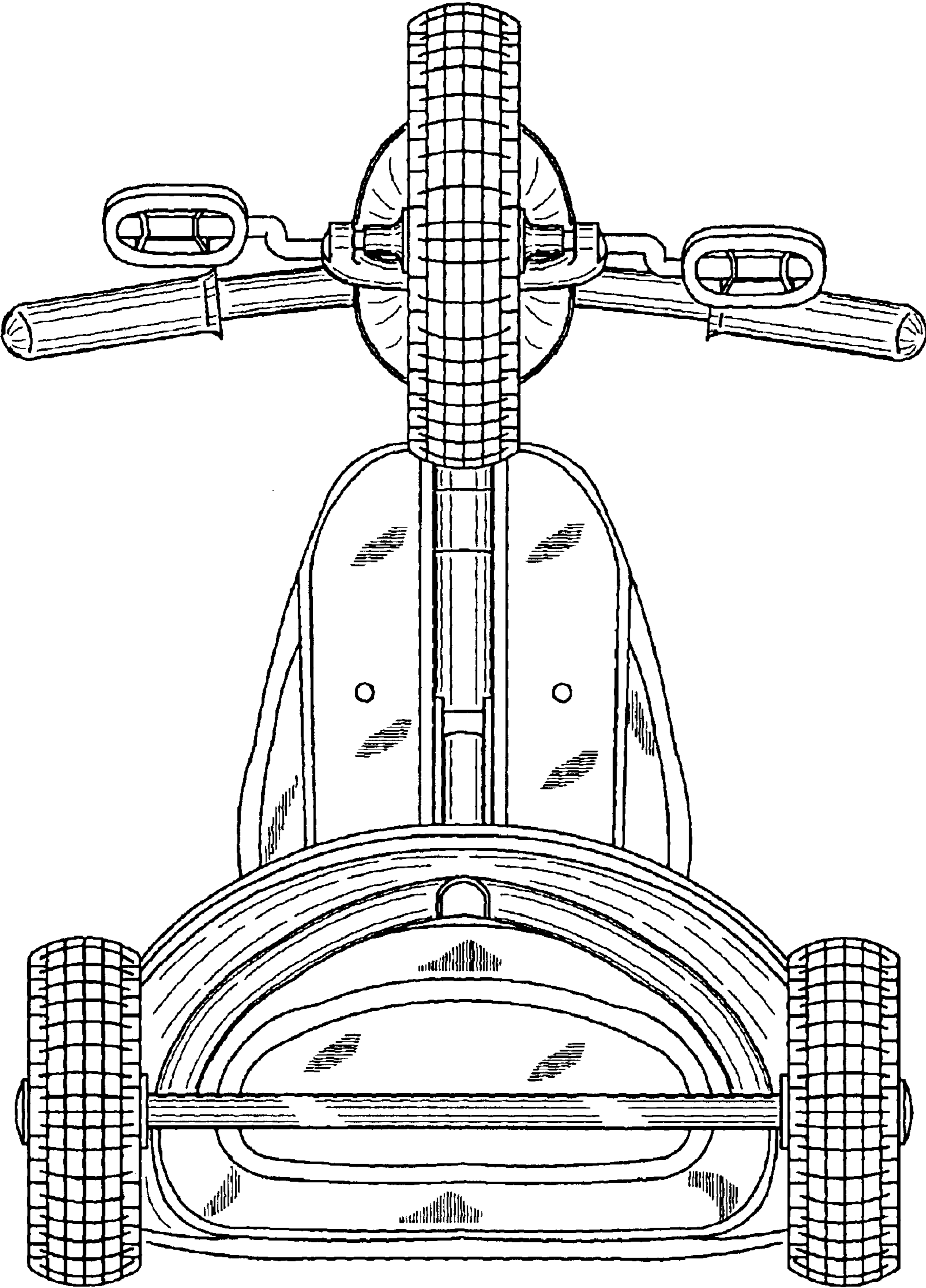


FIG. 6