

US00D494508S1

(12) **United States Design Patent**
Liu

(10) **Patent No.:** **US D494,508 S**

(45) **Date of Patent:** **** Aug. 17, 2004**

(54) **BICYCLE**

(76) **Inventor:** **Yueh-Fen Liu**, No. 25, Lane 106,
Shan-Hsi-Chung St., Taichung (TW)

(**) **Term:** **14 Years**

(21) **Appl. No.:** **29/191,398**

(22) **Filed:** **Oct. 6, 2003**

(51) **LOC (7) Cl.** **12-11**

(52) **U.S. Cl.** **D12/111**

(58) **Field of Search** **D12/111; 280/274,**
280/275, 278, 281.1, 283, 287, 288.3

(56) **References Cited**

U.S. PATENT DOCUMENTS

5,590,895 A * 1/1997 Hiramoto 280/278
D460,025 S * 7/2002 Yu et al. D12/111

* cited by examiner

Primary Examiner—Alan P. Douglas

Assistant Examiner—Linda Brooks

(74) *Attorney, Agent, or Firm*—Dellett & Walters

(57) **CLAIM**

The ornamental design for a bicycle, as shown and described.

DESCRIPTION

FIG. 1 is a perspective view of a bicycle, showing my new design;

FIG. 2 is a front elevational view thereof;

FIG. 3 is a rear elevational view thereof;

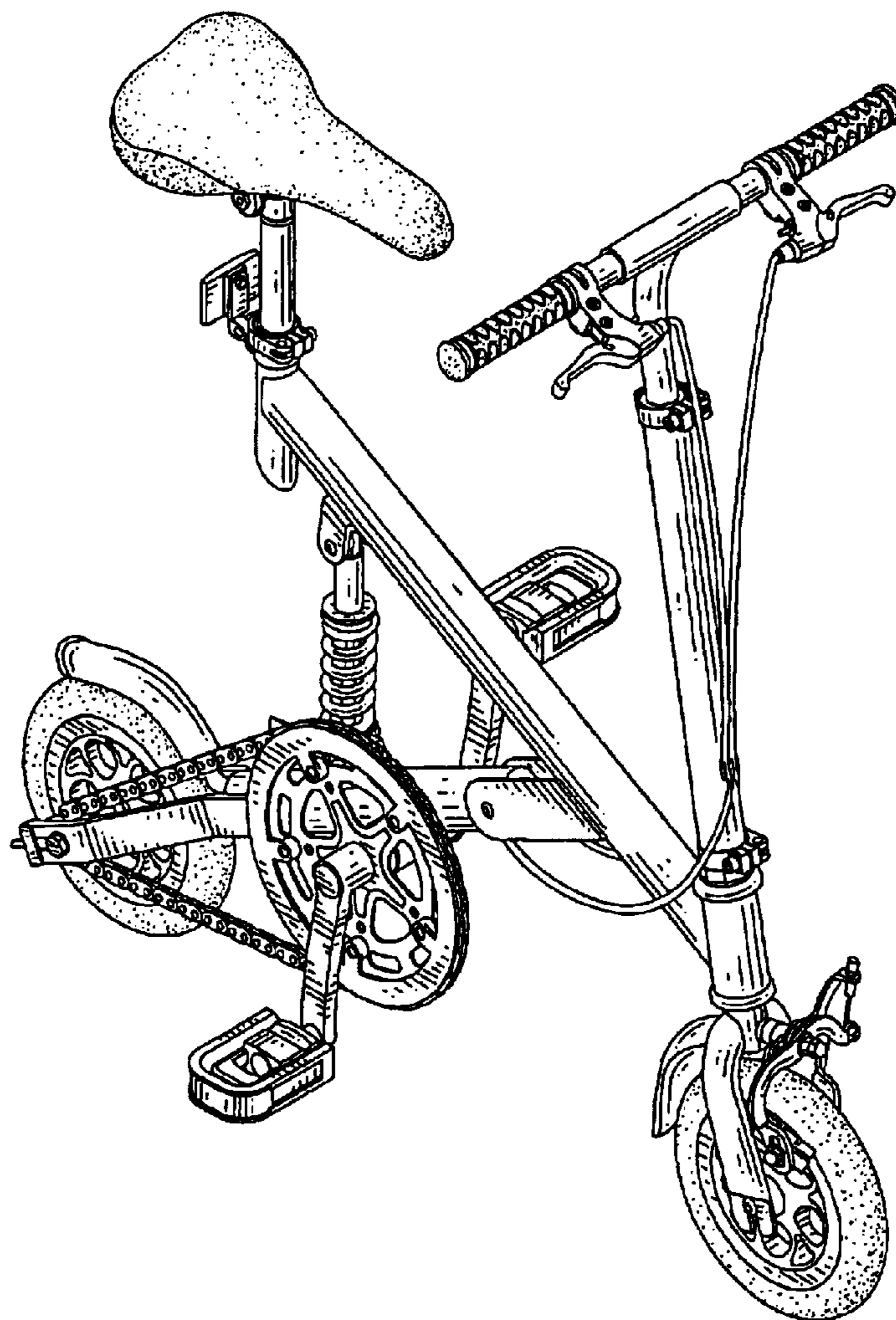
FIG. 4 is a left elevational view thereof;

FIG. 5 is a right elevational view thereof;

FIG. 6 is a top plan view thereof; and,

FIG. 7 is a bottom plan view thereof.

1 Claim, 5 Drawing Sheets



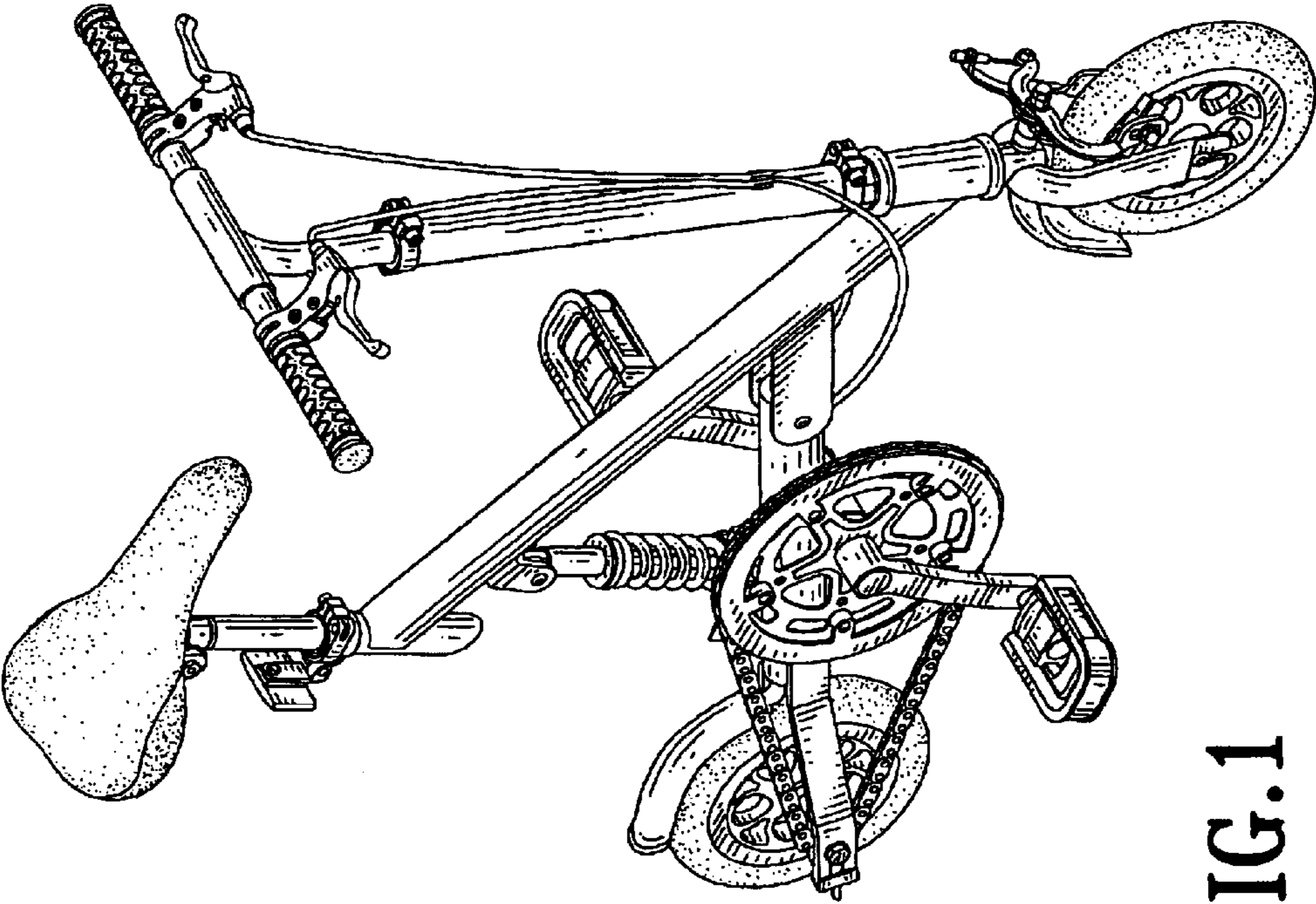


FIG. 1

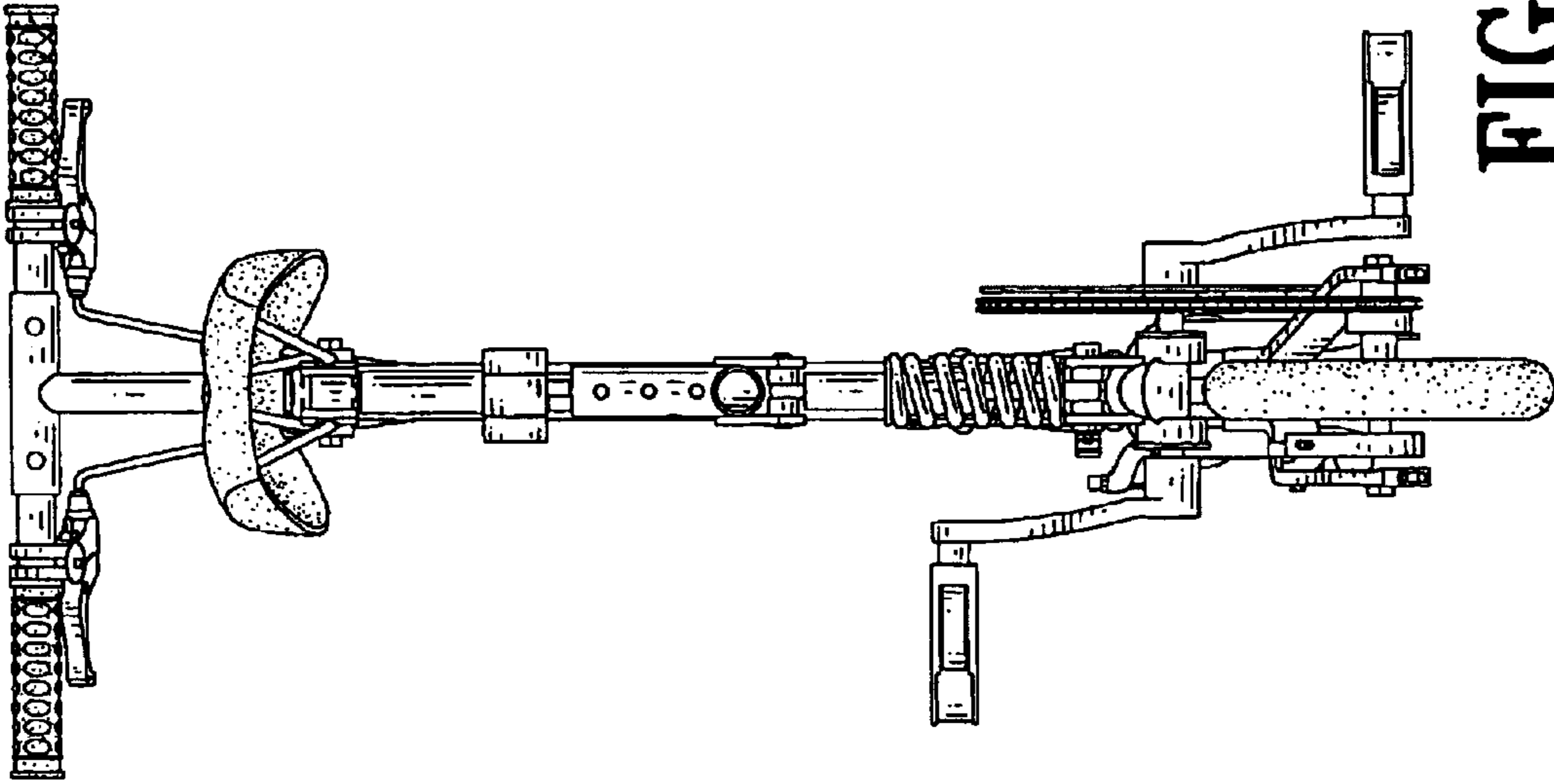


FIG. 3

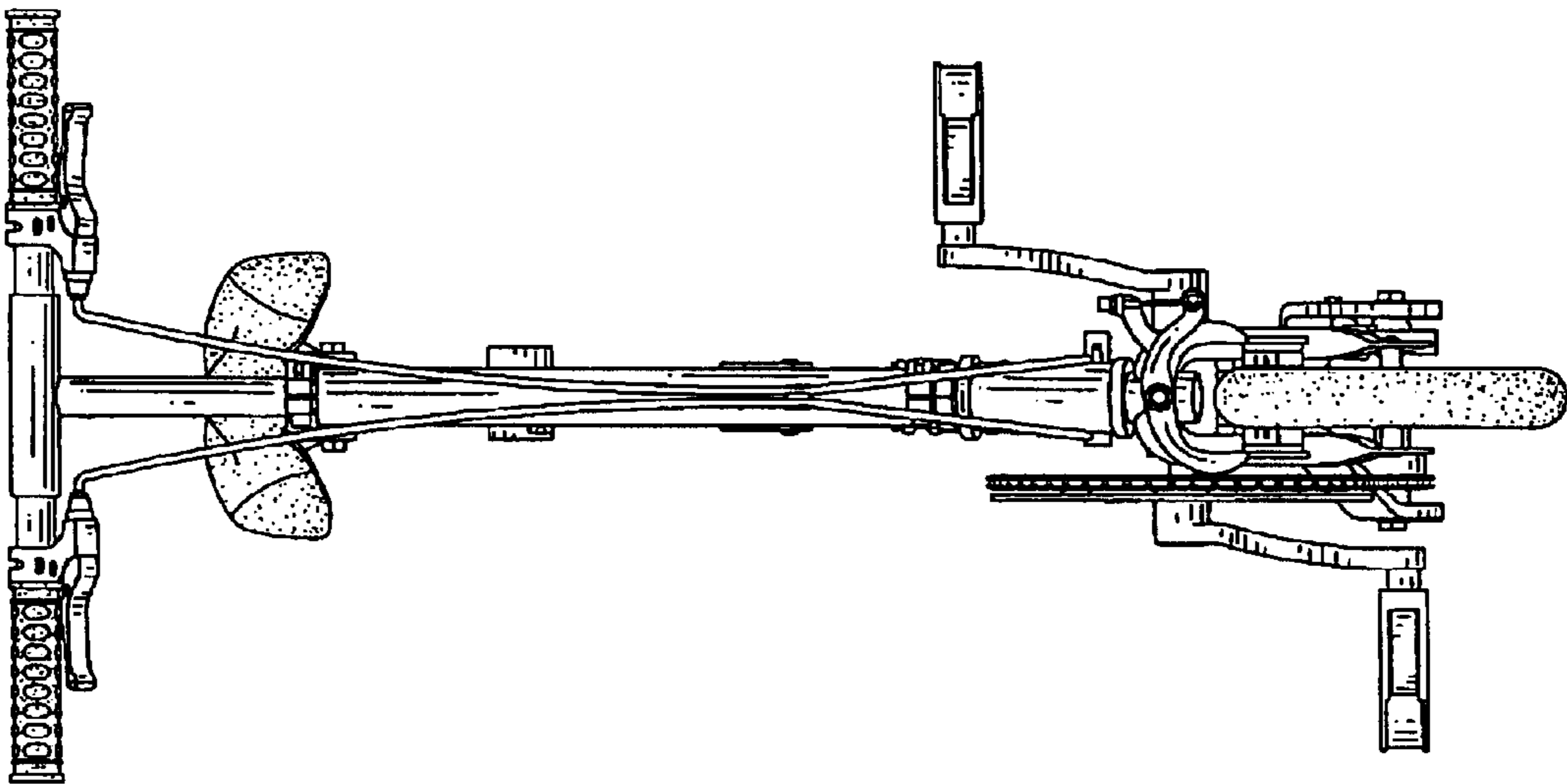


FIG. 2

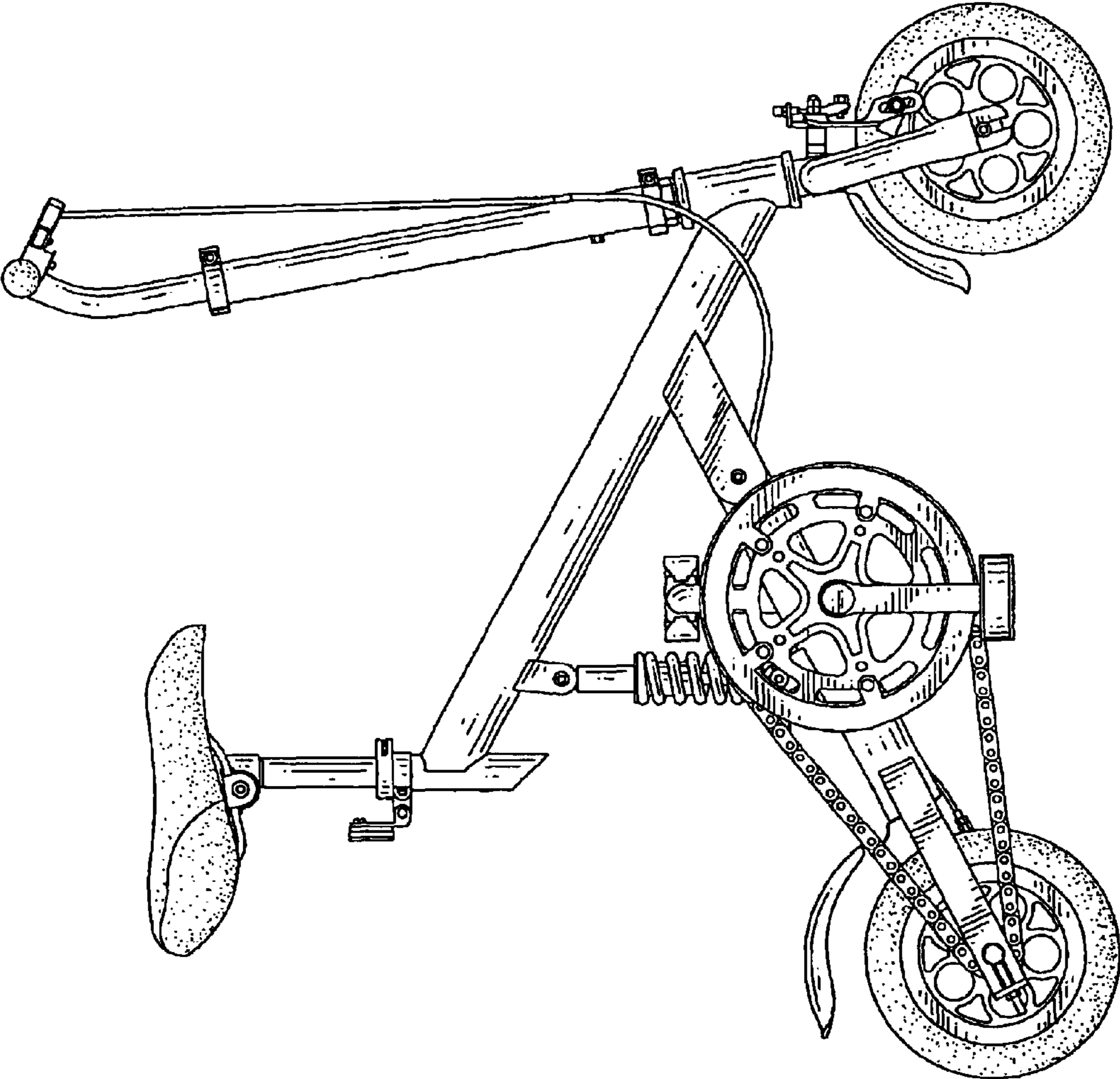
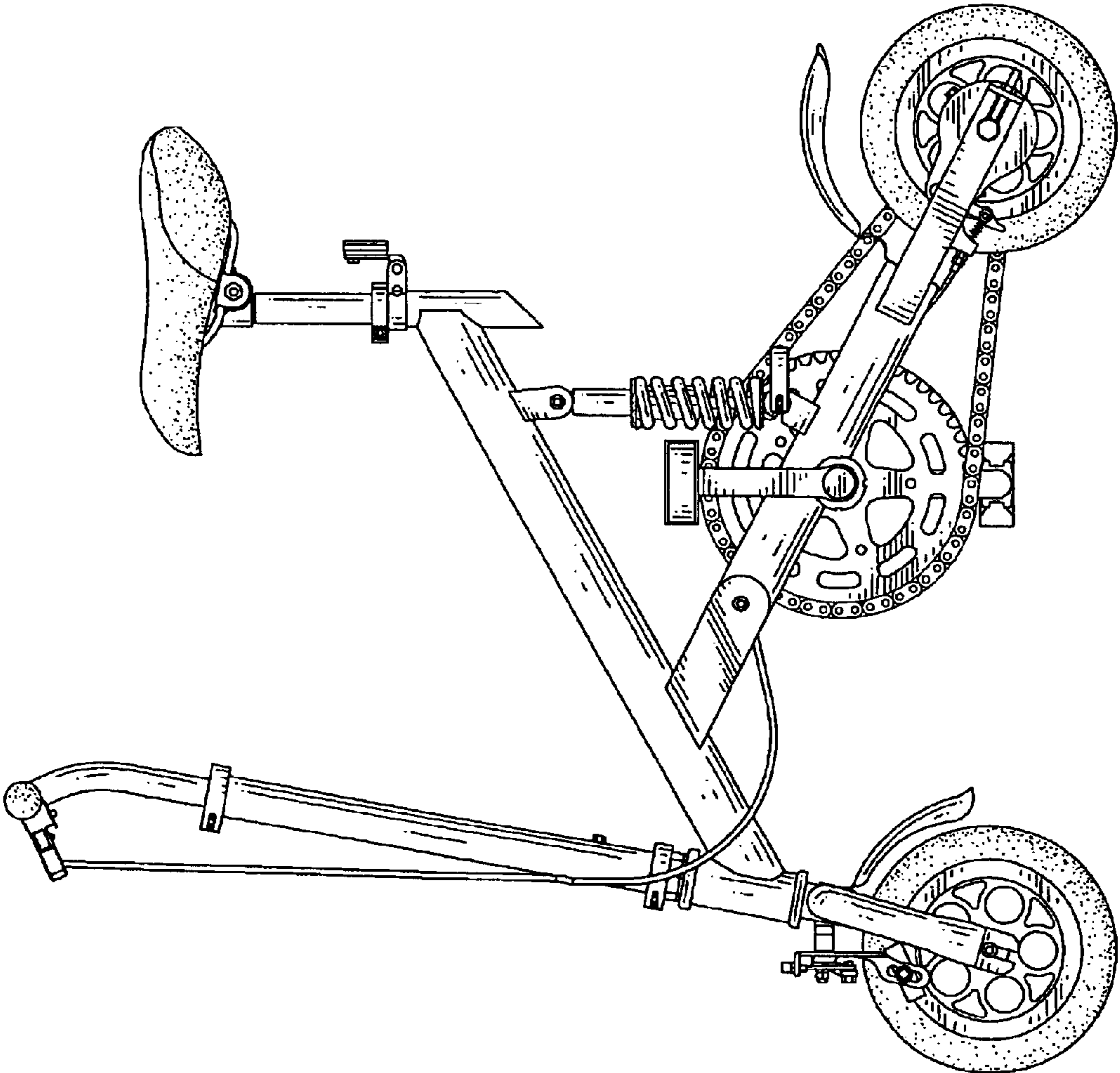


FIG. 4

FIG. 5



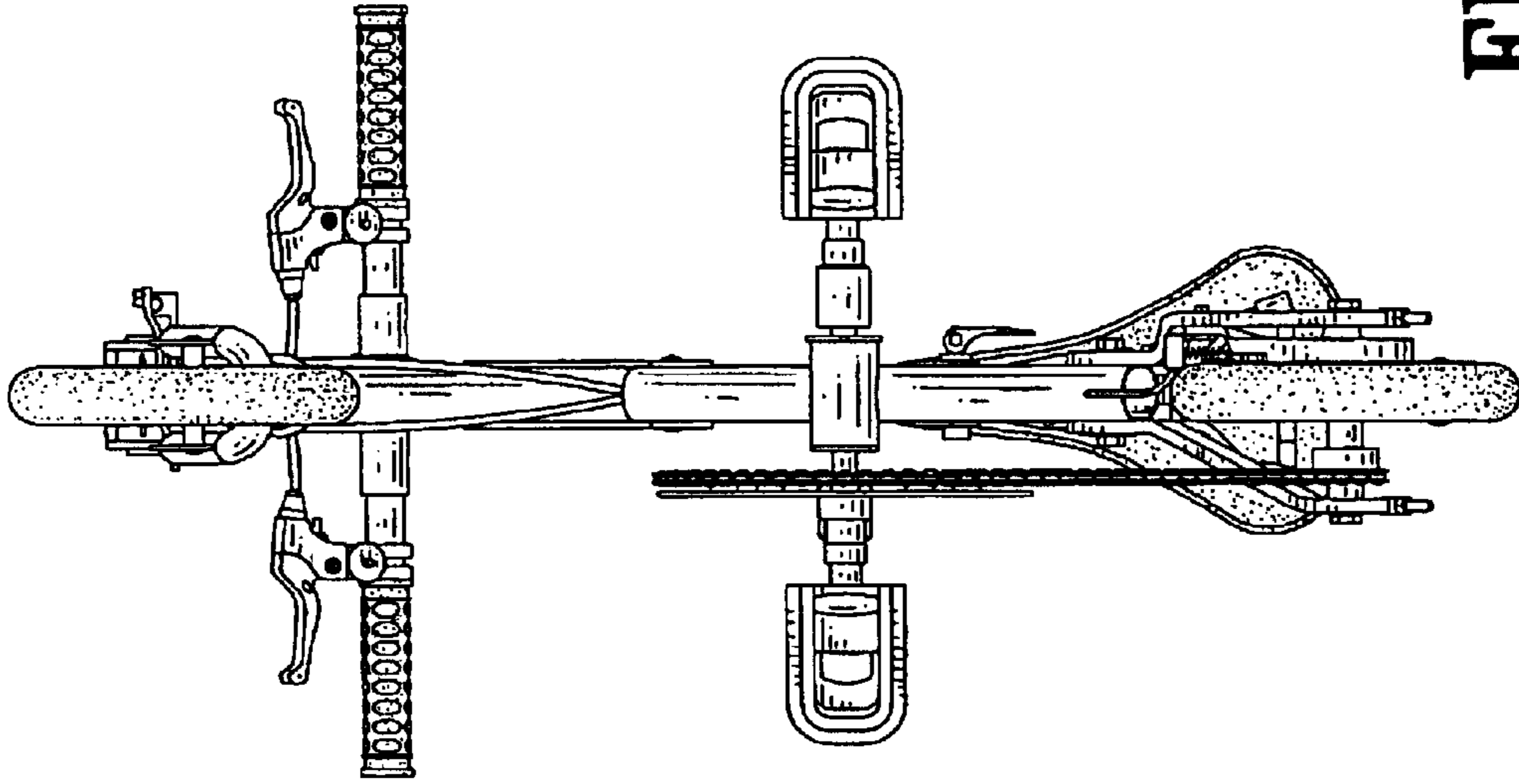


FIG. 7

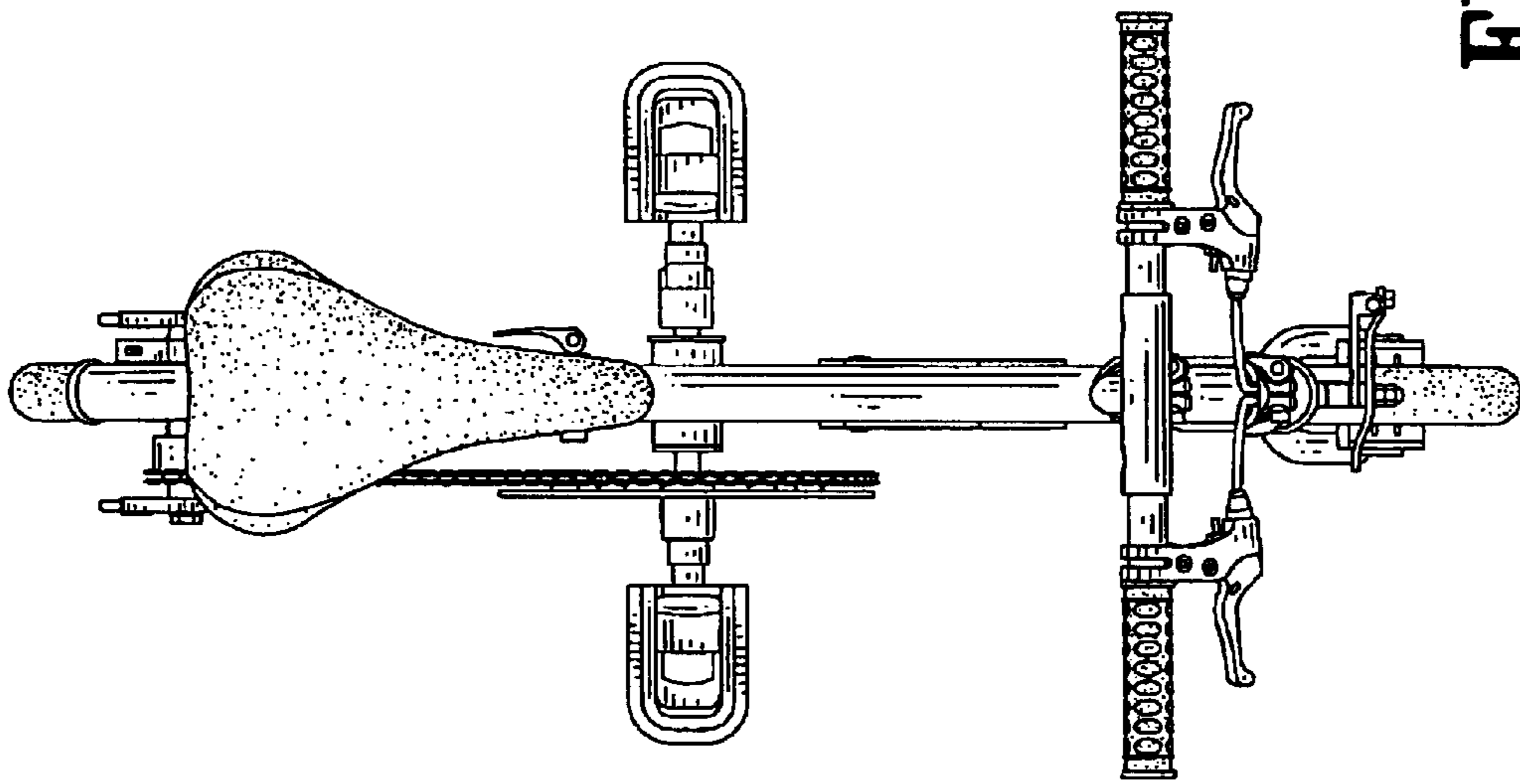


FIG. 6