

US00D494506S1

(12) **United States Design Patent** (10) **Patent No.:** **US D494,506 S**
Okonkwo (45) **Date of Patent:** **** Aug. 17, 2004**

(54) **SPORTS CROSSOVER VEHICLE BODY**

Primary Examiner—Melody N. Brown

(75) Inventor: **Chidi Okonkwo**, 670 McGill Pl.,
Atlanta, GA (US) 30312

(57) **CLAIM**

The ornamental design for a sports crossover vehicle body,
as shown and described.

(73) Assignee: **Chidi Okonkwo**, Atlanta, GA (US)

(**) Term: **14 Years**

DESCRIPTION

(21) Appl. No.: **29/189,223**

FIG. 1 is a front perspective view of a sports crossover
vehicle body, showing my new design;

(22) Filed: **Sep. 2, 2003**

FIG. 2 is a rear perspective view thereof, showing the turn
signals, in pairs around the vehicle;

(51) **LOC (7) Cl.** **12-08**

FIG. 3 is a side view thereof, showing the twin exhausts
beneath the rear passenger door;

(52) **U.S. Cl.** **D12/92**

FIG. 4 is a rear view thereof;

(58) **Field of Search** D12/90–92, 86;
D21/424, 433; 296/185

FIG. 5 is a front view thereof;

(56) **References Cited**

FIG. 6 is a rear perspective view thereof, showing the rear
windshield open; and,

U.S. PATENT DOCUMENTS

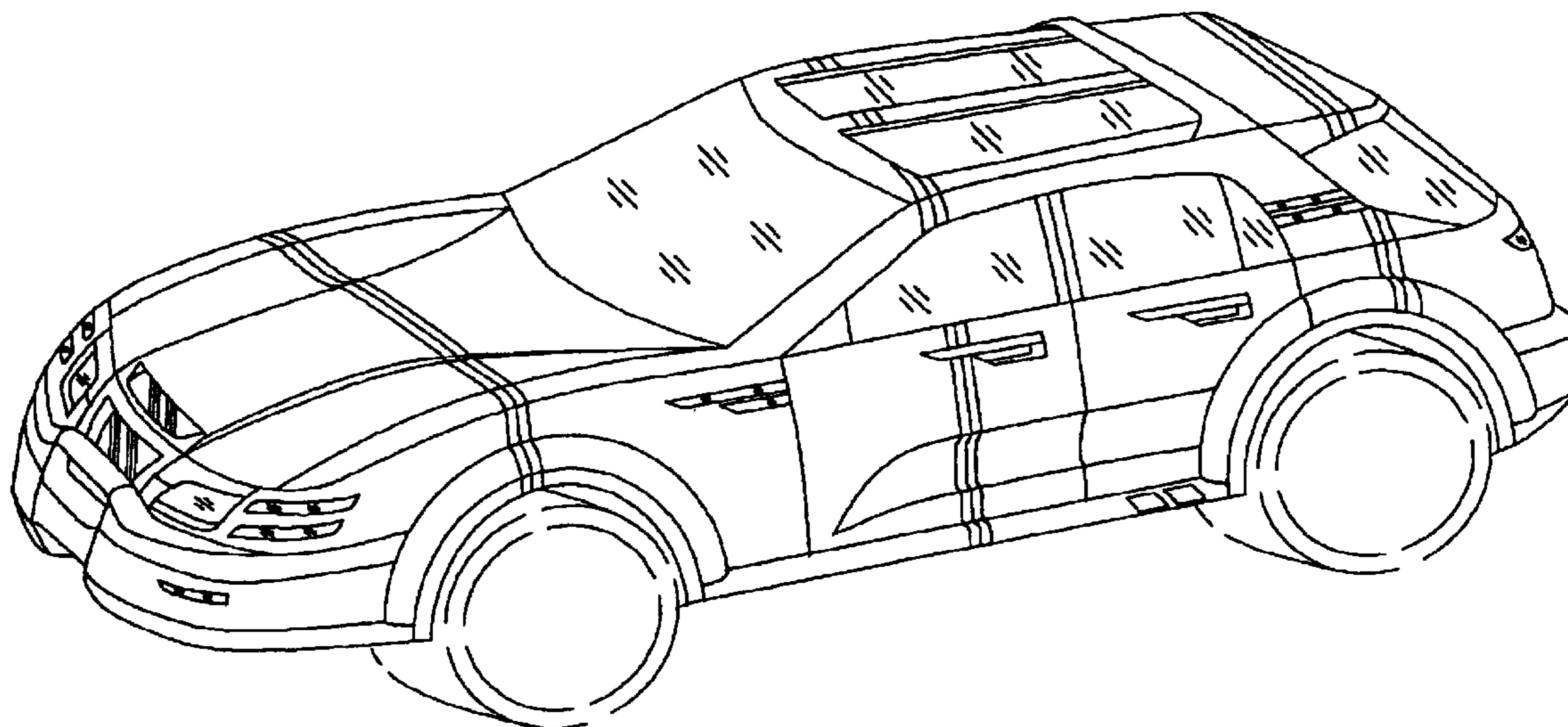
FIG. 7 is a rear perspective view thereof, showing the rear
gate open.

D456,310 S	*	4/2002	Okonkwo	D12/86
D466,054 S	*	11/2002	Hsu	D12/92
D469,038 S	*	1/2003	Mattin et al.	D12/91
D484,440 S	*	12/2003	Okonkwo	D12/92

The wheels shown in broken lines are for illustrative pur-
poses only and form no part of the claimed design.

* cited by examiner

1 Claim, 6 Drawing Sheets



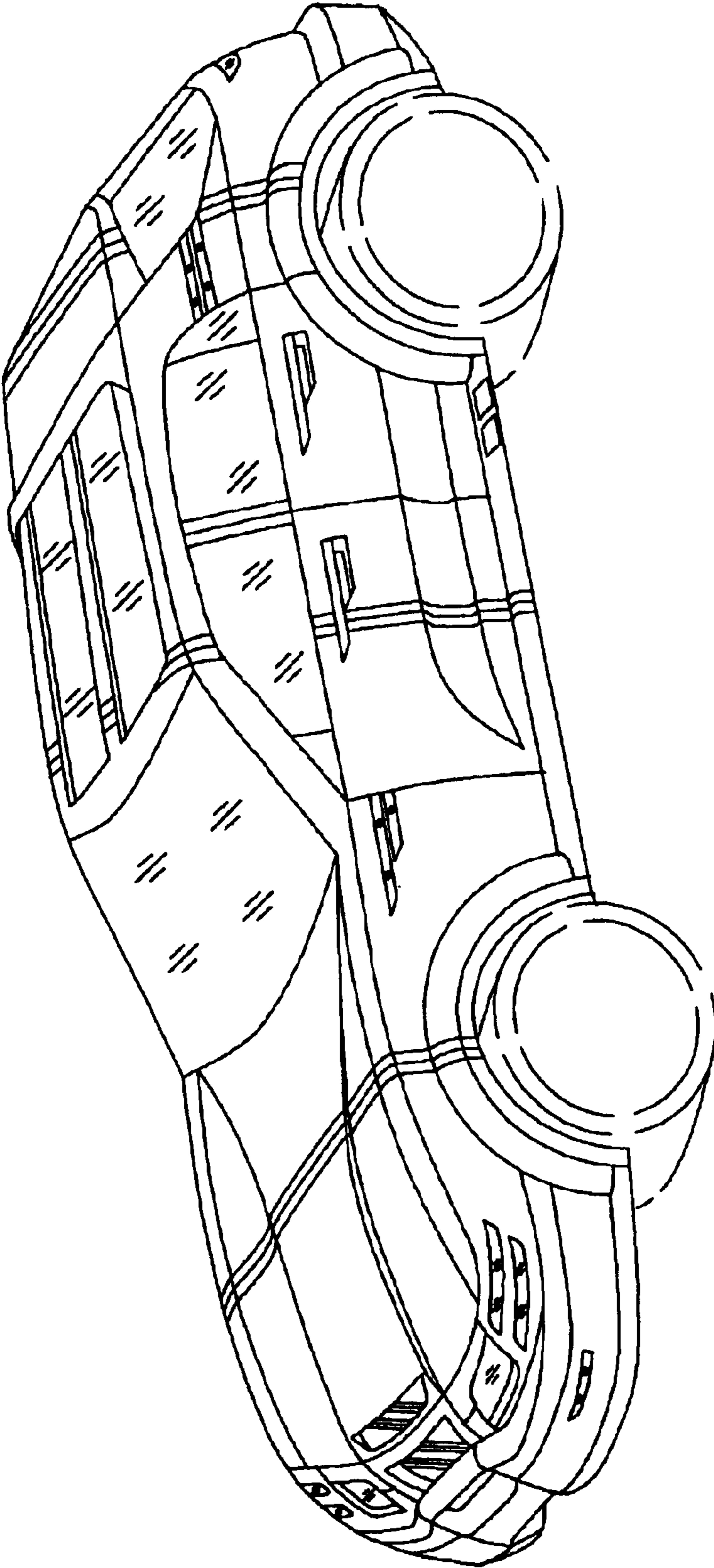


FIG. 1

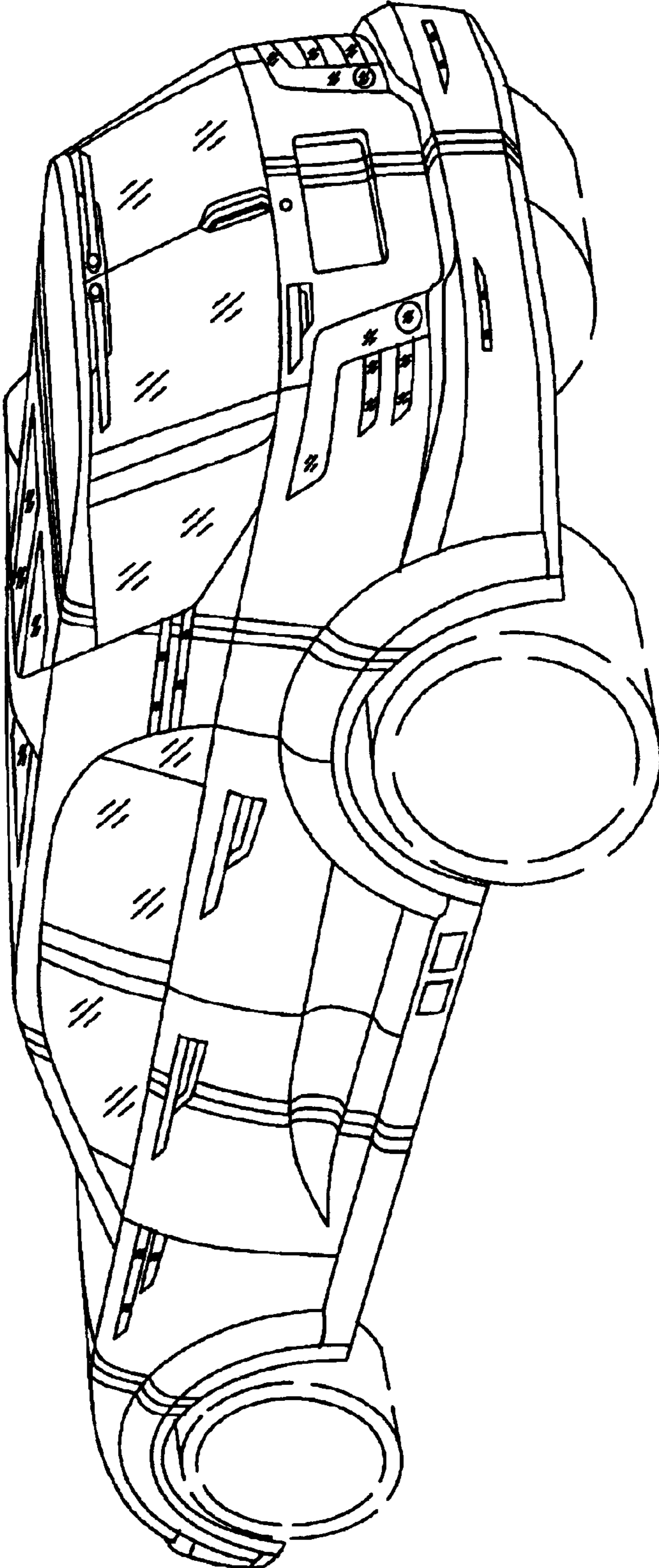


FIG. 2

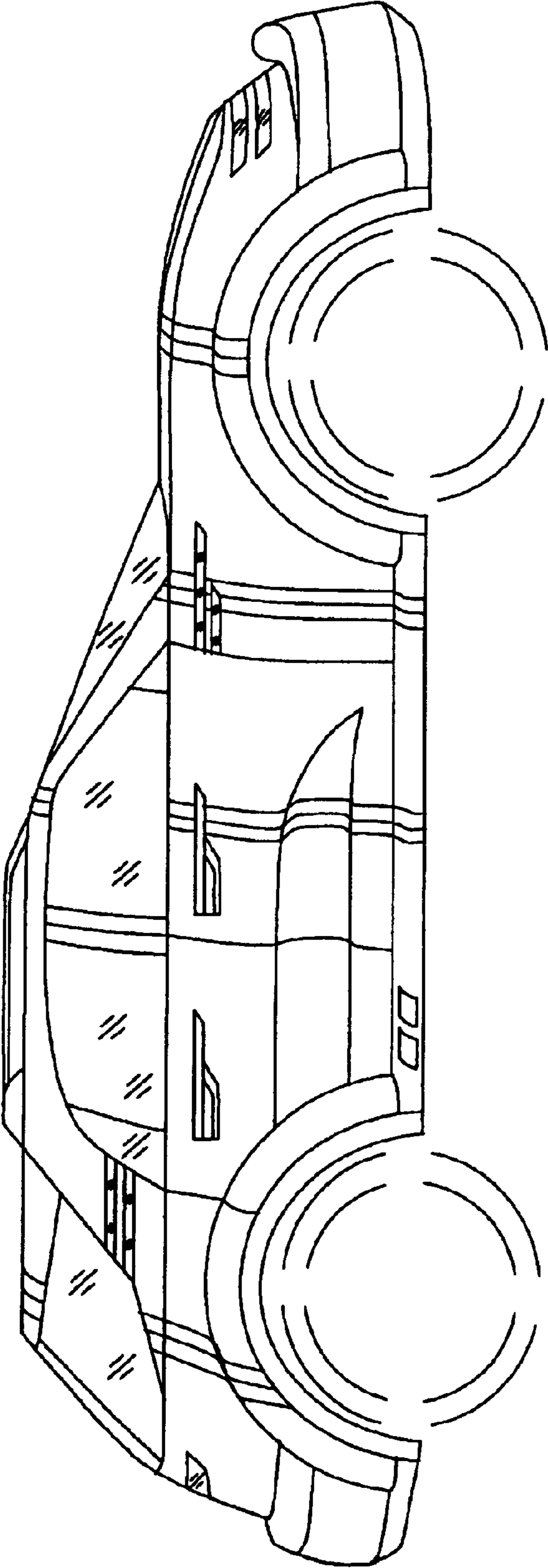


FIG. 3

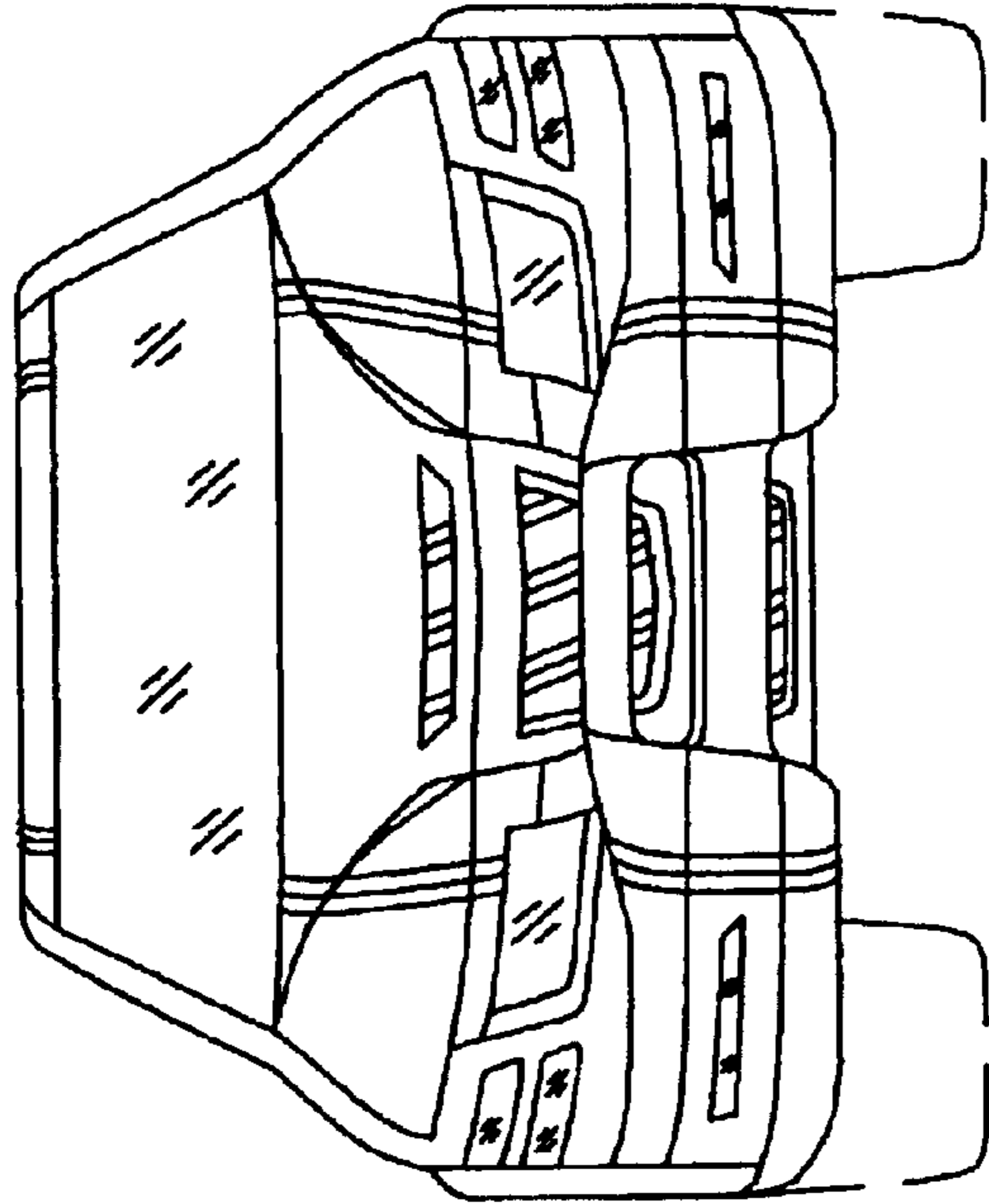


FIG. 5

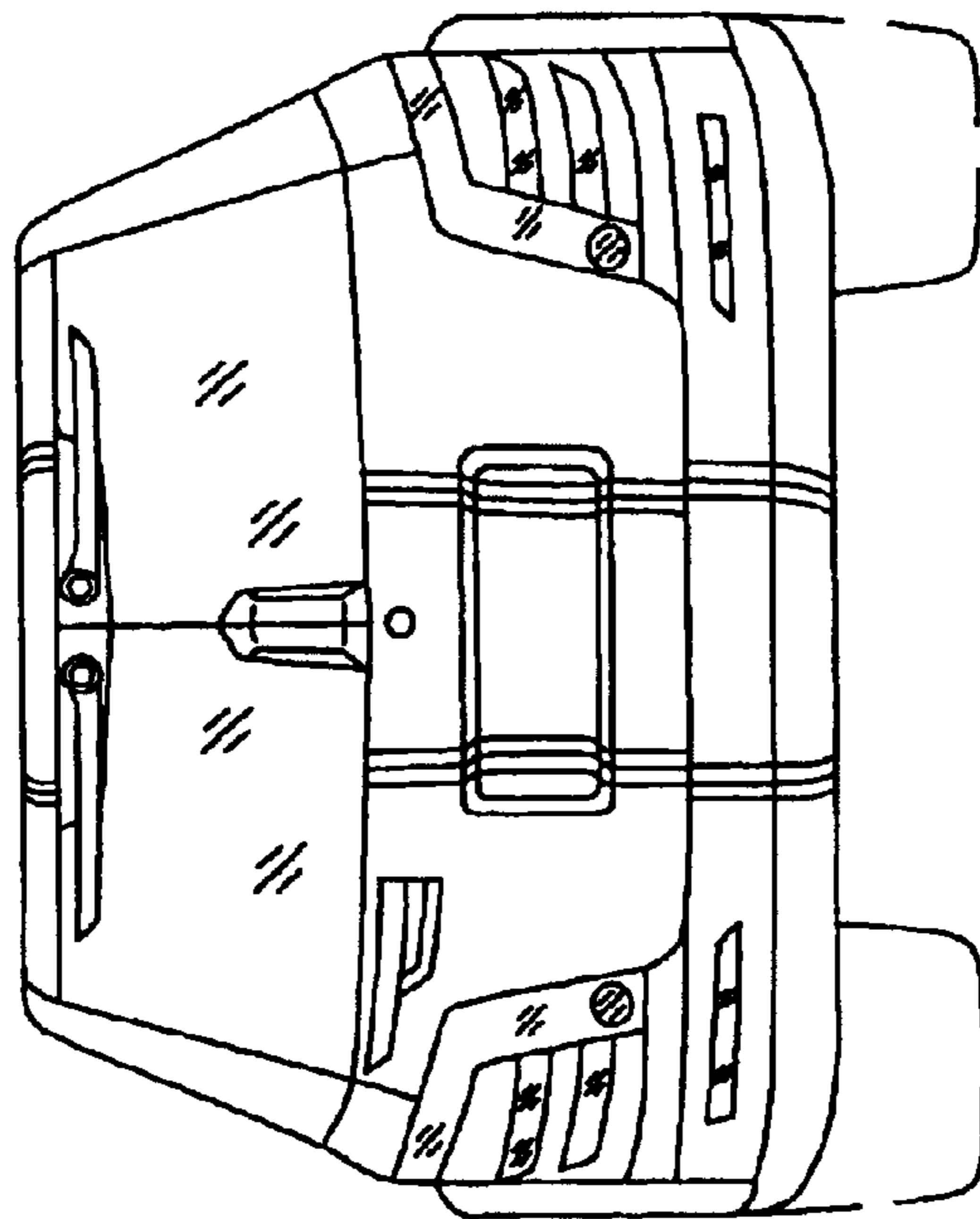


FIG. 4

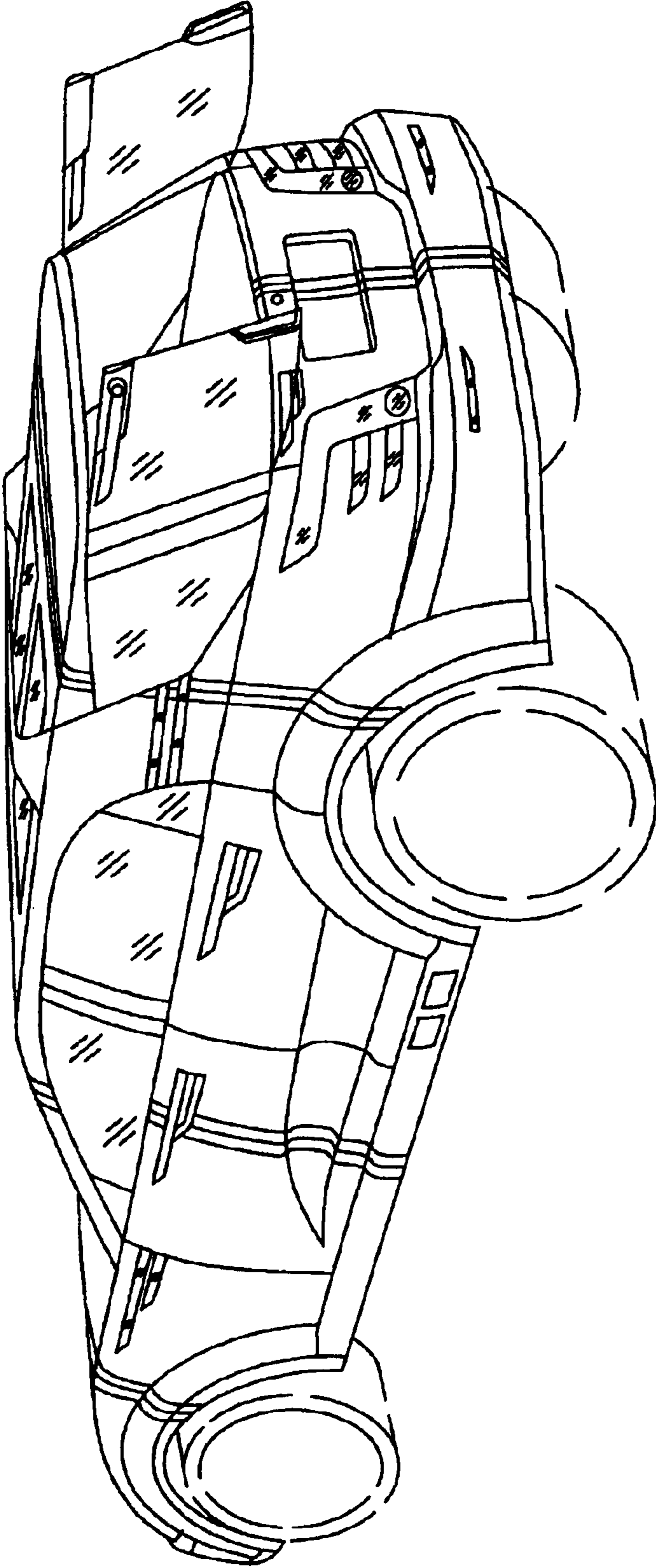


FIG. 6

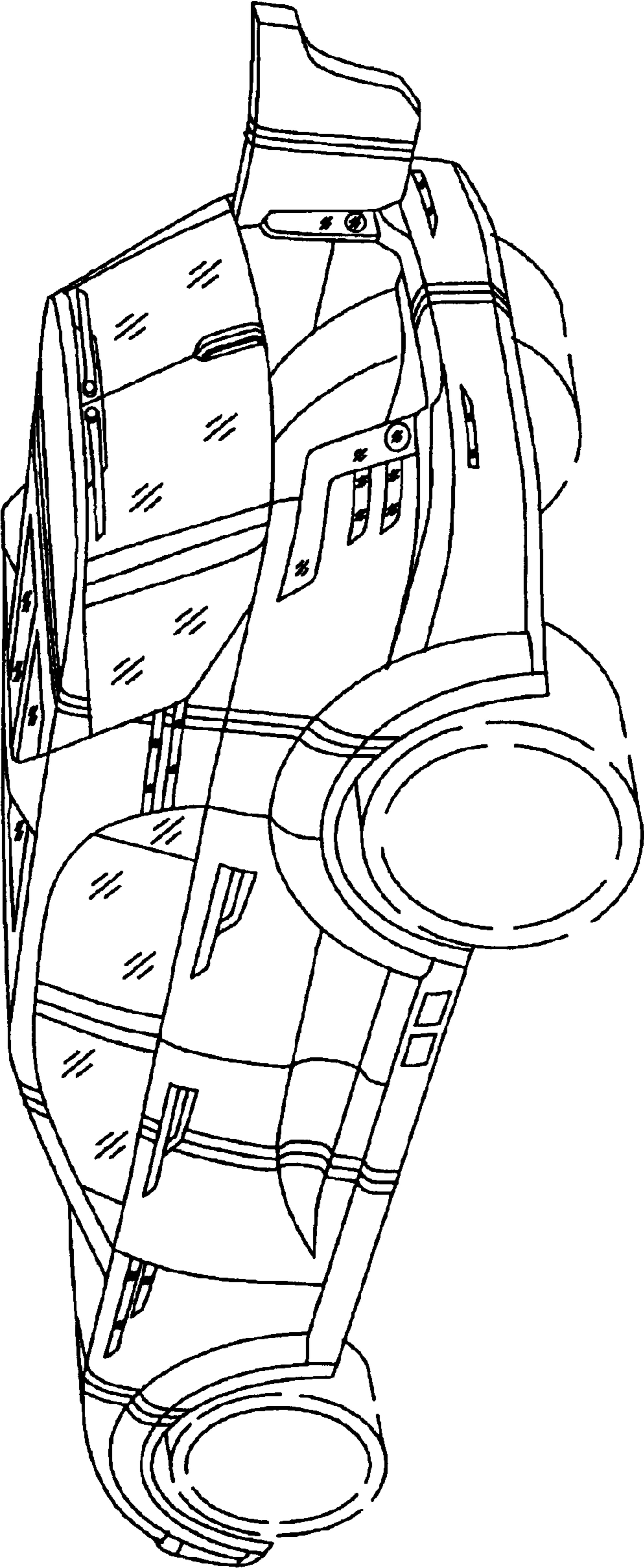


FIG. 7