

US00D494493S1

(12) **United States Design Patent**
Pachachi

(10) **Patent No.: US D494,493 S**

(45) **Date of Patent: ** Aug. 17, 2004**

(54) **RING**

D254,606 S * 4/1980 Abelson D11/34
D475,648 S * 6/2003 Schlieger D11/26

(75) Inventor: **Reema Pachachi**, London (GB)

* cited by examiner

(73) Assignee: **De Beers LV Ltd.**, London (GB)

Primary Examiner—Catherine R. Oliver
(74) *Attorney, Agent, or Firm*—Clifford W. Browning;
Woodard, Emhardt, Moriarty, McNett & Henry LLP

(**) Term: **14 Years**

(21) Appl. No.: **29/170,781**

(57) **CLAIM**

(22) Filed: **Nov. 12, 2002**

The ornamental design for a ring, as shown and described.

(51) **LOC (7) Cl.** **11-01**

DESCRIPTION

(52) **U.S. Cl.** **D11/26**

(58) **Field of Search** D11/26-40, 200,
D11/201; 63/15, 15.1-15.8, 26-28, 3

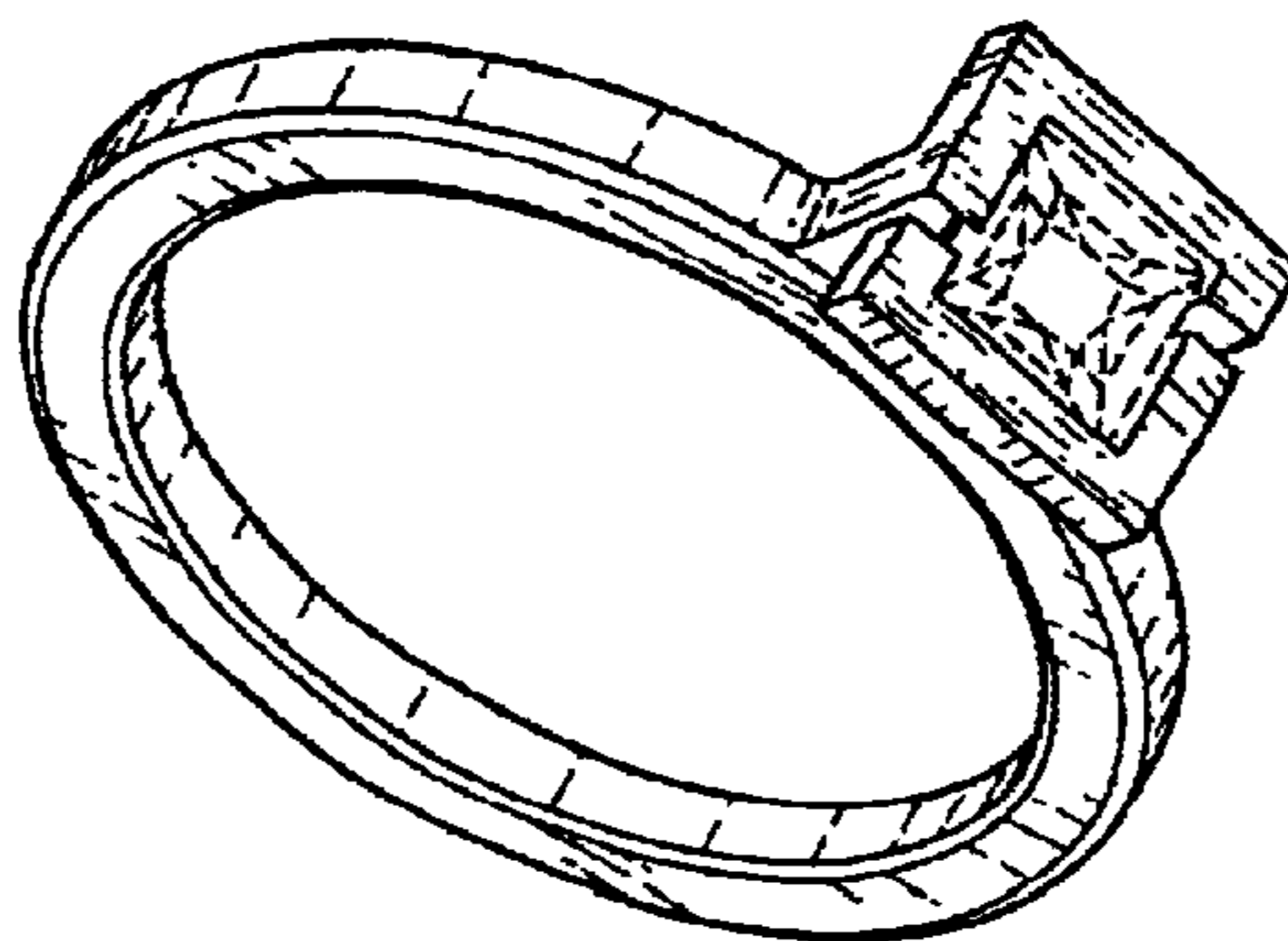
FIG. 1 is a front view of a ring, showing my new design.
FIG. 2 is a rear view of FIG. 1.
FIG. 3 is a top view of FIG. 1.
FIG. 4 is a bottom view of FIG. 1.
FIG. 5 is a right side view of FIG. 1.
FIG. 6 is a left side view of FIG. 1; and,
FIG. 7 is a perspective view of FIG. 1.

(56) **References Cited**

U.S. PATENT DOCUMENTS

2,084,008 A * 6/1937 Shields 63/15
D170,241 S * 8/1953 Robbins D11/201
D254,537 S * 3/1980 Abelson D11/34

1 Claim, 1 Drawing Sheet



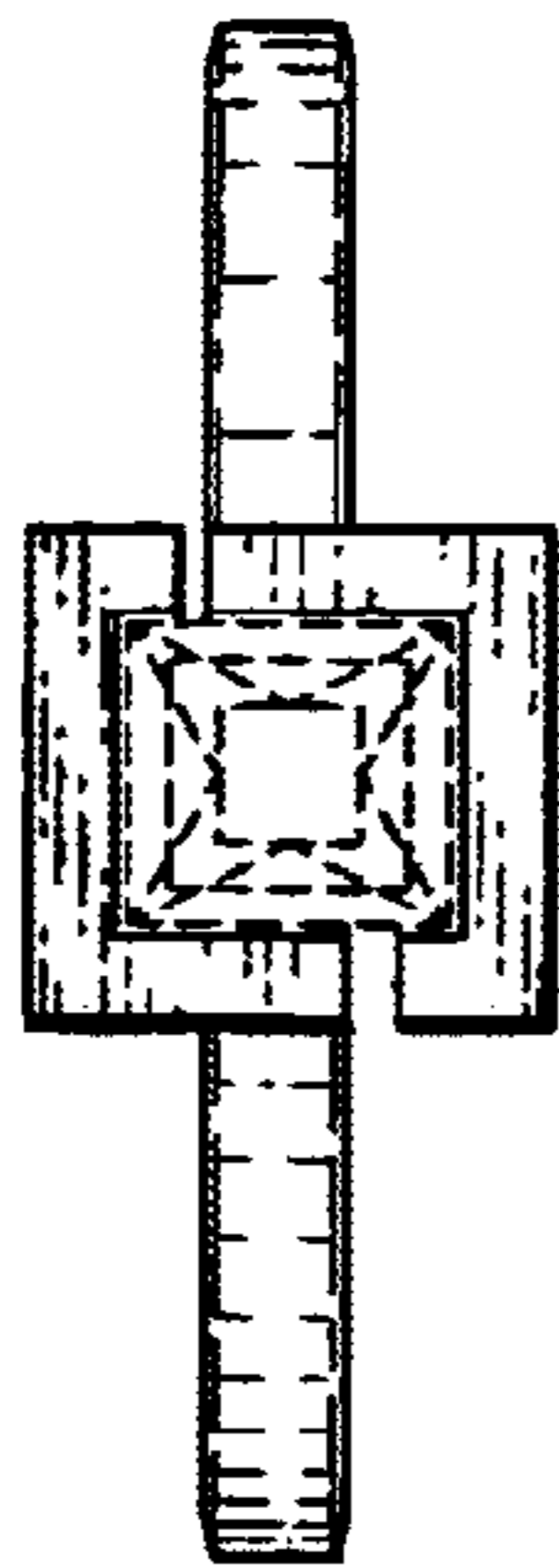


Fig. 1

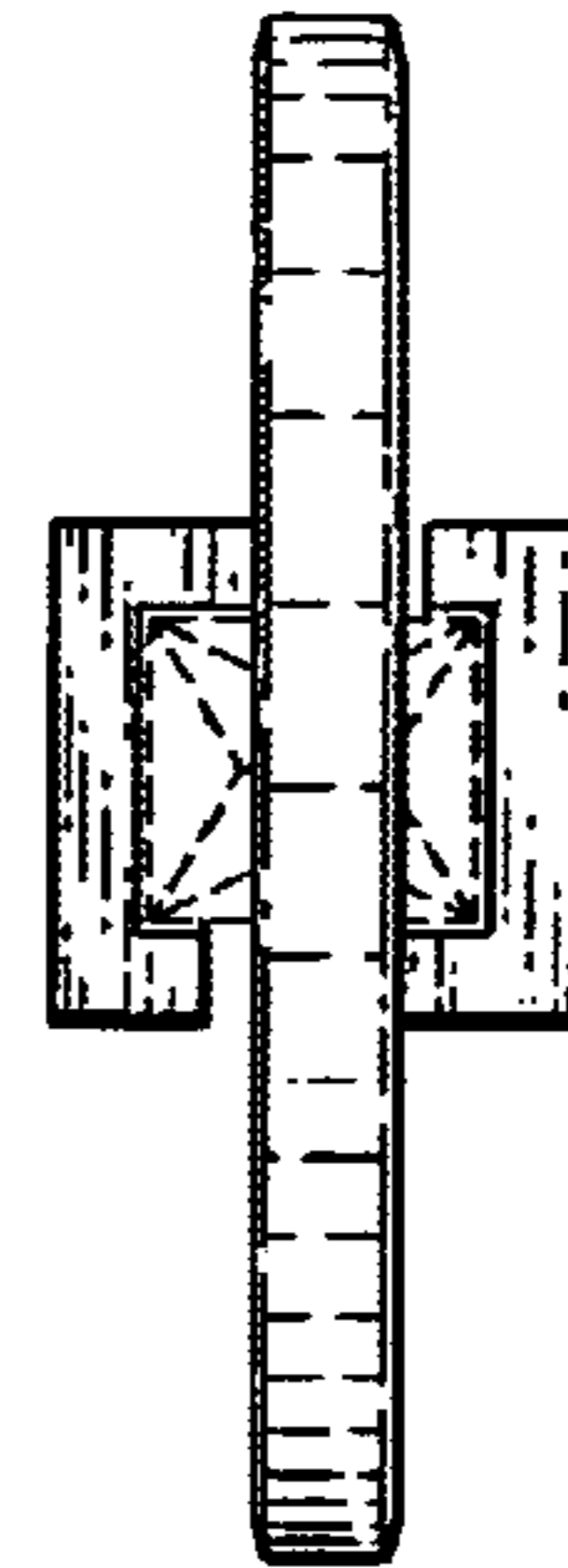


Fig. 2

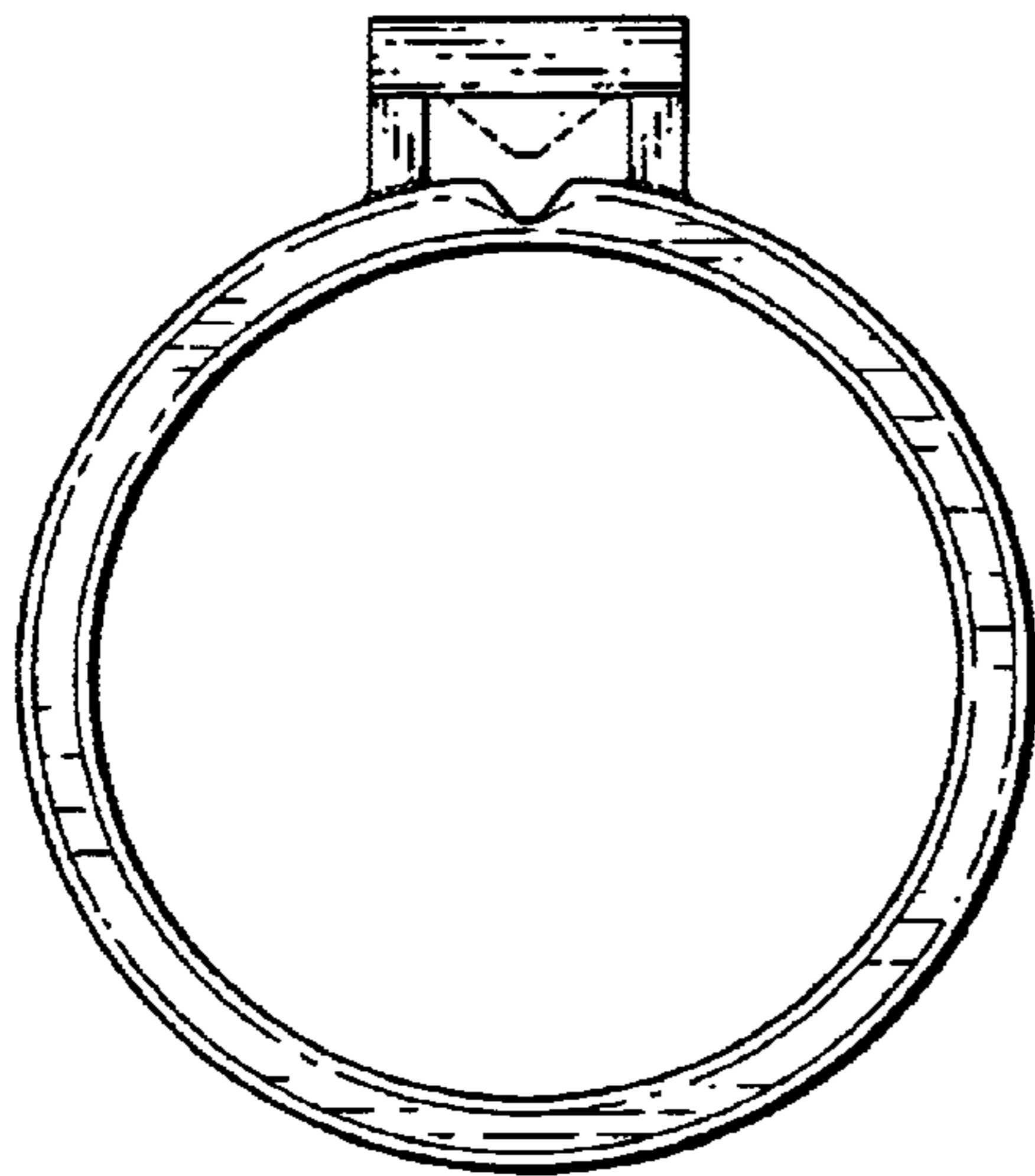


Fig. 3

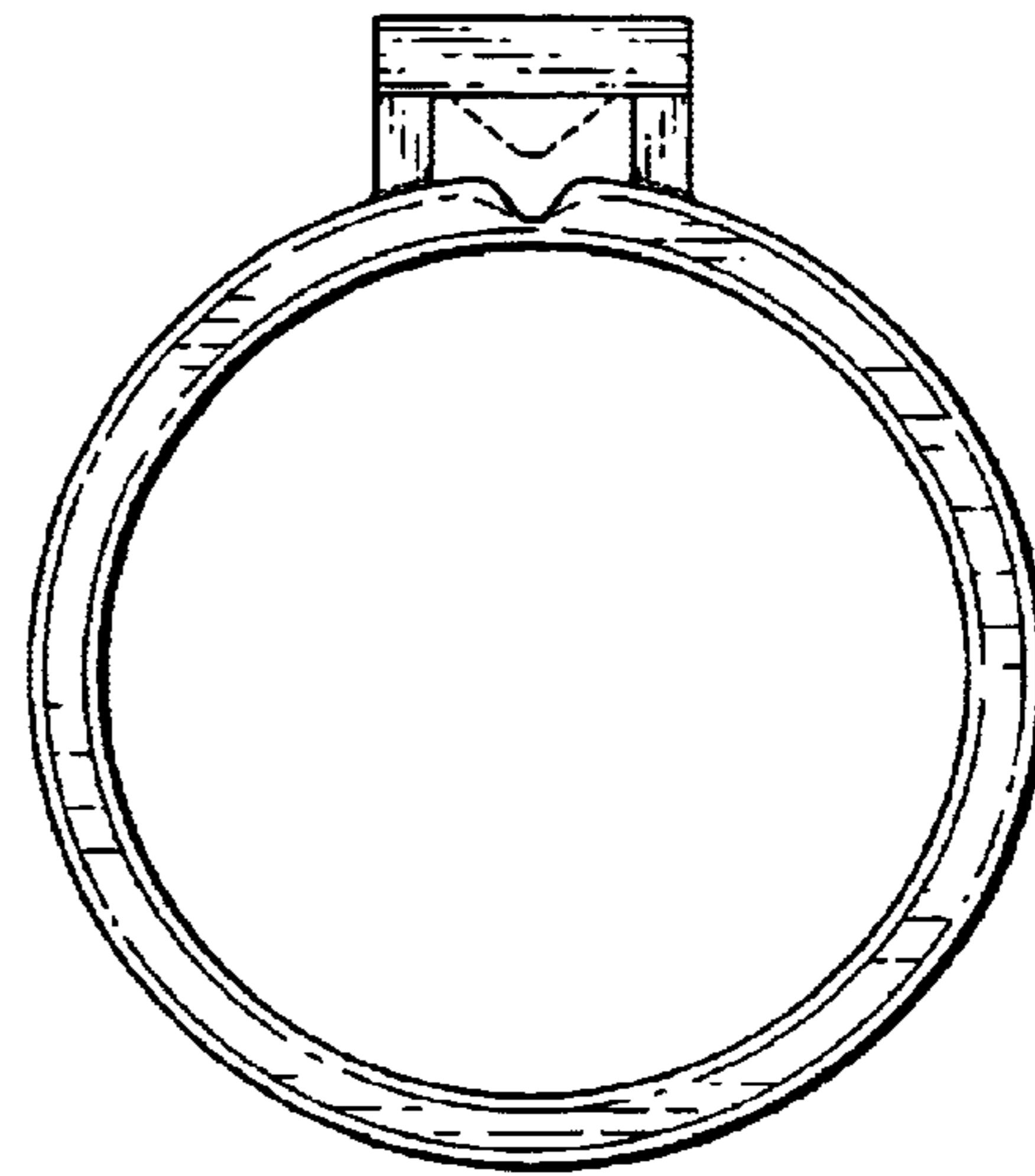


Fig. 4

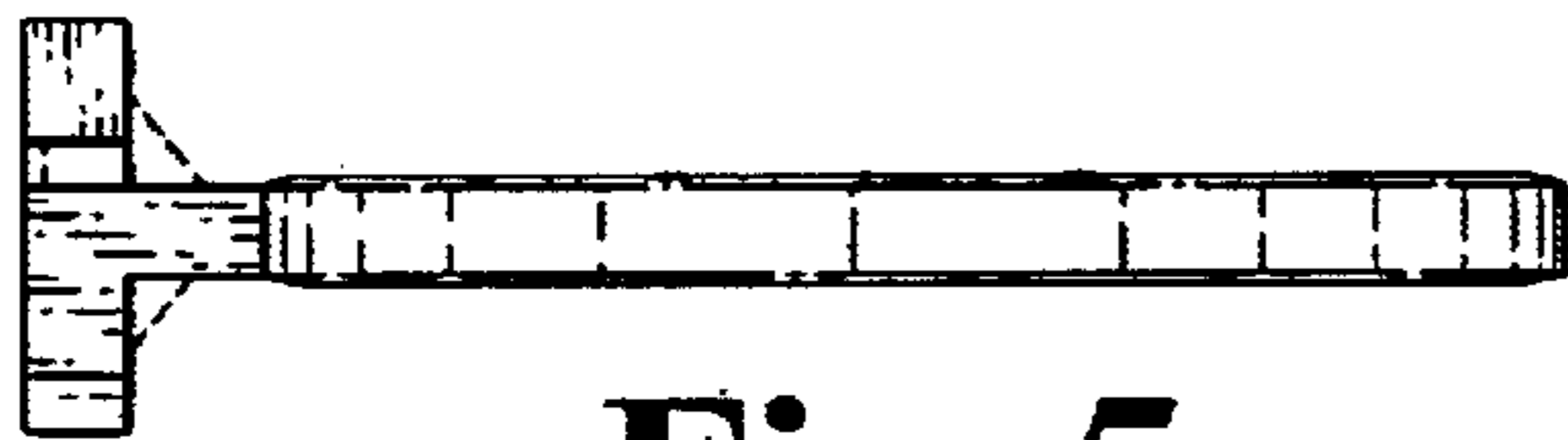


Fig. 5

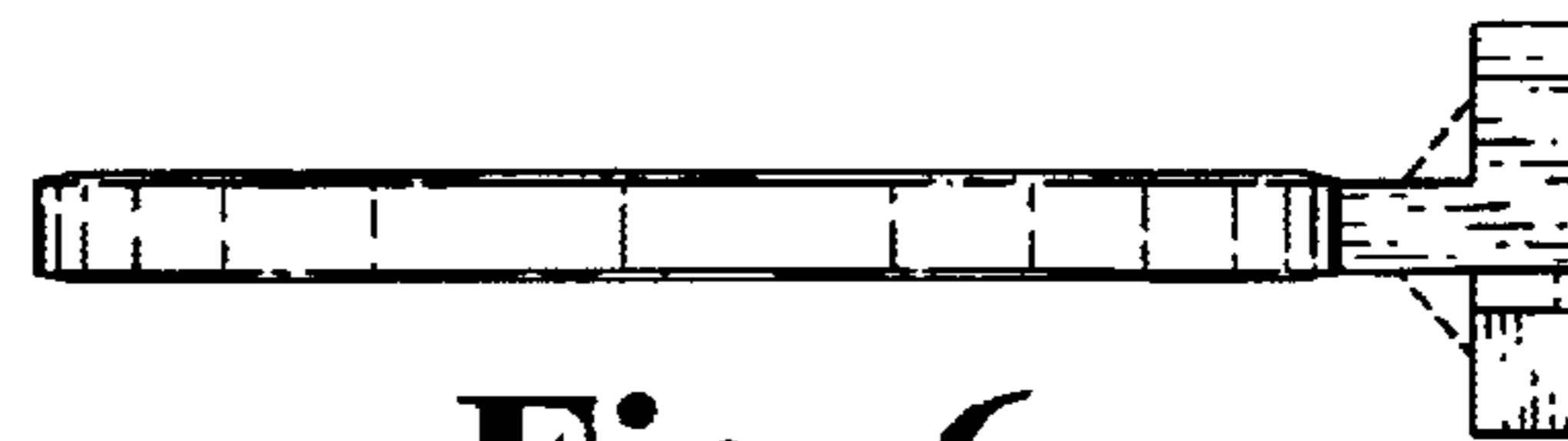


Fig. 6

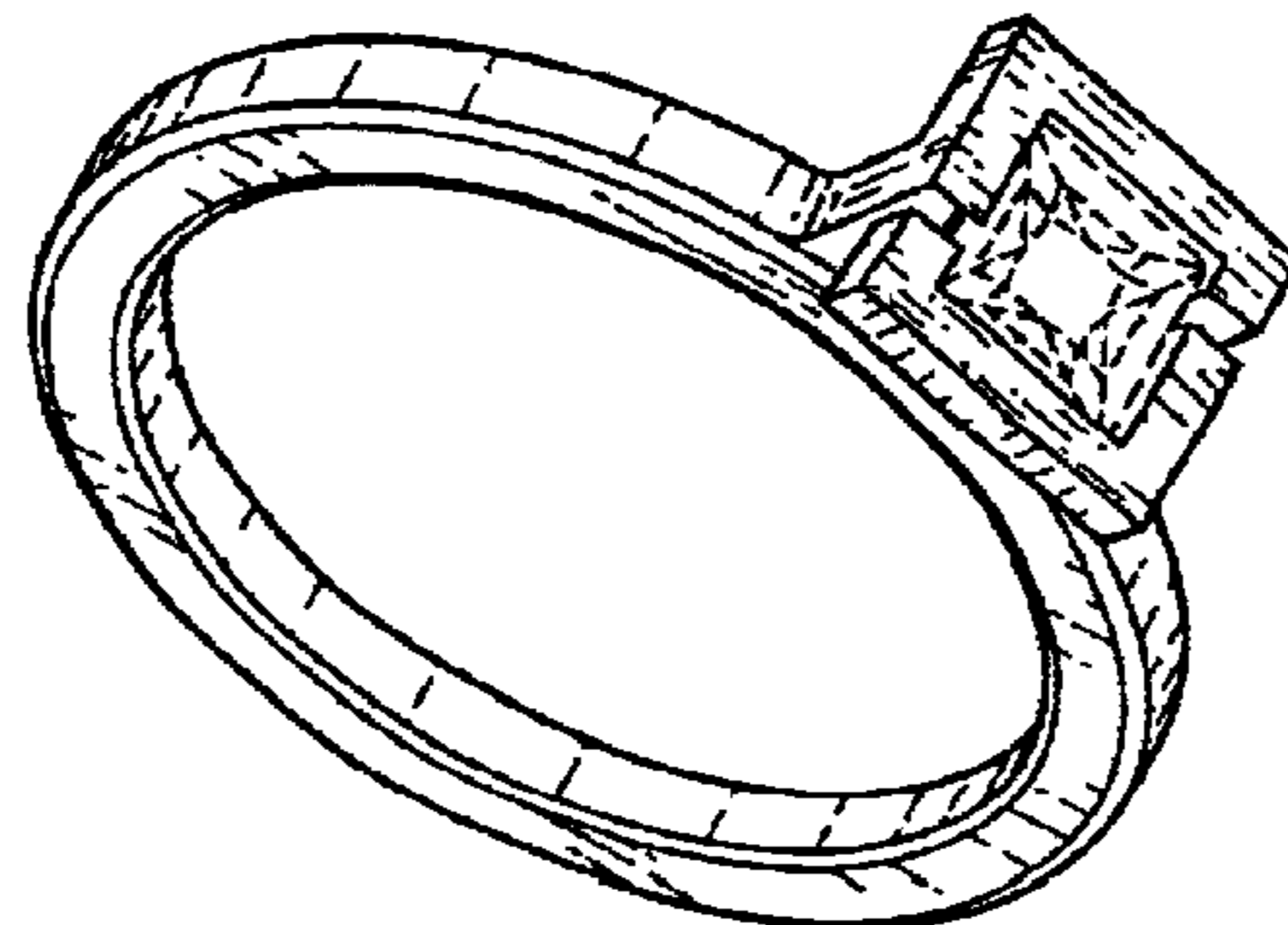


Fig 7