

US00D494484S1

(12) **United States Design Patent** (10) **Patent No.:** **US D494,484 S**
Bhavnani (45) **Date of Patent:** **** Aug. 17, 2004**

(54) **PEDOMETER**

(75) Inventor: **Dilip Bhavnani**, Beverly Hills, CA (US)

(73) Assignee: **Sun Coast Merchandise Corp.**, Commerce, CA (US)

(**) Term: **14 Years**

(21) Appl. No.: **29/196,289**

(22) Filed: **Dec. 23, 2003**

(51) **LOC (7) Cl.** **10-04**

(52) **U.S. Cl.** **D10/70; D10/97; D10/98**

(58) **Field of Search** **D10/70, 98, 97; 235/95 C, 105; 377/24.2; 702/160; 482/3**

(56) **References Cited**

U.S. PATENT DOCUMENTS

4,322,609	A	*	3/1982	Kato	235/105
D312,046	S	*	11/1990	Ruehleemann	D10/70
D312,049	S	*	11/1990	Ruehleemann	D10/70
D334,721	S	*	4/1993	Katz	D10/98
D337,731	S	*	7/1993	Reiner et al.	D10/98
D375,695	S	*	11/1996	Narai	D10/97
6,493,652	B1	*	12/2002	Ohlenbusch et al.	702/160
6,536,139	B2	*	3/2003	Darley et al.	36/136
6,674,832	B2	*	1/2004	Yusa	377/24.2

OTHER PUBLICATIONS

Hong Kong Enterprise, Jul., 1988, p. 316, pedometers.*
Oregon Scientific, 2001, p. 35, pedometers.*

* cited by examiner

Primary Examiner—Lucy Lieberman

(74) *Attorney, Agent, or Firm*—The Soni Law Firm; Michael E. Hoffman

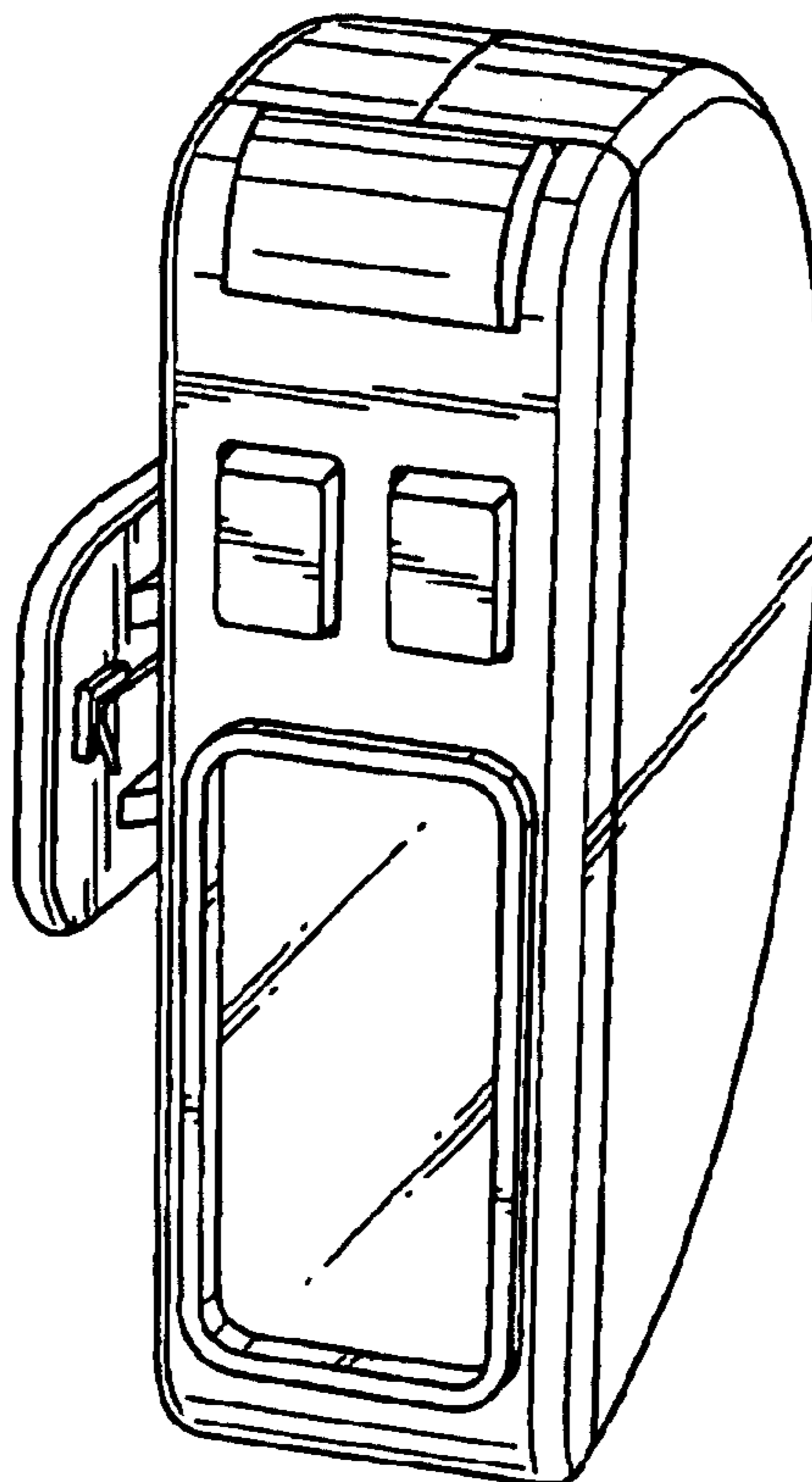
(57) **CLAIM**

The ornamental design for a pedometer, as shown and described.

DESCRIPTION

FIG. 1 is a perspective view of a pedometer;
 FIG. 2 is a front elevational view of the pedometer of FIG. 1;
 FIG. 3 is a right side elevational view of the pedometer of FIG. 1;
 FIG. 4 is a left side elevational view of the pedometer of FIG. 1;
 FIG. 5 is a top plan view of the pedometer of FIG. 1;
 FIG. 6 is a bottom plan view of the pedometer of FIG. 1;
 and,
 FIG. 7 is a rear elevational view of the pedometer of FIG. 1.

1 Claim, 2 Drawing Sheets



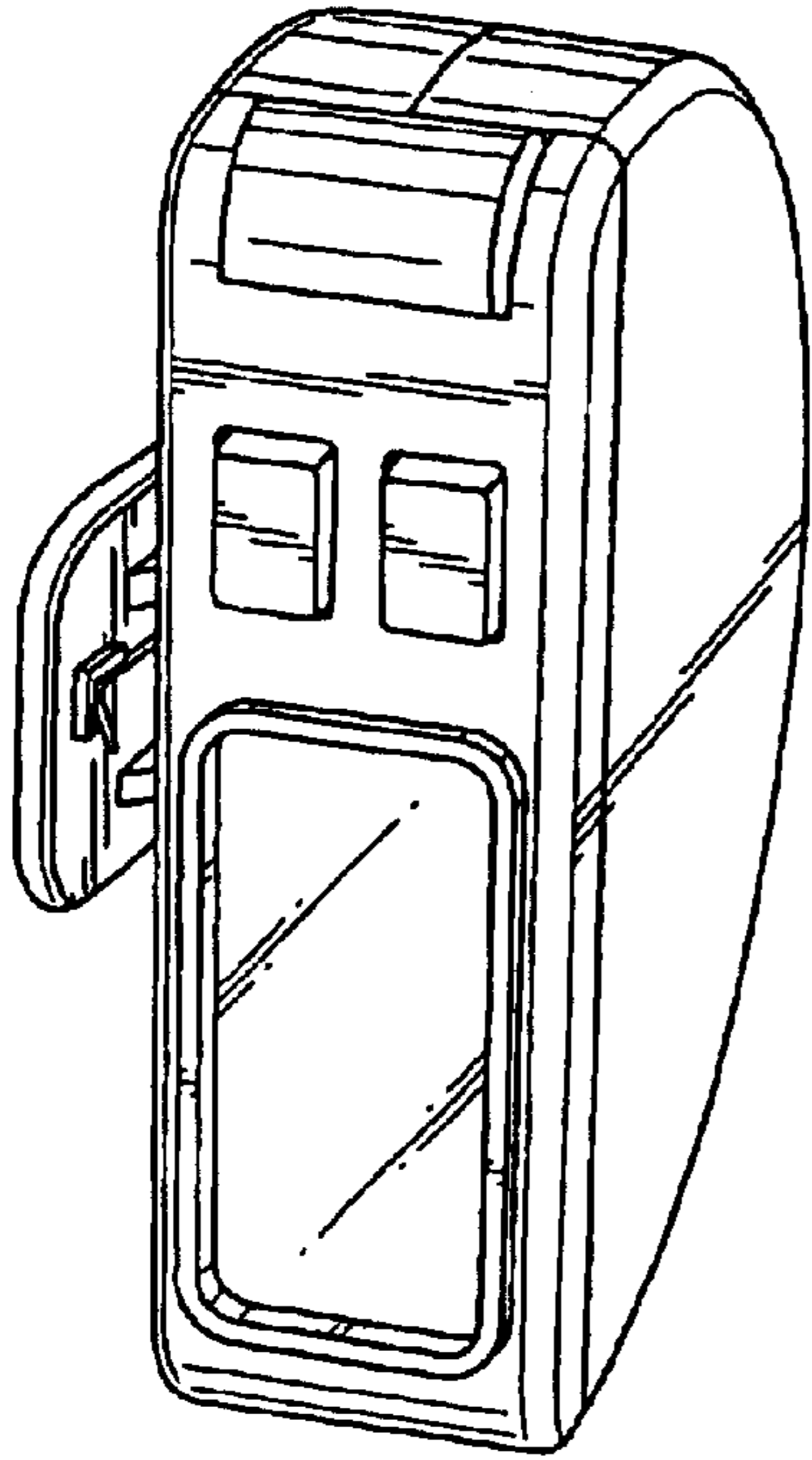


FIG. 1

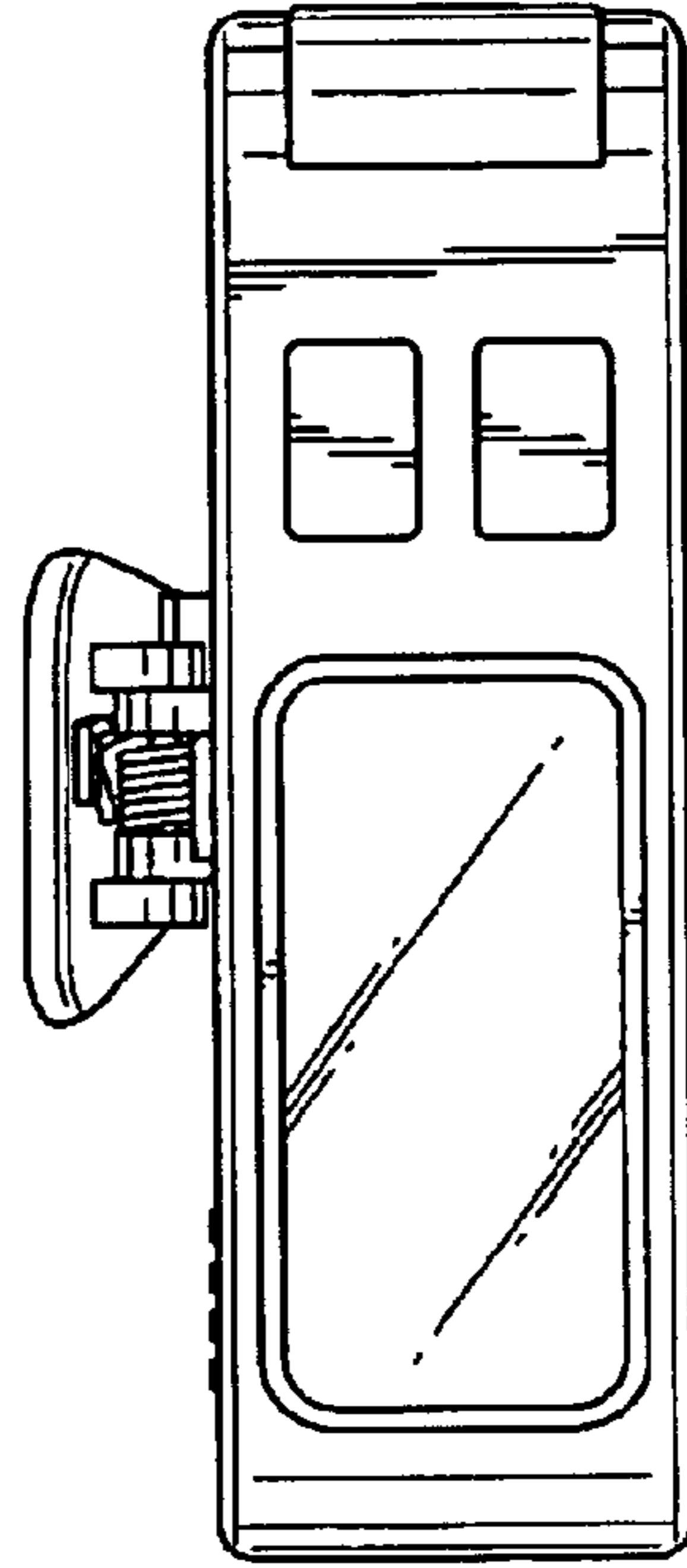


FIG. 2

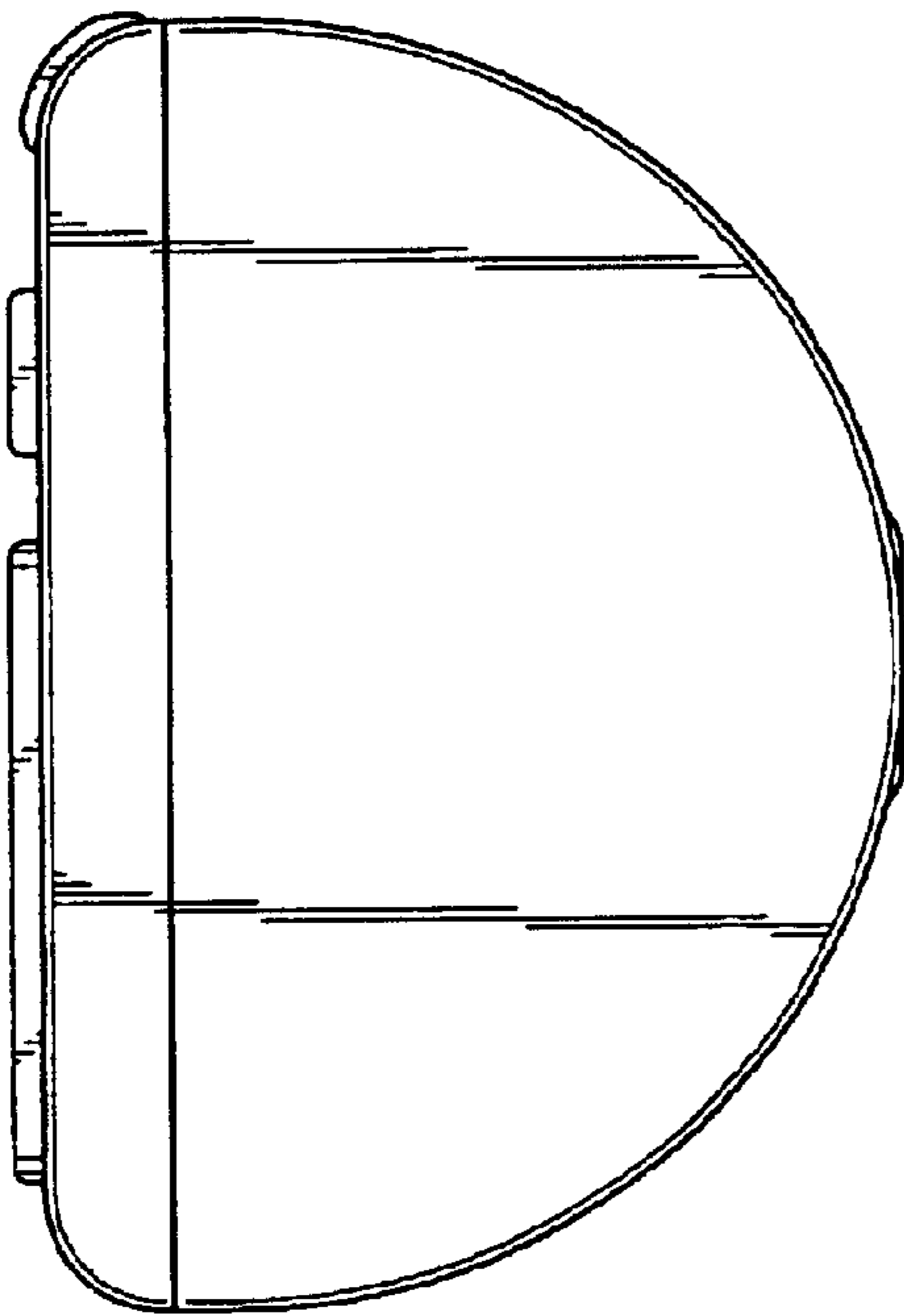


FIG. 3

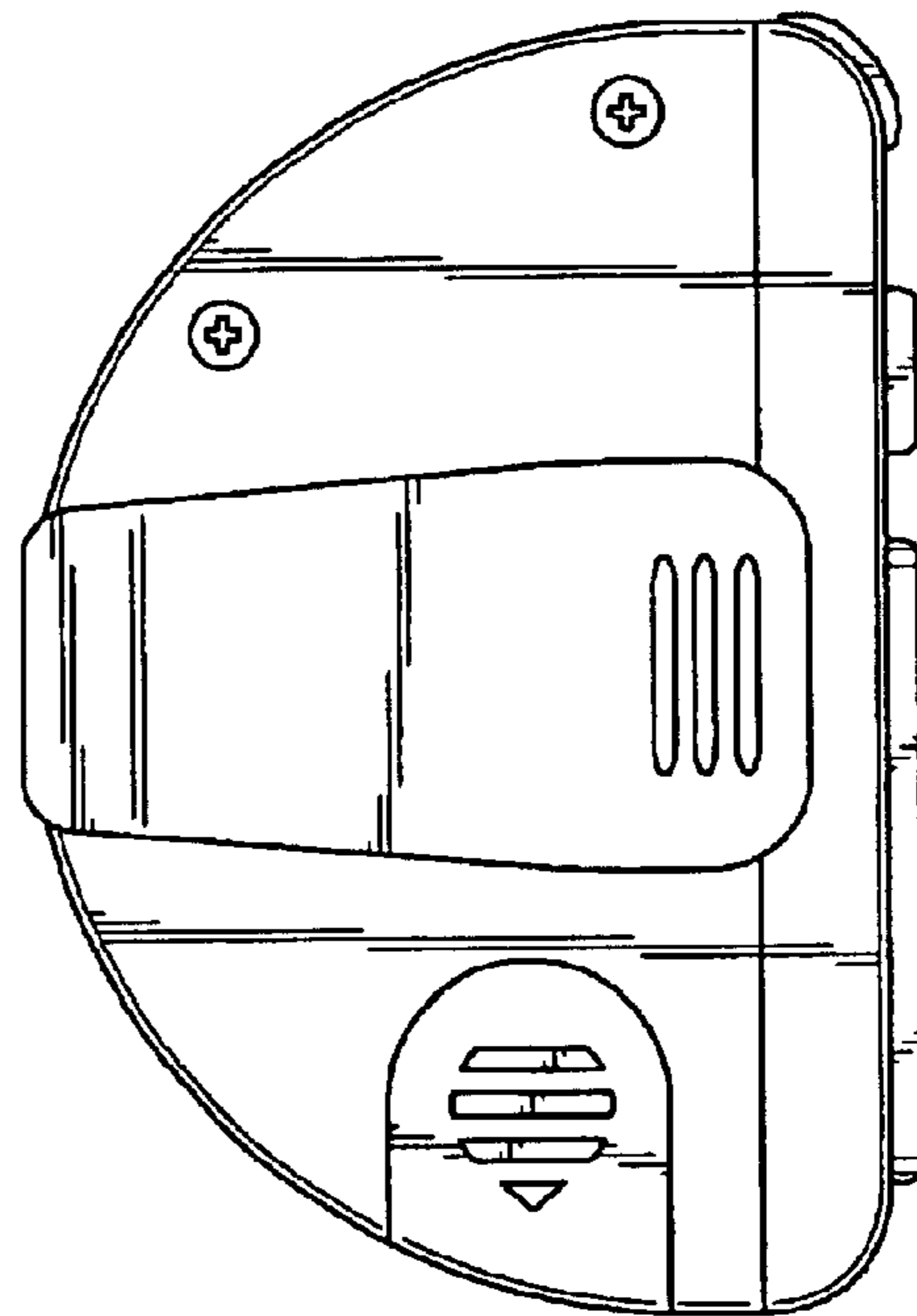


FIG. 4

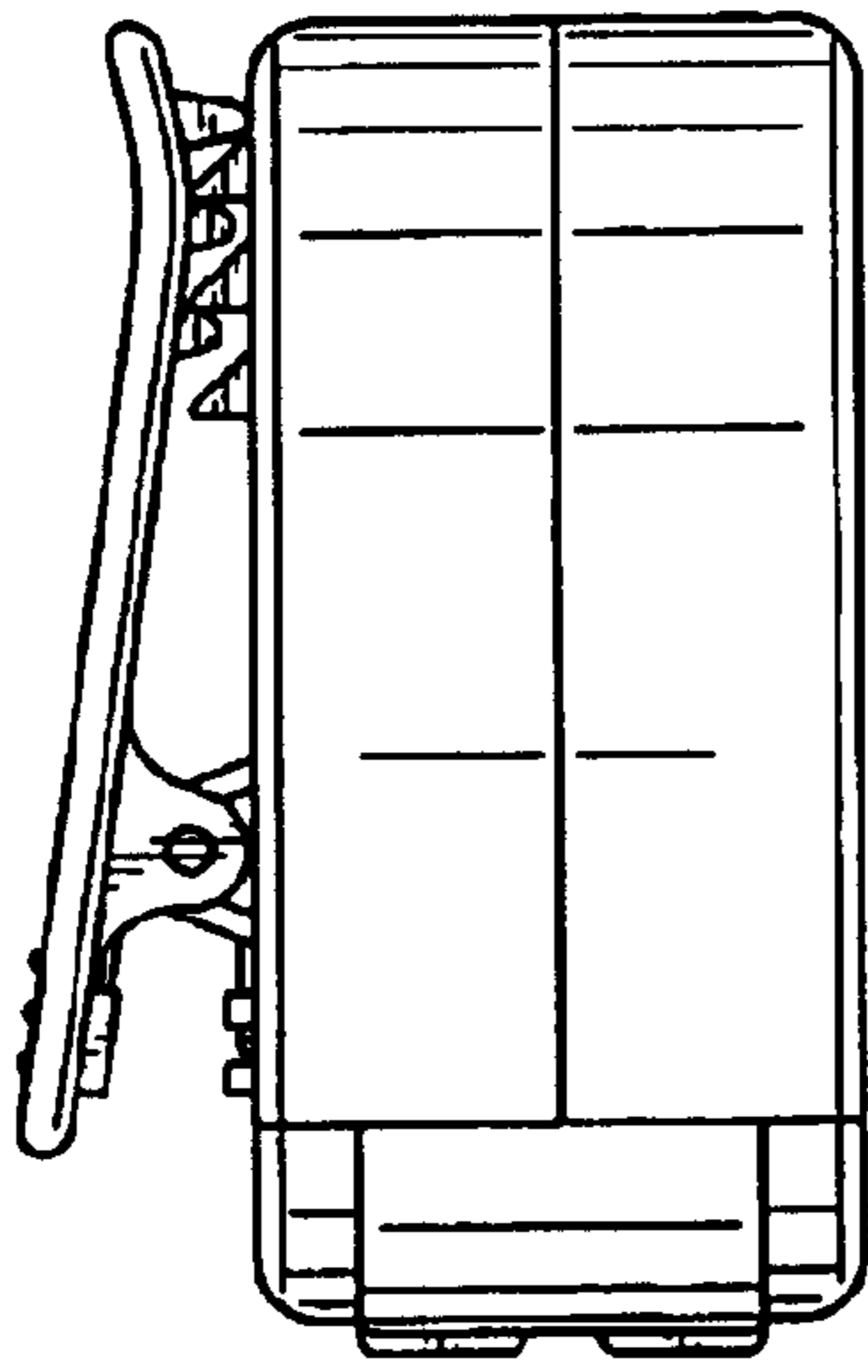


FIG. 5

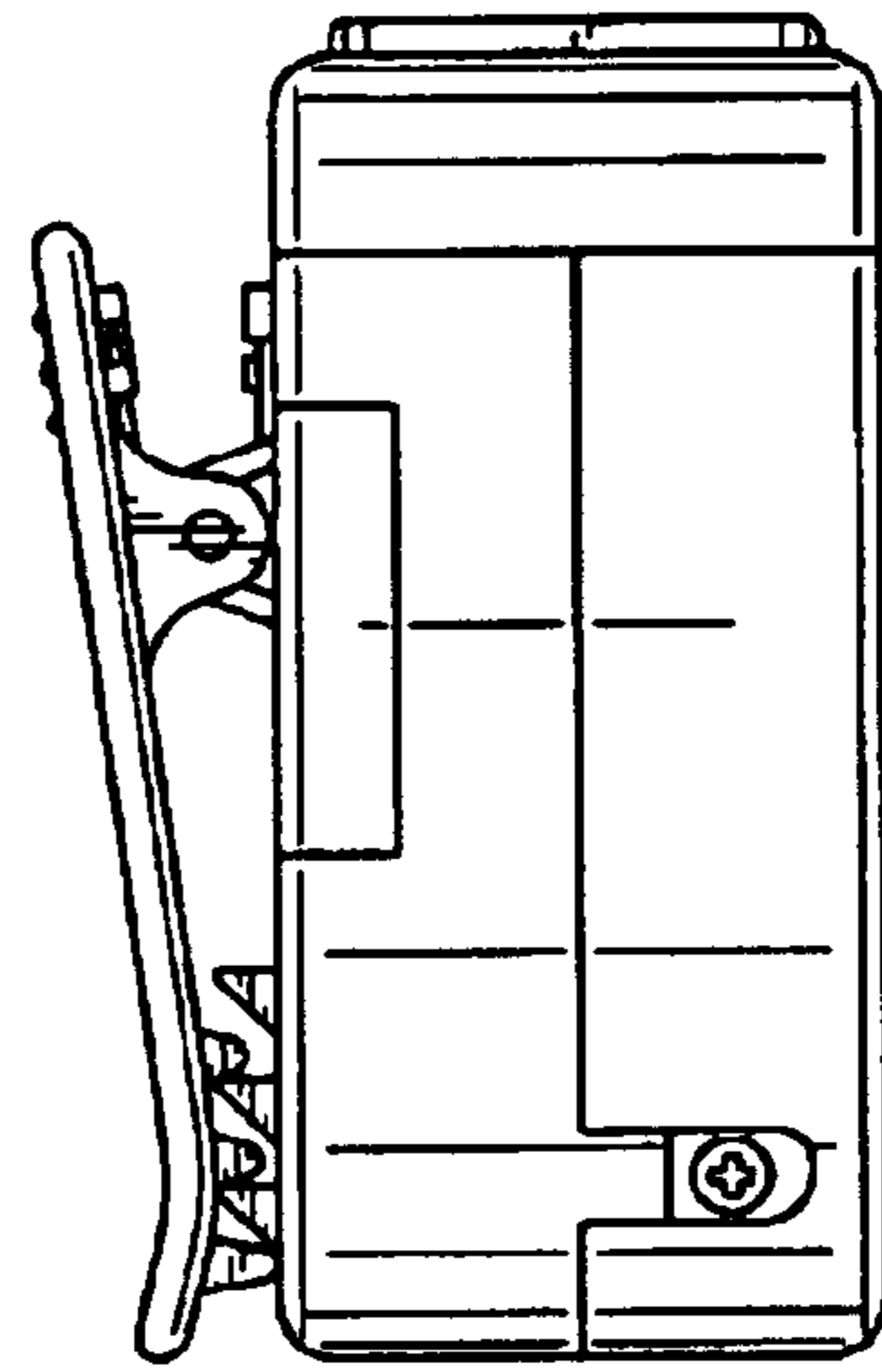


FIG. 6

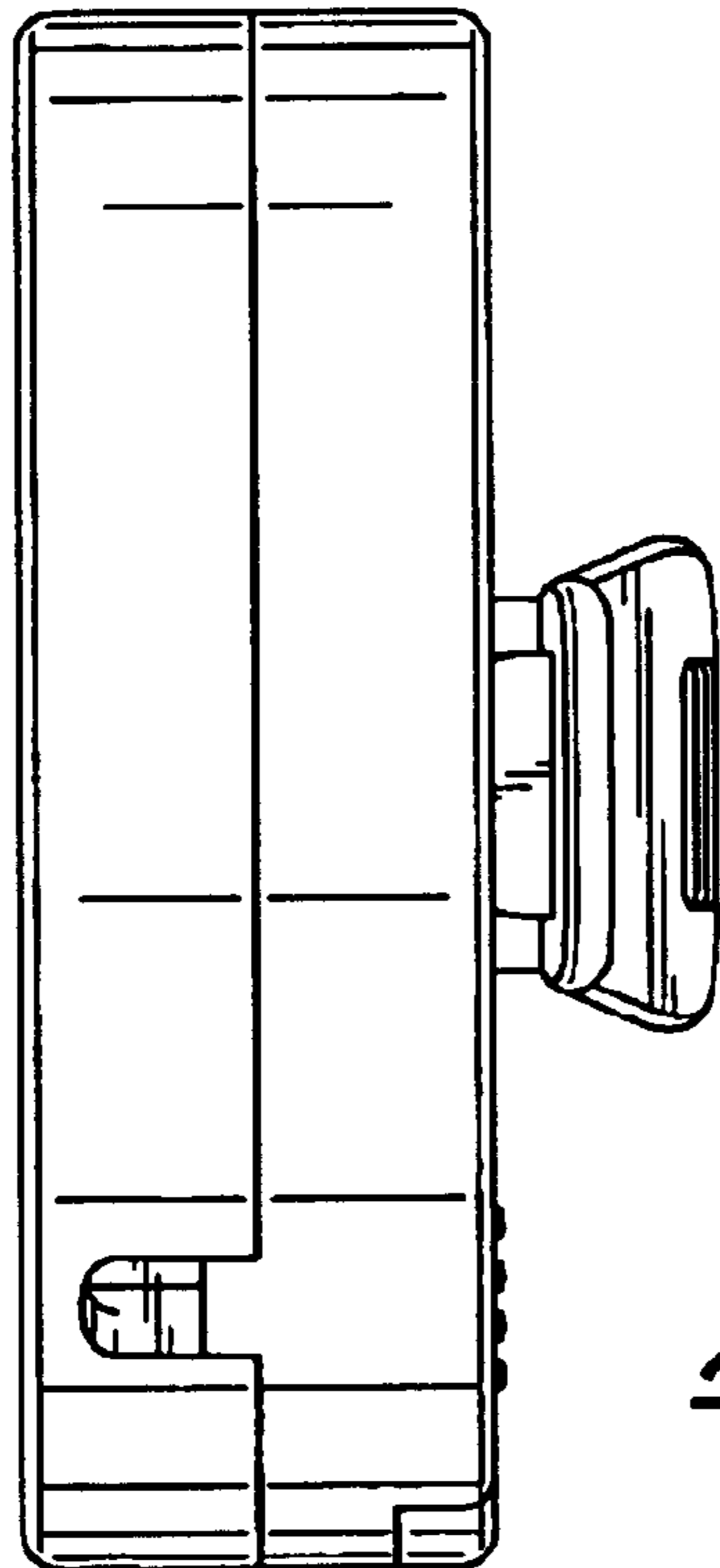


FIG. 7