

US00D494483S1

(12) **United States Design Patent**
Marshall et al.

(10) **Patent No.: US D494,483 S**

(45) **Date of Patent: ** Aug. 17, 2004**

(54) **LASER LEVEL**

3,807,869 A * 4/1974 Hartley 356/250
D474,985 S * 5/2003 Cooper et al. D10/69

(75) Inventors: **James D. Marshall**, Mallorytown (CA);
Oleksiy P. Sergyeyenko, Brockville
(CA); **G. Scott Snider**, Bel Air, MD
(US)

* cited by examiner

Primary Examiner—Lucy Lieberman
(74) *Attorney, Agent, or Firm*—Adan Ayala

(73) Assignee: **Black & Decker Inc.**, Newark, DE
(US)

(57) **CLAIM**

(**) Term: **14 Years**

The ornamental design for a laser level, as shown and described.

(21) Appl. No.: **29/190,028**

DESCRIPTION

(22) Filed: **Sep. 12, 2003**

FIG. 1 is a front and left side perspective view of a laser level showing our new design.

(51) **LOC (7) Cl.** **10-04**

FIG. 2 is a front elevation of the laser level.

(52) **U.S. Cl.** **D10/69**

FIG. 3 is a rear elevation of the laser level.

(58) **Field of Search** D10/69, 65, 74;

FIG. 4 is a left side elevation of the laser level.

33/285, 286, 290, 291, 292, 348, 348.2,
379–383; 356/247, 248, 249, 250, 138

FIG. 5 is a right side elevation of the laser level.

FIG. 6 is a top plan view of the laser level; and,

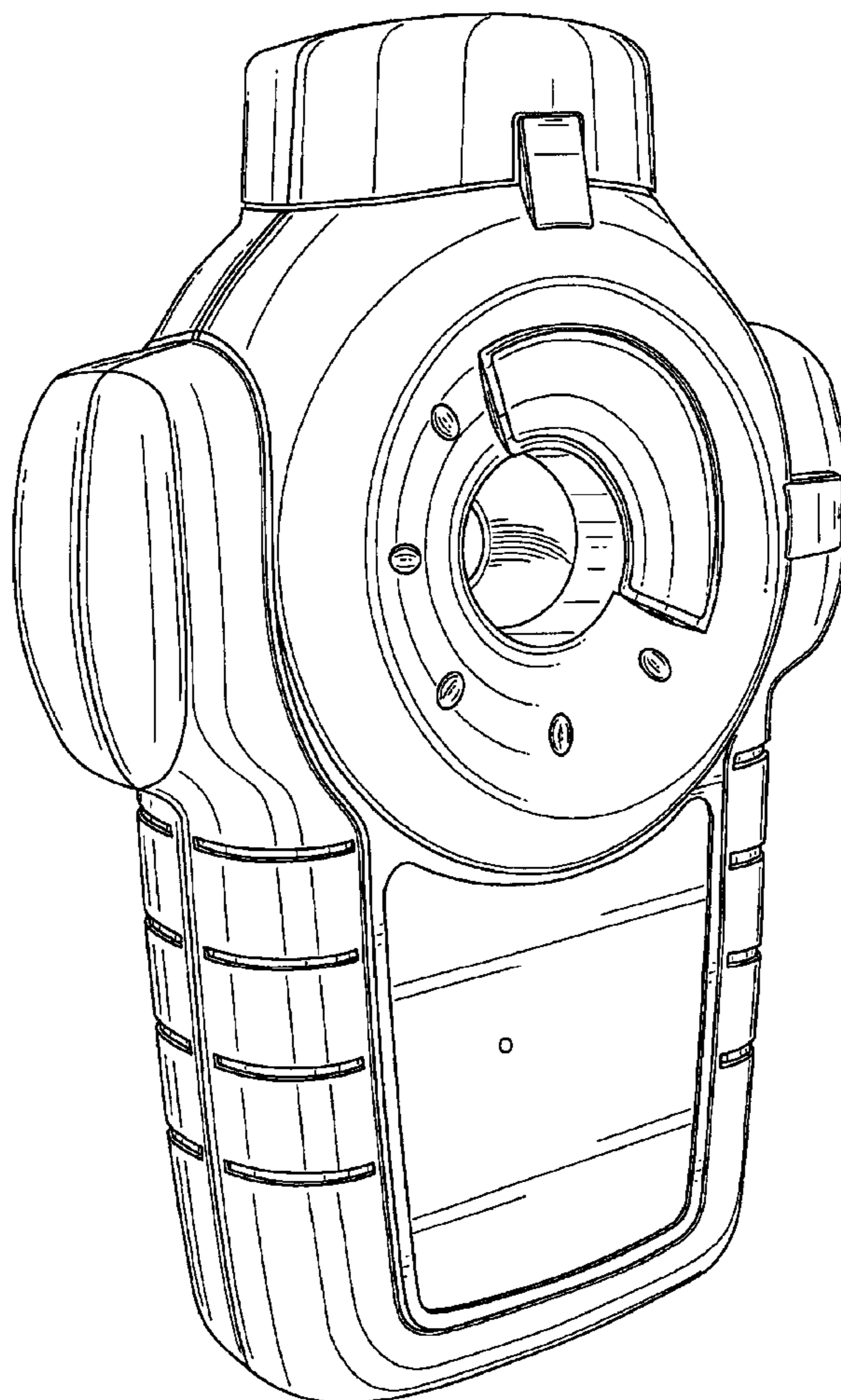
FIG. 7 is a bottom plan view of the laser level.

(56) **References Cited**

U.S. PATENT DOCUMENTS

3,663,111 A * 5/1972 Tsuda et al. 33/291

1 Claim, 6 Drawing Sheets



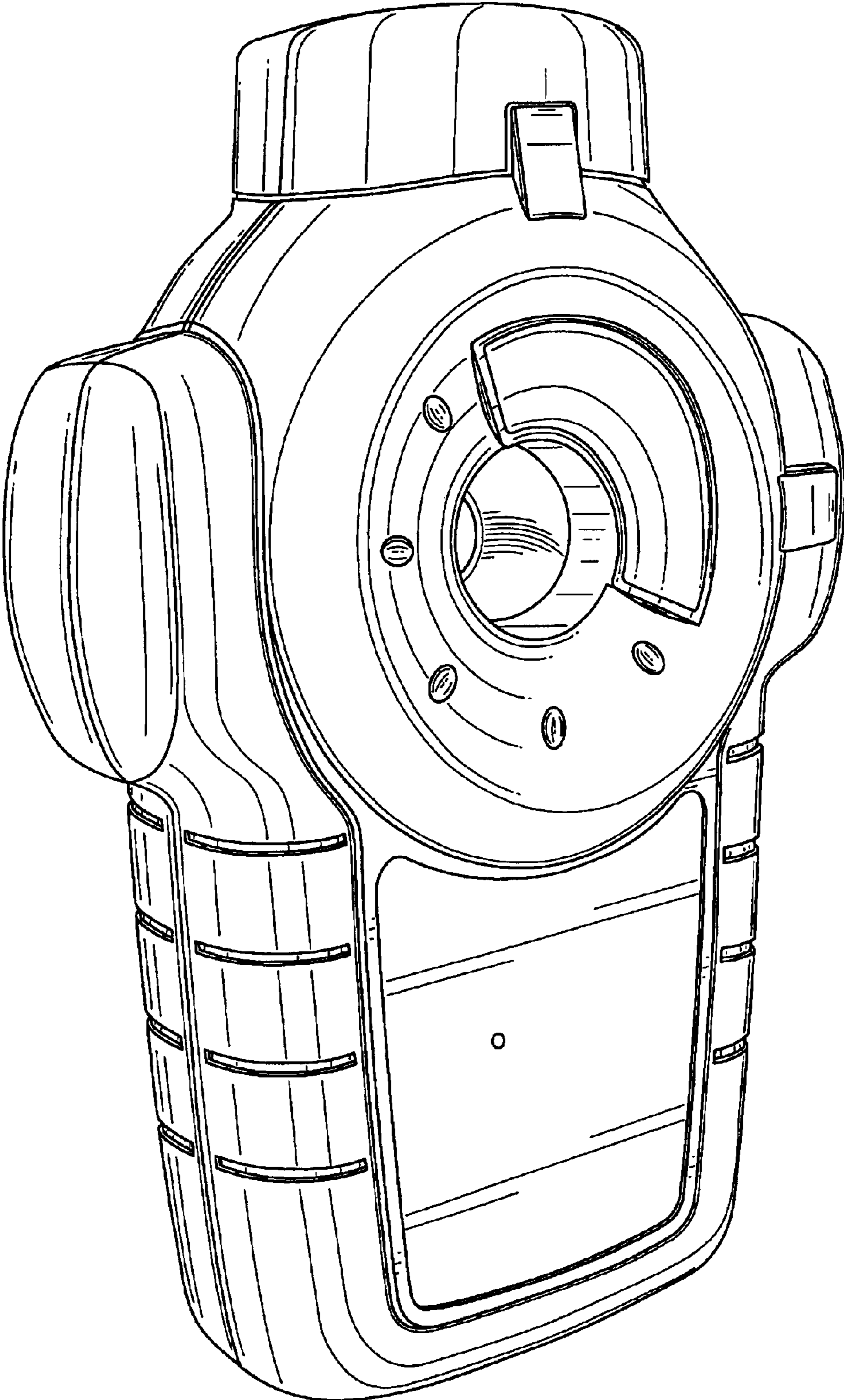


FIG. 1

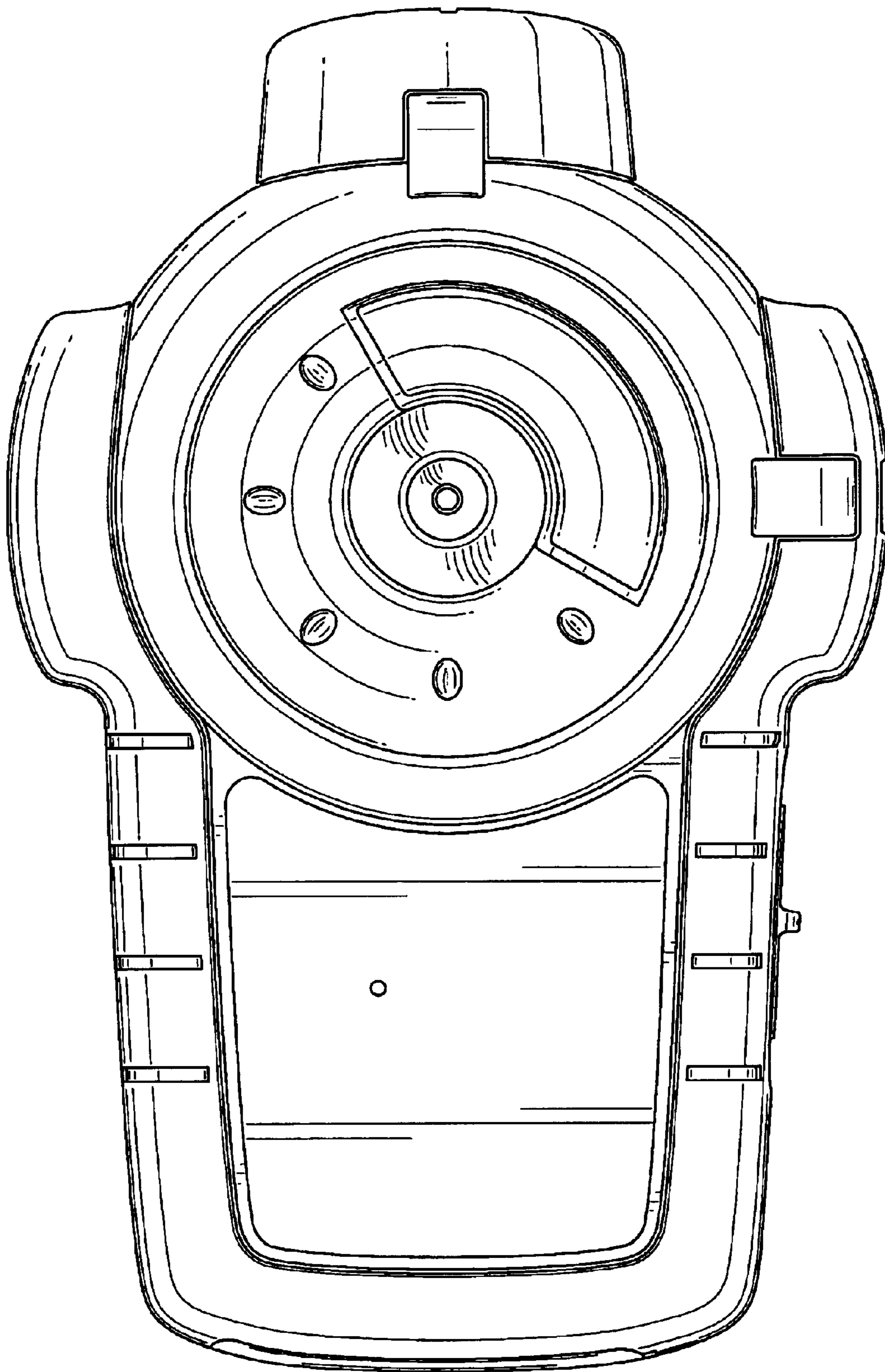


FIG. 2

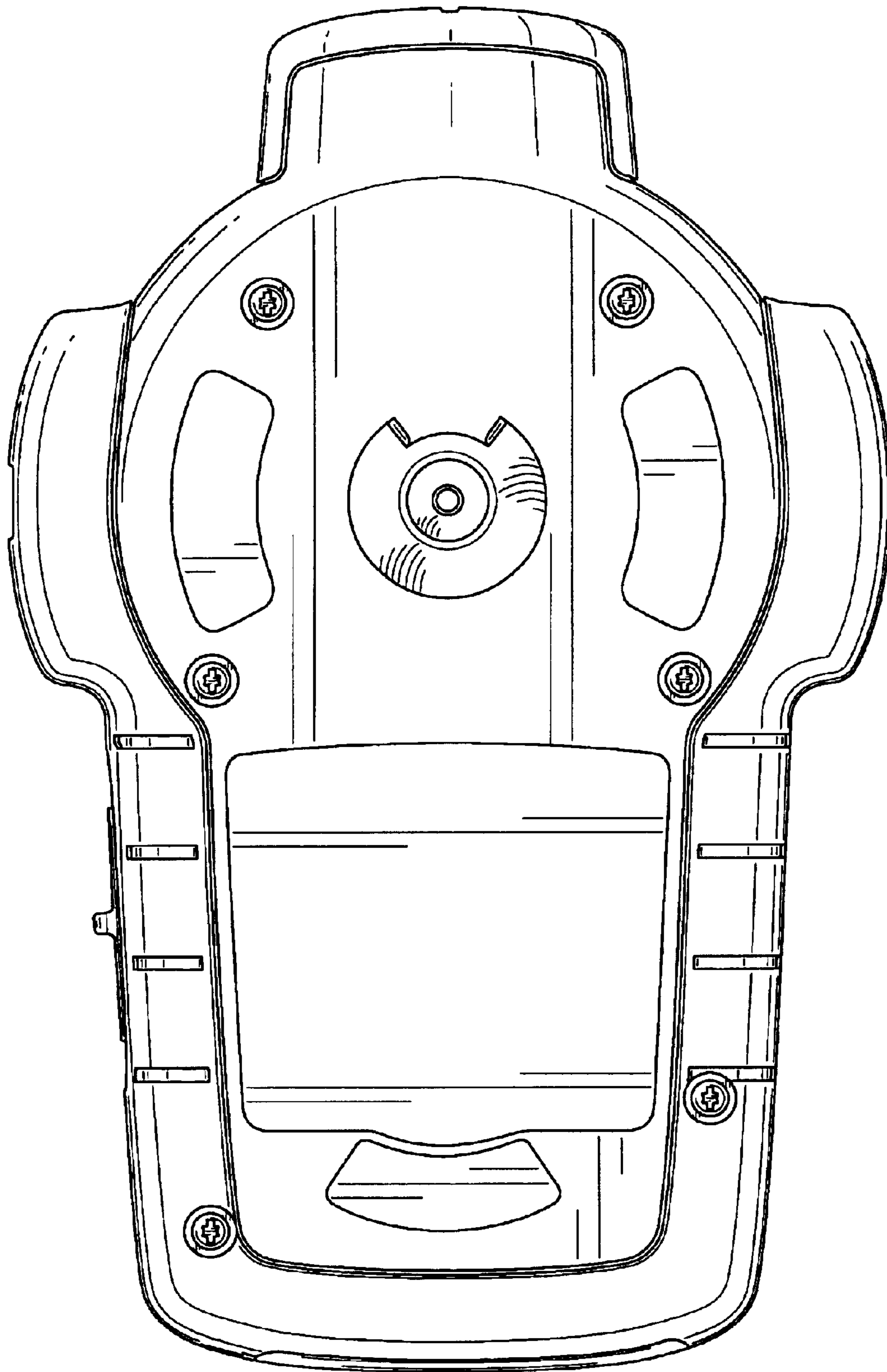


FIG. 3

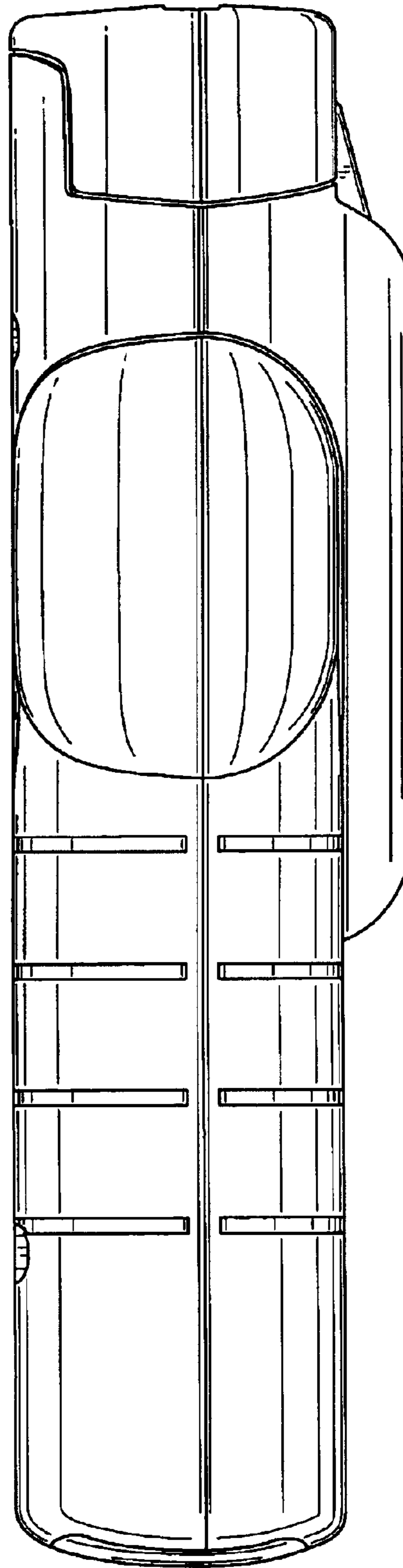


FIG. 4

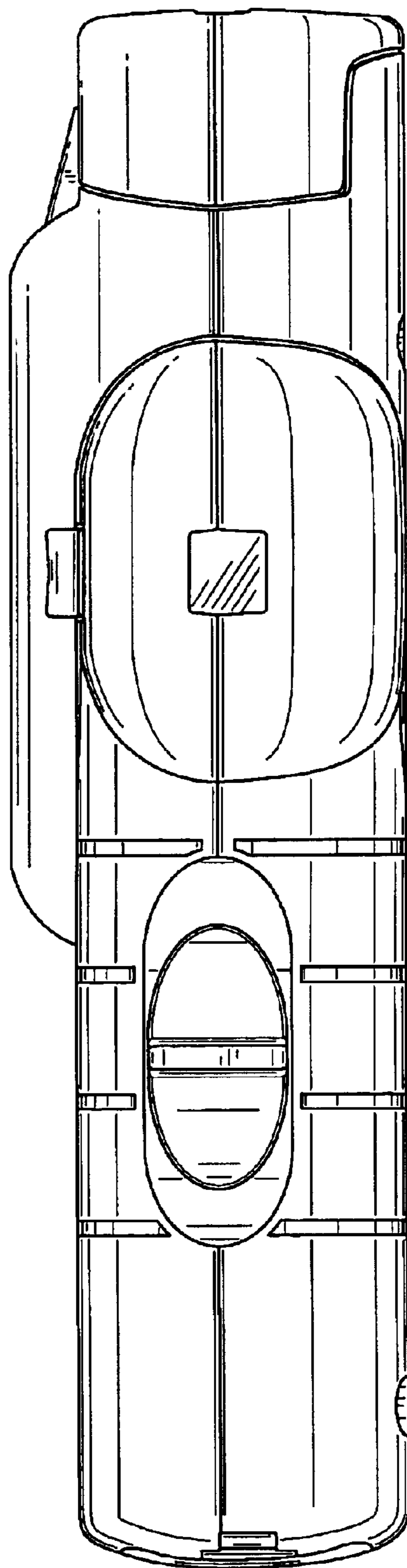


FIG. 5

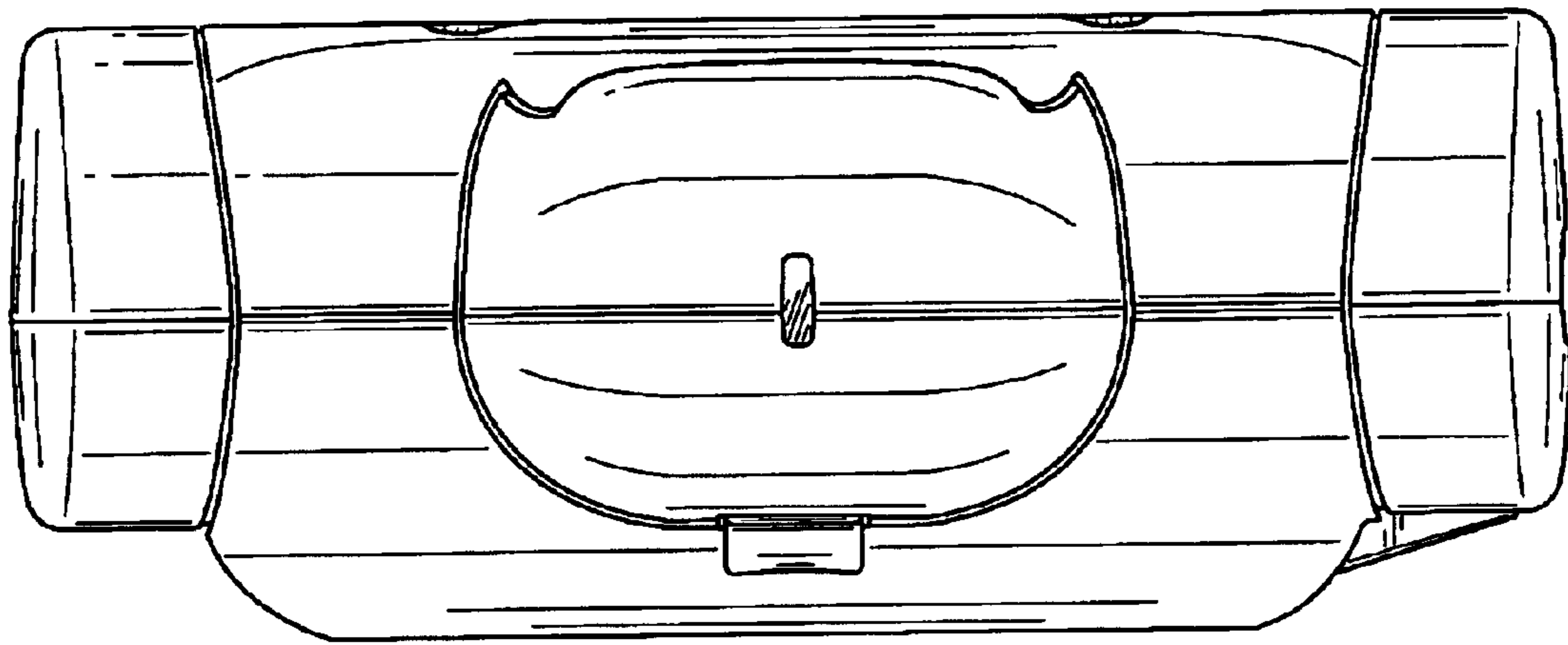


FIG. 6

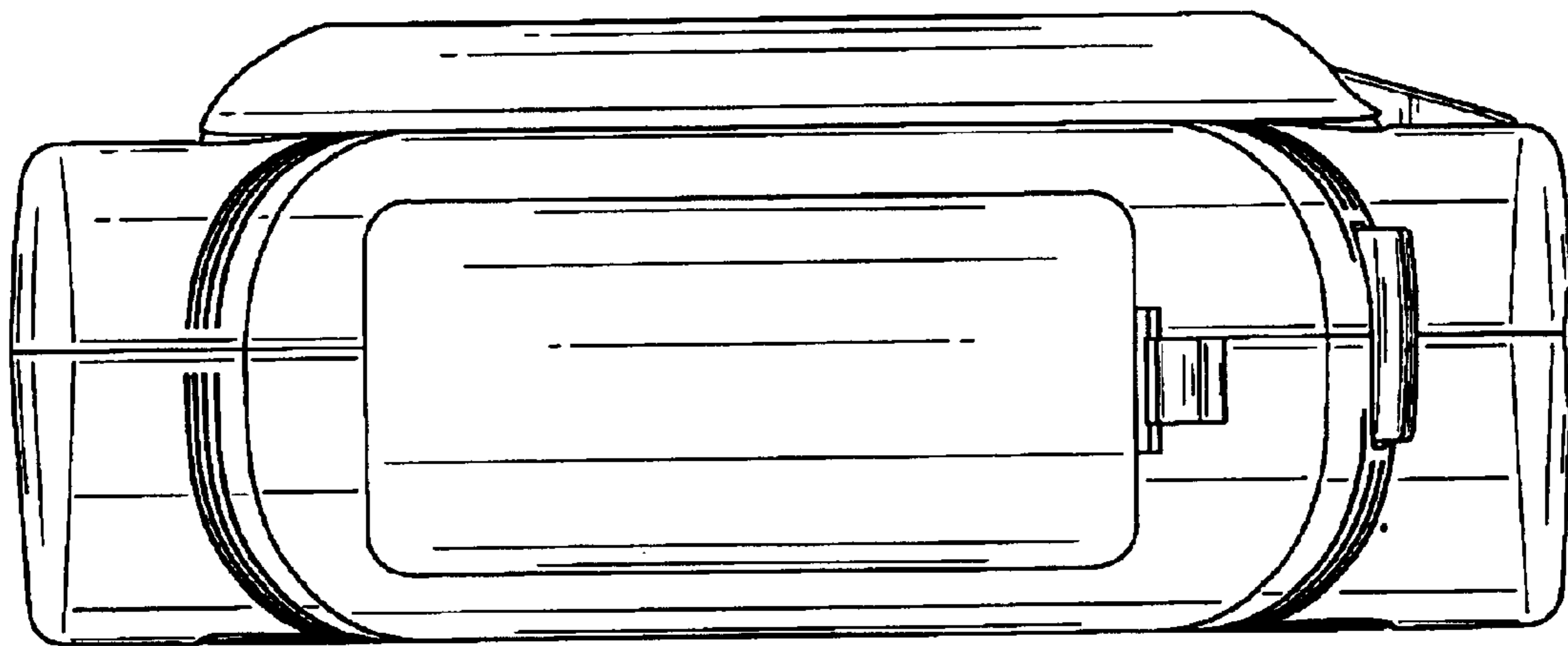


FIG. 7