

US00D494480S1

(12) **United States Design Patent**
Soltau

(10) **Patent No.:** **US D494,480 S**

(45) **Date of Patent:** **** Aug. 17, 2004**

(54) **SHIP STARMAP**

D356,046 S * 3/1995 Harper D10/62
D409,098 S * 5/1999 Michaeli D10/64

(76) Inventor: **Dirk Soltau**, Flotzwand 6, Waldkirch
(DE), 79183

* cited by examiner

(**) Term: **14 Years**

Primary Examiner—Antoine D. Davis

(74) *Attorney, Agent, or Firm*—Volpe & Koenig, P.C.

(21) Appl. No.: **29/183,344**

(57) **CLAIM**

(22) Filed: **Jun. 11, 2003**

The ornamental design for a ship starmap, as shown and described.

(30) **Foreign Application Priority Data**

Dec. 12, 2002 (DE) 4 02 10 375

DESCRIPTION

(51) **LOC (7) Cl.** **10-04**

FIG. 1 is a perspective view from above of an open ship starmap showing my new design.

(52) **U.S. Cl.** **D10/64; D10/65**

FIG. 2 is a perspective view from above of a closed ship starmap showing my new design.

(58) **Field of Search** D10/64-65; 434/284-286,
434/289; 33/1 N, 269, 228, 1 B, 262, 268,
277

FIG. 3 is a top view of an open ship starmap.

FIG. 4 is a front view of an open ship starmap.

FIG. 5 is a right side view of an open ship starmap.

FIG. 6 is a back view of an open ship starmap.

FIG. 7 is a bottom view of an open ship starmap; and,

FIG. 8 is a left side view of an open ship starmap.

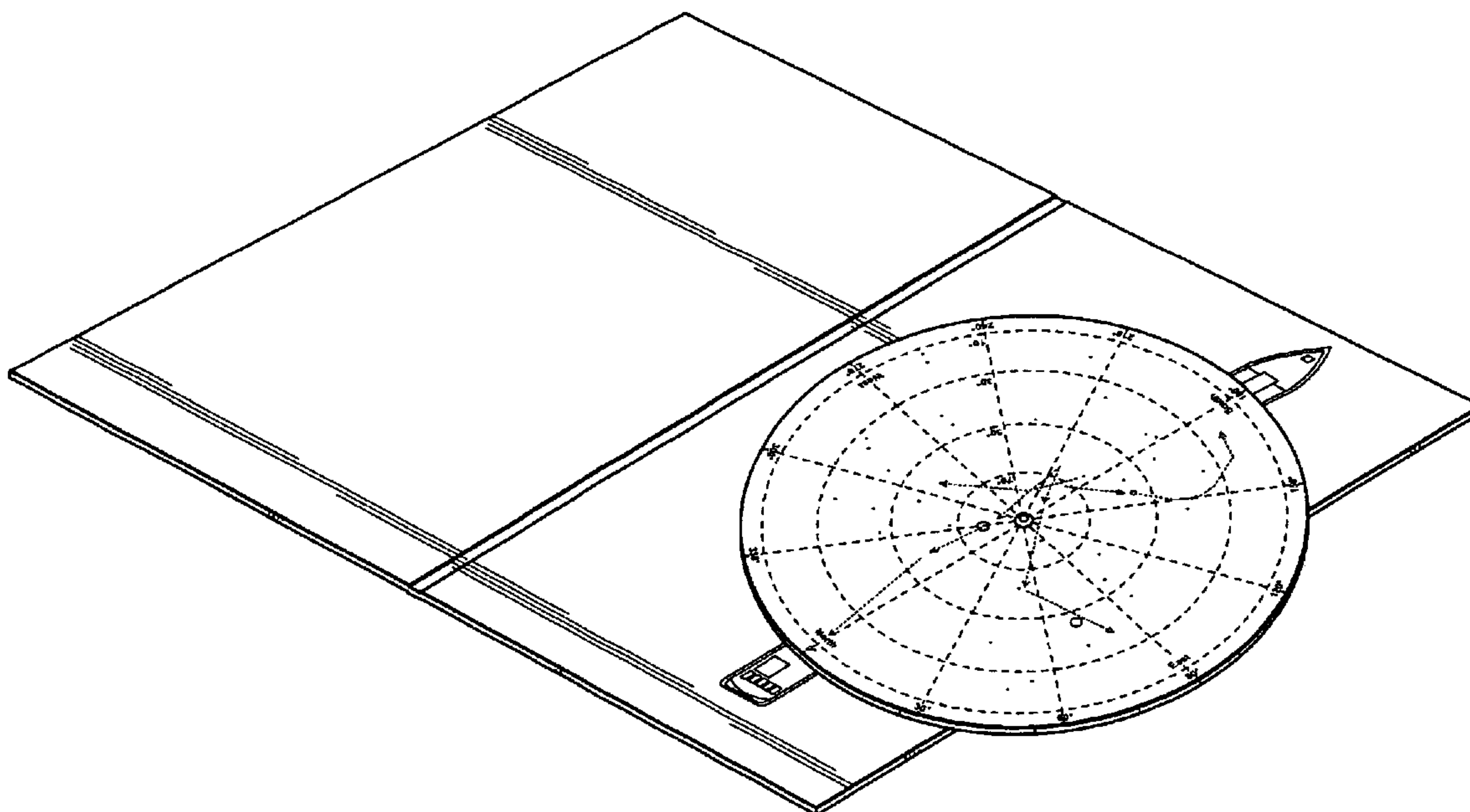
The broken lines shown in FIGS. 1, 2, and 3 represent environmental subject matter and form no part of the claimed design.

(56) **References Cited**

U.S. PATENT DOCUMENTS

2,904,885 A * 9/1959 Wood, Sr. 33/1 N
2,921,386 A * 1/1960 Stefano 434/285
3,925,899 A * 12/1975 Hesse et al. 33/403
4,512,085 A * 4/1985 Liddell 33/269
5,186,630 A * 2/1993 Tien 434/149

1 Claim, 4 Drawing Sheets



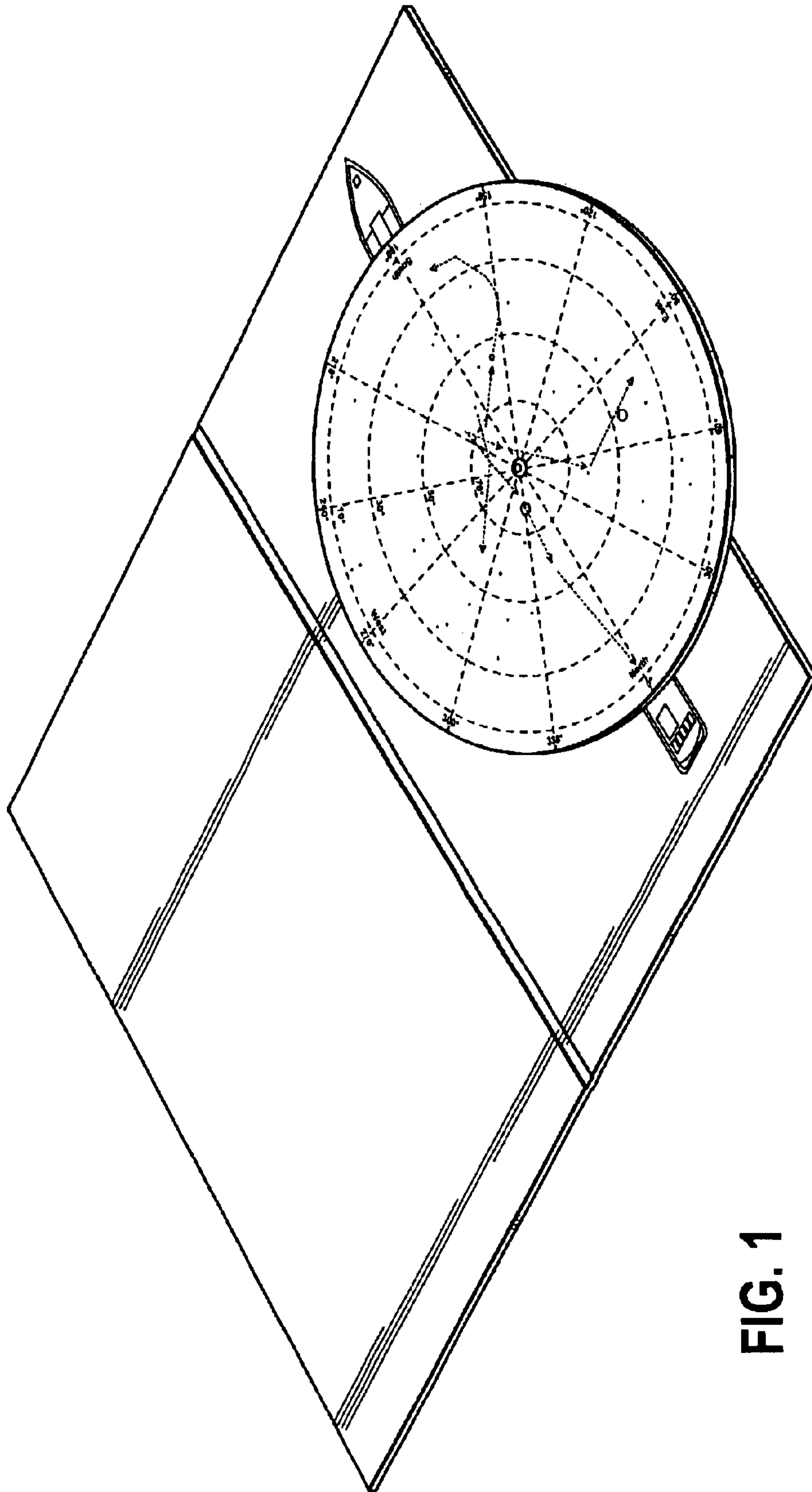


FIG. 1

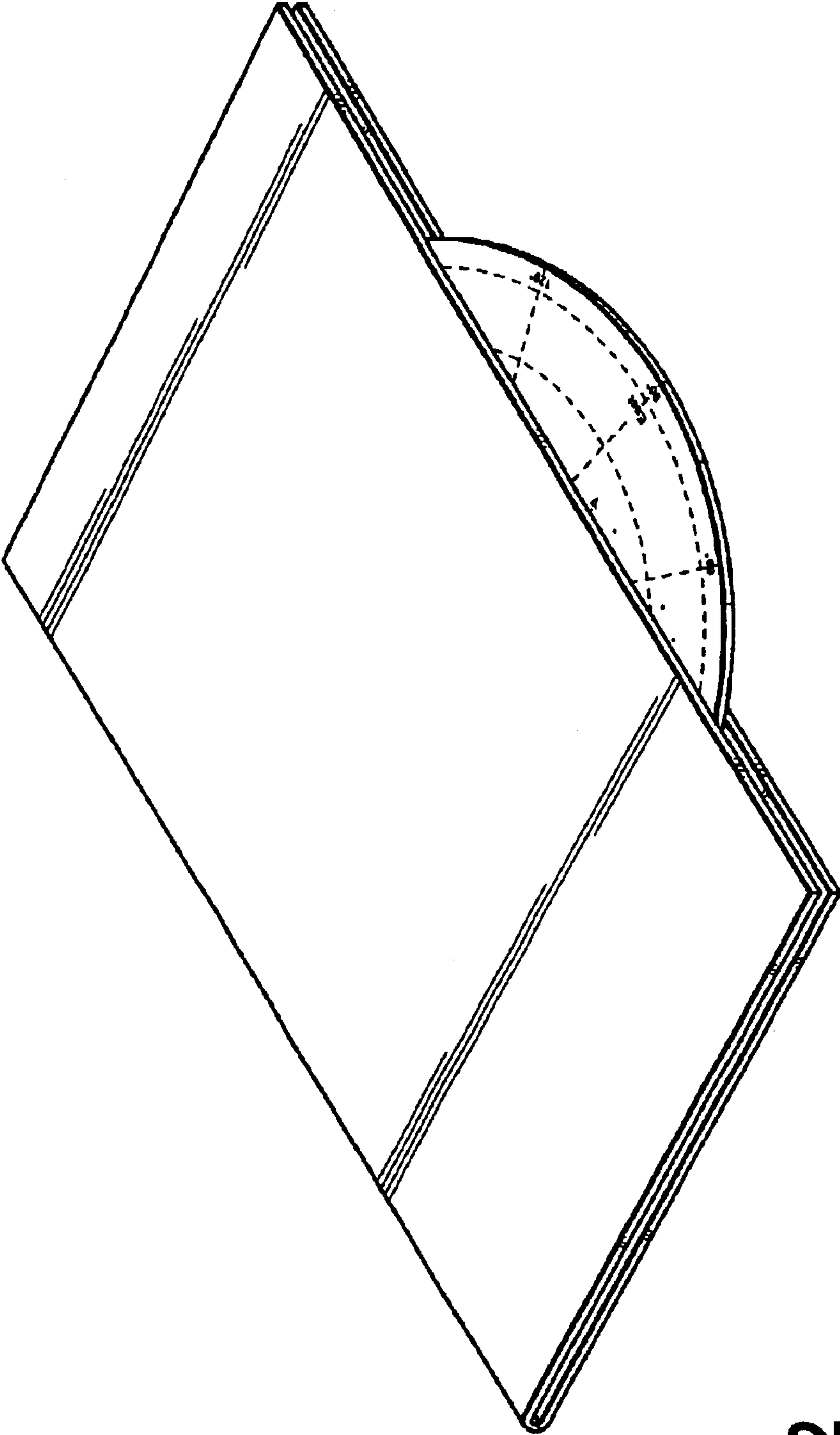


FIG. 2

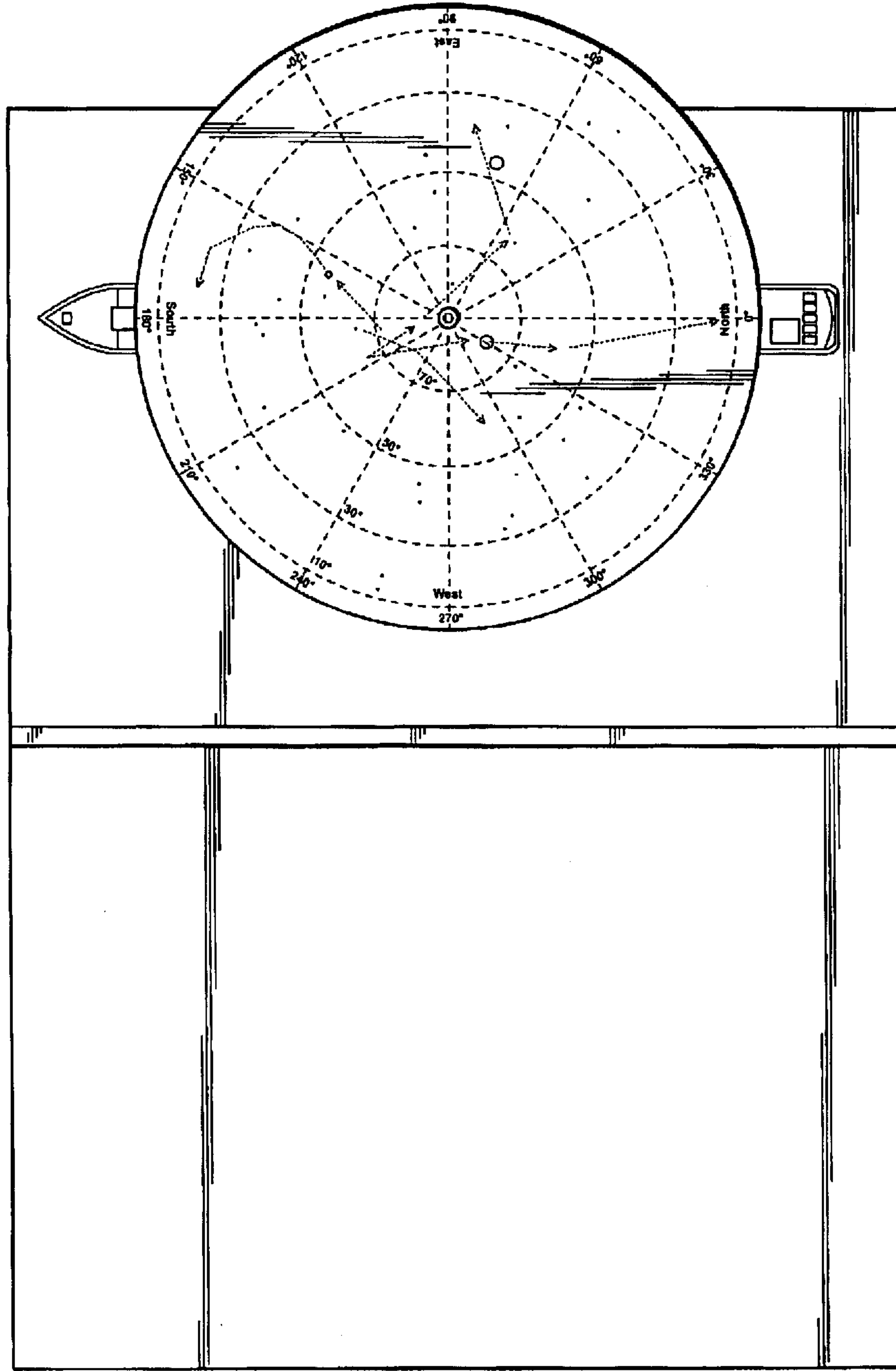


FIG. 3



FIG. 5

FIG. 4

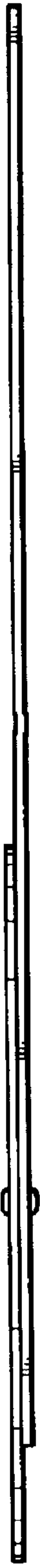


FIG. 6

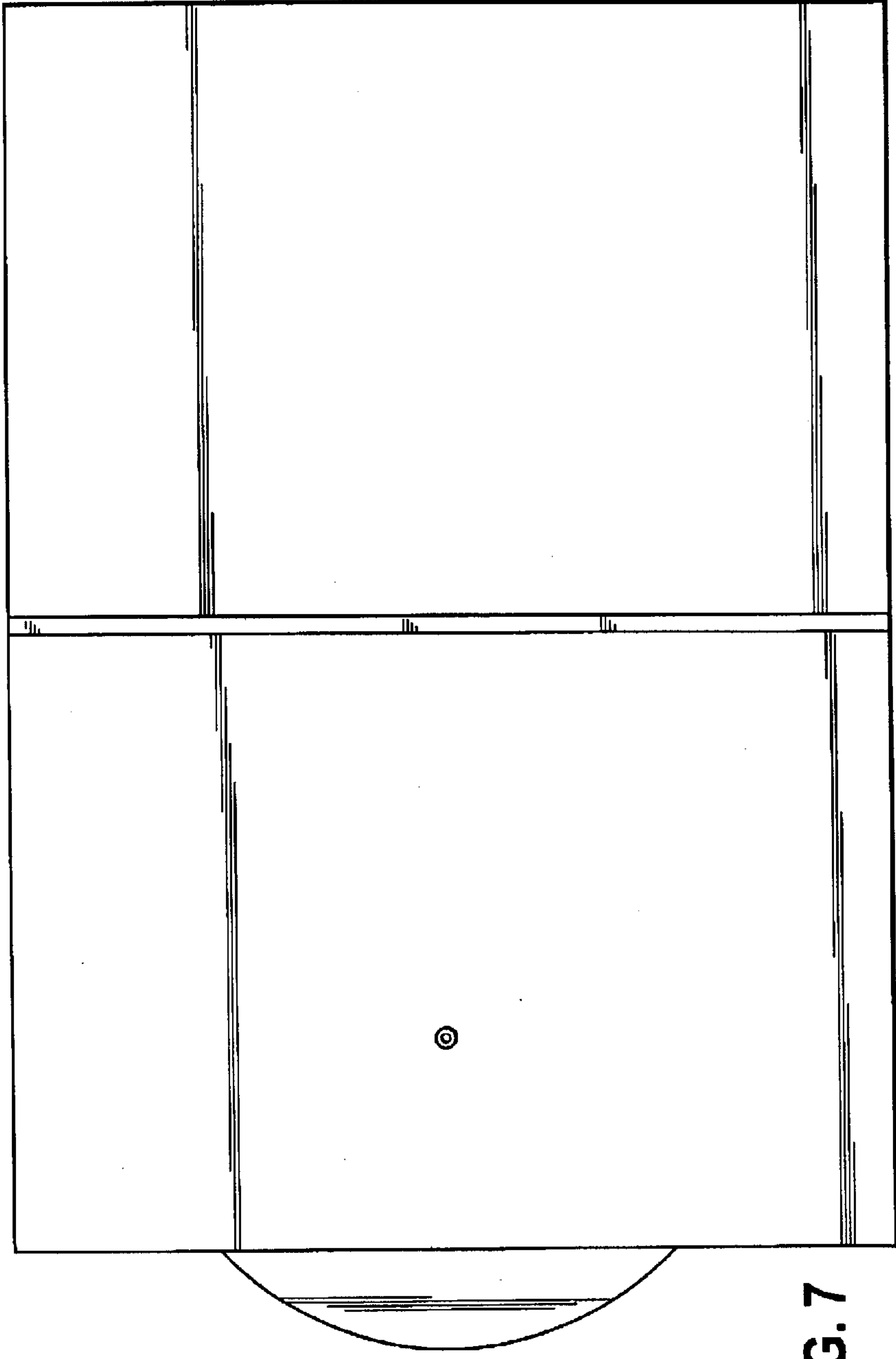


FIG. 7



FIG. 8