

US00D494473S1

(12) **United States Design Patent**
Yourist

(10) **Patent No.: US D494,473 S**

(45) **Date of Patent: ** Aug. 17, 2004**

- (54) **BOTTLE DOME**
- (75) Inventor: **Sheldon Yourist**, York, PA (US)
- (73) Assignee: **Graham Packaging Company, L.P.**,
York, PA (US)
- (**) Term: **14 Years**
- (21) Appl. No.: **29/186,180**
- (22) Filed: **Jul. 11, 2003**
- (51) **LOC (7) Cl. 09-01**
- (52) **U.S. Cl. D9/516; D9/552**
- (58) **Field of Search D9/516, 530, 537-539,**
D9/545-546, 549, 552, 556, 557, 558, 565,
569, 570, 300; 215/381-384, 396, 398,
400

- D437,555 S * 2/2001 Di Canio et al. D9/434
- D440,155 S * 4/2001 Schaefer D9/451
- 6,213,326 B1 * 4/2001 Denner et al. 215/383
- D441,660 S 5/2001 Denner et al.
- D445,695 S 7/2001 Ogg
- D485,765 S * 1/2004 Thierjung et al. D9/538

* cited by examiner

Primary Examiner—Carol Rademaker

(74) *Attorney, Agent, or Firm*—James R. Burdett; Lars H. Genieser; Venable LLP

(57) **CLAIM**

The ornamental design for a bottle dome, as shown and described.

DESCRIPTION

FIG. 1 is a perspective view of the bottle dome of the claimed design;

FIG. 2 is a front elevational view thereof;

FIG. 3 is a right side elevational view thereof;

FIG. 4 is a rear elevational view thereof;

FIG. 5 is a left side elevational view thereof; and,

FIG. 6 is a top plan view thereof.

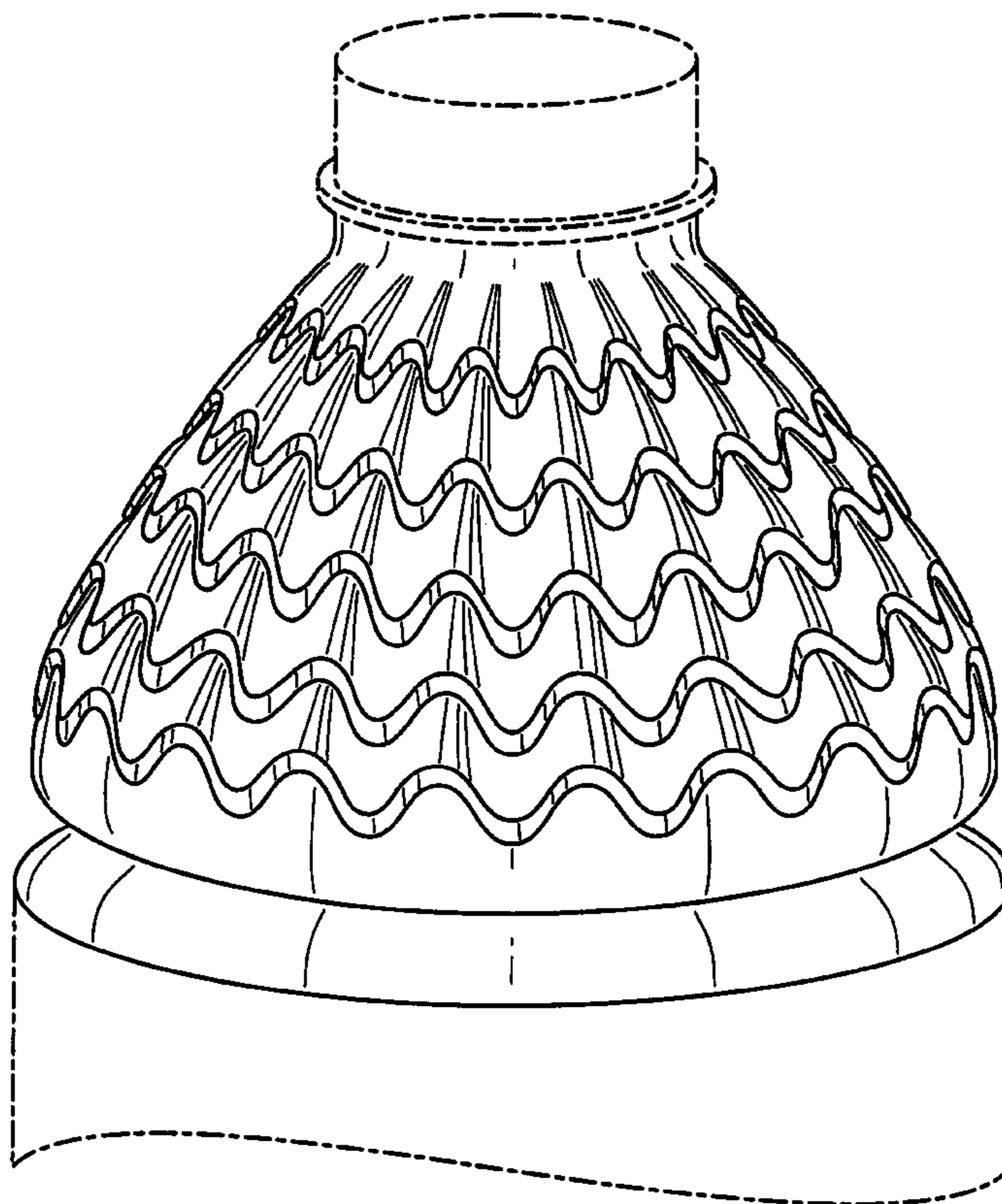
The broken line showing of the upstanding finish portion of the bottle dome in FIGS. 1-6 and the broken line showing of a portion of the body of the bottle in FIGS. 1-5 are for illustrative purposes only and form no part of the claimed design.

(56) **References Cited**

U.S. PATENT DOCUMENTS

- D179,173 S * 11/1956 Wilson D9/552
- D188,133 S * 6/1960 Bindman D9/565
- D316,966 S * 5/1991 York D9/538
- D358,294 S * 5/1995 Leticia D7/392.1
- D412,085 S * 7/1999 Roush et al. D7/396.2
- D413,520 S * 9/1999 Comper D9/557 X
- D415,681 S * 10/1999 Yourist D9/552 X
- D423,939 S * 5/2000 Ogg D9/537
- D429,166 S 8/2000 Ogg
- D434,272 S * 11/2000 Johansen et al. D7/396.6

1 Claim, 6 Drawing Sheets



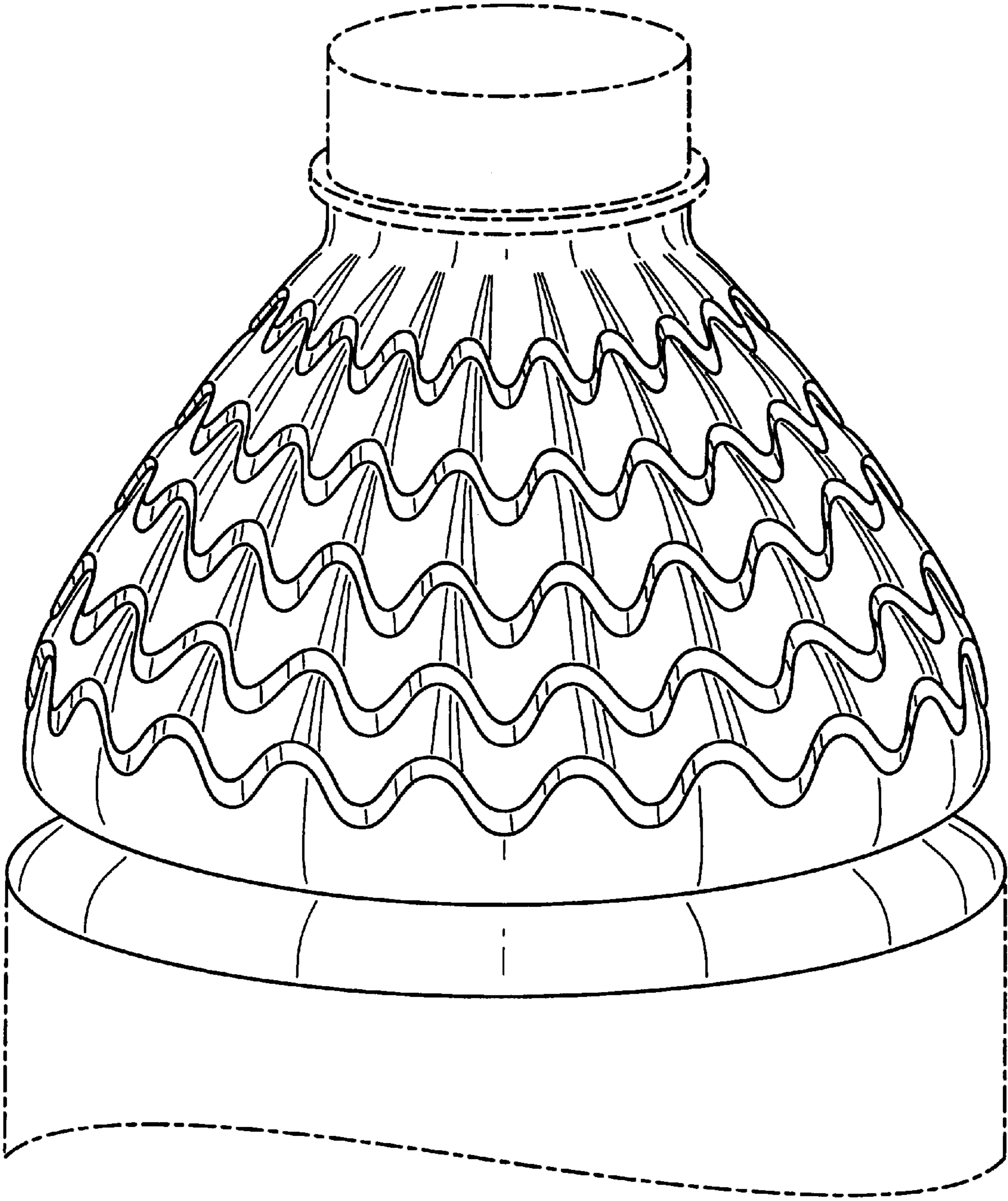


FIG. 1

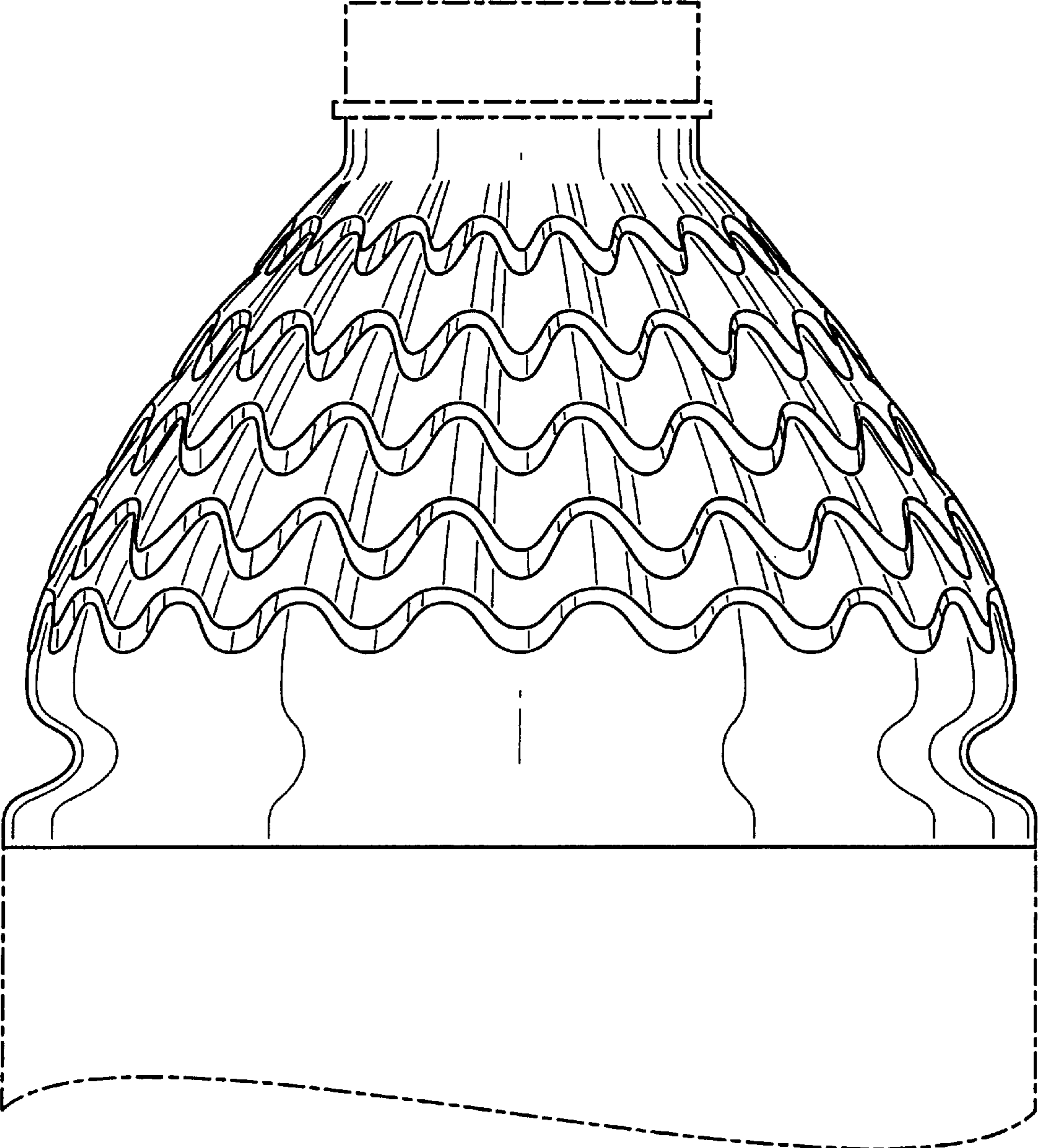


FIG. 2

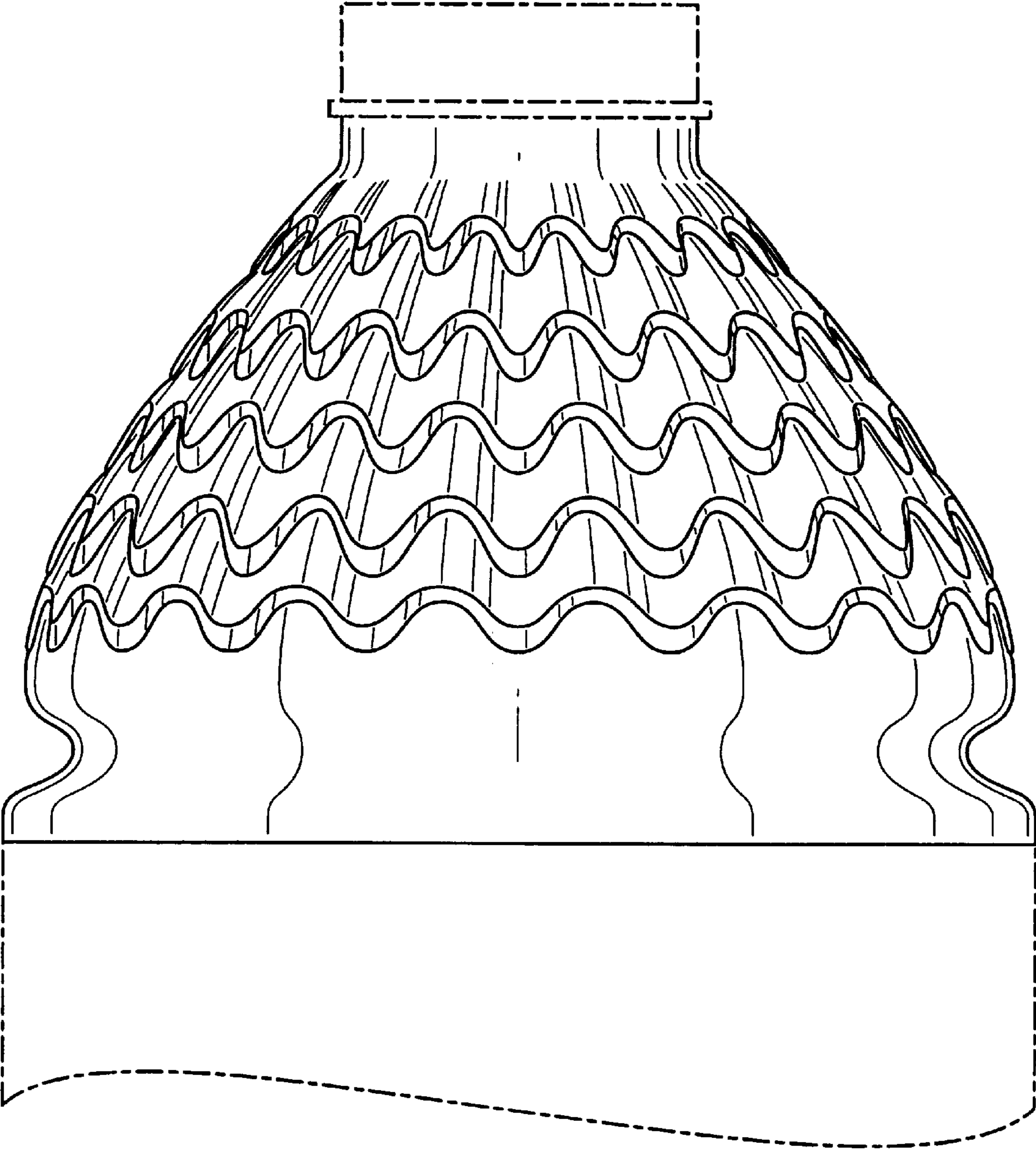


FIG. 3

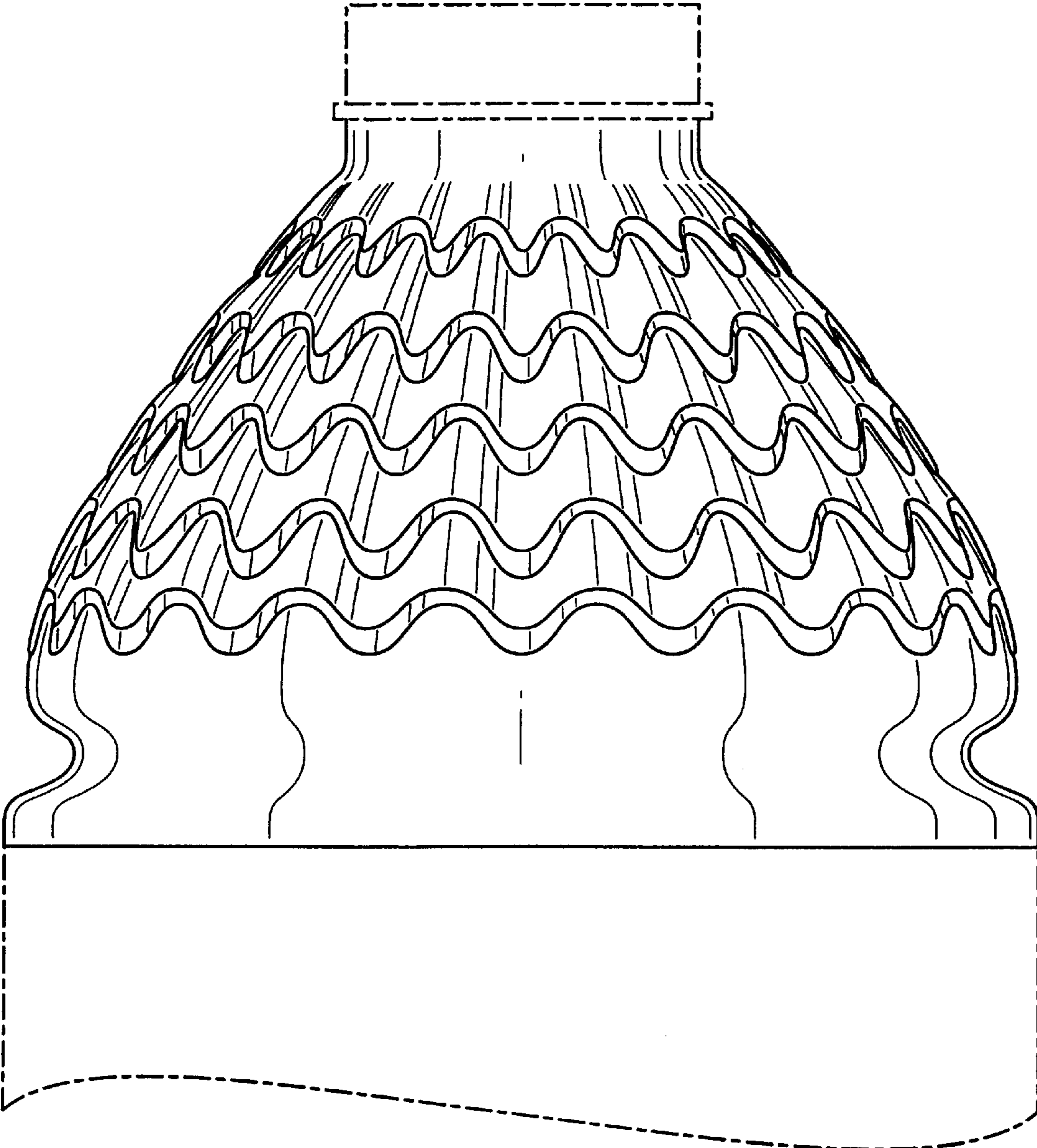


FIG. 4

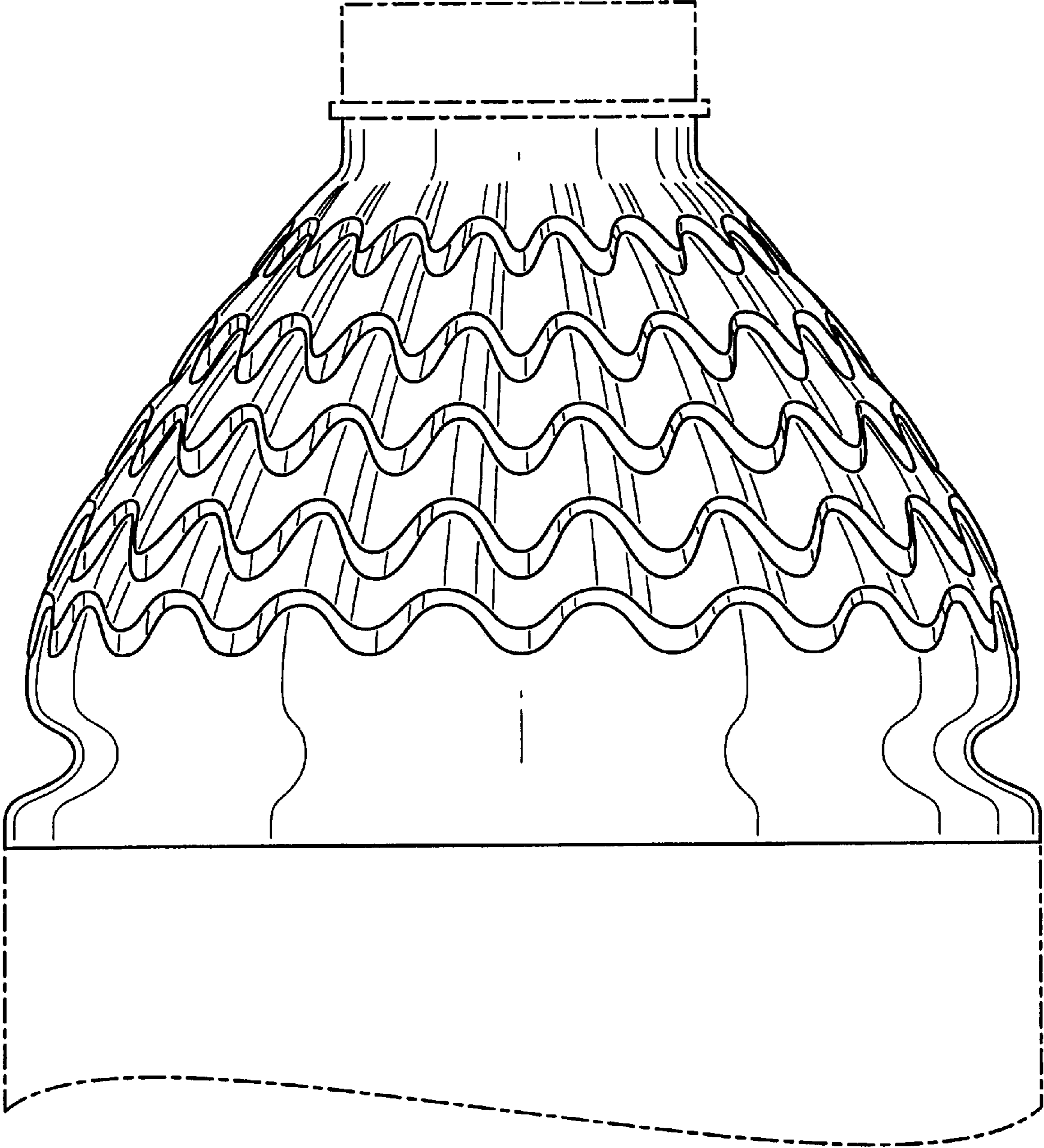


FIG. 5

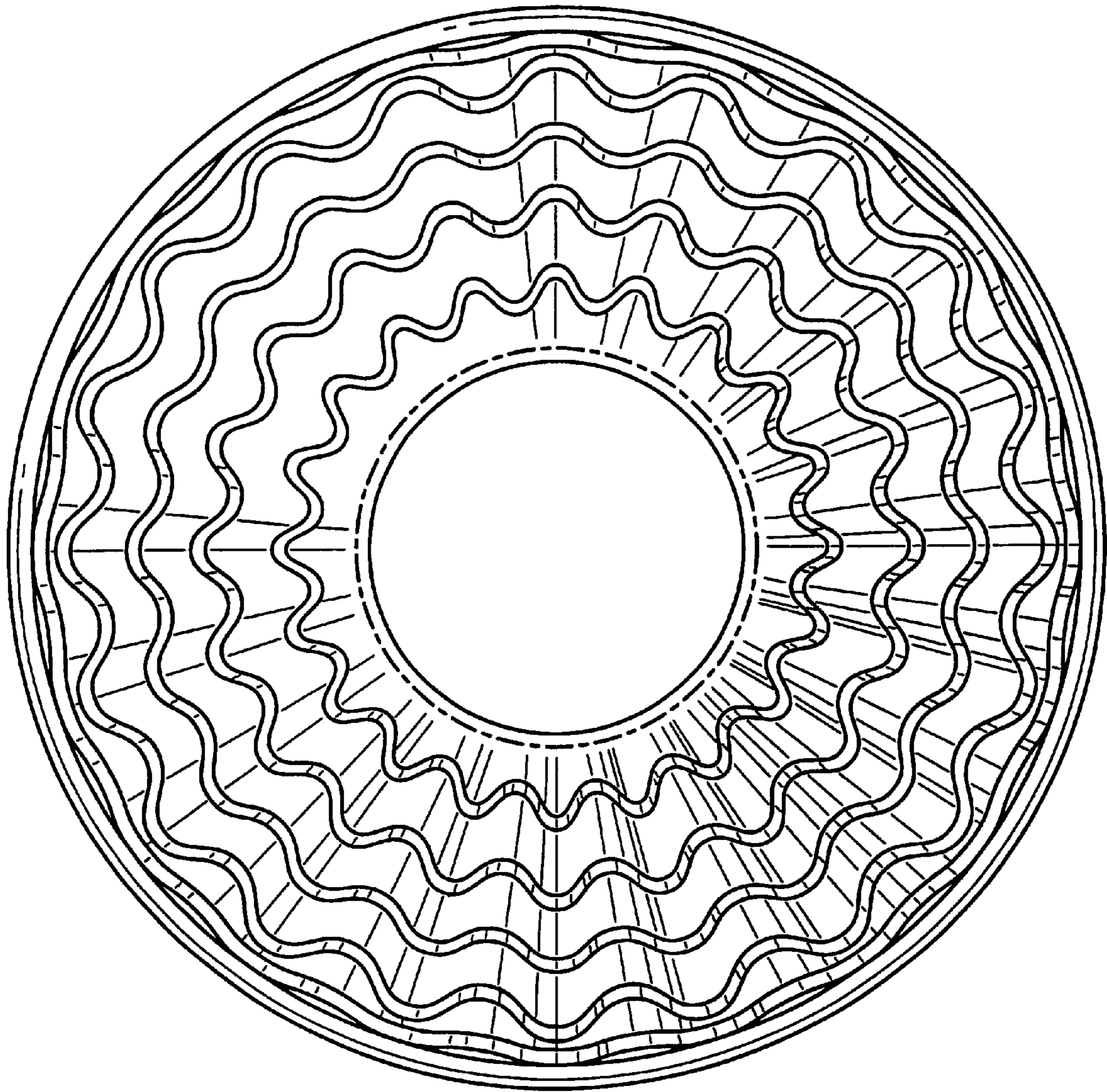


FIG. 6