



US00D494471S1

(12) **United States Design Patent**
Chou

(10) **Patent No.:** **US D494,471 S**

(45) **Date of Patent:** **** Aug. 17, 2004**

(54) **BOTTLE HOLDER**

(75) **Inventor:** **Tung Chou, Yang Mei (TW)**

(73) **Assignee:** **Leapers, Inc., Livonia, MI (US)**

(**) **Term:** **14 Years**

(21) **Appl. No.:** **29/189,329**

(22) **Filed:** **Sep. 3, 2003**

(51) **LOC (7) Cl.** **09-07**

(52) **U.S. Cl.** **D9/455**

(58) **Field of Search** D9/455, 434, 499;
D7/601, 387, 393-395, 622, 619.1; 215/399,
396, 395; 220/751, 737, 741, 742; 294/31.2,
137, 149

(56) **References Cited**

U.S. PATENT DOCUMENTS

1,825,897 A	*	10/1931	Brooke	294/31.2
D225,437 S	*	12/1972	Killigrew	D7/622
D292,160 S	*	10/1987	Thomas	D7/622
D302,527 S	*	8/1989	Spies	D7/622
5,655,805 A	*	8/1997	Shaddy	294/31.2
D429,607 S	*	8/2000	Prim	D7/622

* cited by examiner

Primary Examiner—Louis S. Zarfes

Assistant Examiner—Gregory Andoll

(74) *Attorney, Agent, or Firm*—Honigman Miller Schwartz and Cohn LLP

(57) **CLAIM**

The ornamental design for a bottle holder, as shown and described.

DESCRIPTION

FIG. 1 is a perspective view of a bottle holder looking downwardly from the front and right of the bottle holder.

FIG. 2 is a top view of the bottle holder shown in FIG. 1.

FIG. 3 is a front elevation view of the bottle holder shown in FIG. 1.

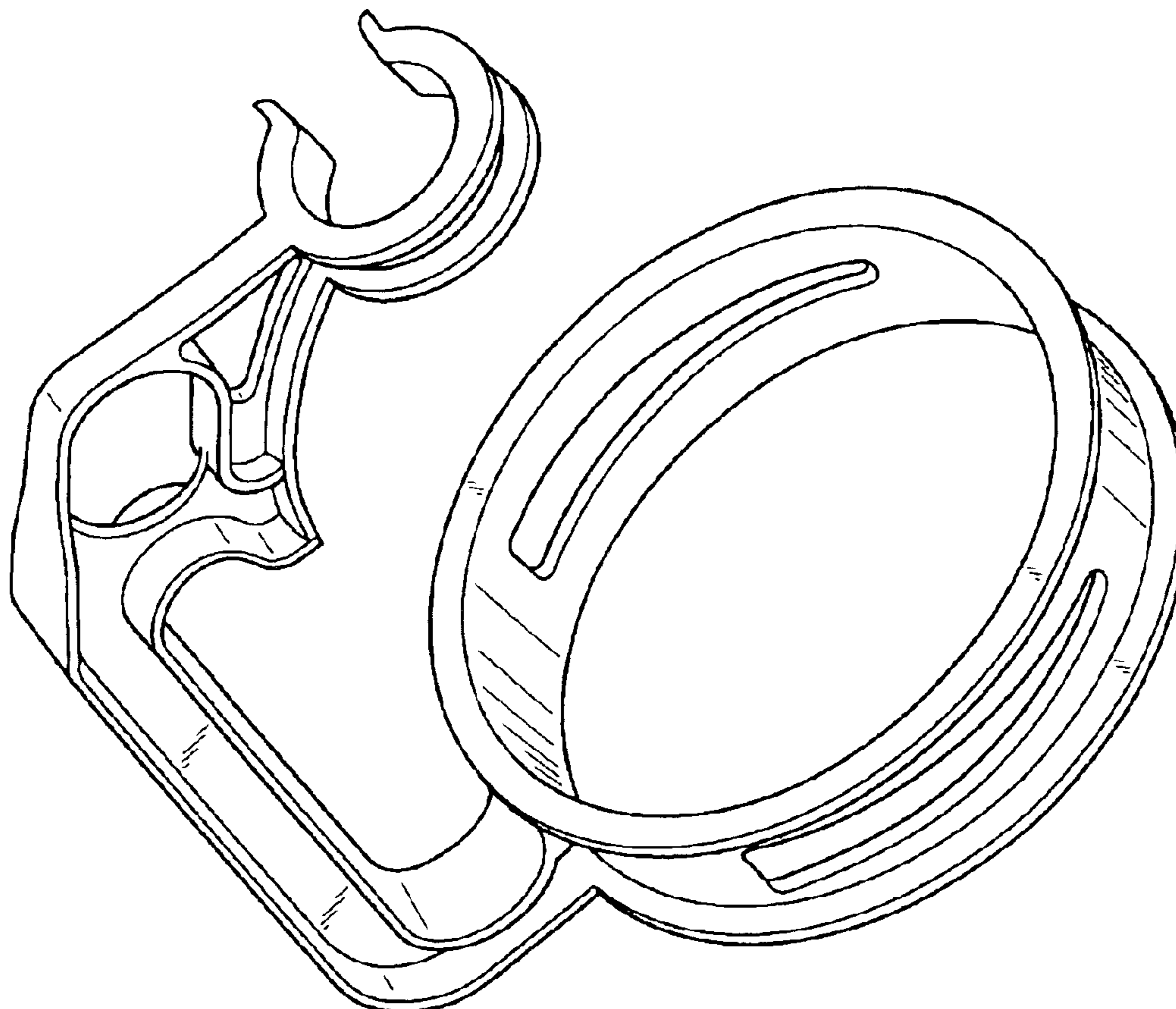
FIG. 4 is a right side elevation view of the bottle holder shown in FIG. 1.

FIG. 5 is a left side elevation view of the bottle holder shown in FIG. 1.

FIG. 6 is a rear elevation view of the bottle holder shown in FIG. 1; and,

FIG. 7 is a bottom view of the bottle holder shown in FIG. 1.

1 Claim, 4 Drawing Sheets



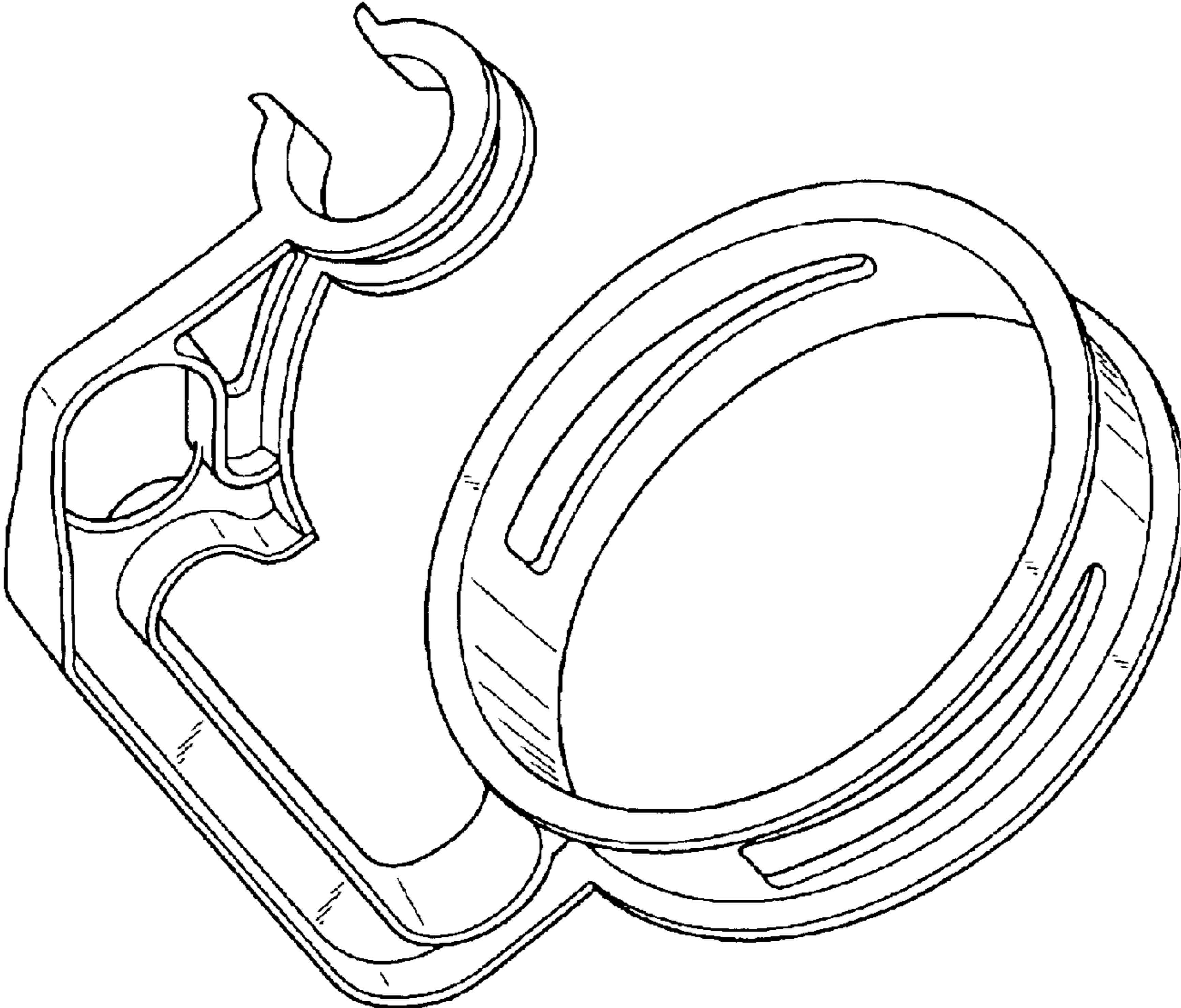


FIG. 1

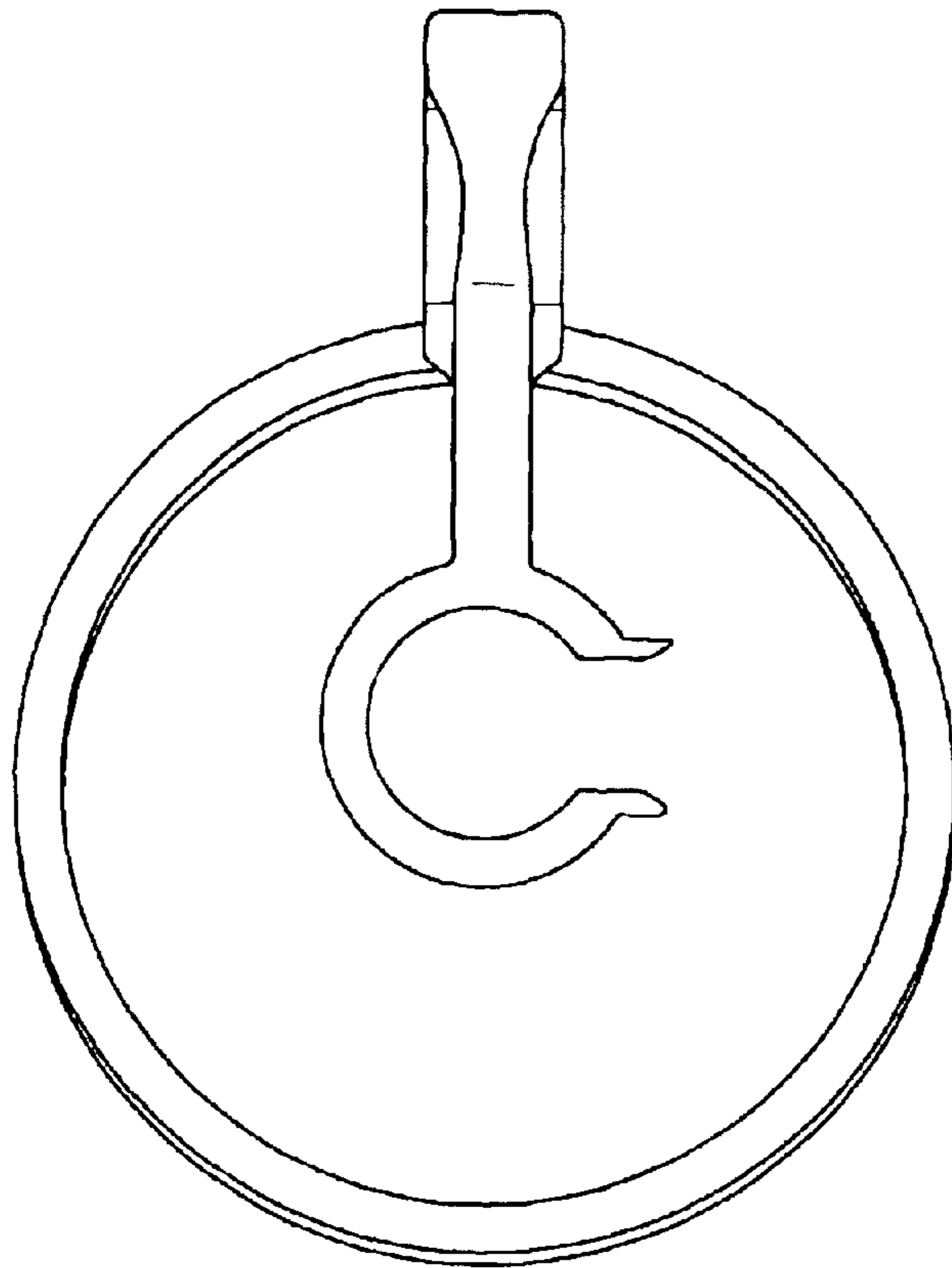


FIG. 2

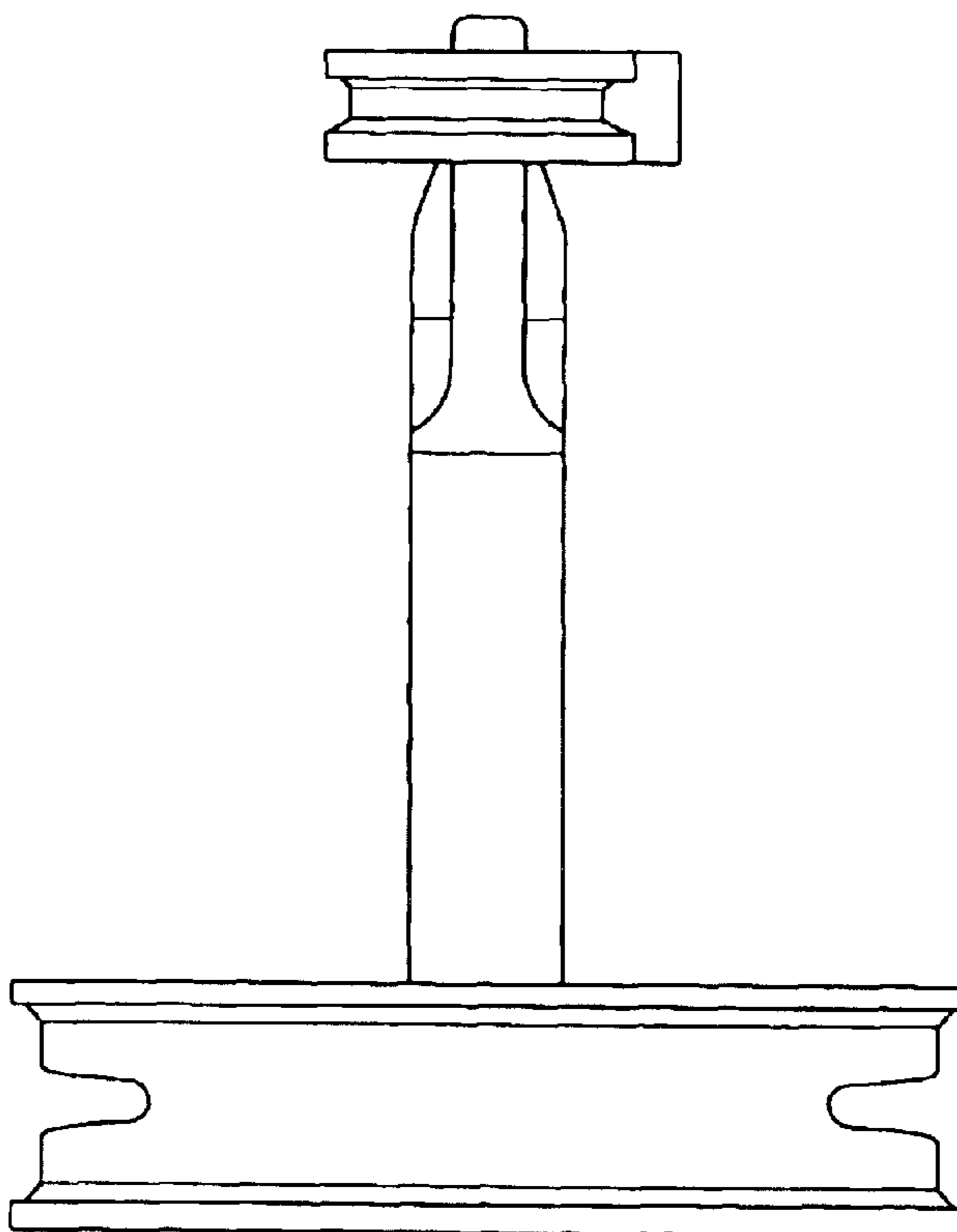


FIG. 3

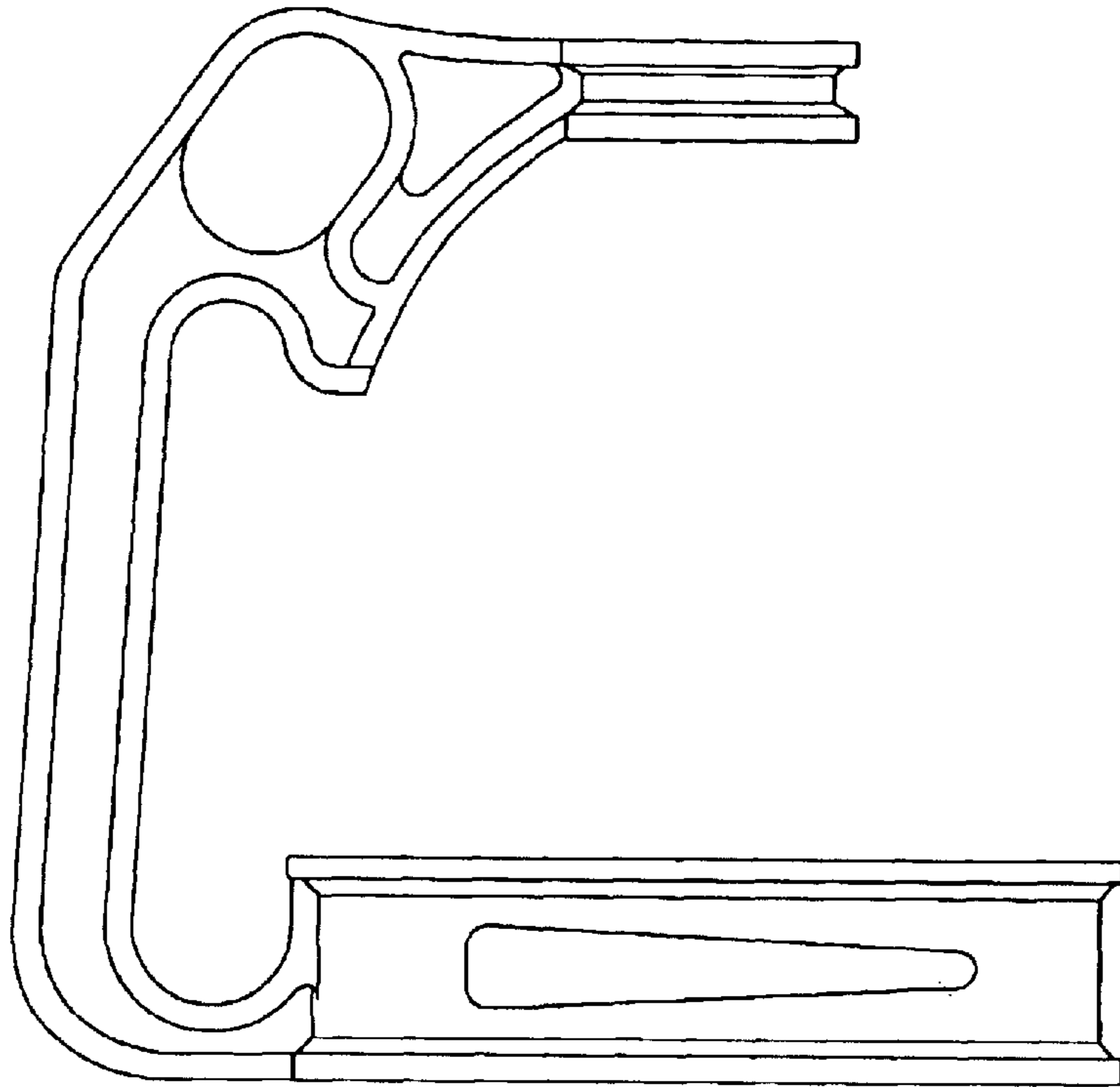


FIG. 4

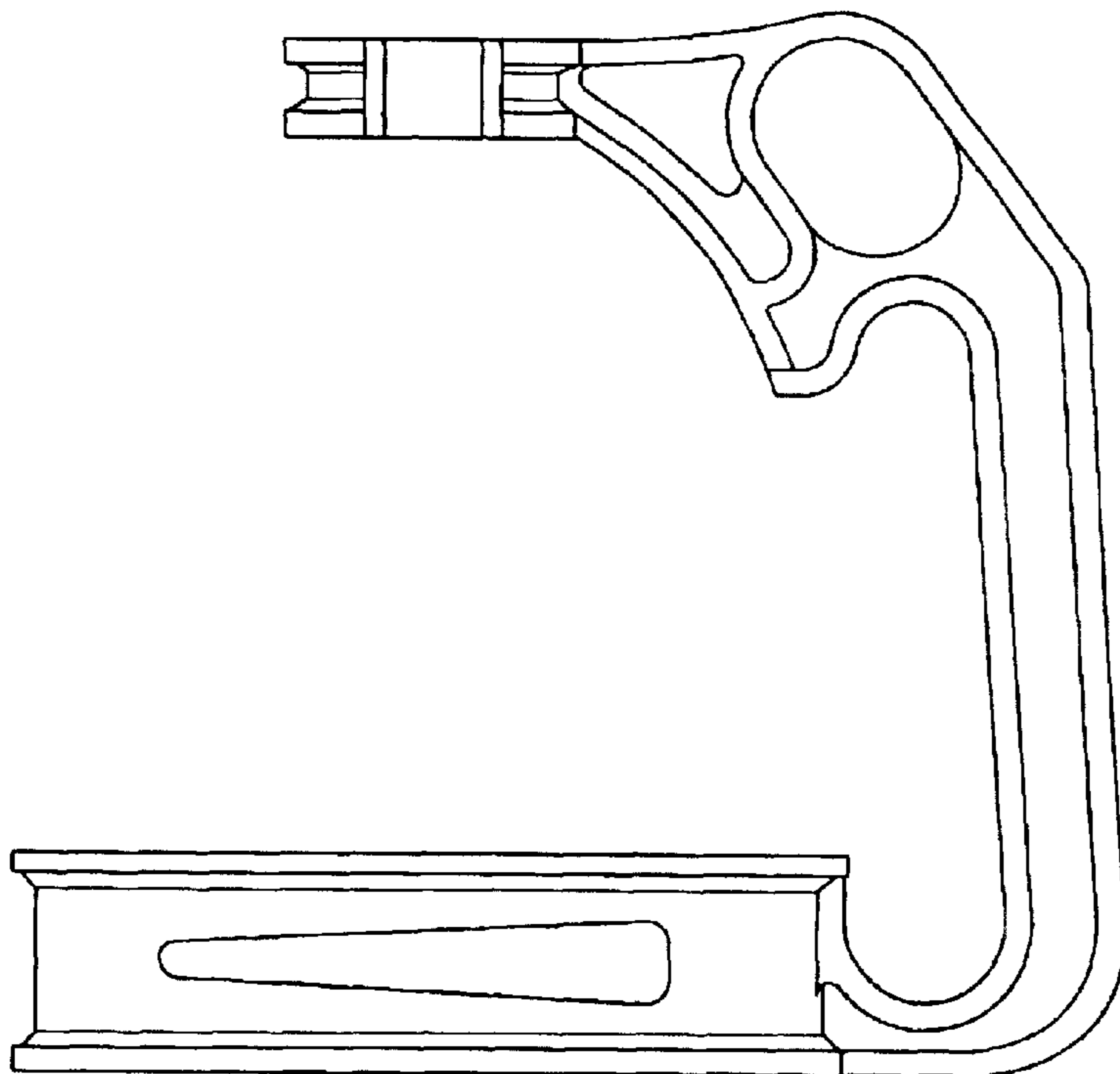


FIG. 5

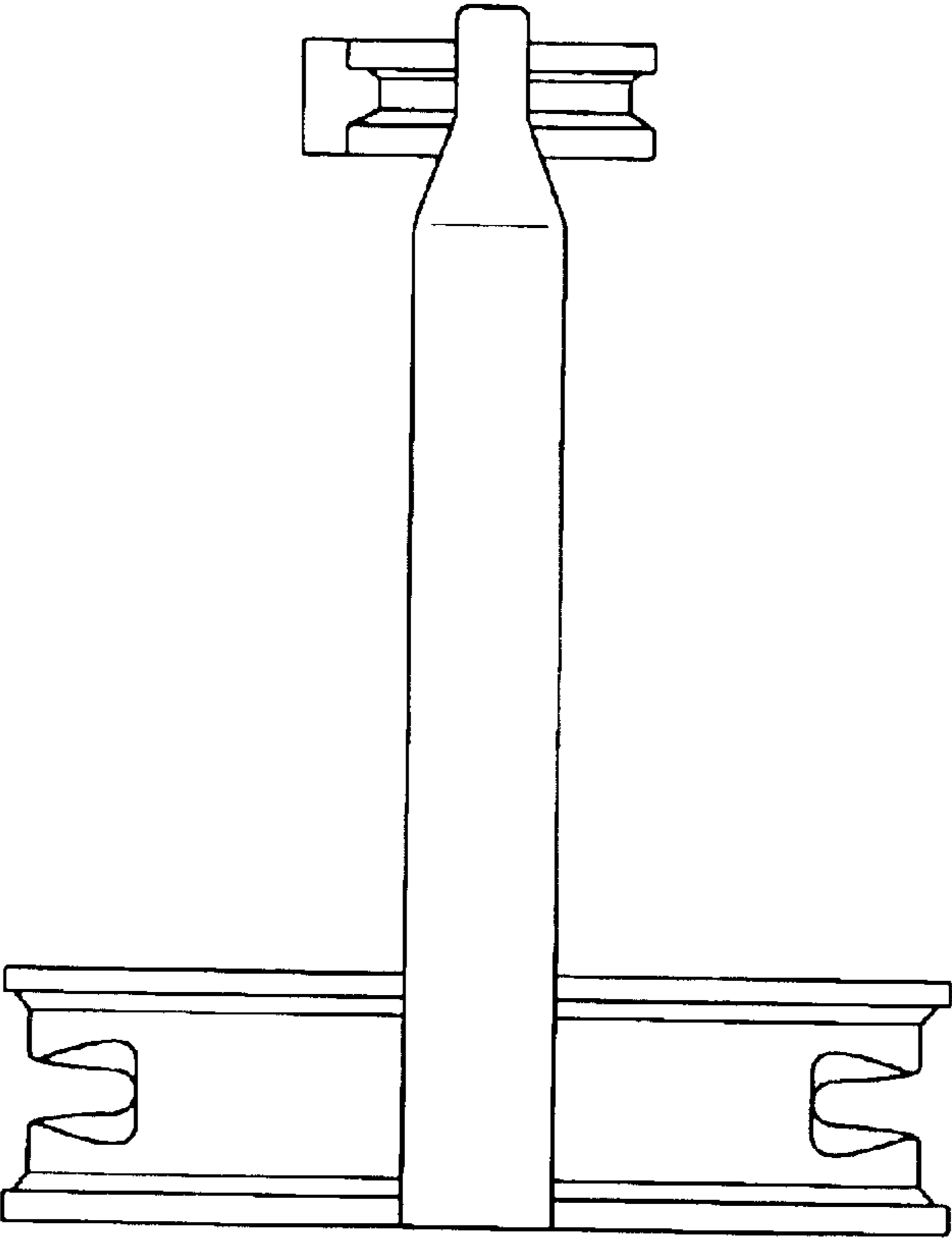


FIG. 6

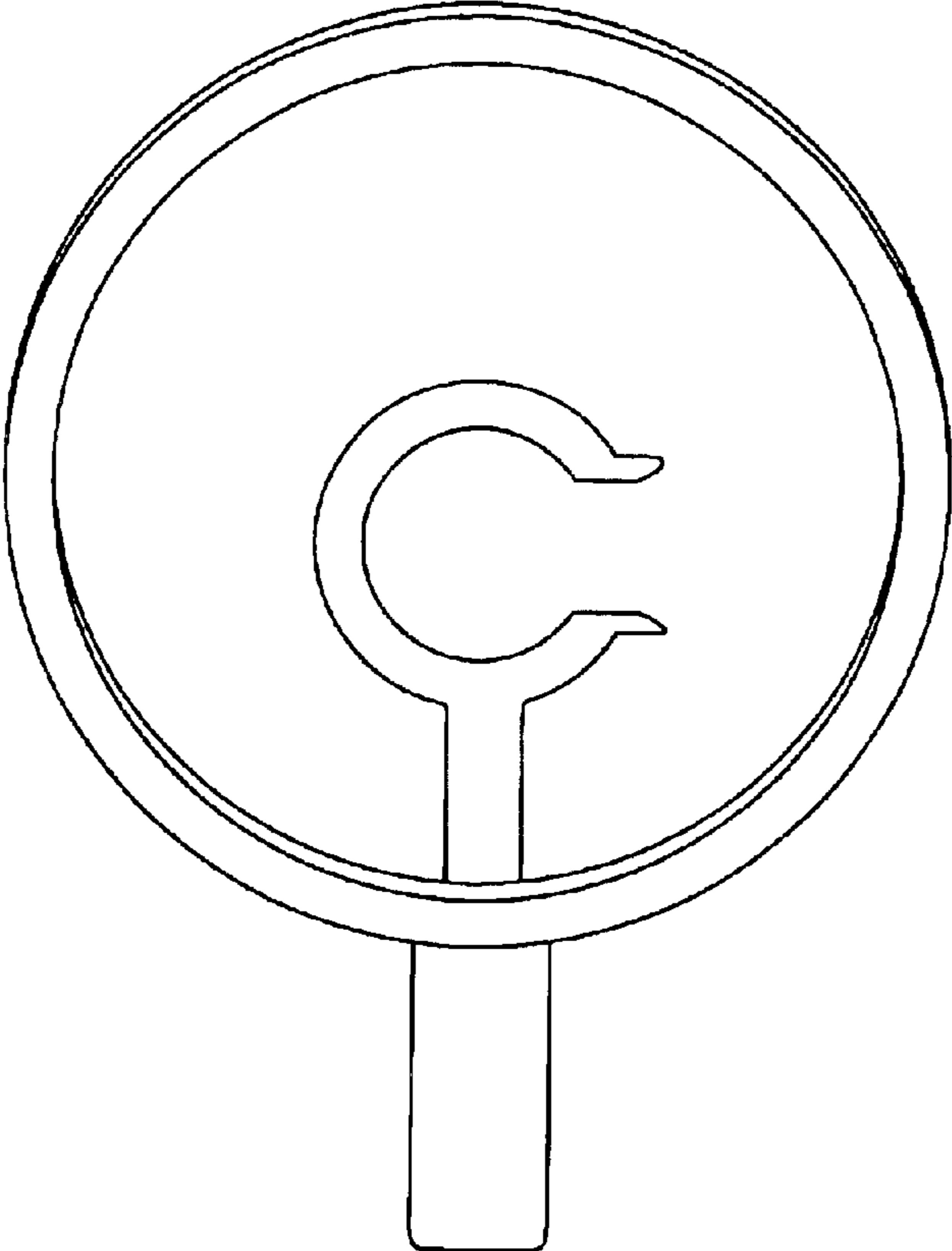


FIG. 7