

US00D494469S1

(12) **United States Design Patent**
Solowiejko

(10) **Patent No.:** **US D494,469 S**

(45) **Date of Patent:** **** Aug. 17, 2004**

(54) **DISPENSING CLOSURE WITH TAMPER EVIDENT TEAR STRIP**

(75) Inventor: **George Solowiejko**, Rockford, IL (US)

(73) Assignee: **J. L. Clark**, Rockford, IL (US)

(**) Term: **14 Years**

(21) Appl. No.: **29/188,440**

(22) Filed: **Aug. 19, 2003**

(51) **LOC (7) Cl.** **09-07**

(52) **U.S. Cl.** **D9/435; D9/447; D9/449; D9/438**

(58) **Field of Search** D9/432, 435, 447, D9/449, 454, 450, 431, 515; D7/392, 401.1, 591, 569, 590; 222/480, 142.1, 196.1, 196, 556, 339, 450; 220/254.3; 215/901, 235

(56) **References Cited**

U.S. PATENT DOCUMENTS

D28,605 S	*	5/1898	Snyder	D7/590
3,155,285 A	*	11/1964	Baarn	222/153.06
D200,270 S	*	2/1965	Waterman	D9/450
D204,509 S	*	4/1966	Waterman	D9/450
3,322,308 A	*	5/1967	Foster	222/480
4,024,976 A	*	5/1977	Acton	215/50
D278,115 S	*	3/1985	Leininger	D7/392
D312,190 S	*	11/1990	Ciaccio	D7/596
D448,295 S	*	9/2001	Mozes	D9/440
D464,567 S	*	10/2002	Baerenwald et al.	D9/432

* cited by examiner

Primary Examiner—Louis S. Zarfes
Assistant Examiner—Gregory Andoll
(74) *Attorney, Agent, or Firm*—Leydig, Voit & Mayer, Ltd.

(57) **CLAIM**

I claim the ornamental design for the dispensing closure with tamper evident tear strip, as shown and described.

DESCRIPTION

FIG. 1 is a perspective view showing the dispensing closure with tamper evident tear strip according to the invention shown, for context, on a exemplary container;

FIG. 2 is a plan view showing the closure of FIG. 1;

FIG. 3 is a bottom view of the container with closure of FIG. 1;

FIG. 4 is a side elevational view, taken from the left of FIG. 2, showing the dispensing closure with tamper evident tear strip, with the container truncated;

FIG. 5 is a side elevational view, taken from the right in FIG. 2, with the container truncated as in FIG. 4;

FIG. 6 is a front elevational view, taken from the front in FIG. 2, emphasizing the connecting portions of the tamper evident tear strip on the closure, with the container truncated; and,

FIG. 7 is a rear view, opposite the view of FIG. 6, showing the closure with tamper evident tear strip.

The broken lines in the Figures are for illustrative purposes only and form no part of the claimed design.

1 Claim, 4 Drawing Sheets

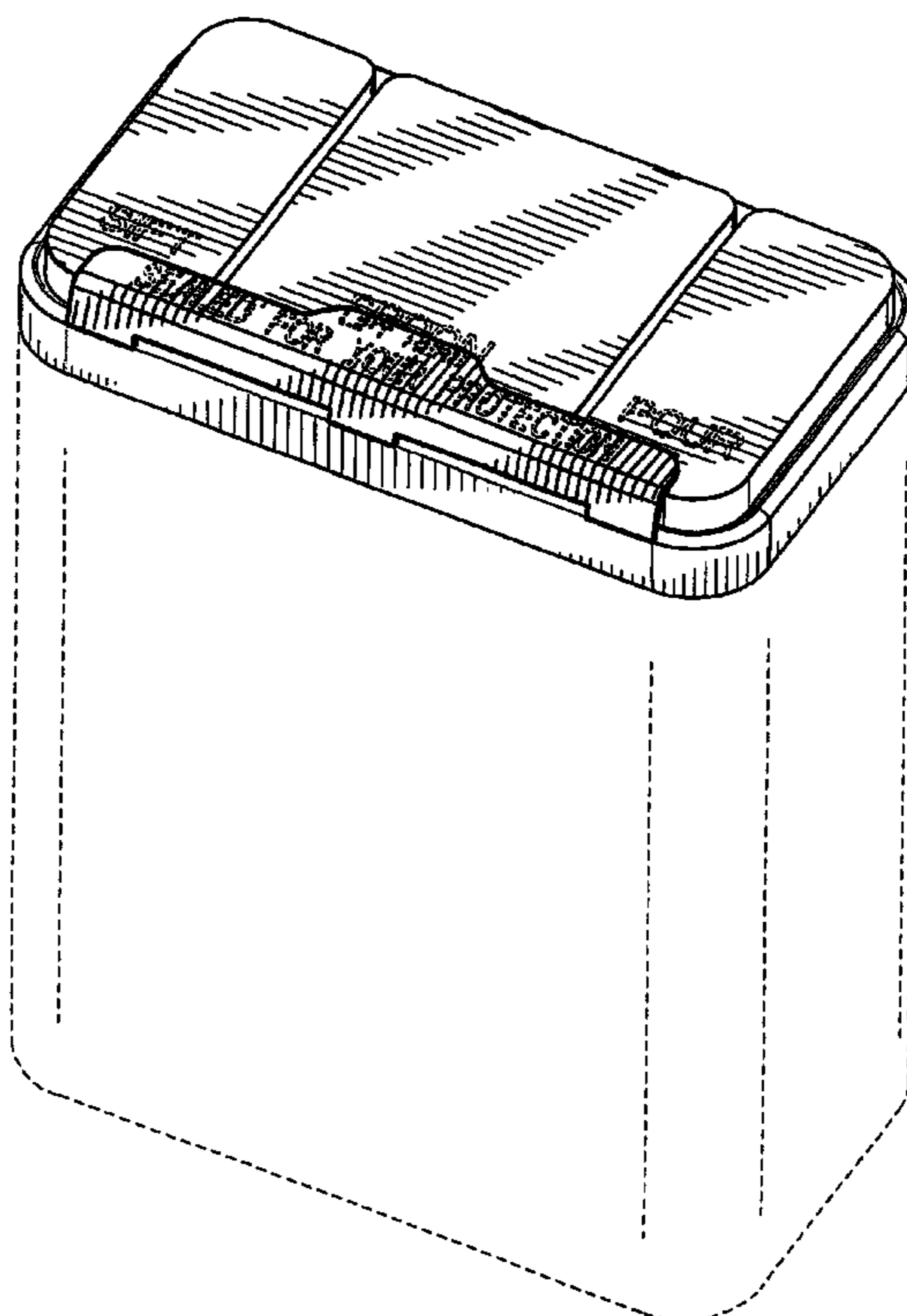


FIG. 1

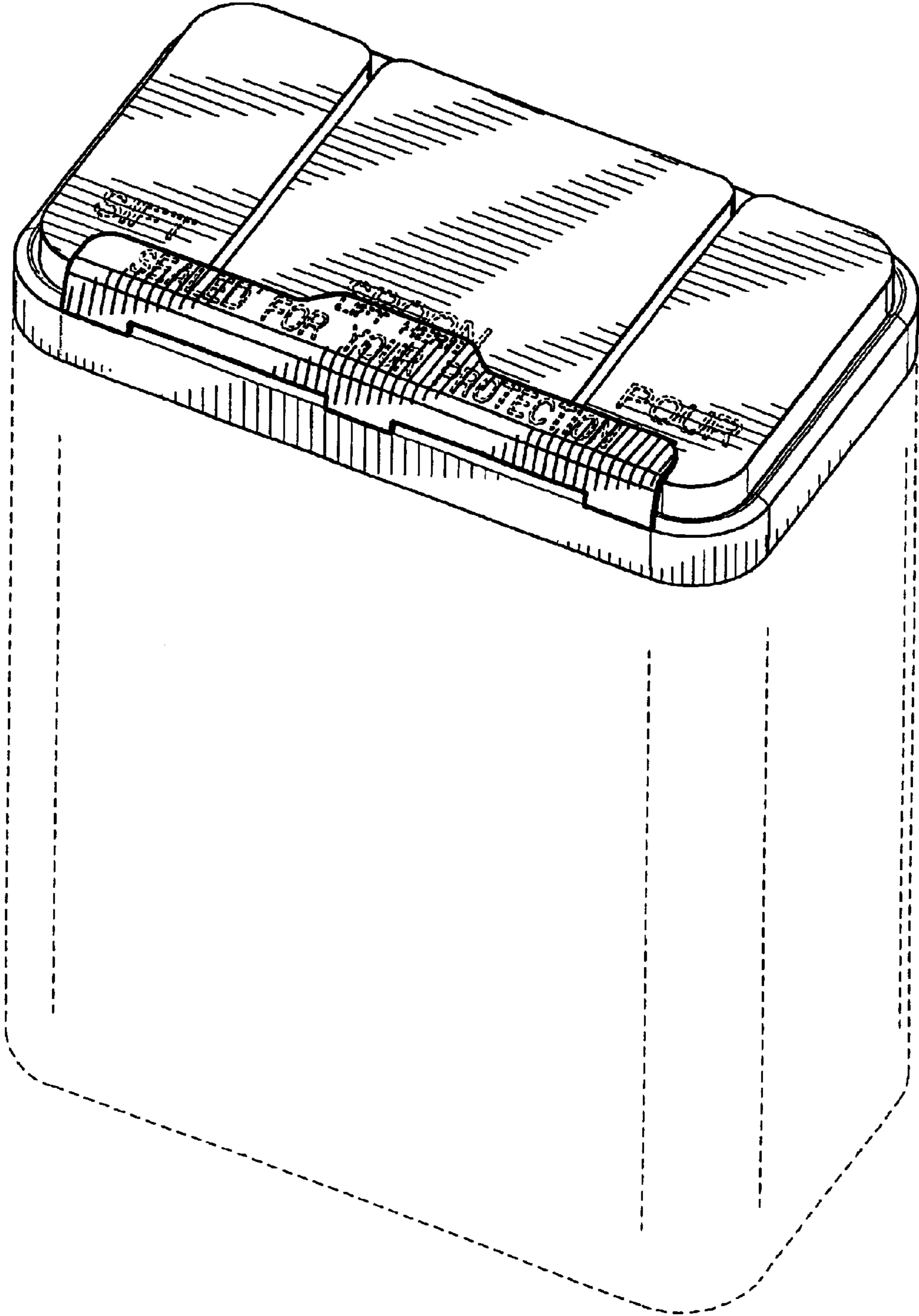


FIG. 2

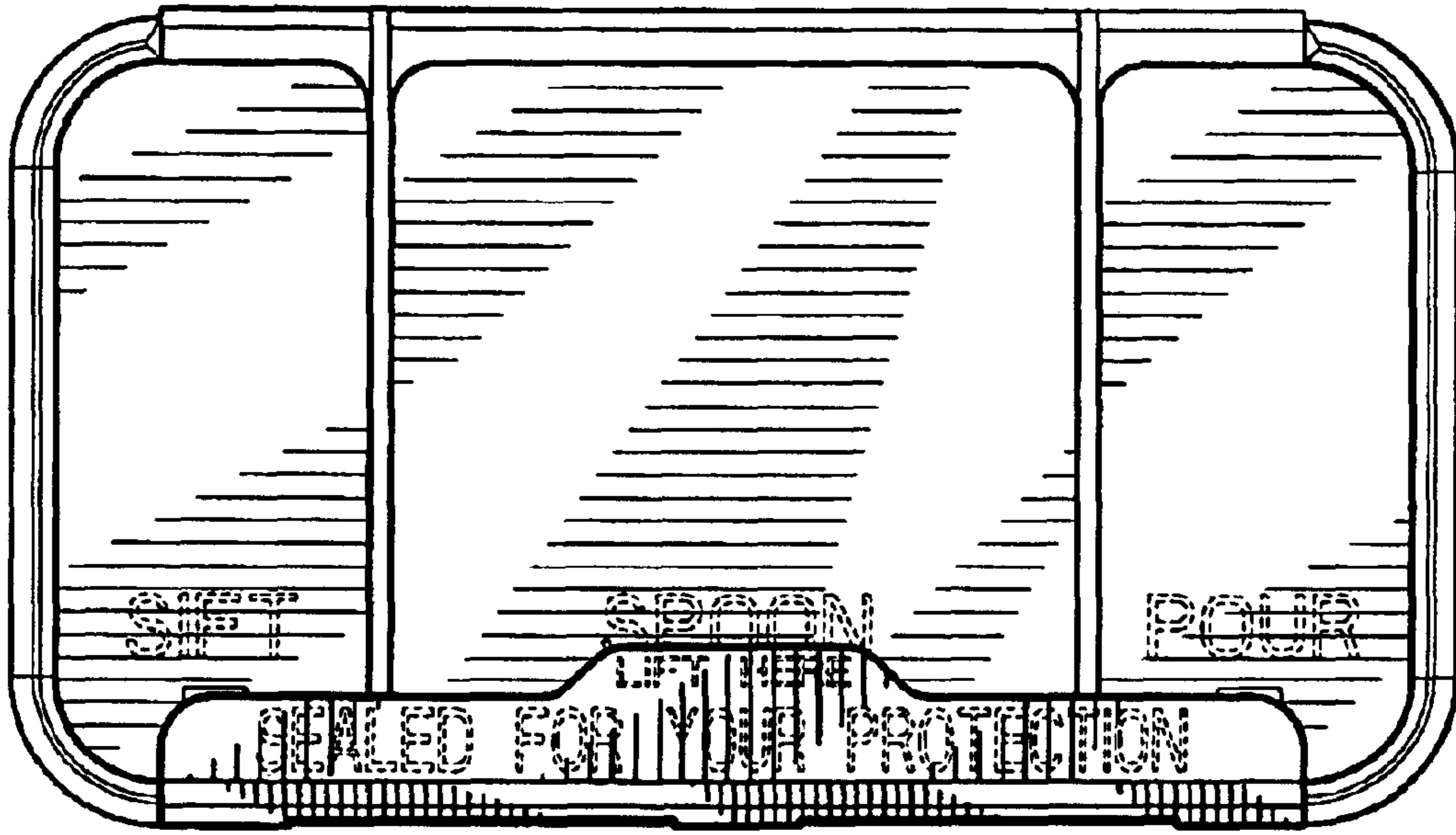


FIG. 3

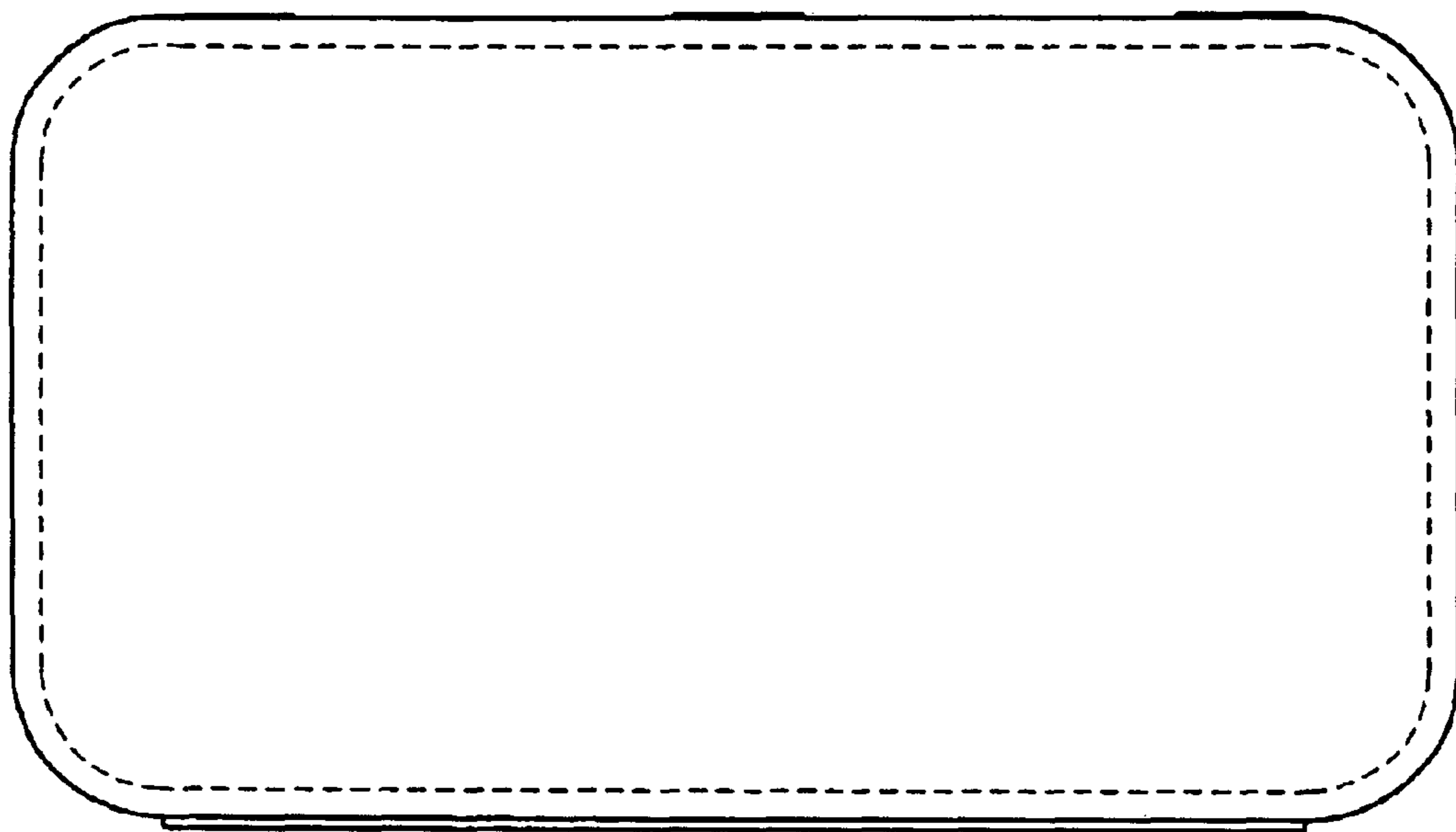


FIG. 4

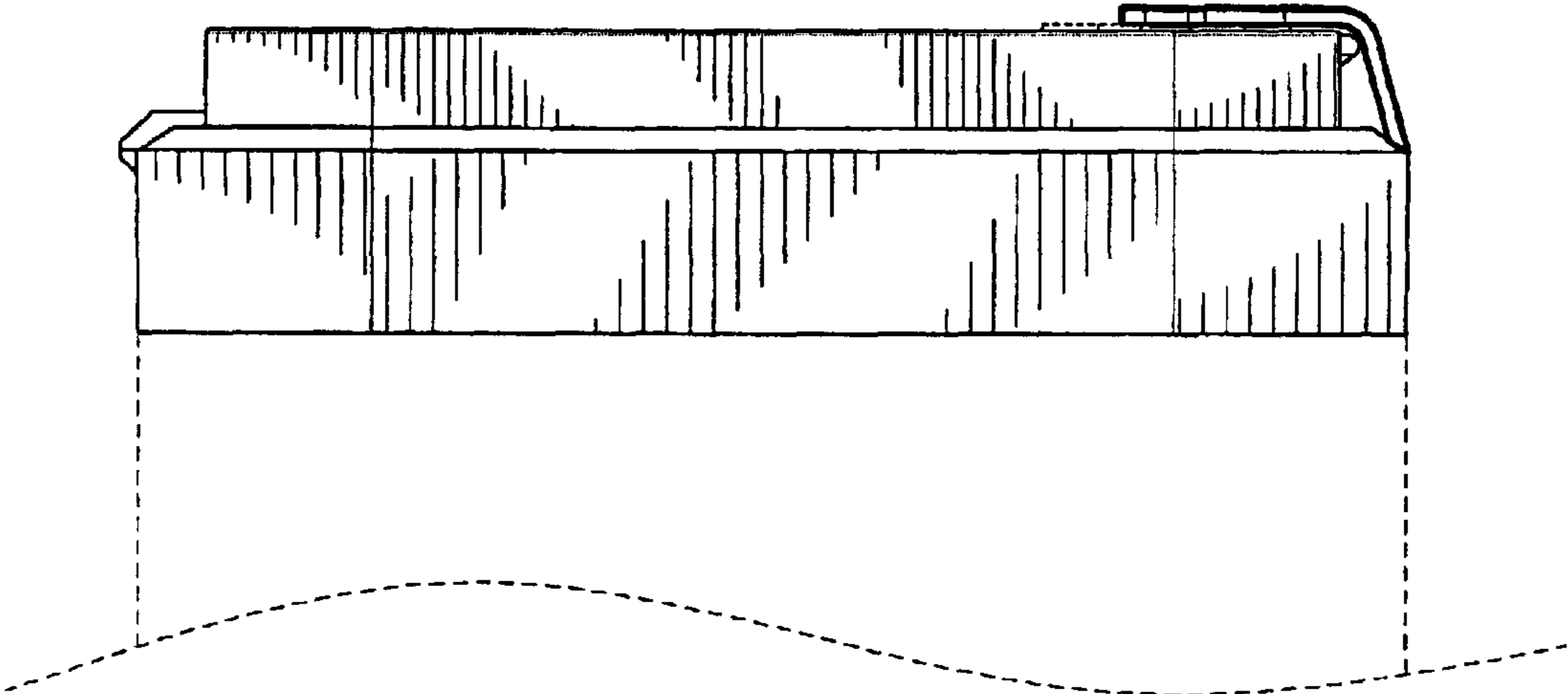


FIG. 5

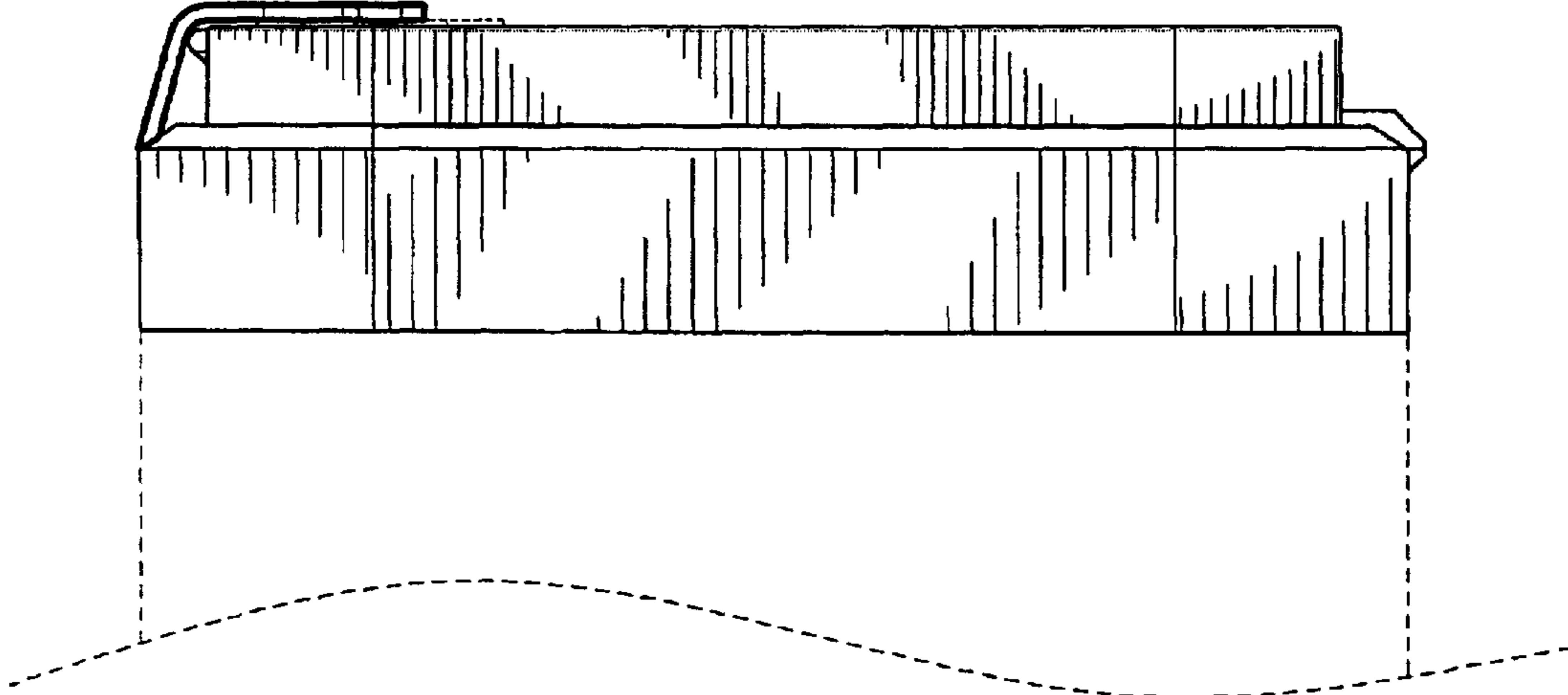


FIG. 6

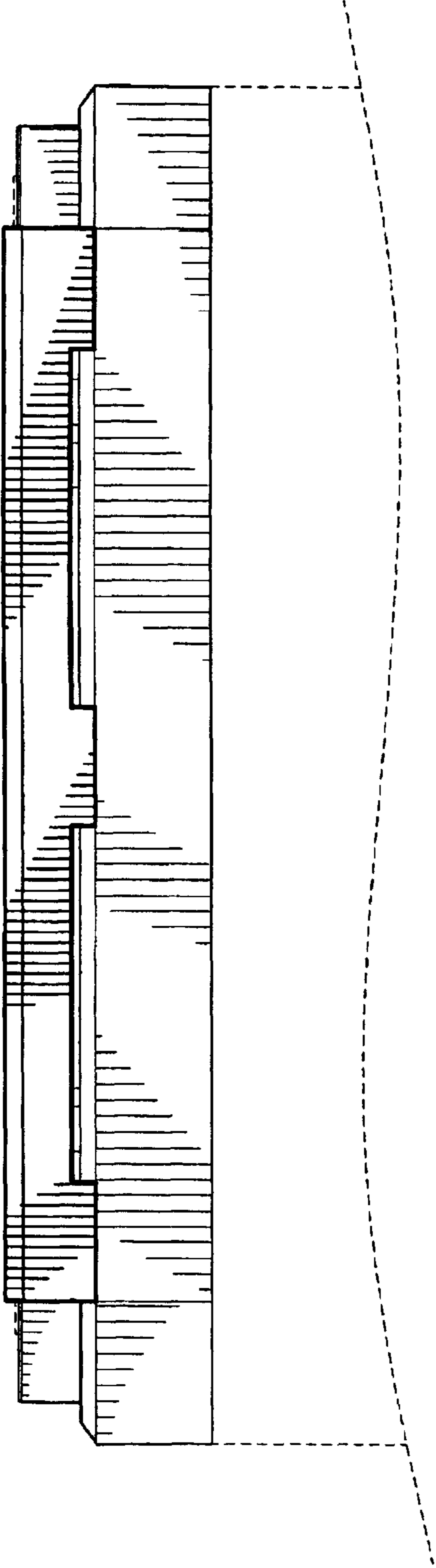


FIG. 7

