

US00D494468S1

(12) **United States Design Patent**
Vovan

(10) **Patent No.: US D494,468 S**

(45) **Date of Patent: ** Aug. 17, 2004**

(54) **FOOD DISPLAY CONTAINER COVER**

(75) **Inventor: Terry Vovan, Rialto, CA (US)**

(73) **Assignee: PWP Industries, Vernon, CA (US)**

(**) **Term: 14 Years**

(21) **Appl. No.: 29/182,765**

(22) **Filed: May 28, 2003**

(51) **LOC (7) Cl. 09-07**

(52) **U.S. Cl. D9/435; D9/452; D9/453;
D9/428; D9/429**

(58) **Field of Search D9/435, 452, 453,
D9/424-430; D7/629, 601, 602, 608, 610,
641; 206/508, 519, 518, 557, 467; 229/406,
407, 938, 902-906, 116.1; 220/556, 4.26,
4.81, 260, 212, 293, 380, 780-788, 675;
426/106, 114, 112, 113**

(56) **References Cited**

U.S. PATENT DOCUMENTS

D195,699 S * 7/1963 Bostrom D9/429
4,863,058 A * 9/1989 Antoni et al. 220/675
D342,447 S * 12/1993 Aylward D9/429

5,613,607 A * 3/1997 Kalmanides et al. 206/467
D394,005 S * 5/1998 Marijnissen D9/428
D481,801 S * 11/2003 Whitley D9/435

OTHER PUBLICATIONS

PACTIV—Fooservice/Food Packaging Product Catalog—
2002; p. 80 item C18-9901.*

* cited by examiner

Primary Examiner—Louis S. Zarfaz

Assistant Examiner—Gregory Andoll

(74) *Attorney, Agent, or Firm*—Leon D. Rosen

(57) **CLAIM**

The ornamental design for food display container cover, as
shown and described.

DESCRIPTION

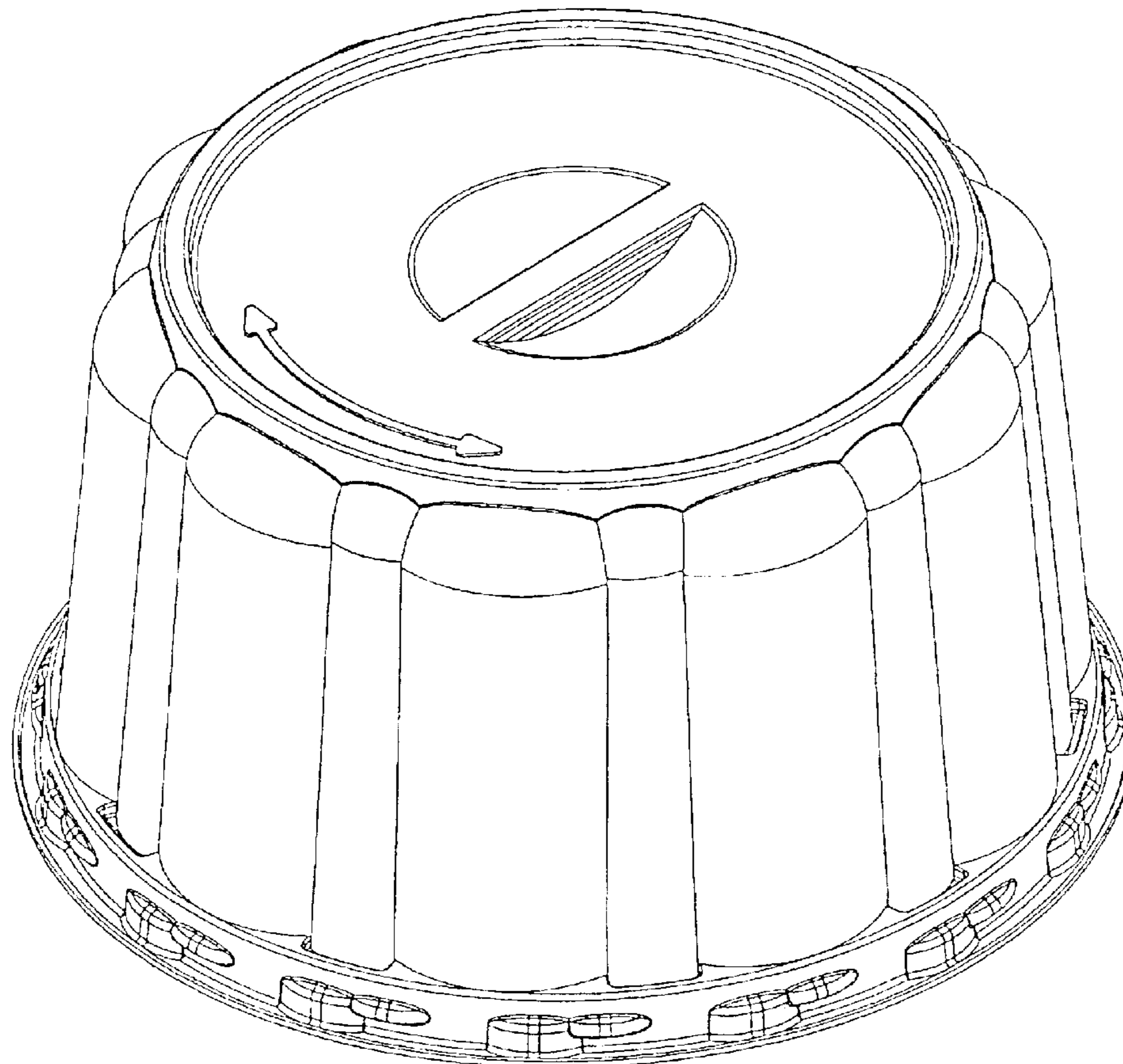
FIG. 1 is a top isometric view of a food display container
cover showing my design.

FIG. 2 is a front elevation view thereof, the rear, left side,
and right side views being identical thereto.

FIG. 3 is a plan view thereof; and,

FIG. 4 is a bottom view thereof.

1 Claim, 4 Drawing Sheets



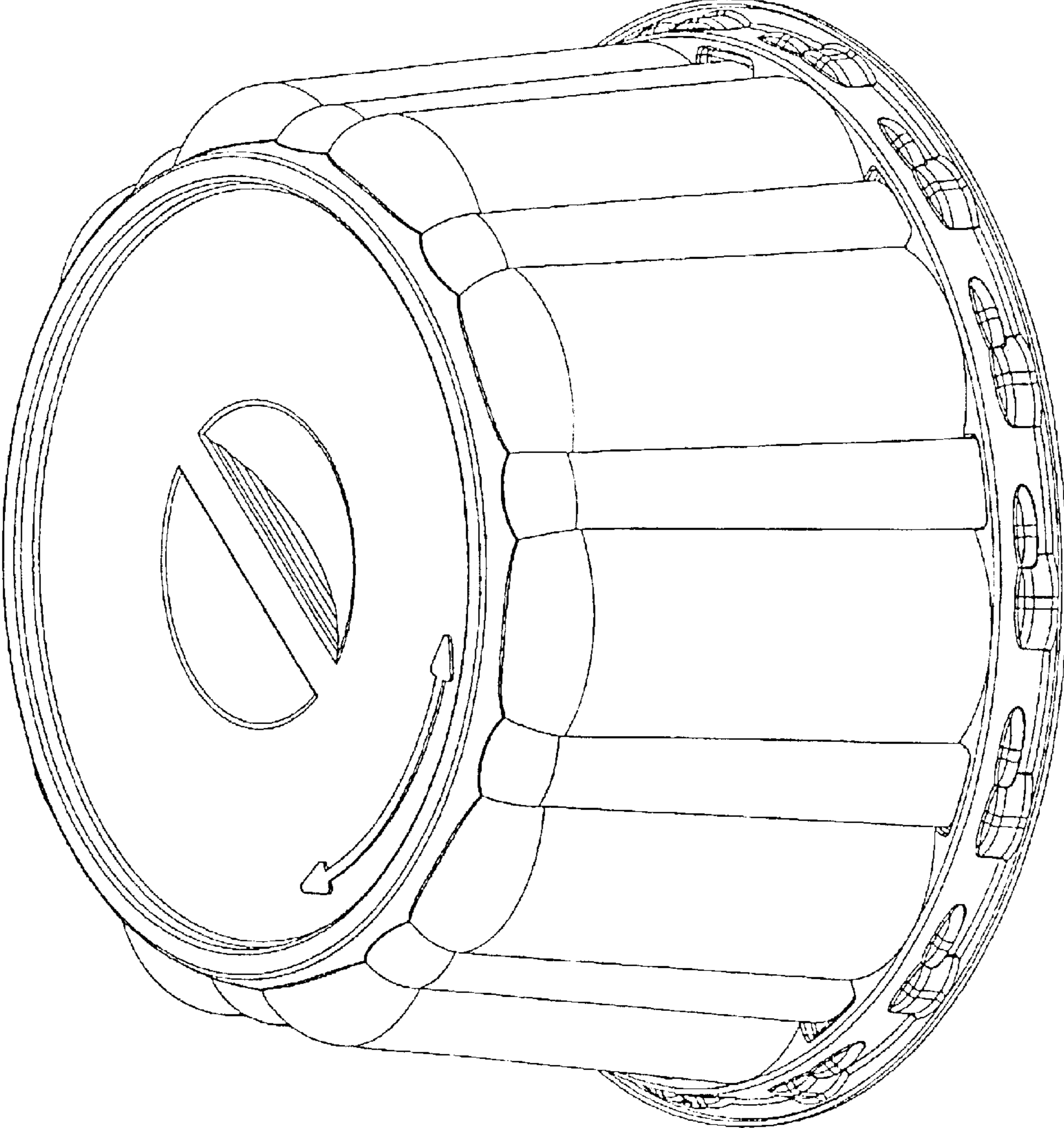


FIG.1

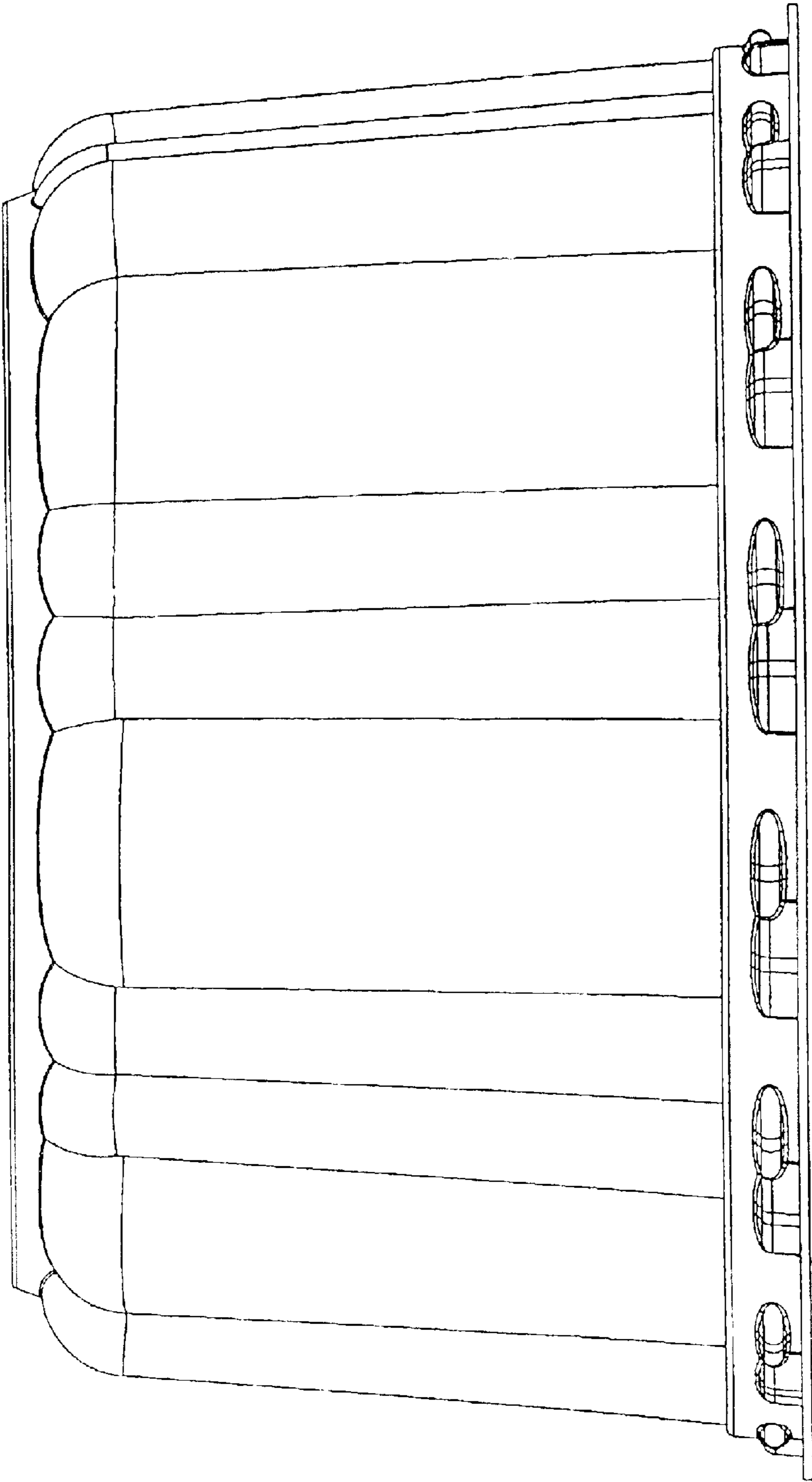


FIG. 2

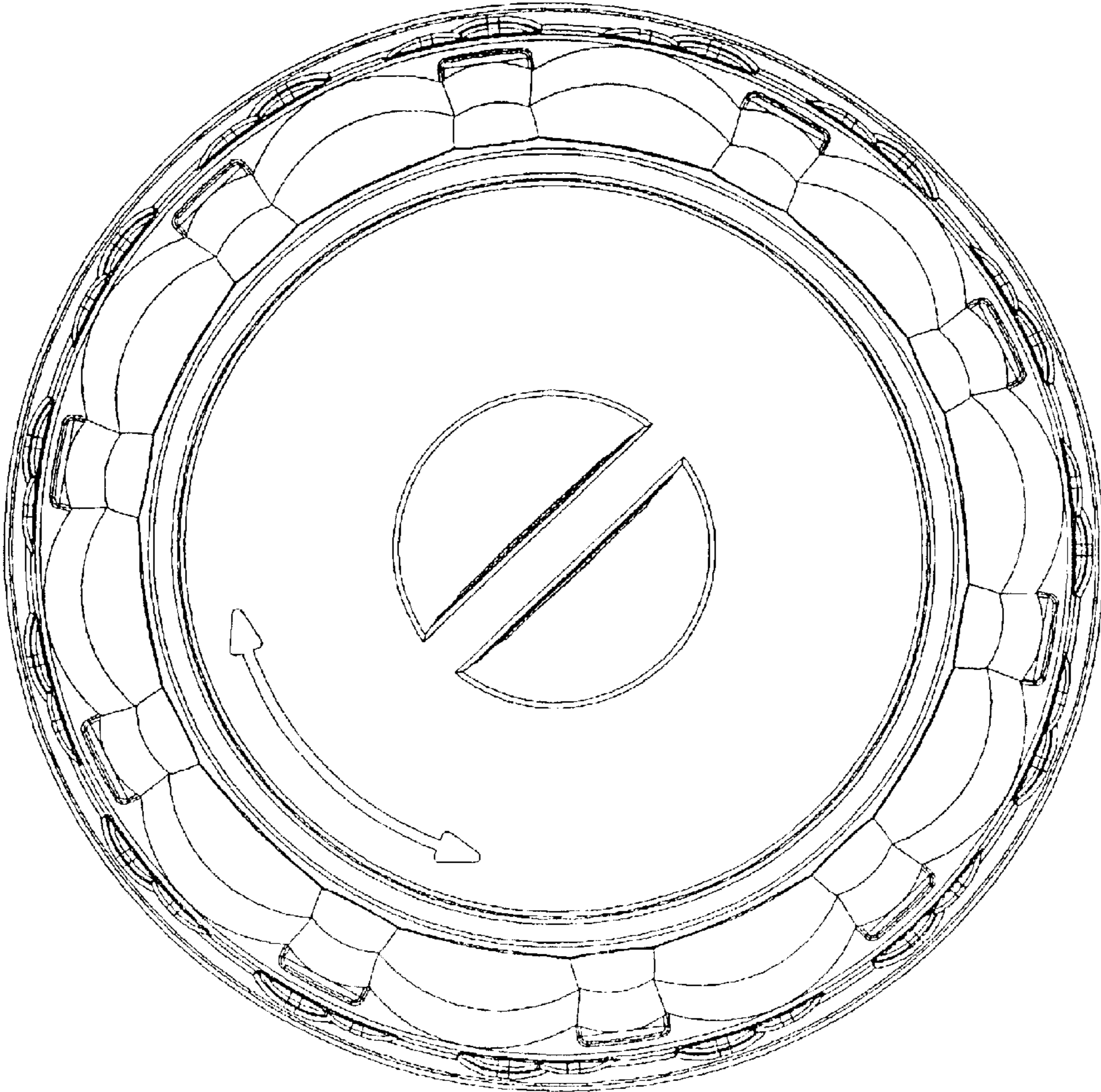


FIG. 3

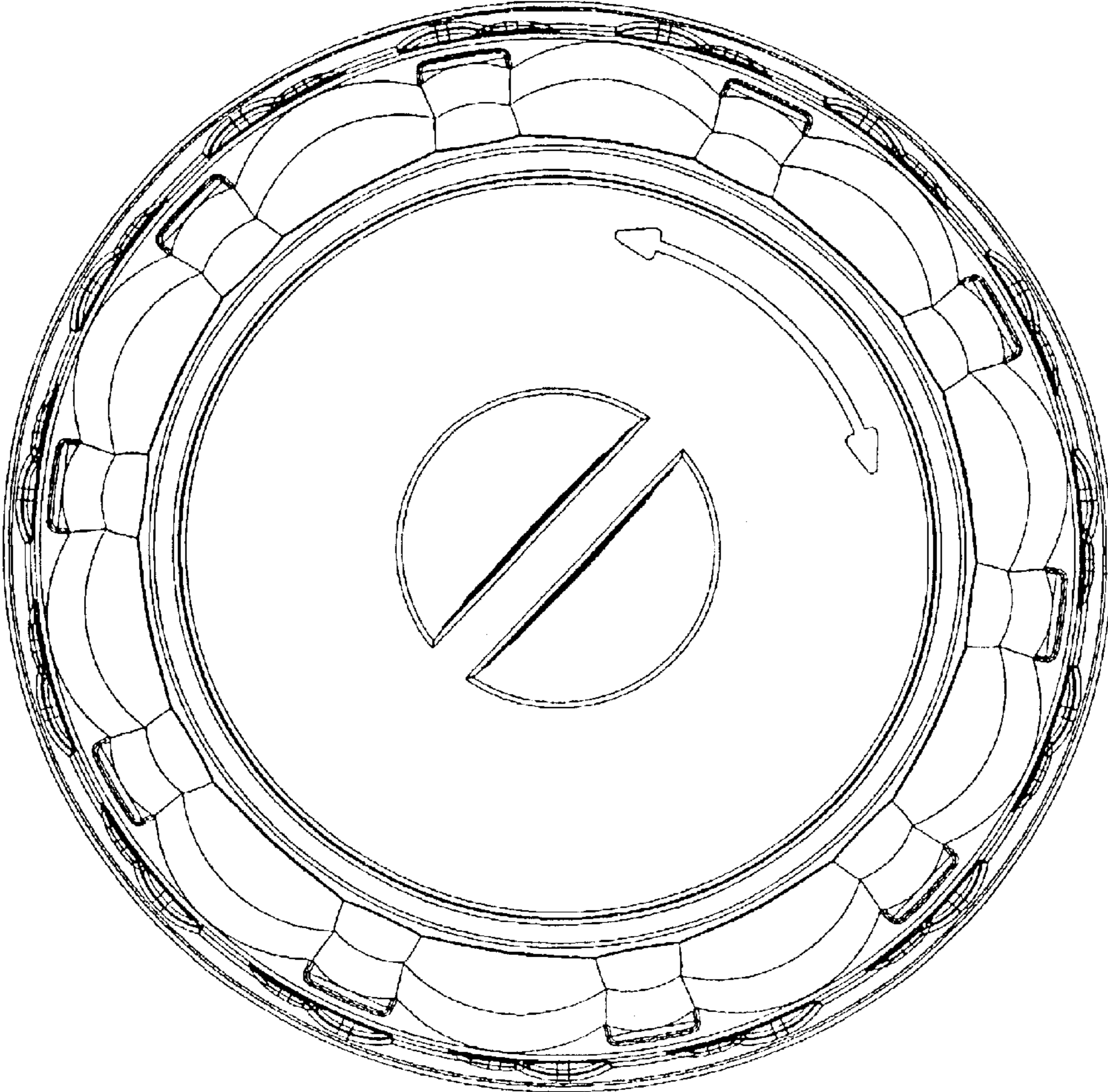


FIG. 4