

US00D494467S1

(12) **United States Design Patent**  
**Ohno**

(10) **Patent No.:** **US D494,467 S**

(45) **Date of Patent:** **\*\* Aug. 17, 2004**

(54) **COSMETIC CONTAINER**

(75) **Inventor:** **Midori Ohno, Hyogo (JP)**

(73) **Assignee:** **The Procter & Gamble Company,**  
**Cincinnati, OH (US)**

(\*\*) **Term:** **14 Years**

(21) **Appl. No.:** **29/178,788**

(22) **Filed:** **Mar. 31, 2003**

(30) **Foreign Application Priority Data**

Oct. 3, 2002 (GB) ..... 3007486

(51) **LOC (7) Cl.** ..... **09-03**

(52) **U.S. Cl.** ..... **D9/433; D9/432**

(58) **Field of Search** ..... D9/433, 414, 420,  
D9/430-432, 499; 206/1.5, 223, 527, 784;  
220/62, 890, 836, 837; 229/100, 124, 126,  
800, 125.37

(56) **References Cited**

**U.S. PATENT DOCUMENTS**

- 524,078 A \* 8/1894 Walker ..... 229/116.4
- 1,682,594 A \* 8/1928 Benjamin ..... 446/79
- 2,041,932 A \* 5/1936 Hutchins, Jr. .... 229/125.37
- 4,828,164 A \* 5/1989 Passamoni ..... 229/102.5
- 6,135,289 A \* 10/2000 Miller ..... 206/774

- D437,222 S \* 2/2001 Goldberg ..... D9/432
- 6,305,533 B1 \* 10/2001 Welty et al. .... 206/278
- 6,494,316 B1 \* 12/2002 Bloch et al. .... 206/45.2

\* cited by examiner

*Primary Examiner*—Prabhakar Deshmukh

*Assistant Examiner*—Daniel Bui

(74) *Attorney, Agent, or Firm*—Eileen L. Hughett; John M. Howell; Tara M. Rosnell

(57) **CLAIM**

The ornamental design for a cosmetic container, as shown and described.

**DESCRIPTION**

FIG. 1 is a front elevation view of a cosmetic container, showing my new design;  
 FIG. 2 is a backside elevation view thereof;  
 FIG. 3 is a left side elevation view thereof;  
 FIG. 4 is a right side elevation view thereof;  
 FIG. 5 is a top plan view thereof;  
 FIG. 6 is a bottom plan view thereof;  
 FIG. 7 is a top plan view thereof, in unfolded condition; and,  
 FIG. 8 is a perspective view thereof; in folded condition, and with the top portion in an open position.  
 In the drawing, the dash-dot lines represent the fold lines, and the broken lines represent the perforation lines.

**1 Claim, 3 Drawing Sheets**

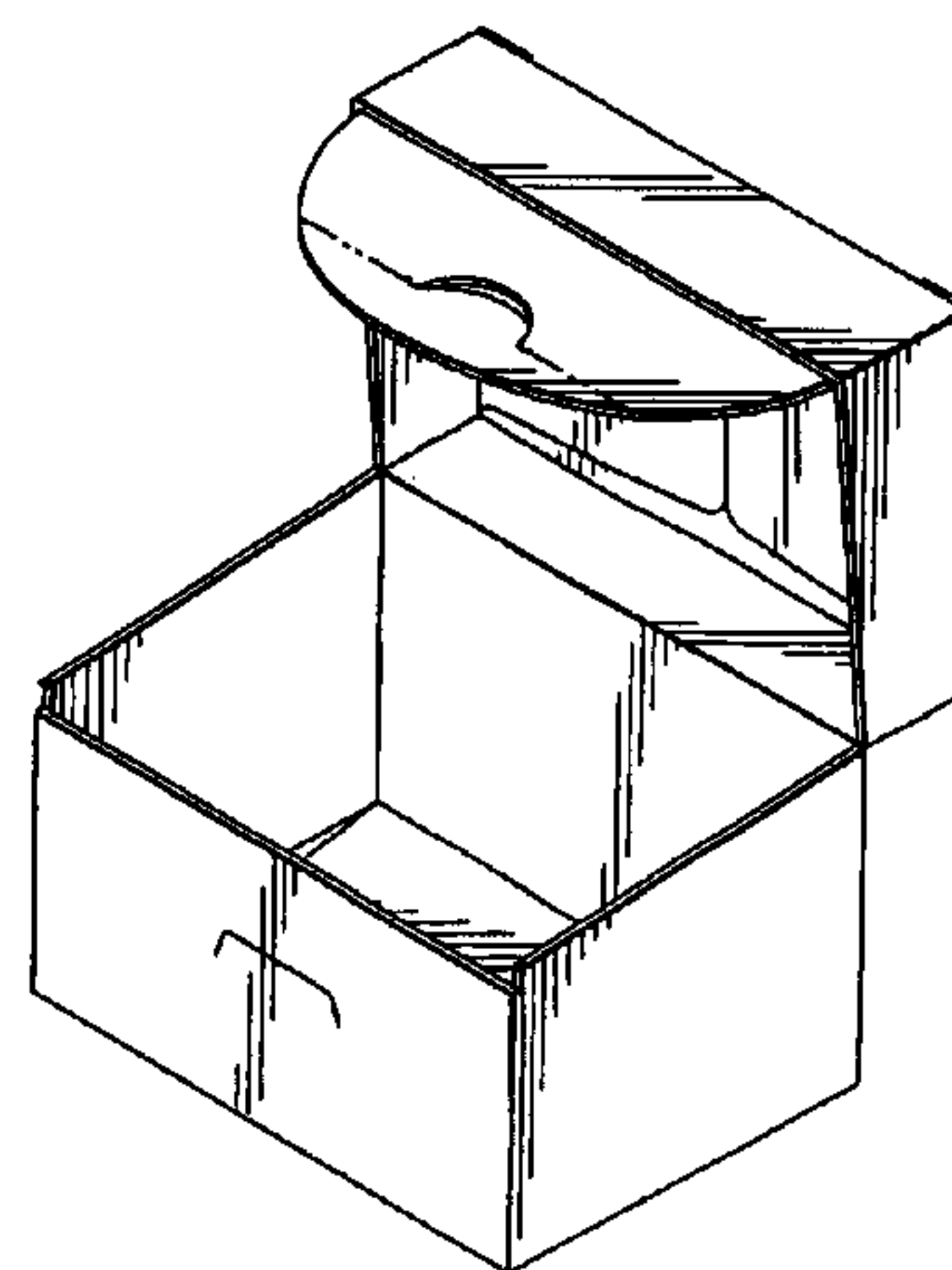
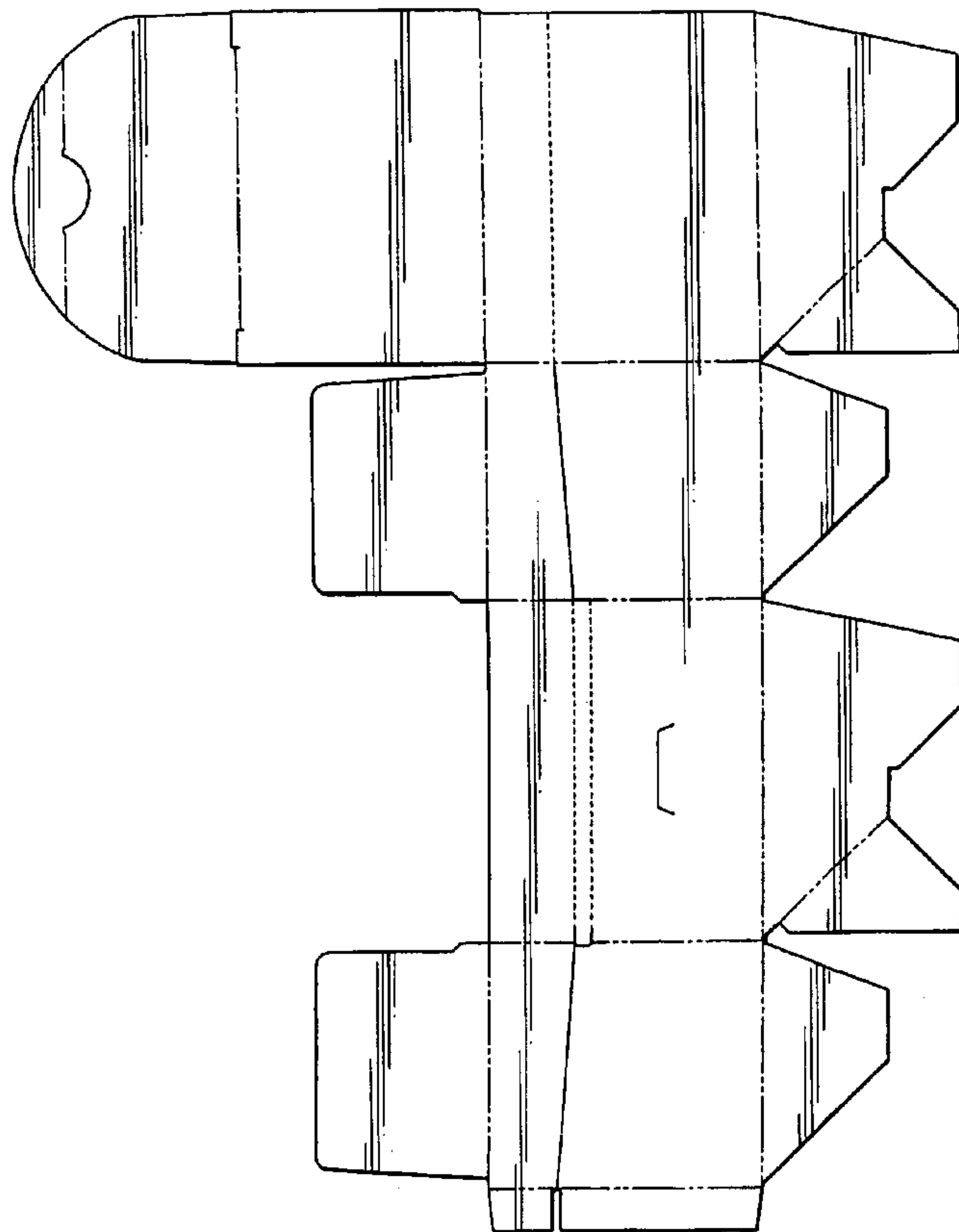


Fig.1.

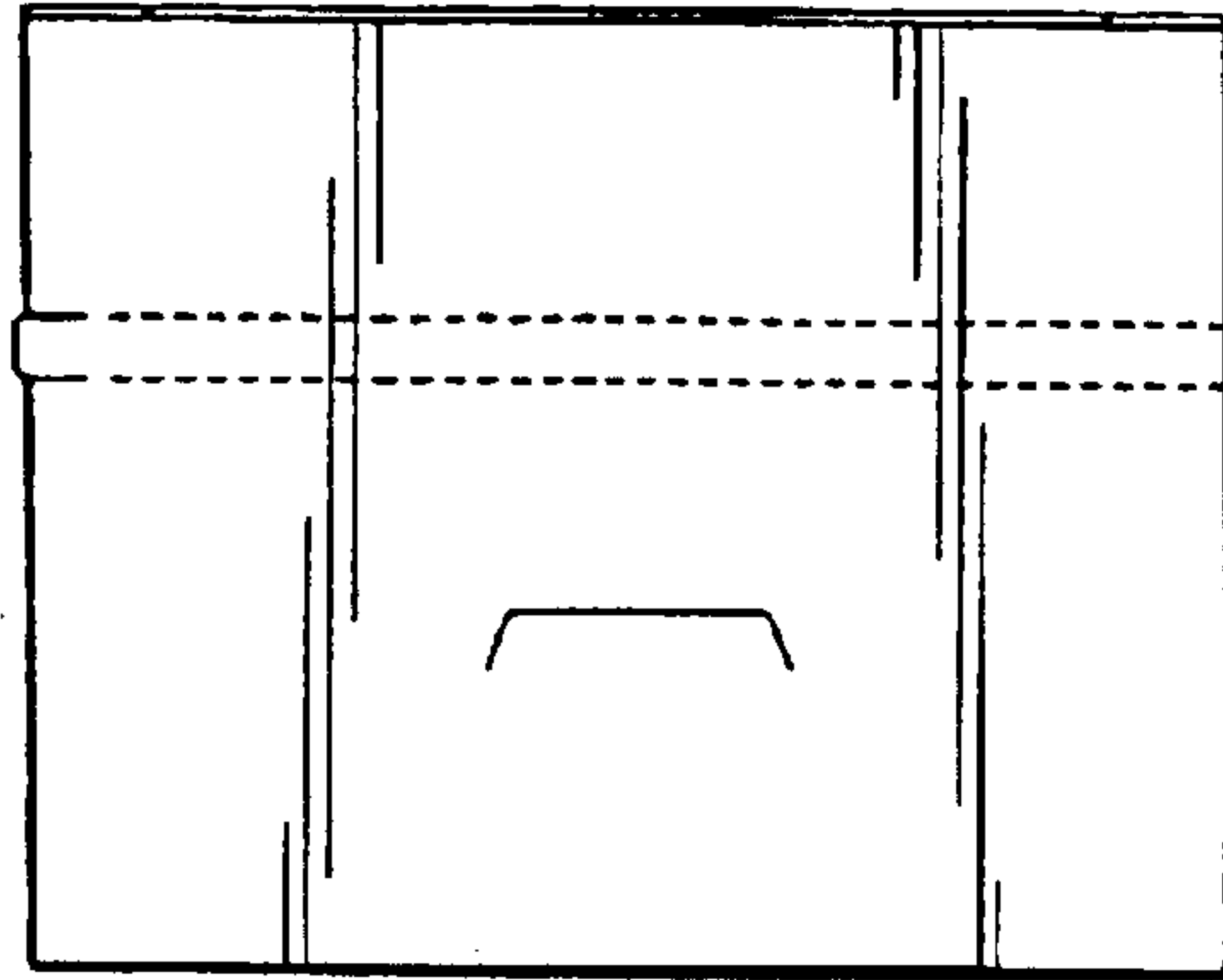


Fig.2.

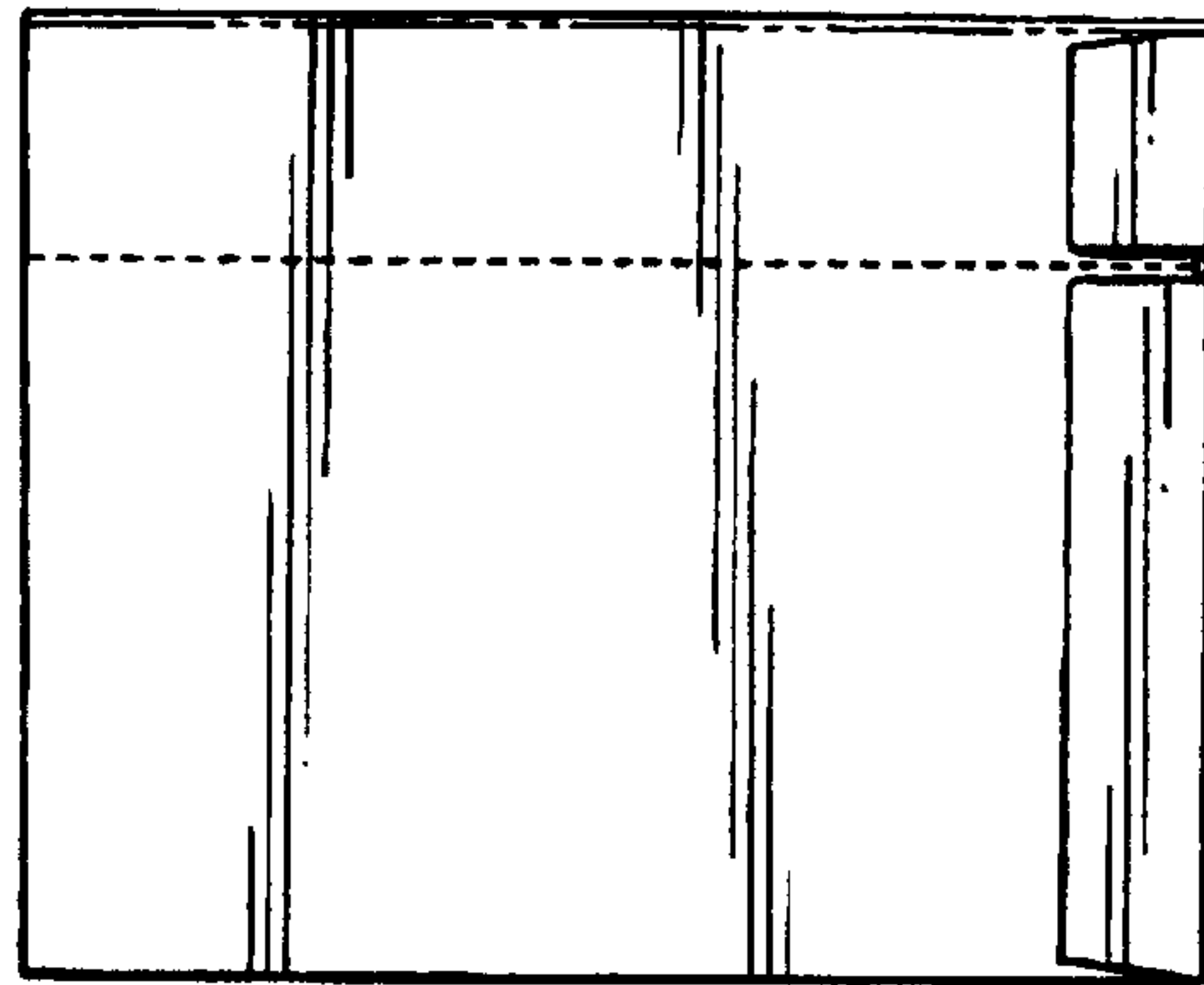


Fig.3.

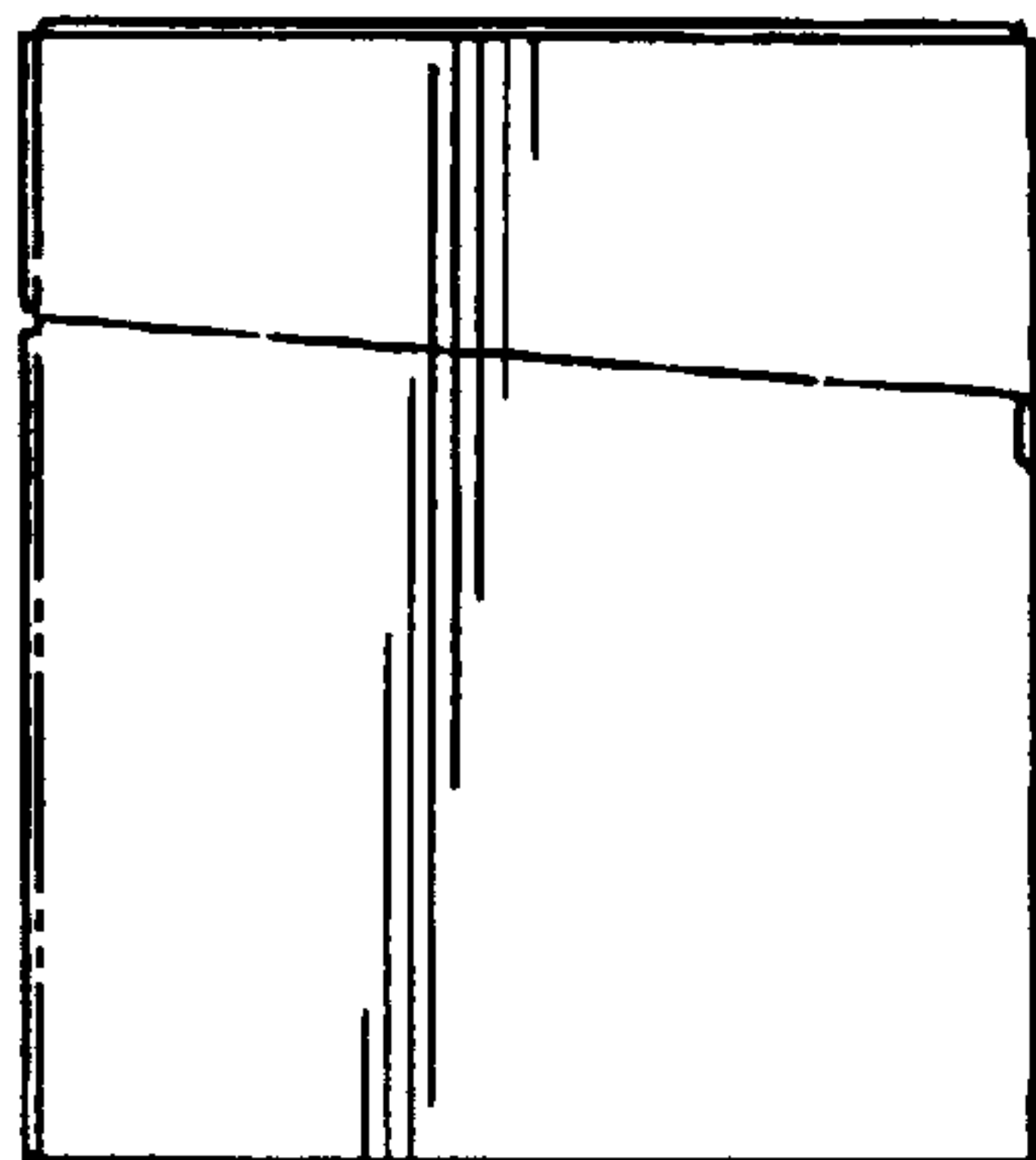


Fig.4.

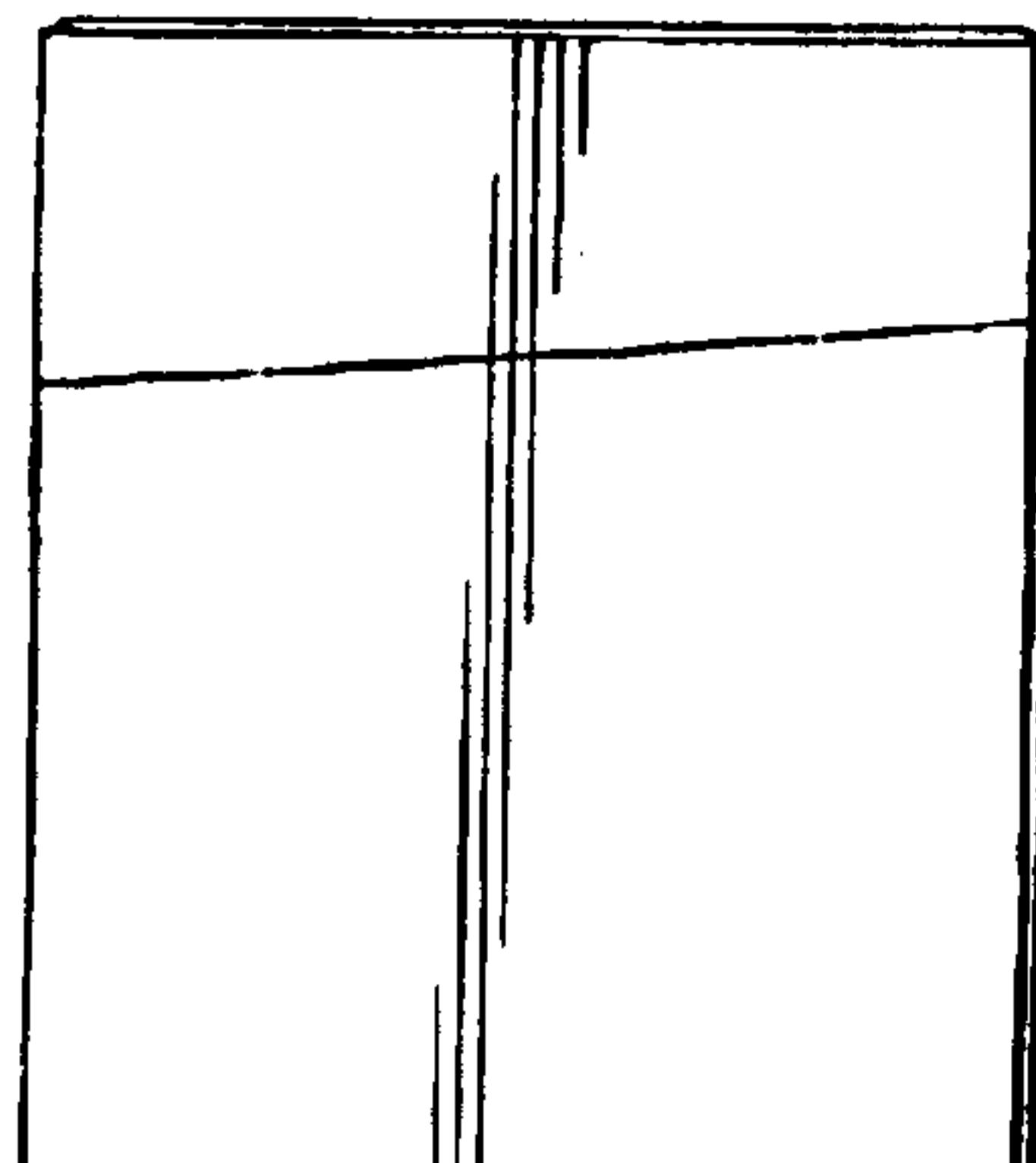


Fig.5.

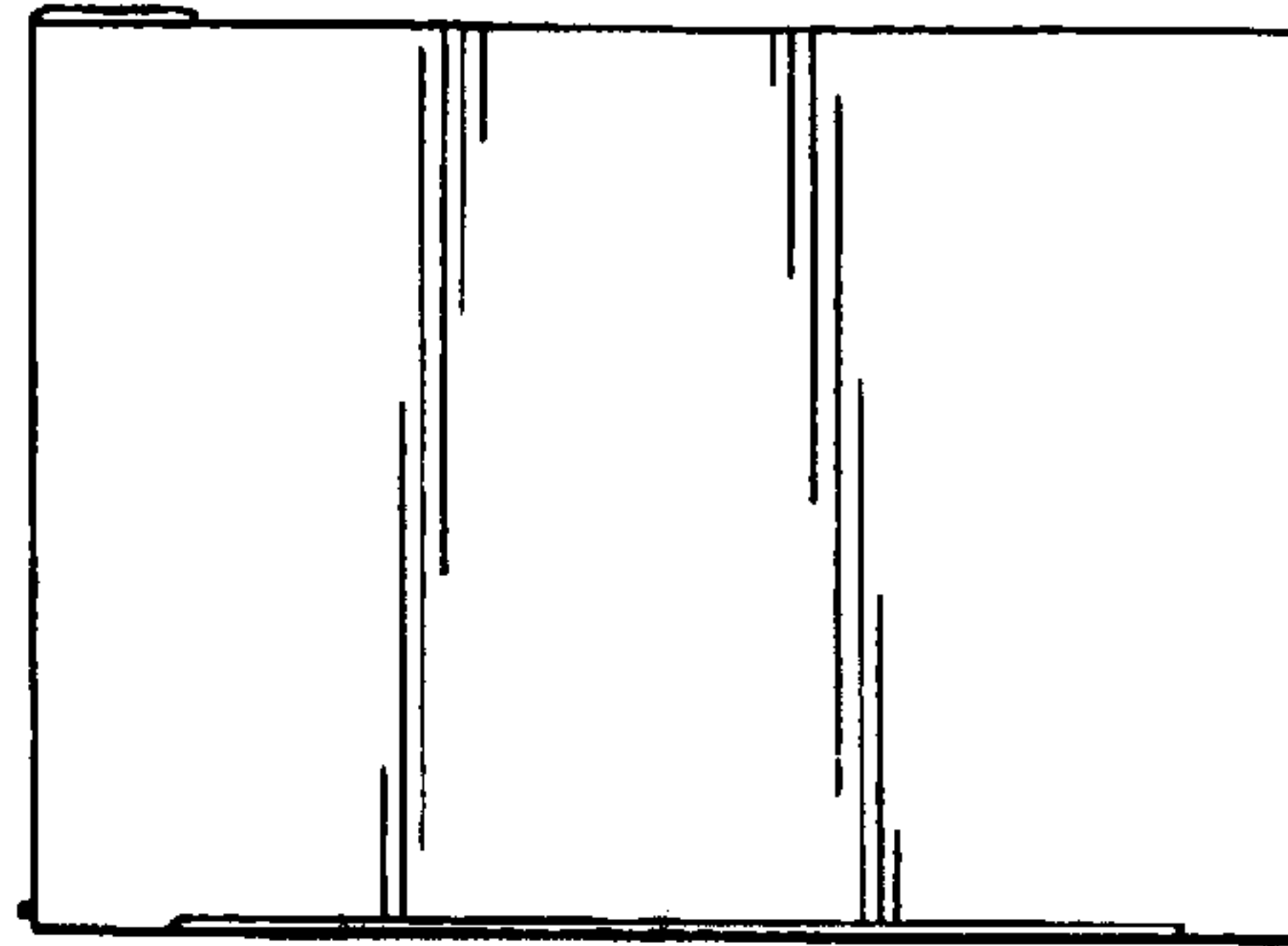


Fig.6.

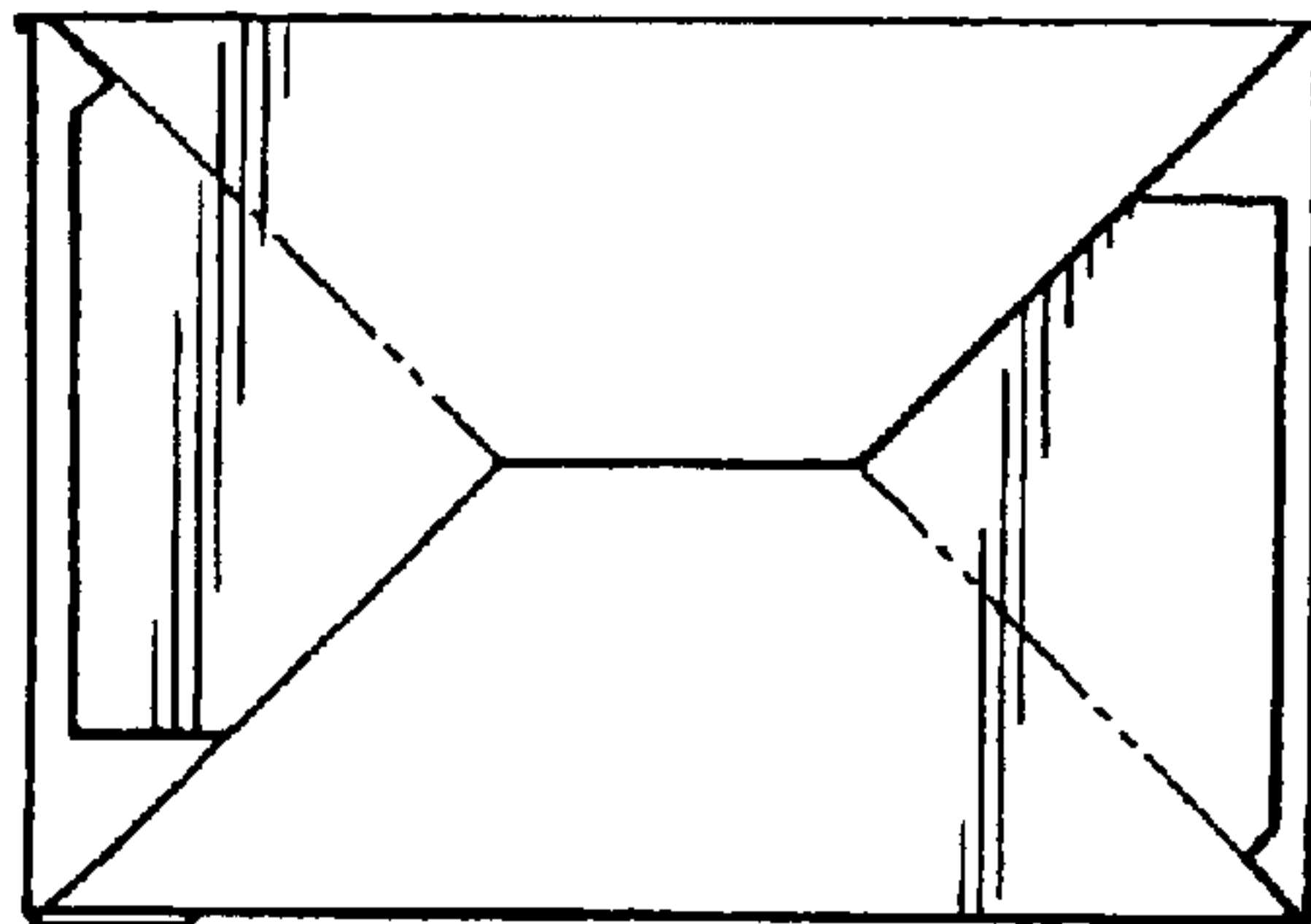


Fig.8.

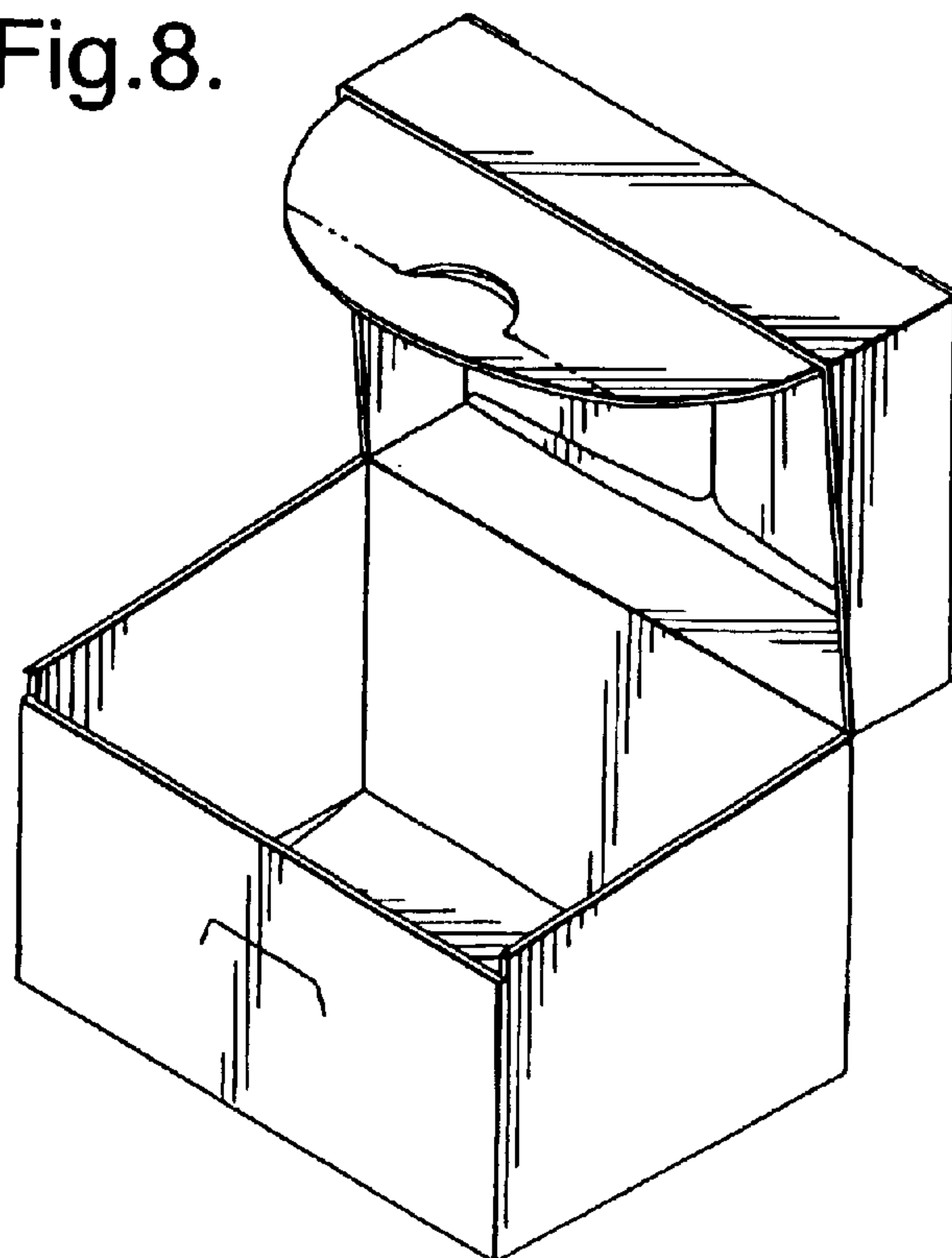


Fig.7.

