

US00D494464S1

(12) **United States Design Patent** (10) **Patent No.:** **US D494,464 S**
Kumakura et al. (45) **Date of Patent:** **** Aug. 17, 2004**

(54) **CONTAINER FOR DRY BATTERIES**

6,364,115 B1 4/2002 Casanova et al.
D483,261 S * 12/2003 Stanley D9/415

(75) Inventors: **Katsuhiko Kumakura**, Kyoto (JP);
Yoshikazu Yukami, Yao (JP); **Masaru Kanda**, Nara (JP)

FOREIGN PATENT DOCUMENTS

JP D1070266 5/2000
WO WO 02/38470 5/2002

(73) Assignee: **Matsushita Electric Industrial Co., Ltd.**, Osaka (JP)

* cited by examiner

(**) Term: **14 Years**

Primary Examiner—Prabhakar Deshmukh
(74) *Attorney, Agent, or Firm*—Brinks Hofer Gilson & Lione

(21) Appl. No.: **29/185,127**

(22) Filed: **Jun. 23, 2003**

(57) **CLAIM**

(30) **Foreign Application Priority Data**

The ornamental design for a container for dry batteries, as shown and described.

Jan. 15, 2003 (JP) 2003-000716

DESCRIPTION

(51) **LOC (7) Cl.** **09-07**

(52) **U.S. Cl.** **D9/415**

(58) **Field of Search** D9/414, 415, 418,
D9/337, 341; 206/461-471, 495, 806, 775-783,
703-705; 224/902

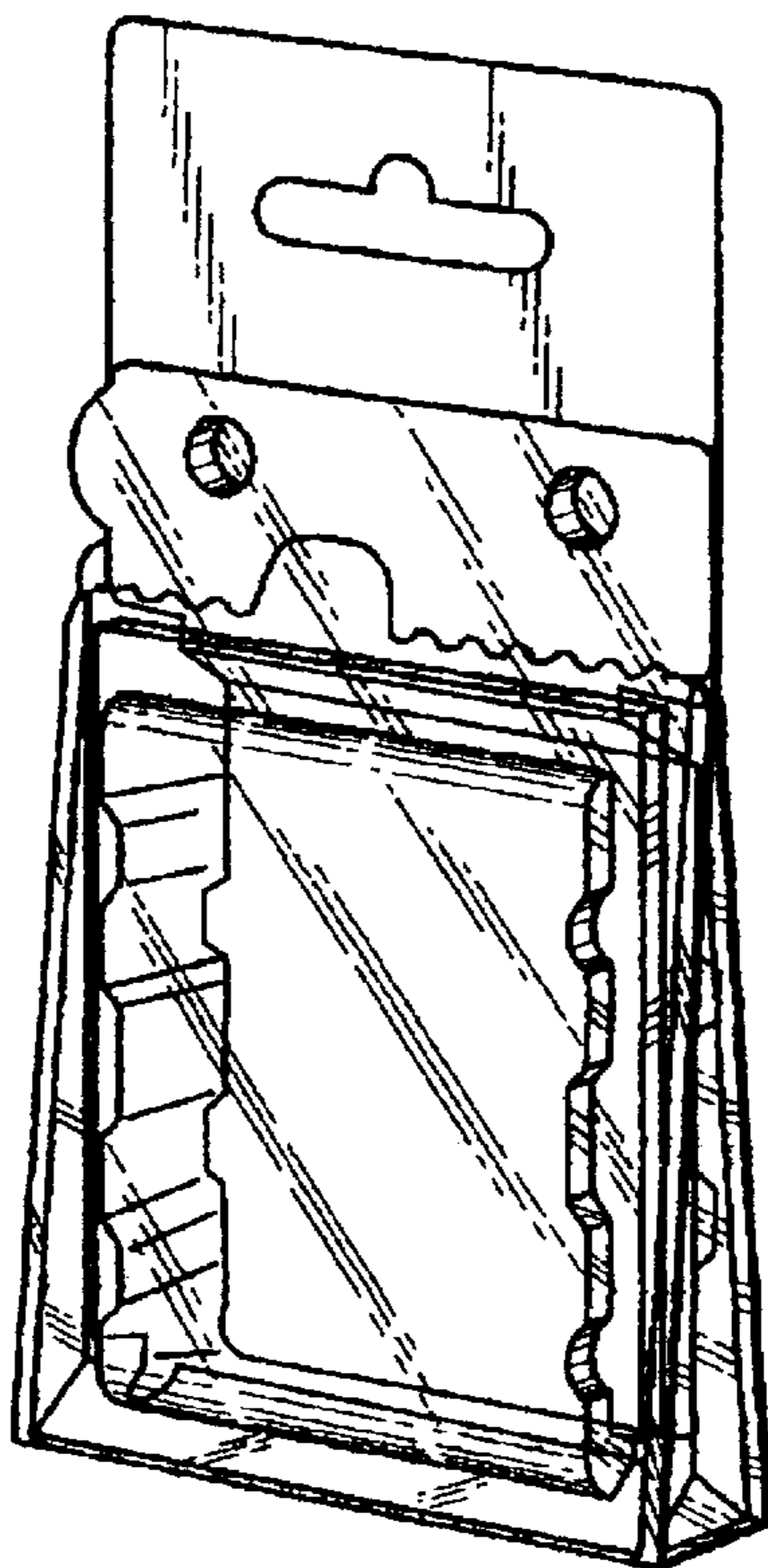
FIG. 1 is a top perspective view of a container for dry batteries of the present invention in a closed position;
FIG. 2 is a front view thereof;
FIG. 3 is a rear view thereof;
FIG. 4 is a first side view thereof;
FIG. 5 is a second side view thereof;
FIG. 6 is a top view thereof;
FIG. 7 is a bottom view thereof;
FIG. 8 is a top view of a first portion for the container for dry batteries of the present invention in an open position; and,
FIG. 9 is a top view of a second portion for the container for dry batteries of the present invention in an open position.

(56) **References Cited**

U.S. PATENT DOCUMENTS

D222,581 S * 11/1971 Nakakuma D9/345
D302,662 S * 8/1989 Calcerano et al. D9/415
4,958,731 A * 9/1990 Calcerano 206/705
5,143,215 A * 9/1992 Hartley et al. 206/705
5,735,404 A * 4/1998 Kumakura et al. 206/469
D427,523 S * 7/2000 Calcerano D9/415
6,244,444 B1 6/2001 Jacobus et al.

1 Claim, 8 Drawing Sheets



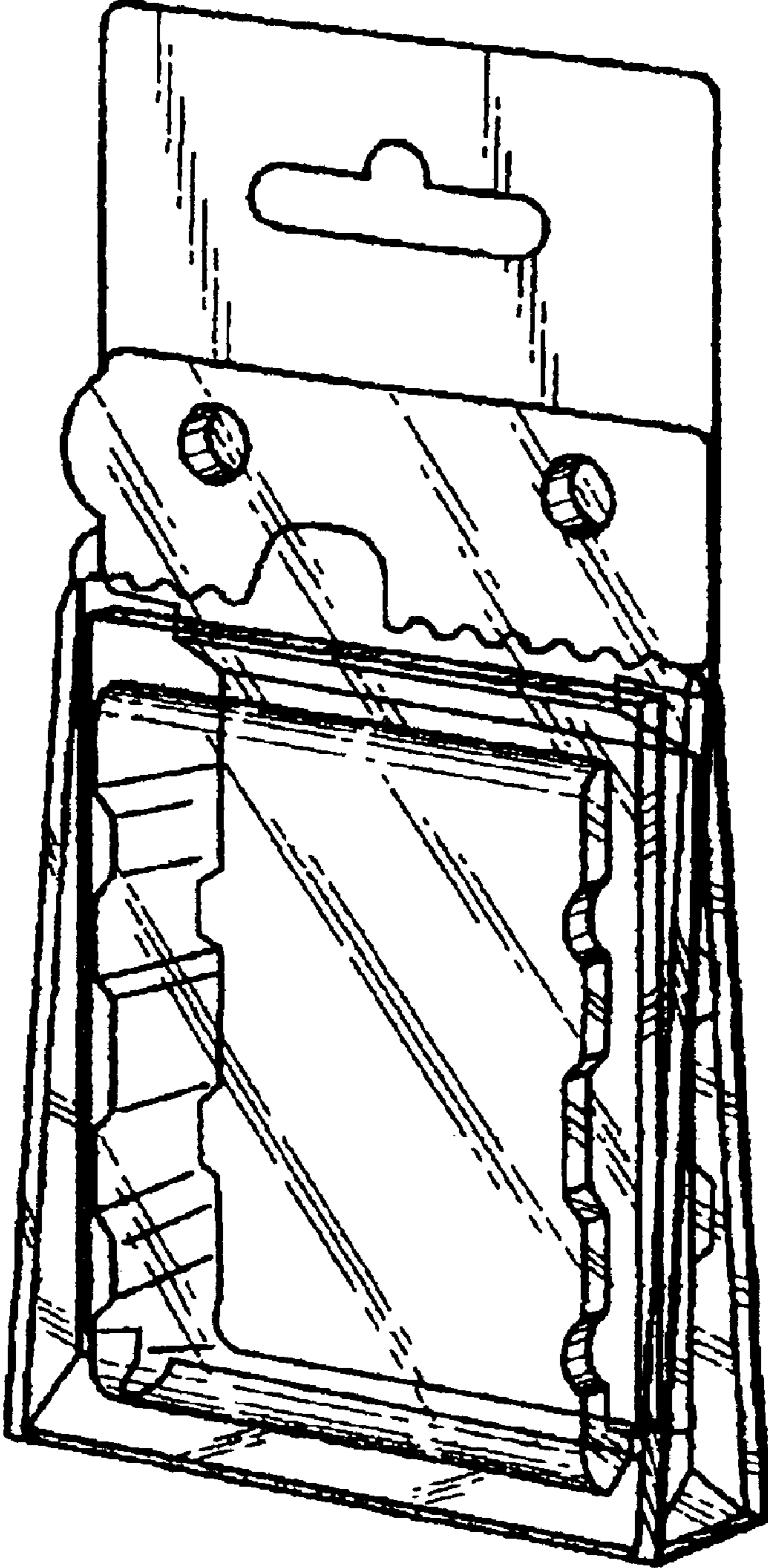


FIG. 1

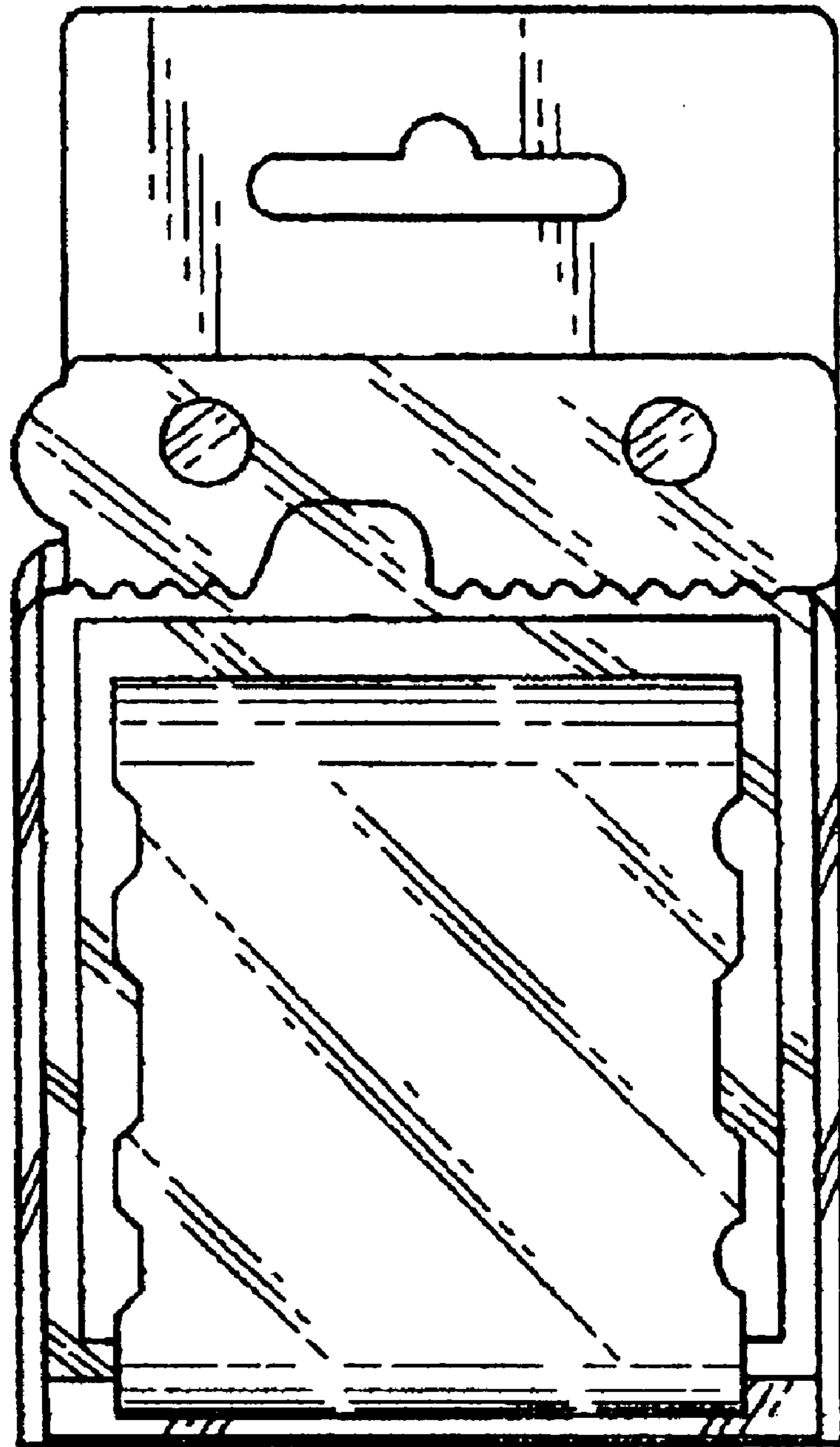


FIG. 2

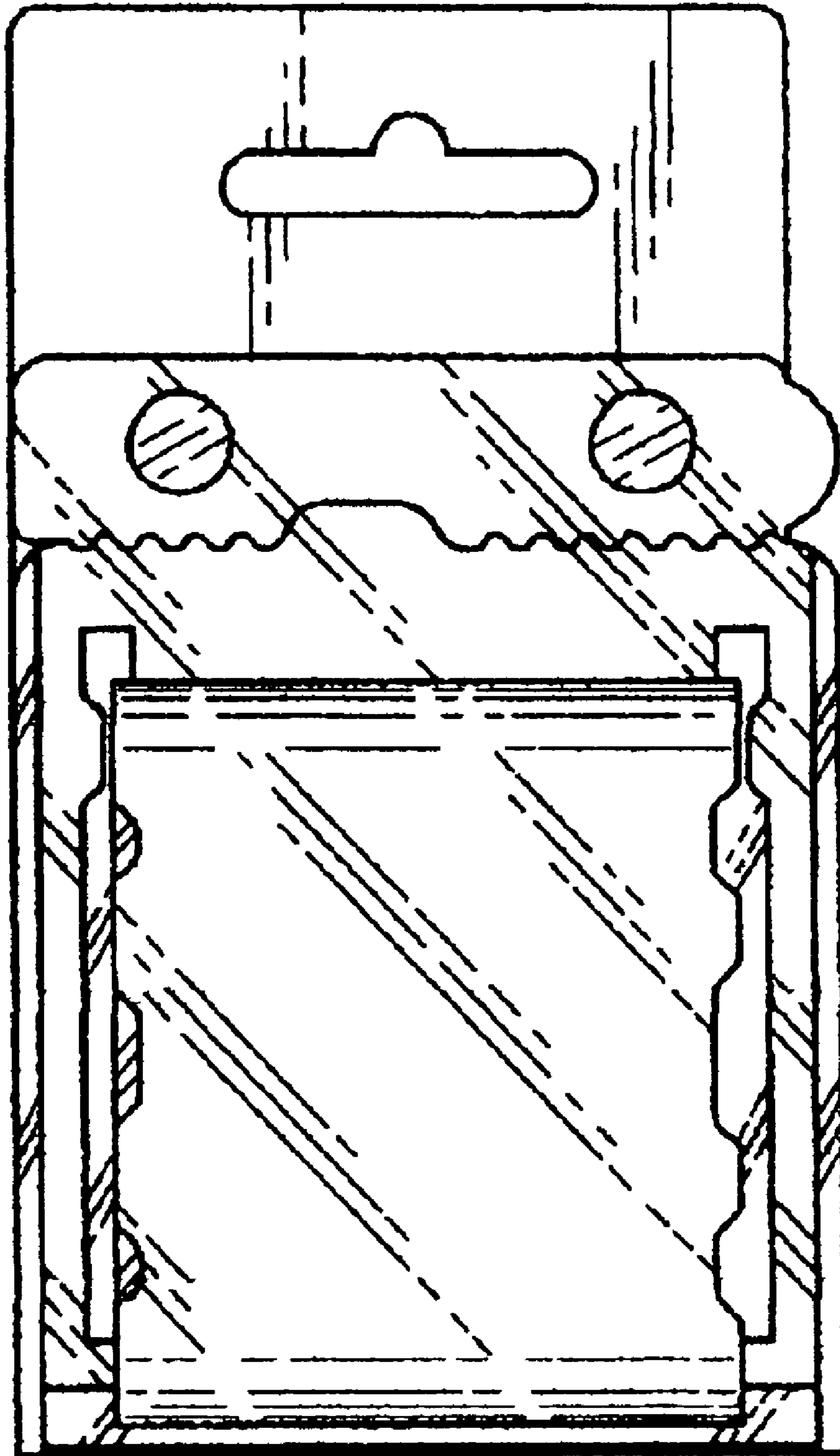


FIG. 3

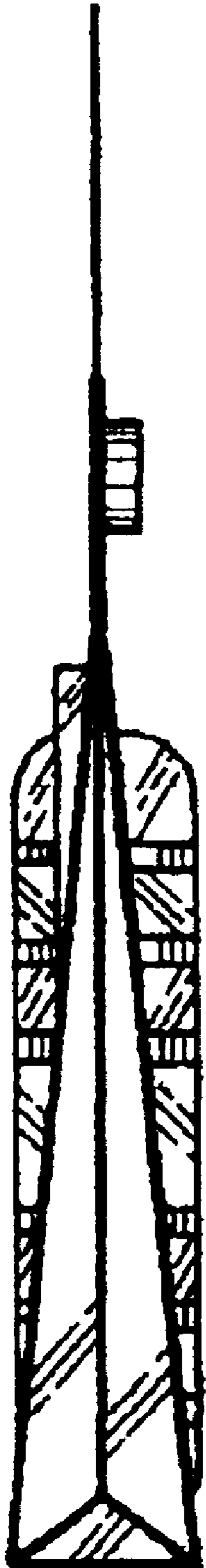


FIG. 4

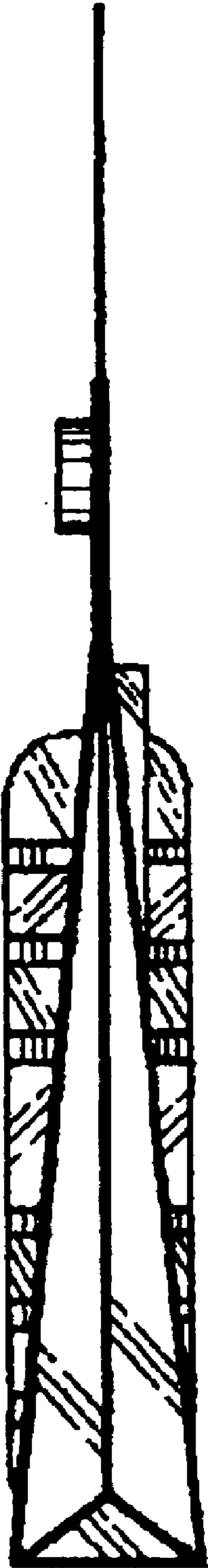


FIG. 5

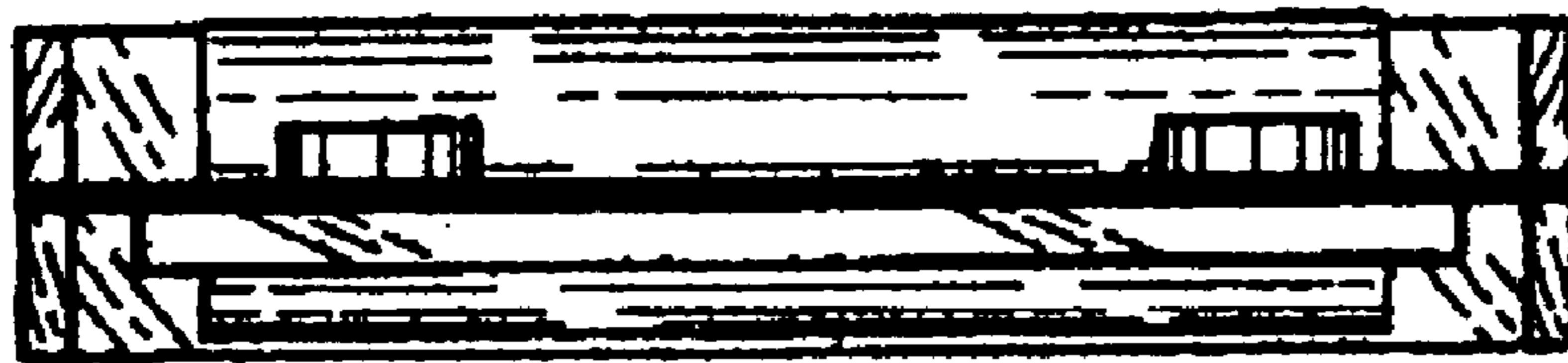


FIG. 6

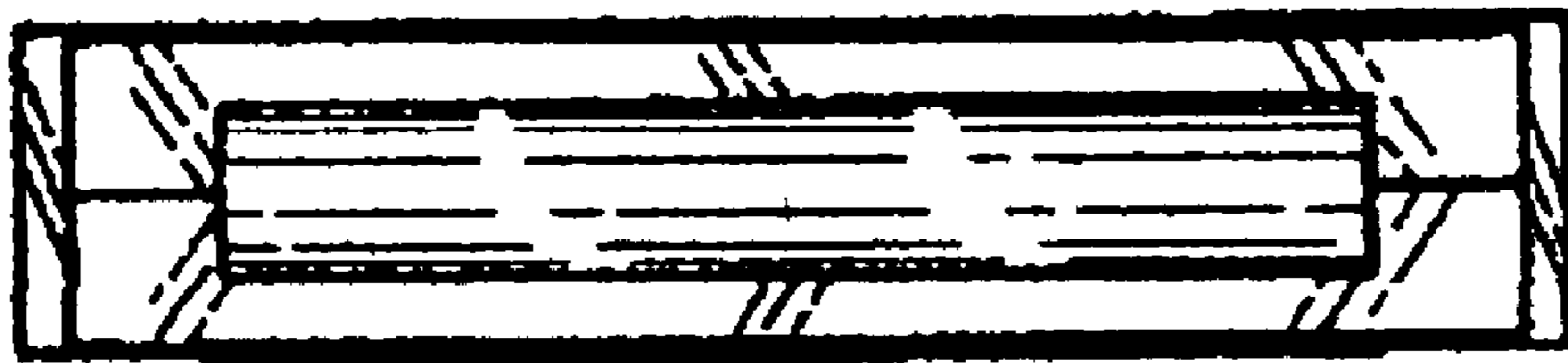


FIG. 7

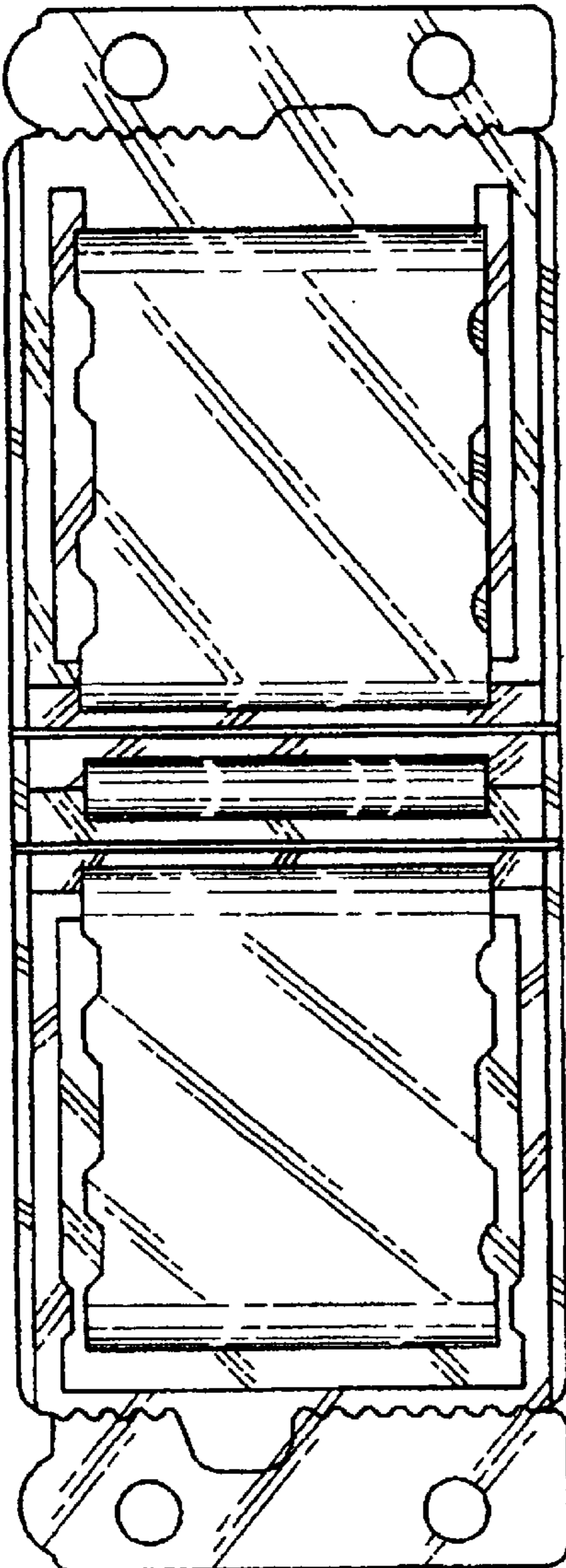


FIG. 8

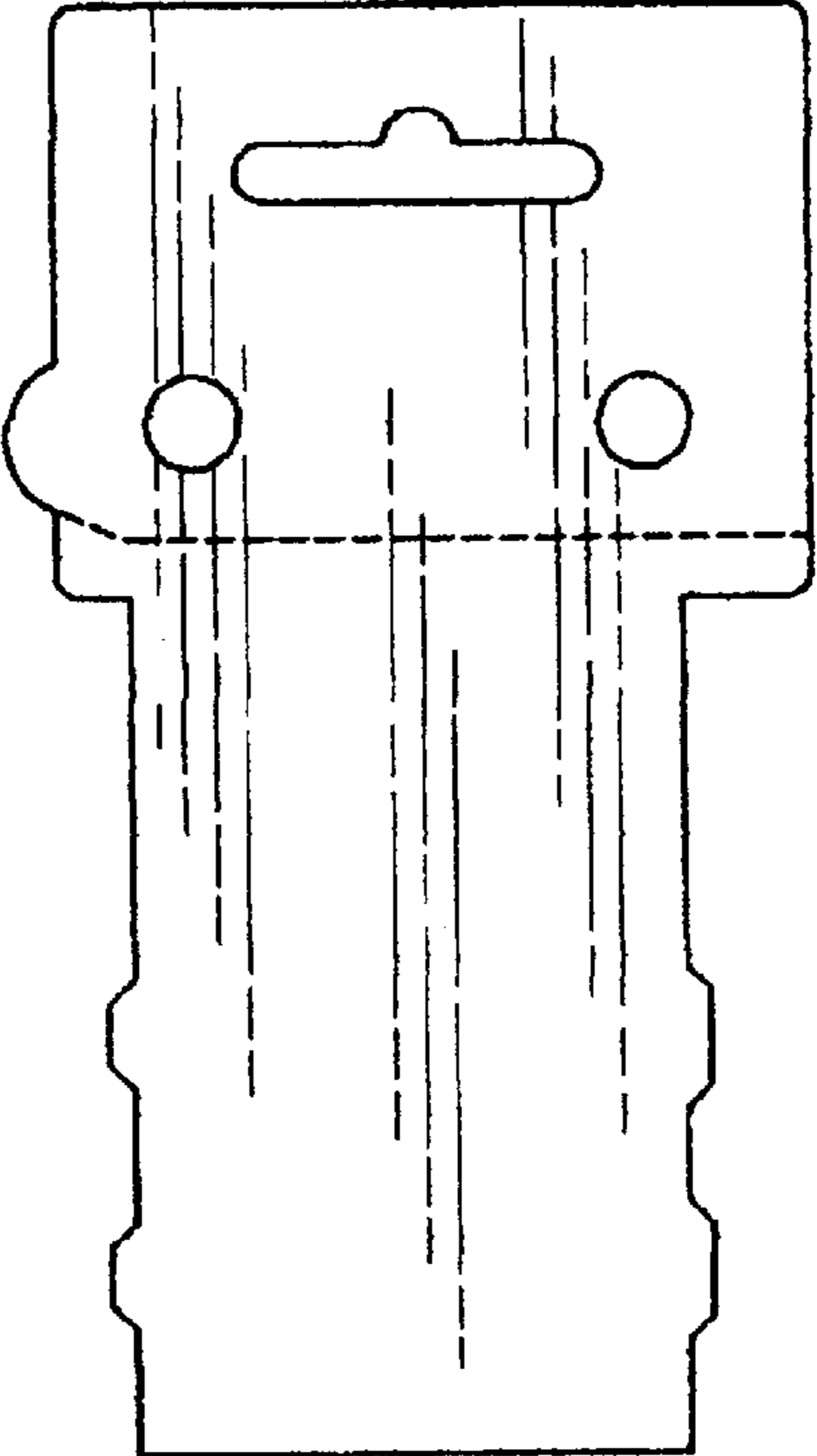


FIG. 9