

US00D494458S1

(12) **United States Design Patent** (10) **Patent No.:** **US D494,458 S**  
**Aukzemas et al.** (45) **Date of Patent:** **\*\* Aug. 17, 2004**

(54) **LOW PROFILE CAPTIVE SCREW**

(75) Inventors: **Thomas V. Aukzemas**, Wilmington, DE (US); **Edward A. McCormack**, Chadds Ford, PA (US)

(73) Assignee: **Southco, Inc.**, Concordville, PA (US)

(\*\*) Term: **14 Years**

(21) Appl. No.: **29/172,856**

(22) Filed: **Dec. 18, 2002**

(51) **LOC (7) Cl.** ..... **08-08**

(52) **U.S. Cl.** ..... **D8/387**

(58) **Field of Search** ..... D8/387; 411/107, 411/352-353, 347, 349

(56) **References Cited**

**U.S. PATENT DOCUMENTS**

748,078 A	12/1903	Kaisling
1,166,345 A	12/1915	Gates
1,188,420 A	6/1916	Eadie
1,664,820 A	4/1928	Hughes
2,006,359 A	7/1935	Lackner
2,151,255 A	3/1939	Witchger
2,331,322 A	10/1943	Heinick
D140,862 S	4/1945	Conlan
D140,863 S	4/1945	Conlan
2,464,133 A	3/1949	Herbert
2,470,927 A	5/1949	Hale, Jr.
2,503,189 A	4/1950	Biba, Jr.
2,553,236 A	5/1951	Bratfisch
2,831,520 A	4/1958	Clarke
2,900,697 A	8/1959	Cuss
2,967,557 A	1/1961	Tait et al.
2,987,811 A	6/1961	Acres
3,033,260 A	5/1962	Snow
3,052,942 A	9/1962	Mulvaney
3,059,736 A	10/1962	Boyd
3,126,935 A	3/1964	Tuozzo
3,137,336 A	6/1964	Wing
3,180,389 A	4/1965	Frank

(List continued on next page.)

**FOREIGN PATENT DOCUMENTS**

CA 766082 8/1967

**OTHER PUBLICATIONS**

Penn Engineering & Manufacturing Corp., Fastener Guide-Pem's 1996 Catalog, 10 pp. (Danboro, PA).

Huck International, Inc., "Captive Fasteners & Rivetless Nut Plates," Huck 1996 Catalog, 11 pp. (California, 90712).

Huck International, Inc., Deutschester, Press-in Captive Screw, Floating Retractable, 1 pg., (Lakewood, CA 1994).

Kanebridge Corp., 1994 Catalog, pp. 1, 111, 211-214, 245-246 (New Jersey).

*Primary Examiner*—Holly Baynham

(74) *Attorney, Agent, or Firm*—Paul & Paul

(57) **CLAIM**

The ornamental design for a low profile captive screw, as shown and described.

**DESCRIPTION**

FIG. 1 is a top plan view of a captive screw of the present invention with a Philips driver recess.

FIG. 2 is a bottom view of the captive screw of FIG. 1.

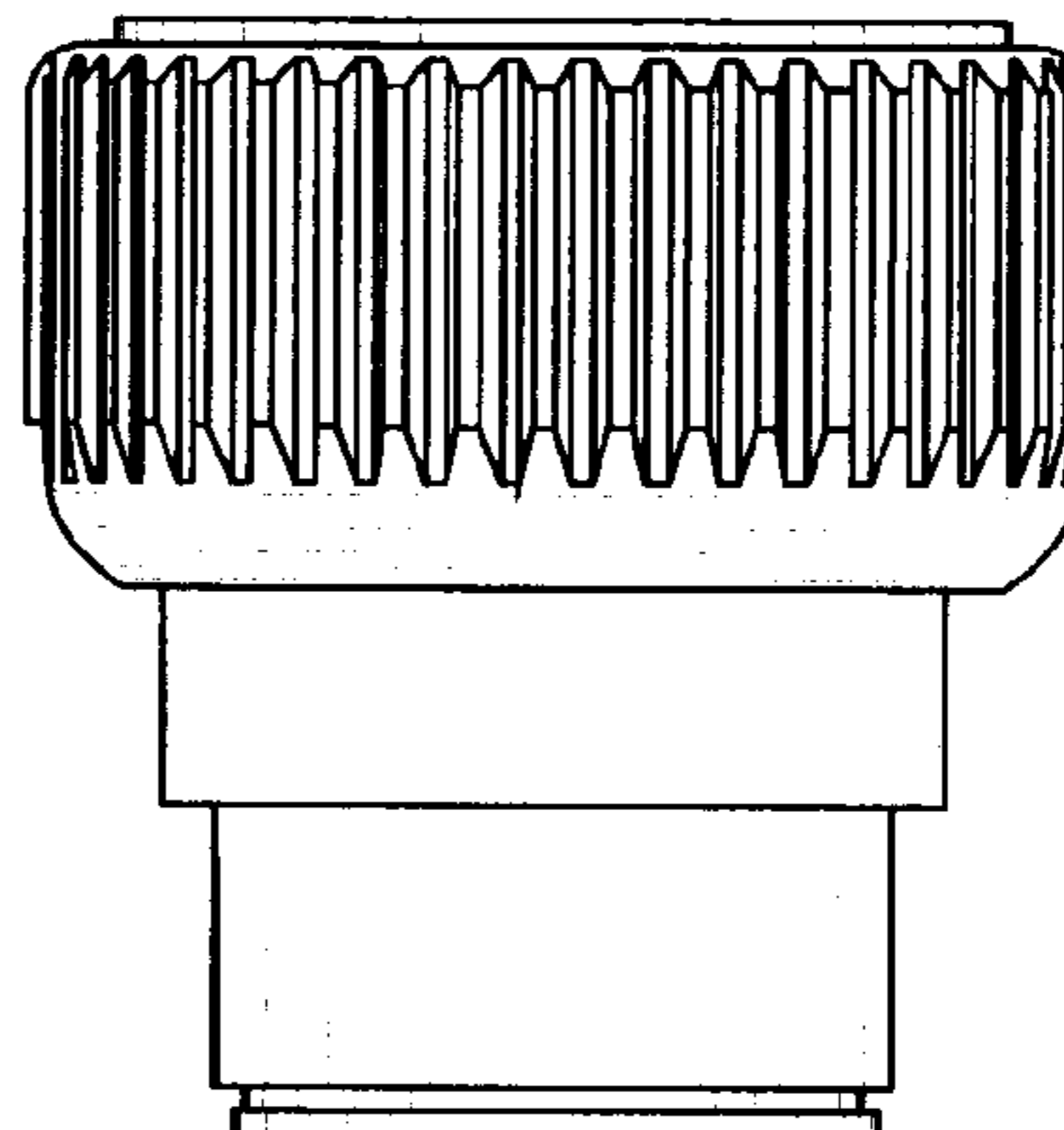
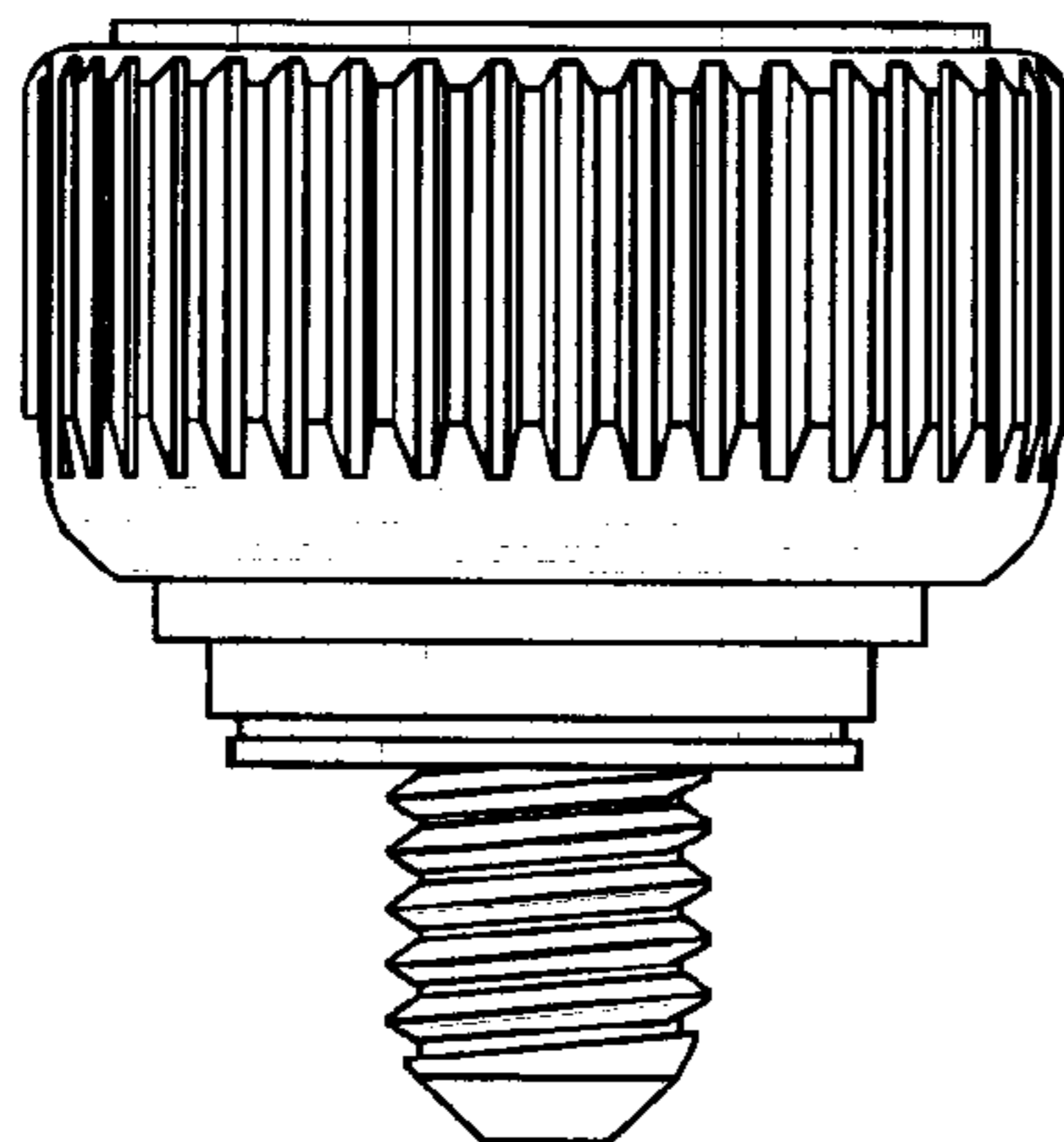
FIG. 3 is a side elevation view of the captive screw of FIG. 1, the captive screw having a knob, a ferrule, a sleeve and a screw, showing the captive screw with the screw threads in a fully extended configuration, the remaining sides being identical.

FIG. 4 is a side elevational view of the captive screw of FIG. 1, showing the captive screw with the screw threads in a fully contracted configuration, the remaining sides being identical.

FIG. 5 is a perspective view of the captive screw of FIG. 1, showing the captive screw with the screw threads in a fully extended position; and,

FIG. 6 is a perspective view of the captive screw of FIG. 1, showing the captive screw with the screw threads in a fully contracted position.

**1 Claim, 1 Drawing Sheet**



# US D494,458 S

Page 2

U.S. PATENT DOCUMENTS					
			4,915,557 A	4/1990	Stafford
			4,952,107 A	8/1990	Dupree
3,195,600 A	7/1965	Middleton, Jr.	5,042,880 A	8/1991	Garuti et al.
3,204,680 A	9/1965	Barry	5,056,974 A	10/1991	Dolin
3,209,807 A	10/1965	Ryner	D324,479 S	3/1992	Tinz
3,244,212 A	4/1966	Barry	5,094,579 A	3/1992	Johnson
3,245,450 A	4/1966	Sauter	5,120,168 A	6/1992	Padula
3,250,559 A	5/1966	Sommerfeld	5,209,018 A	5/1993	Heinrich
3,263,728 A	8/1966	Lynch	5,336,028 A	8/1994	Yamamoto
3,279,302 A	10/1966	Modrey	5,338,139 A	8/1994	Swanstrom
3,343,581 A	9/1967	Martin et al.	5,382,124 A	1/1995	Frattarola
3,346,032 A	10/1967	Gulistan	D357,176 S	4/1995	Ernest et al.
3,385,341 A	5/1968	Garstkiewicz	5,429,467 A	7/1995	Gugle et al.
3,437,119 A	4/1969	Dey	5,537,262 A	7/1996	Aoki et al.
3,465,803 A	9/1969	Ernest et al.	5,544,992 A	8/1996	Ciobanu et al.
3,502,430 A	3/1970	Gulistan	5,611,654 A	3/1997	Frattarola et al.
3,564,563 A	2/1971	Trotter et al.	5,642,972 A	7/1997	Ellis et al.
3,718,950 A	3/1973	Engstrom	5,667,346 A	9/1997	Sharp
3,912,411 A	10/1975	Moffat	D388,316 S	12/1997	McDonough et al.
3,958,308 A	5/1976	Gooding	5,741,101 A	4/1998	Gulistan
4,007,516 A	2/1977	Coules	D400,430 S	11/1998	McDonough et al.
4,047,266 A	9/1977	Bisbing	D402,522 S	12/1998	Gillman
4,387,497 A	6/1983	Gulistan	5,851,095 A	12/1998	Ellis et al.
4,398,322 A	8/1983	Ewen	5,865,582 A	2/1999	Ellis et al.
4,472,098 A	9/1984	Kiefer	D411,952 S	7/1999	Alderisio, Jr.
4,492,500 A	1/1985	Ewing	D417,827 S	12/1999	Gillman
D283,591 S	4/1986	Swanstrom	6,033,168 A	3/2000	Creely, III et al.
4,594,040 A	6/1986	Molina	6,238,155 B1 *	5/2001	Aukzemas et al. .... 411/107
4,602,903 A	7/1986	Wilburn			
4,692,075 A	9/1987	Metz			

\* cited by examiner

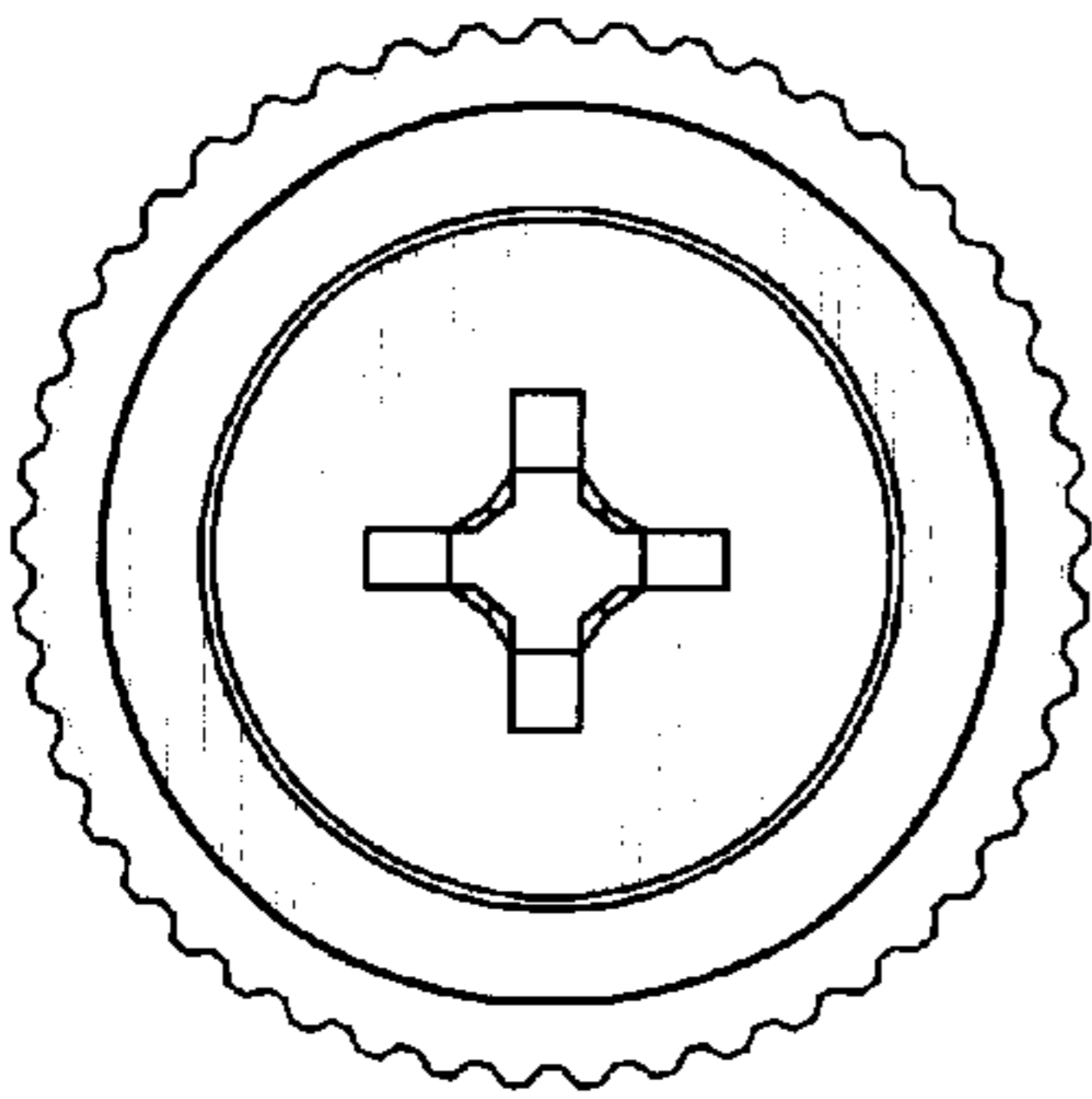


FIG. 1

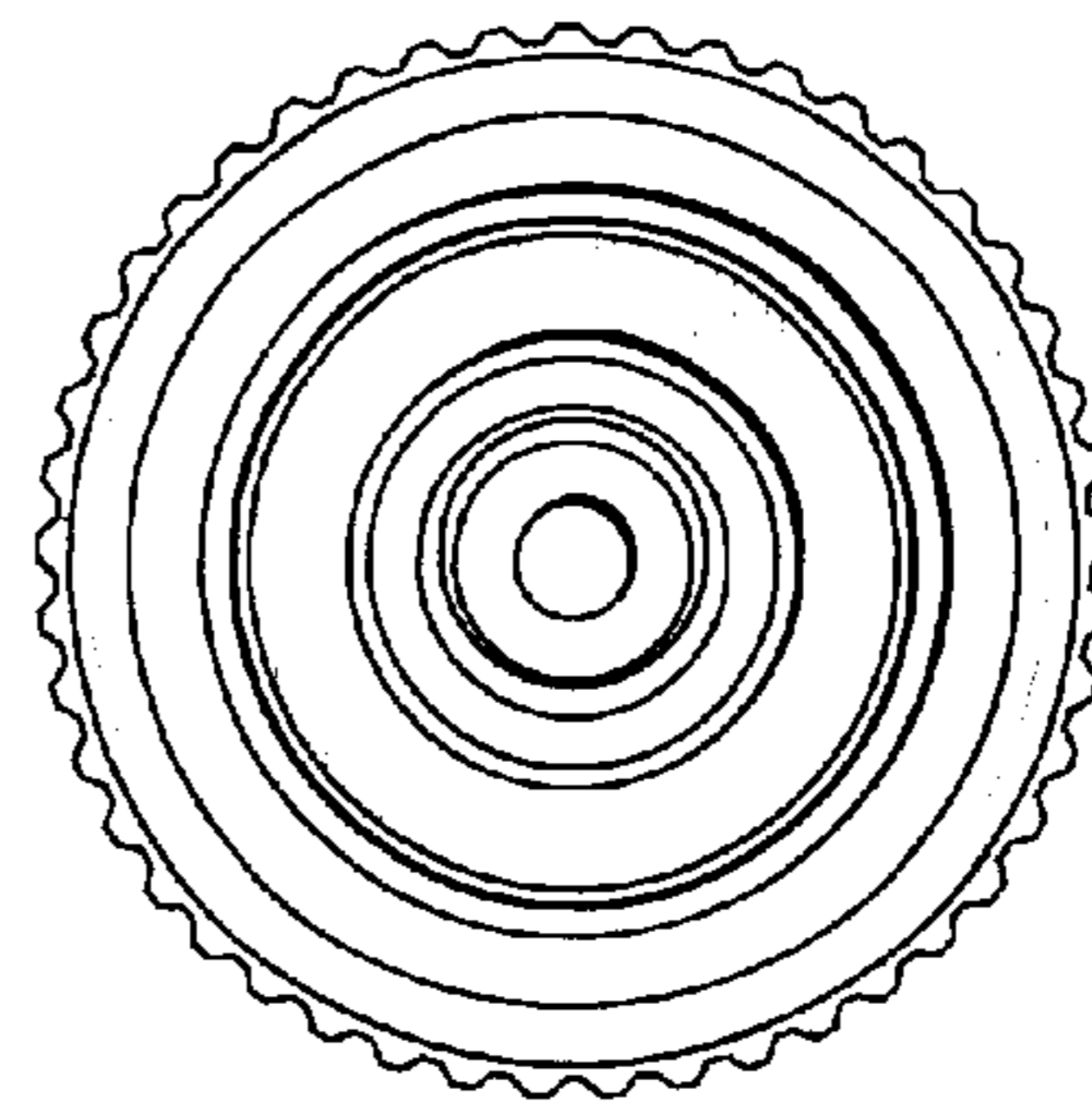


FIG. 2

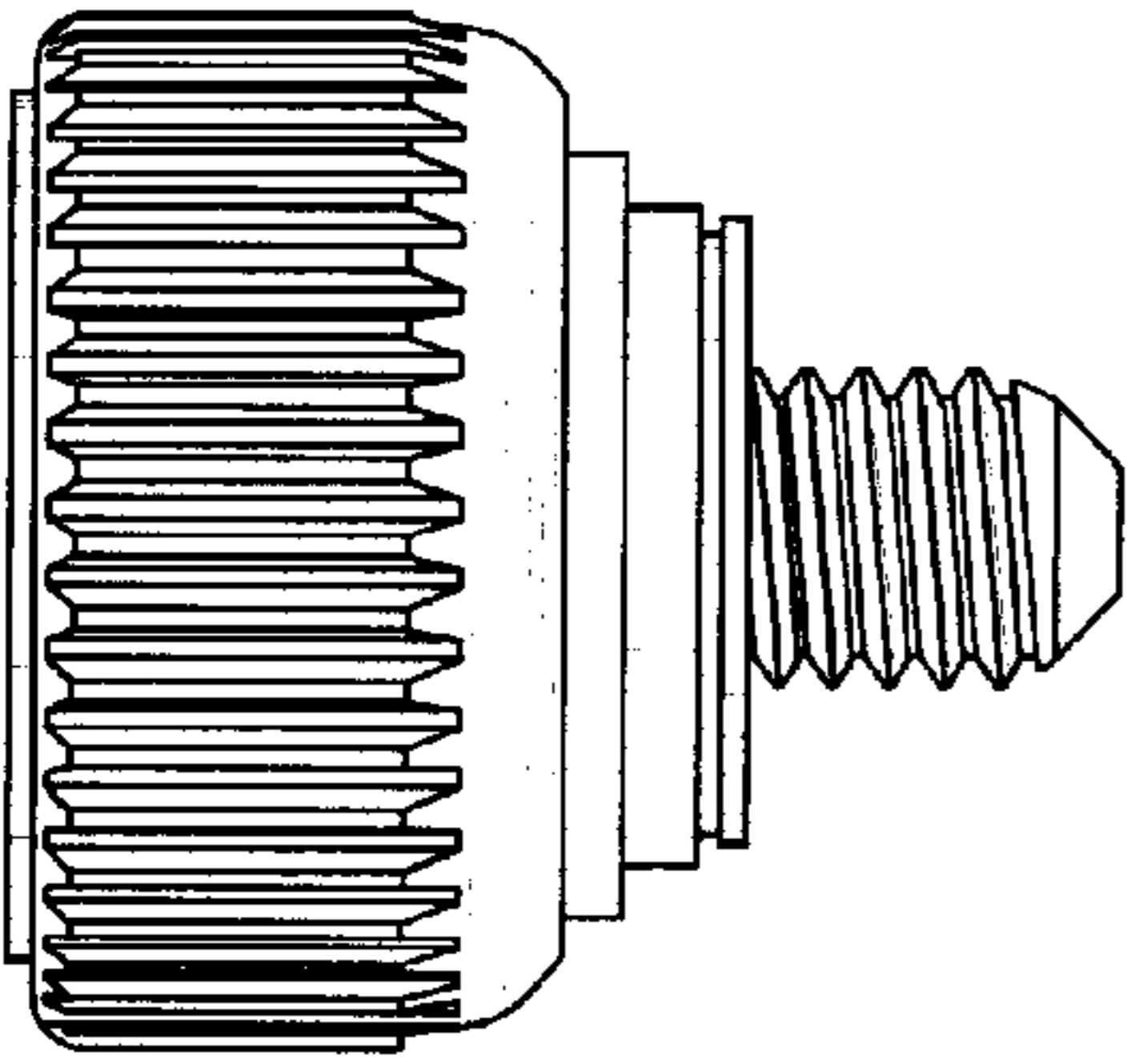


FIG. 3

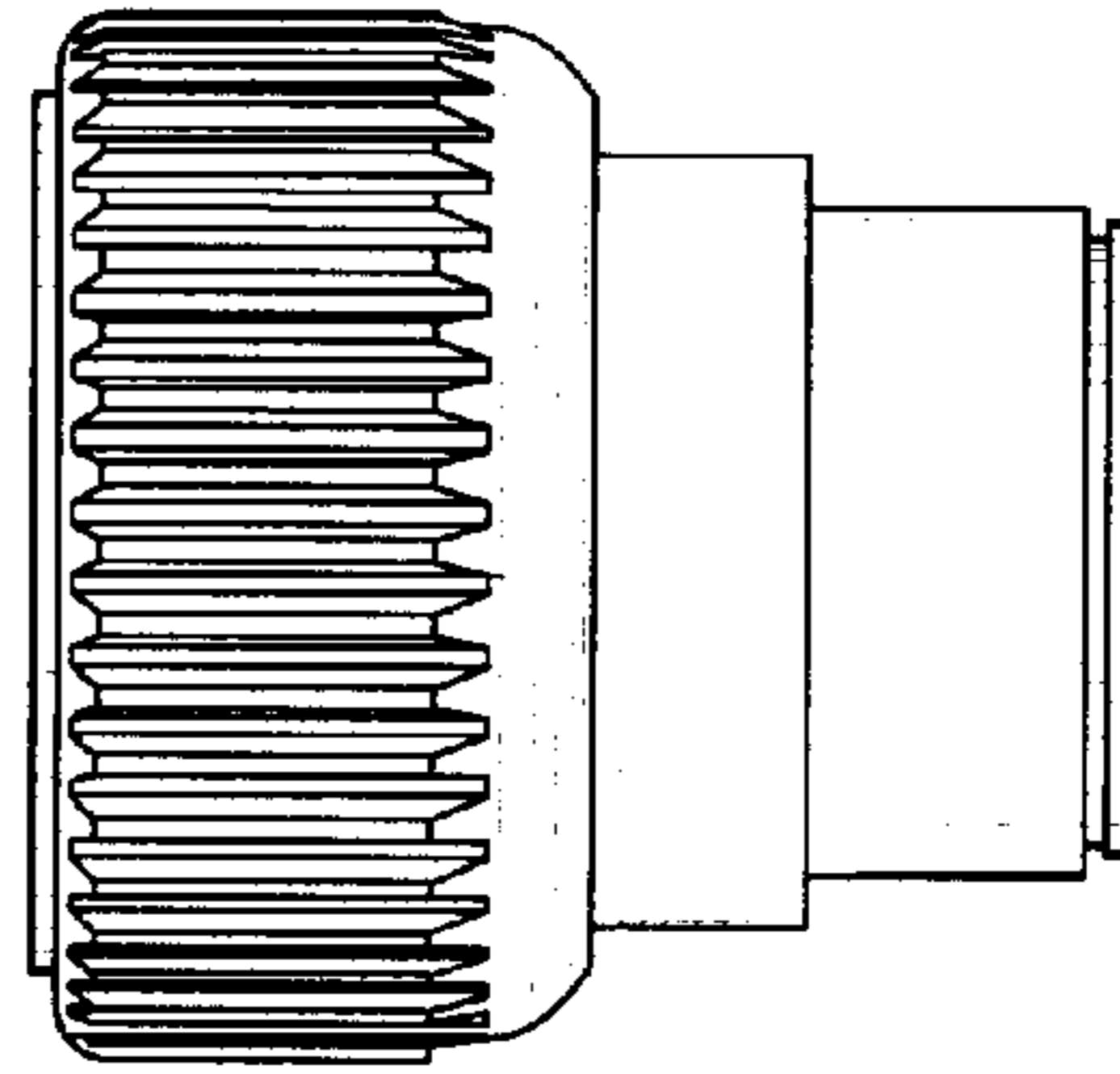


FIG. 4

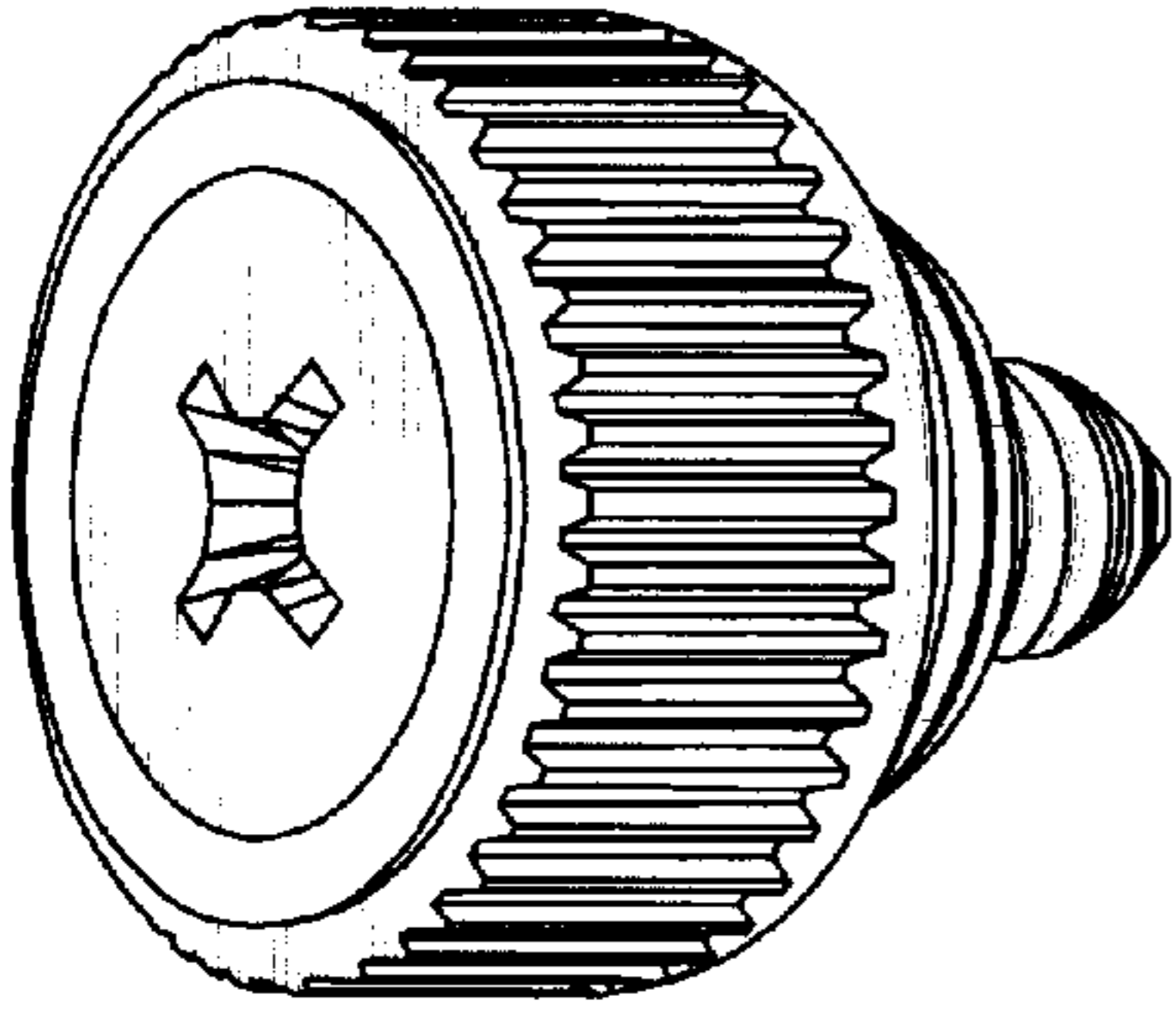


FIG. 5

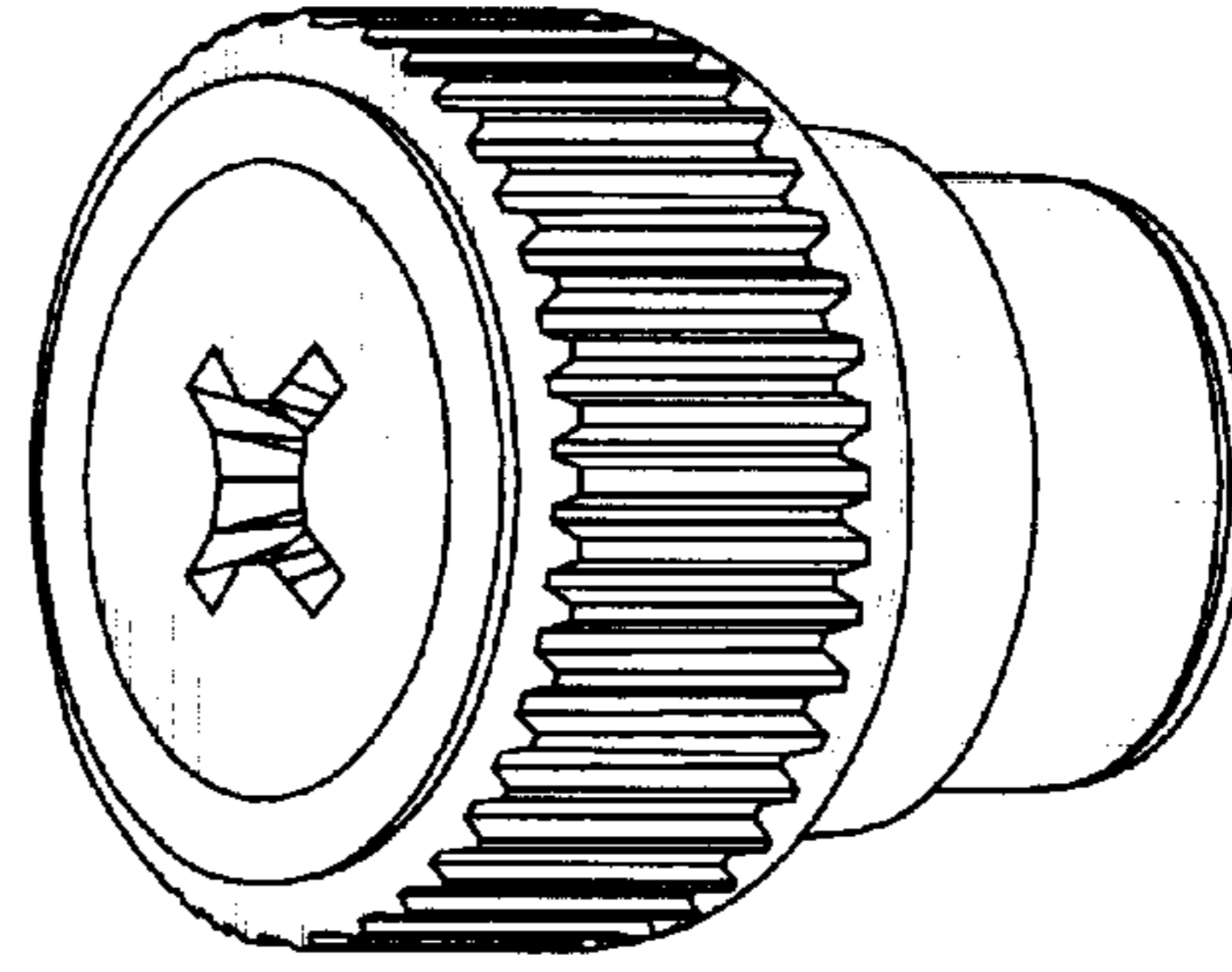


FIG. 6