

US00D494454S1

(12) **United States Design Patent**  
**Klein et al.**

(10) **Patent No.:** **US D494,454 S**

(45) **Date of Patent:** **\*\* Aug. 17, 2004**

(54) **HANGER BRACKET FOR CABINET DOORS**

(75) Inventors: **Richard B. Klein**, Overland Park, KS (US); **John W. Scott**, Lenexa, KS (US); **Chris Serslev**, Leawood, KS (US)

(73) Assignee: **Lynk, Inc.**, Lenexa, KS (US)

(\*\*) Term: **14 Years**

(21) Appl. No.: **29/191,935**

(22) Filed: **Oct. 16, 2003**

(51) **LOC (7) Cl.** ..... **08-05**

(52) **U.S. Cl.** ..... **D8/373**

(58) **Field of Search** ..... D8/373, 349, 354;  
52/284, 799.1; 248/301, 304, 300, 200,  
214-215

(56) **References Cited**

**U.S. PATENT DOCUMENTS**

1,552,204 A	9/1925	Bowers	
2,433,772 A	* 12/1947	Lyons	52/284
2,459,909 A	1/1949	Alofs	
3,918,670 A	11/1975	Doherty	
D287,550 S	1/1987	Tocci	
D288,282 S	2/1987	Sheets	
D290,931 S	* 7/1987	Powell	D8/373
D305,299 S	* 1/1990	Freeman	D8/373
5,058,358 A	* 10/1991	Stratton	52/702

5,085,389 A	*	2/1992	Levesque	248/300
D354,412 S		1/1995	Emery	
5,511,750 A	*	4/1996	Evenson	248/200
D381,225 S		7/1997	Malik	
D385,481 S		10/1997	Klein et al.	
D386,668 S		11/1997	Klein et al.	
D397,565 S		9/1998	Klein et al.	
5,855,279 A		1/1999	Klein et al.	
D415,950 S		11/1999	Anderson	
6,152,313 A		11/2000	Klein et al.	

\* cited by examiner

*Primary Examiner*—Holly Baynham

(74) *Attorney, Agent, or Firm*—Shook, Hardy & Bacon LLP

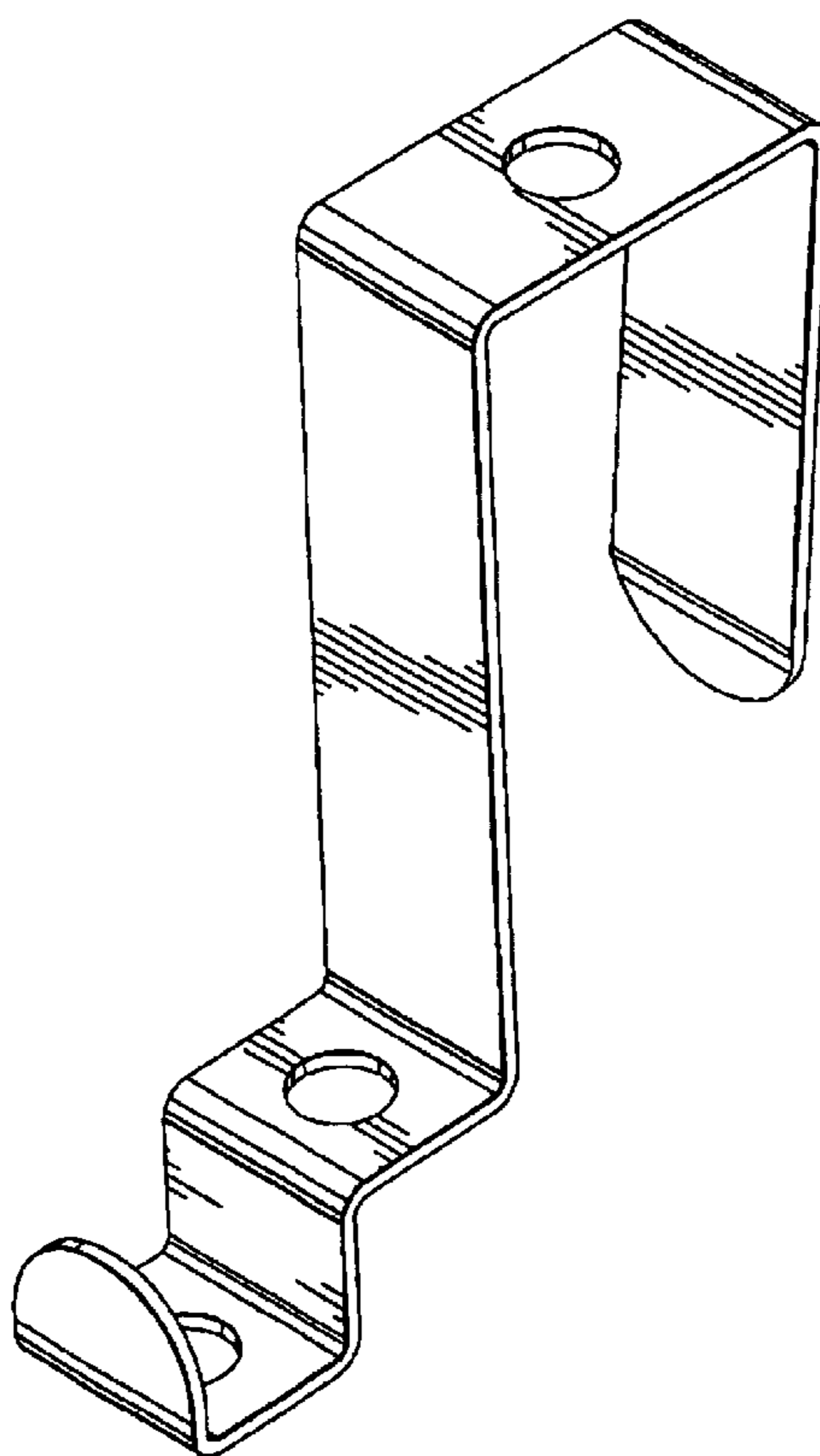
(57) **CLAIM**

The ornamental design for a hanger bracket for cabinet doors, as shown and described.

**DESCRIPTION**

FIG. 1 is a perspective view of a hanger bracket for cabinet doors showing our new design; FIG. 2 is a top plan view thereof; FIG. 3 is a front elevational view thereof; FIG. 4 is a side elevational view thereof taken from the left side, the opposite side appearing as a mirror image; FIG. 5 is a bottom plan view thereof; and, FIG. 6 is a rear elevational view thereof.

**1 Claim, 2 Drawing Sheets**



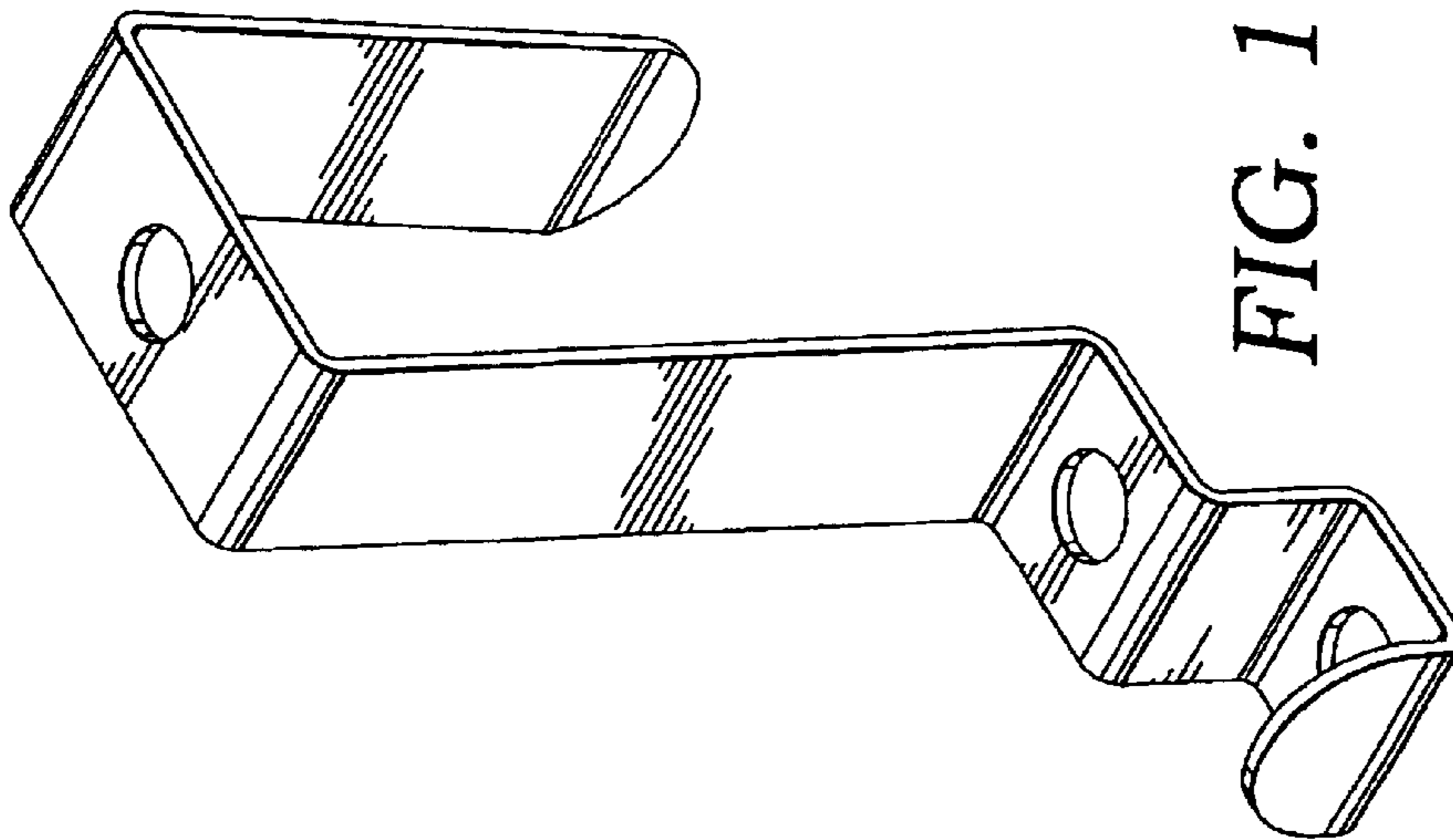


FIG. 1.

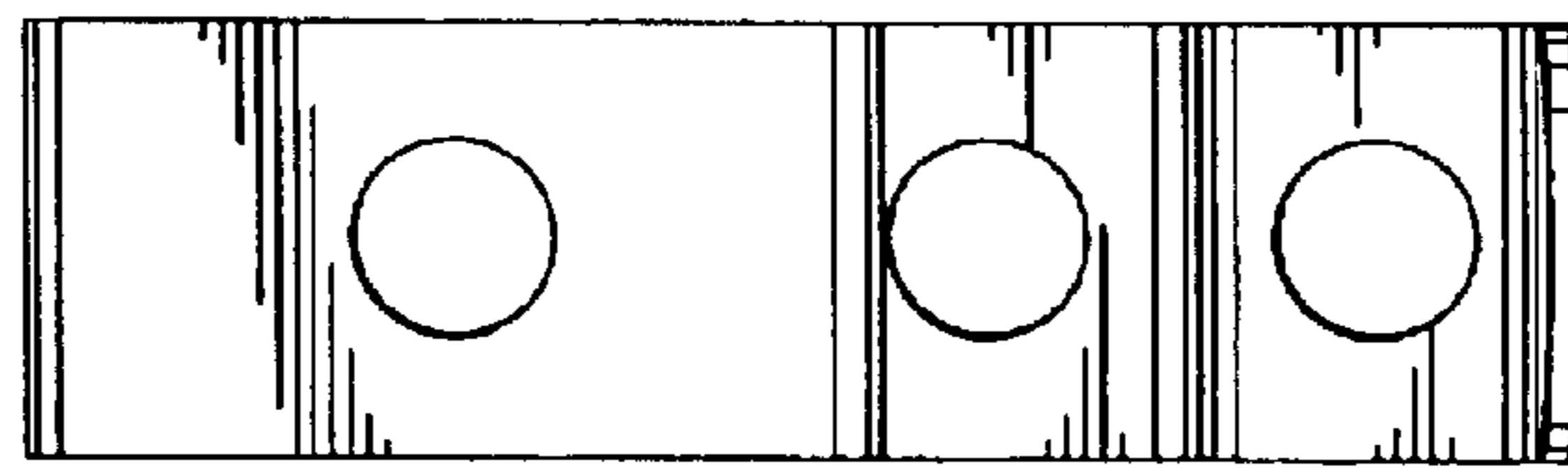


FIG. 2.

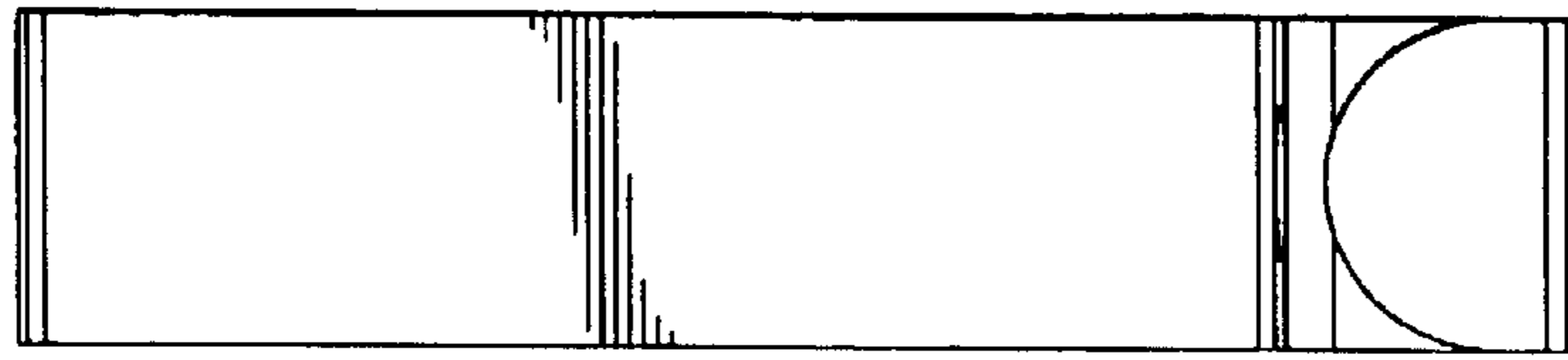


FIG. 3.

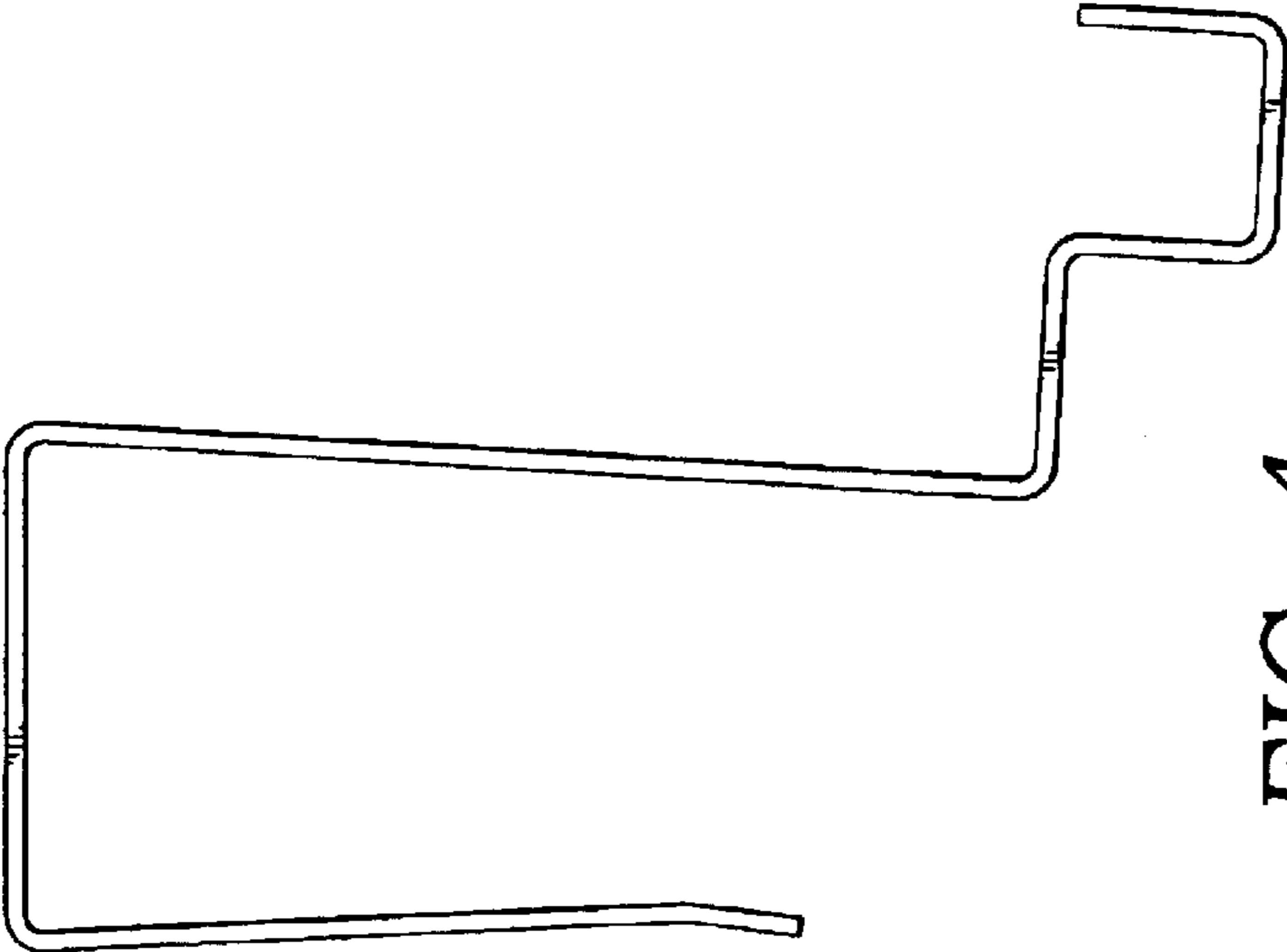


FIG. 4.

FIG. 5.

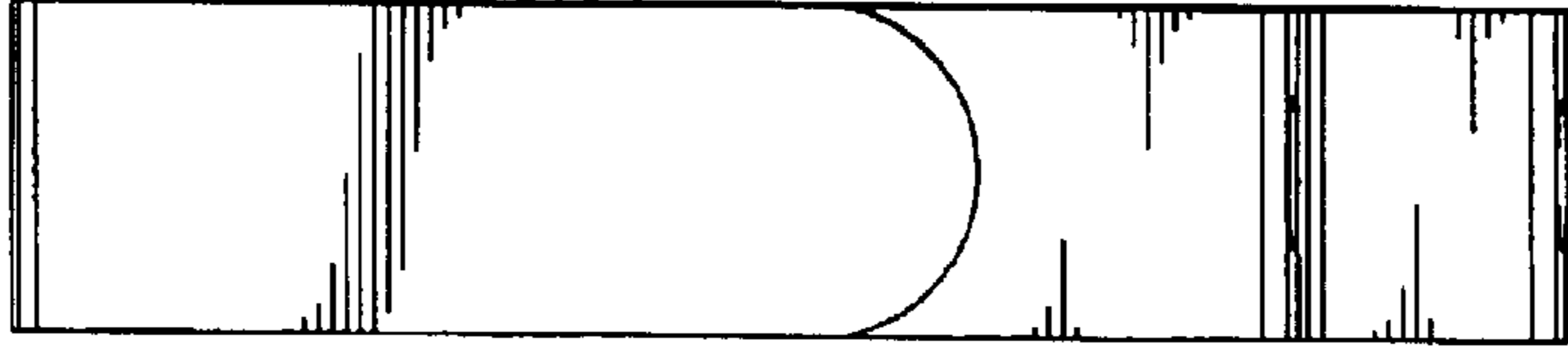
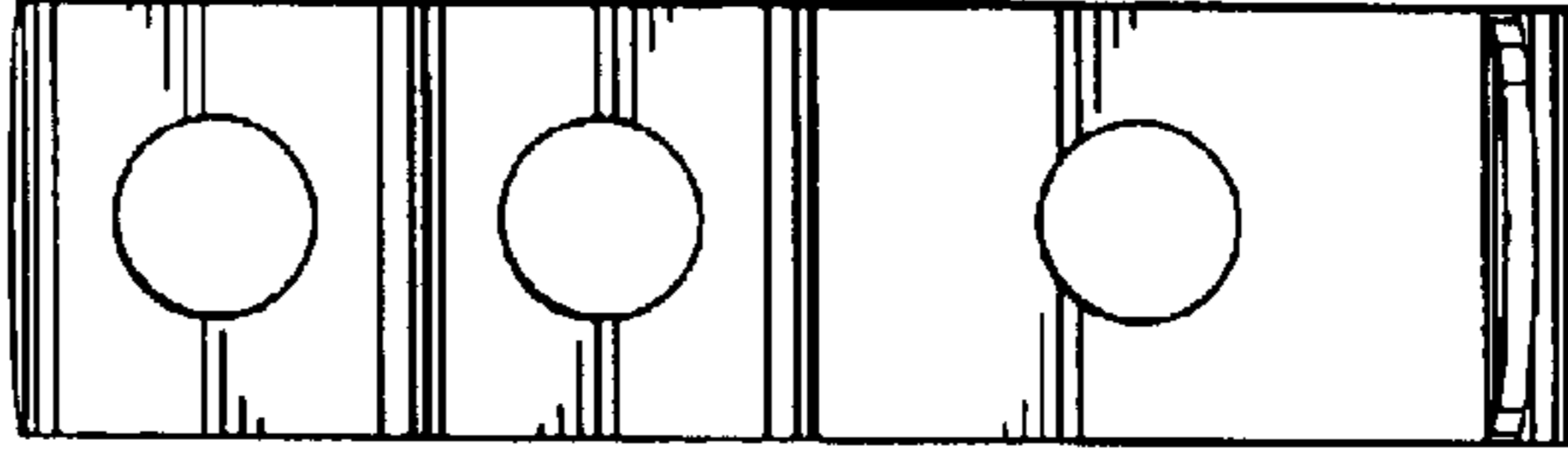


FIG. 6.