

US00D494453S1

(12) **United States Design Patent**
Ziaylek et al.

(10) **Patent No.:** **US D494,453 S**

(45) **Date of Patent:** **** Aug. 17, 2004**

(54) **MECHANICAL LOCKING BRACKET FOR HOLDING CYLINDERS**

D394,381 S * 5/1998 Ziaylek et al. D8/354

* cited by examiner

(76) Inventors: **Michael P. Ziaylek**, 15 Cold Spring Ave., Yardley, PA (US) 19067;
Theodore Ziaylek, Jr., 140 Riverview Dr., Yardley, PA (US) 19067; **Theodore P. Ziaylek**, 152 Riverview Ave., Yardley, PA (US) 19067

Primary Examiner—Holly Baynham
(74) *Attorney, Agent, or Firm*—Sperry, Zoda & Kane

(57) **CLAIM**

The ornamental design for a mechanical locking bracket for holding cylinders, as shown.

(**) Term: **14 Years**

DESCRIPTION

(21) Appl. No.: **29/190,618**

FIG. 1 is a front perspective view embodying our new design;

(22) Filed: **Sep. 24, 2003**

FIG. 2 is a front plan view;

(51) **LOC (7) Cl.** **08-05**

FIG. 3 is a left plan view;

(52) **U.S. Cl.** **D8/373**

FIG. 4 is a right plan view;

(58) **Field of Search** D8/373, 354; 248/300, 248/309.1

FIG. 5 is a rear plan view;

FIG. 6 is a top plan view; and,

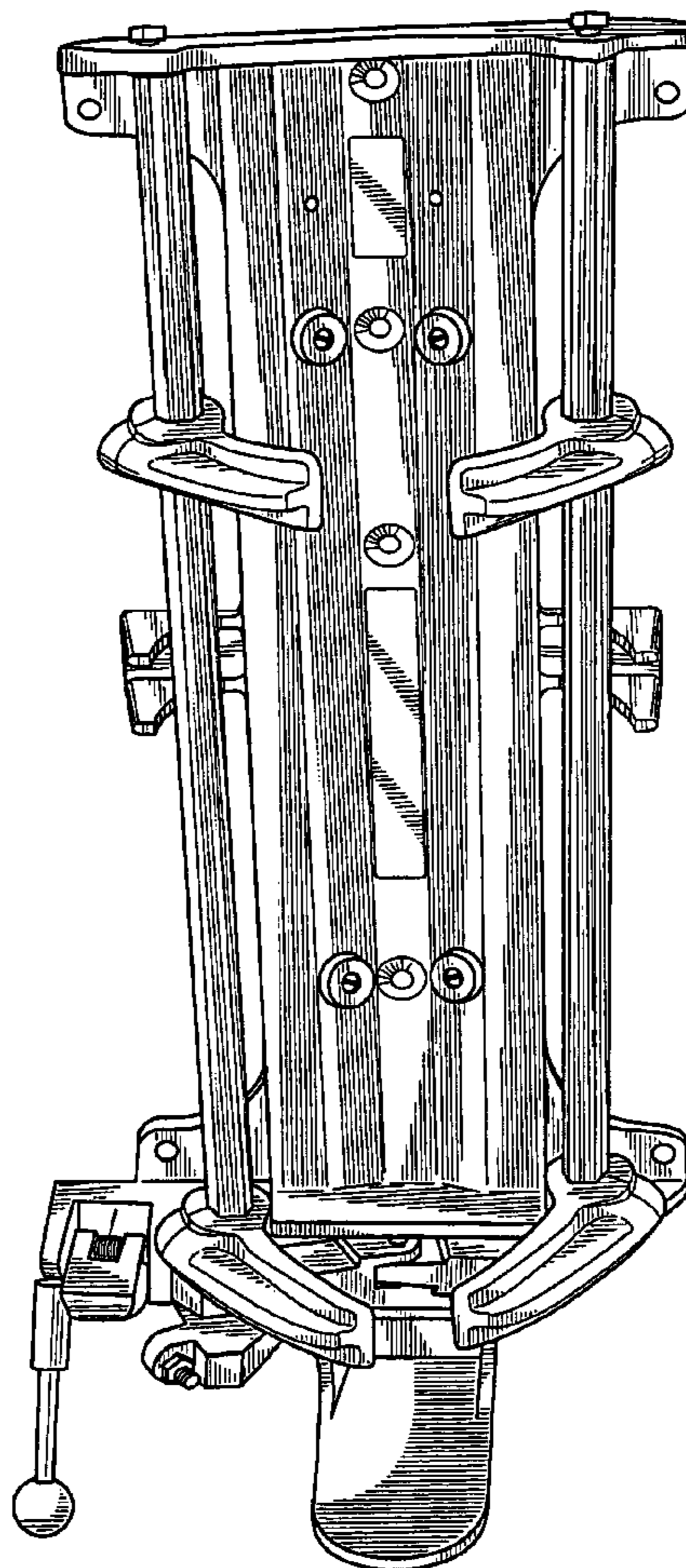
FIG. 7 is a bottom plan view.

(56) **References Cited**

U.S. PATENT DOCUMENTS

D347,735 S * 6/1994 Ziaylek et al. D3/316

1 Claim, 5 Drawing Sheets



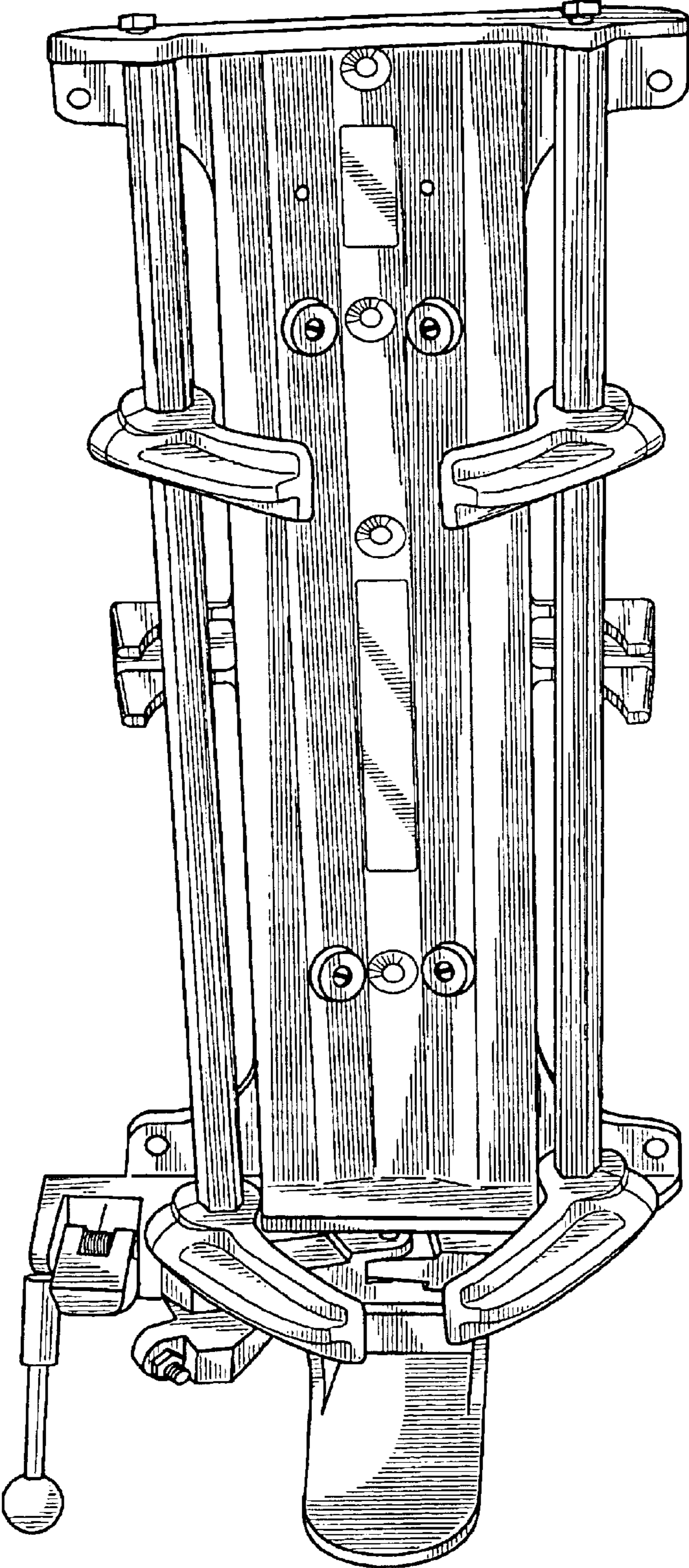


FIG. 1

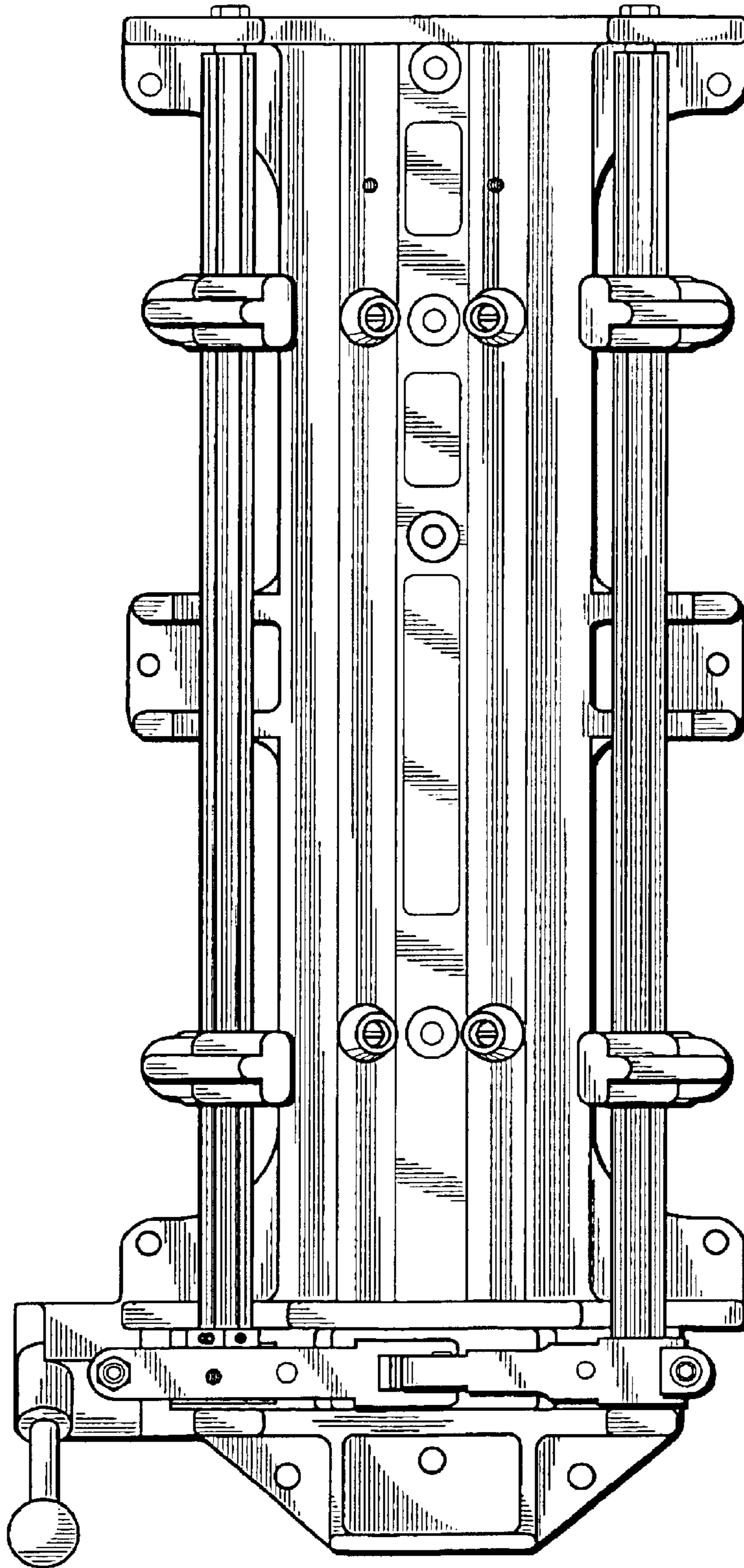


FIG. 2

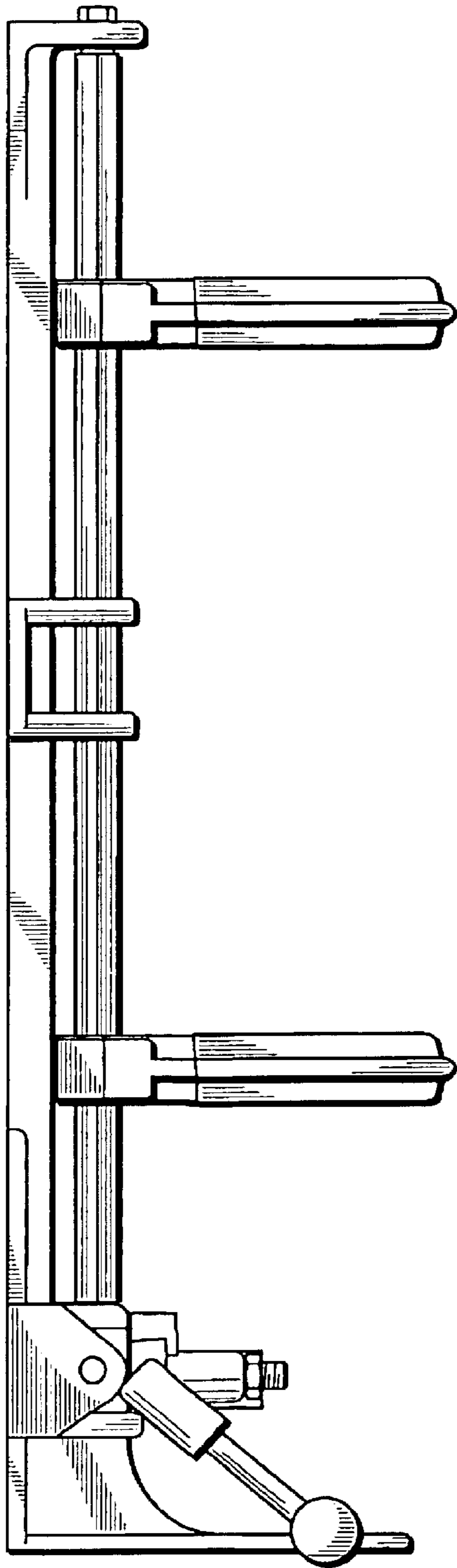


FIG. 3

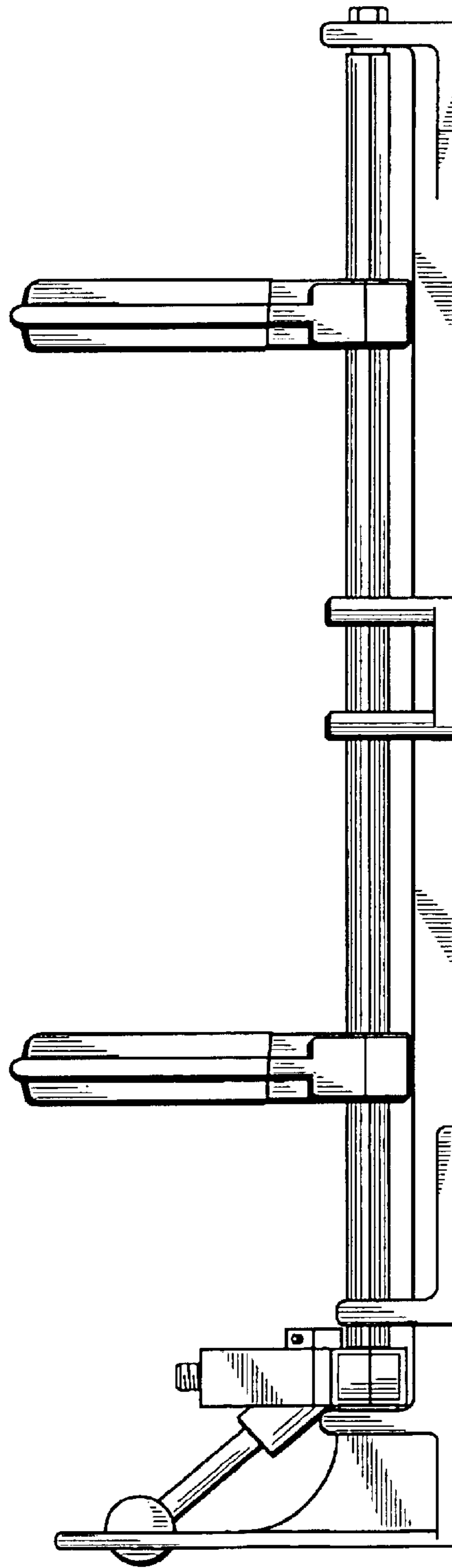


FIG. 4

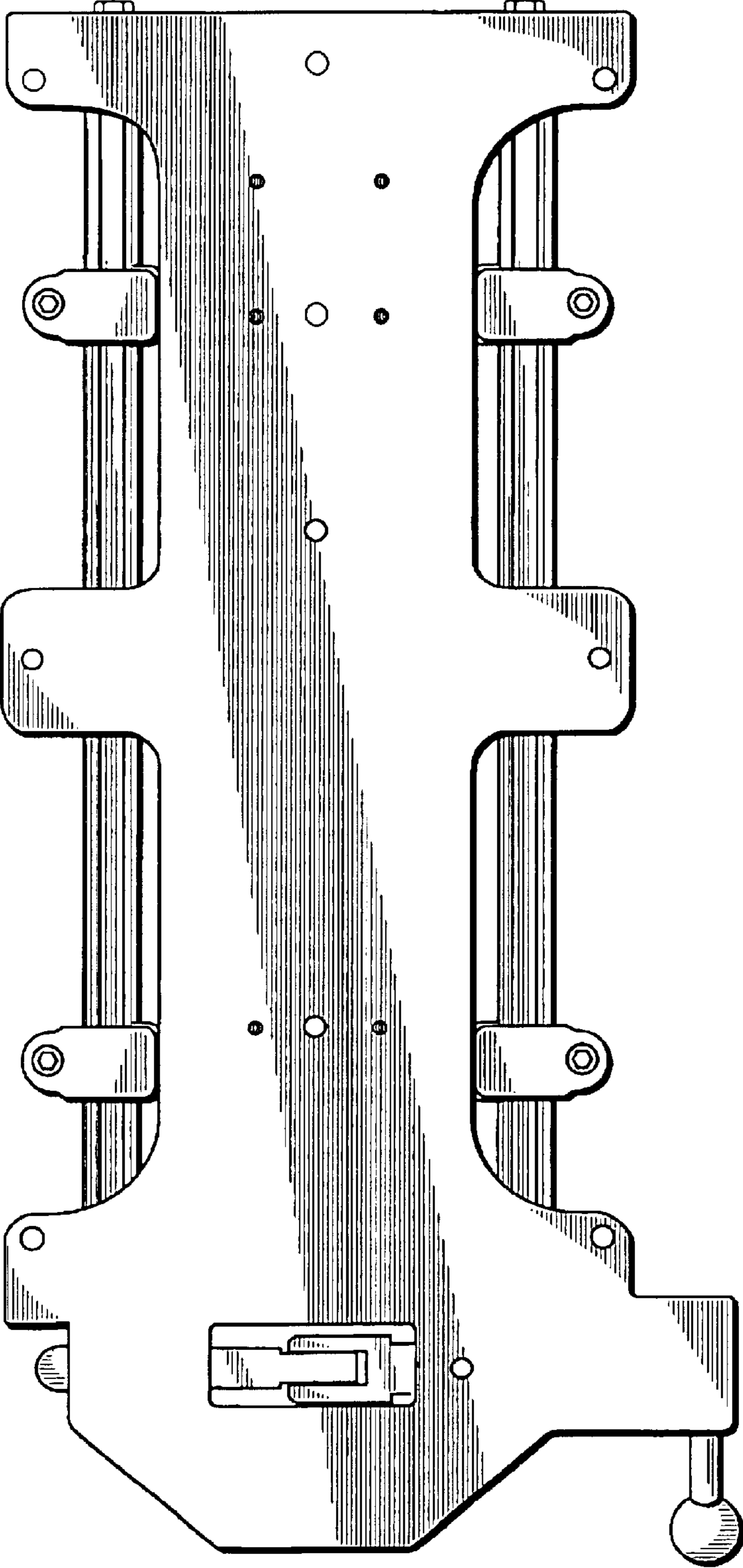


FIG. 5

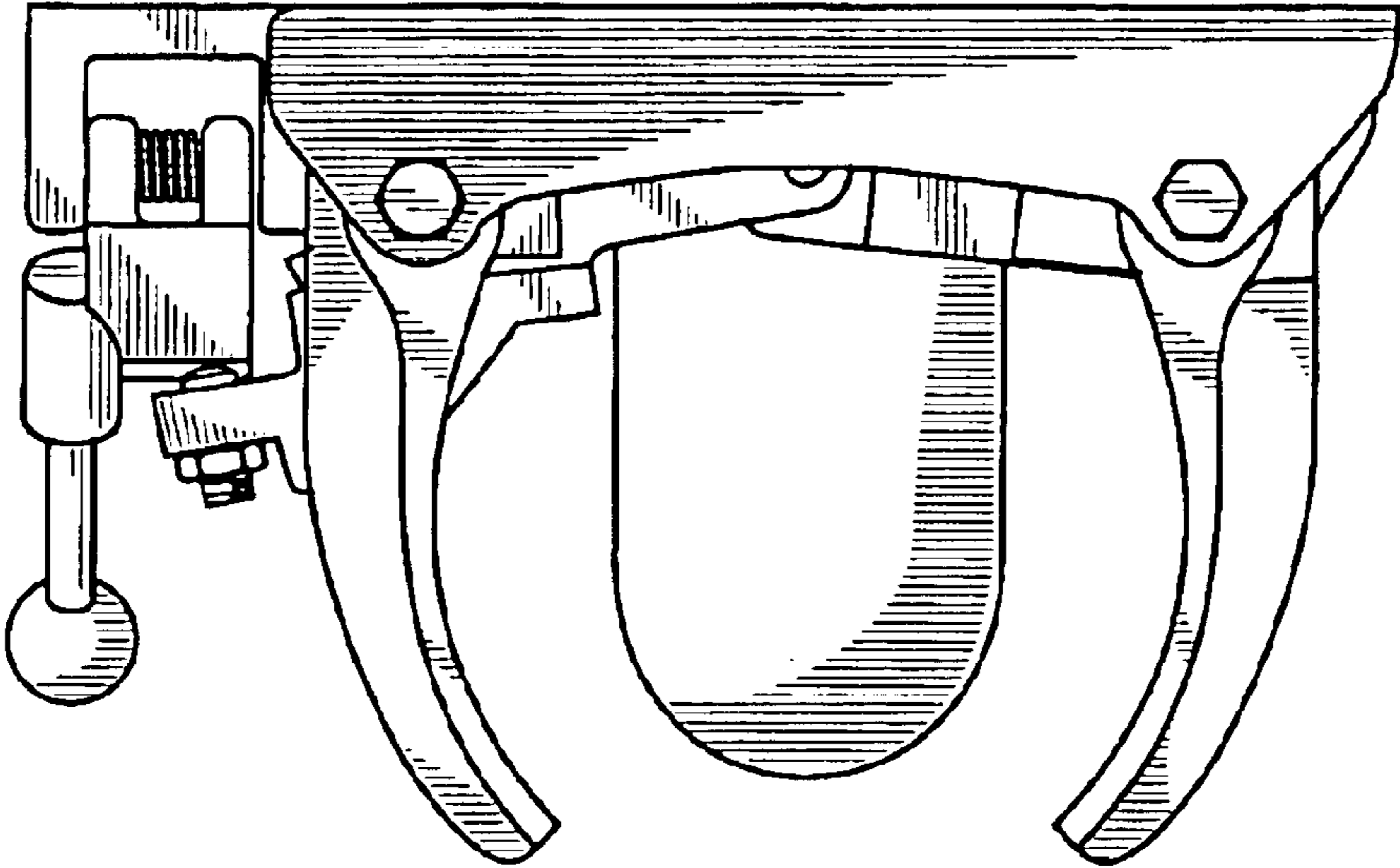


FIG. 6

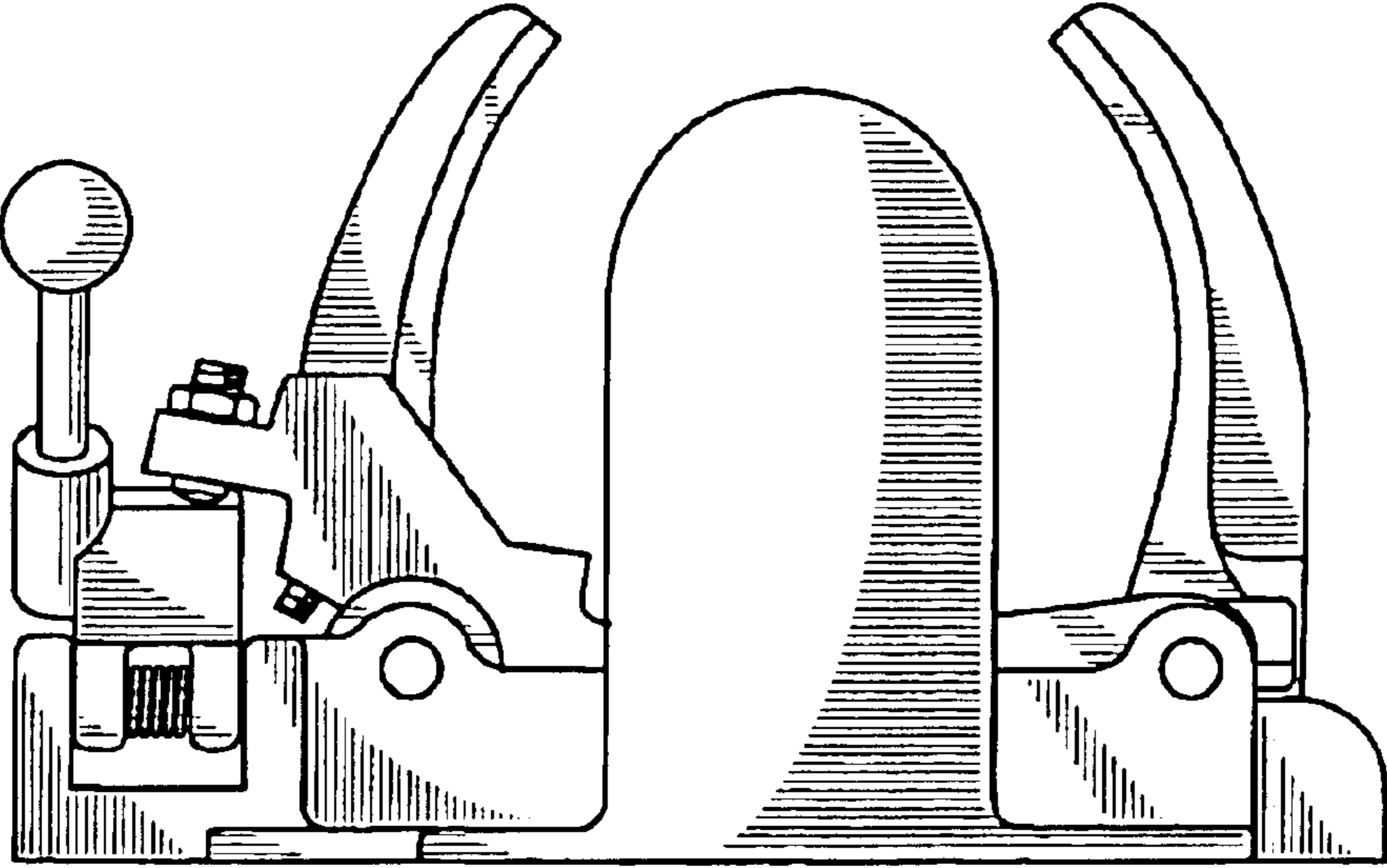


FIG. 7