

US00D494450S1

(12) **United States Design Patent** (10) **Patent No.:** **US D494,450 S**
Schultz et al. (45) **Date of Patent:** **** Aug. 17, 2004**

(54) **HYDRAULIC HOSE PAIR GROMMET**
(75) Inventors: **David P. Schultz**, Arlington, TX (US);
Joseph B. Diller, Hurst, TX (US)
(73) Assignee: **Bell Helicopter Textron, Inc.**, Fort
Worth, TX (US)

(**) Term: **14 Years**

(21) Appl. No.: **29/187,178**

(22) Filed: **Jul. 29, 2003**

(51) **LOC (7) Cl.** **08-05**

(52) **U.S. Cl.** **D8/356**

(58) **Field of Search** D8/349, 354, 356,
D8/400; 16/2.1, 2.2, 2.5, 108; 248/56, 74.1,
74.4, 75, 82; 174/65 G, 65 R, 6, 151, 152 G,
153 G; 411/15, 182, 339

(56) **References Cited**

U.S. PATENT DOCUMENTS

3,057,001 A	*	10/1962	Rapata	16/2.5
3,514,063 A	*	5/1970	Hollander	248/309.1
3,531,071 A	*	9/1970	Kubli	248/68.1
3,742,119 A	*	6/1973	Newman	174/65 R
4,029,896 A	*	6/1977	Skinner	174/138 F
4,224,721 A	*	9/1980	Ohlson	24/489
D258,864 S	*	4/1981	Muller	D8/356
4,724,278 A	*	2/1988	Smith	174/38
5,060,810 A	*	10/1991	Jones	211/59.4

5,234,185 A	*	8/1993	Hoffman et al.	248/56
D372,420 S	*	8/1996	Mendez	D8/383
D390,447 S	*	2/1998	Colen, Jr.	D8/356
D396,799 S	*	8/1998	Jones	D8/349
6,308,921 B1	*	10/2001	Borzucki	248/68.1
2003/0015362 A1	*	1/2003	Asche et al.	180/89.12

* cited by examiner

Primary Examiner—James Gandy

Assistant Examiner—Elizabeth Albert

(74) *Attorney, Agent, or Firm*—James E. Walton

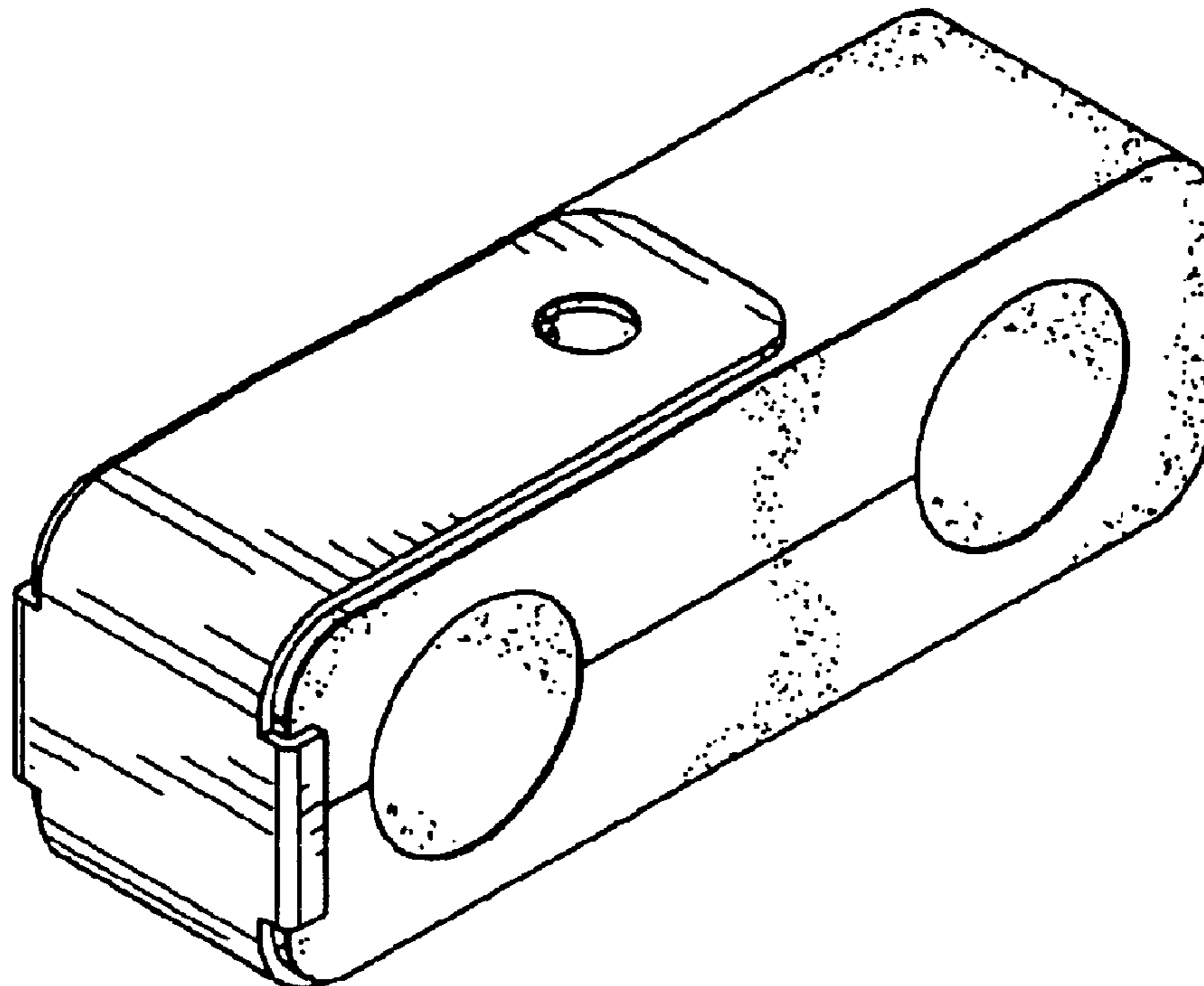
(57) **CLAIM**

The ornamental design for a hydraulic hose pair grommet, as shown and described.

DESCRIPTION

FIG. 1 is a perspective view of the hydraulic hose pair grommet according to the present invention.
FIG. 2 is a front view of the hydraulic hose pair grommet according to the present invention. The rear view is a mirror image of the front view.
FIG. 3 is a right side view of the hydraulic hose pair grommet according to the present invention.
FIG. 4 is a left side view of the hydraulic hose pair grommet according to the present invention; and,
FIG. 5 is a top view of the hydraulic hose pair grommet according to the present invention. The bottom view is identical to the top view.

1 Claim, 1 Drawing Sheet



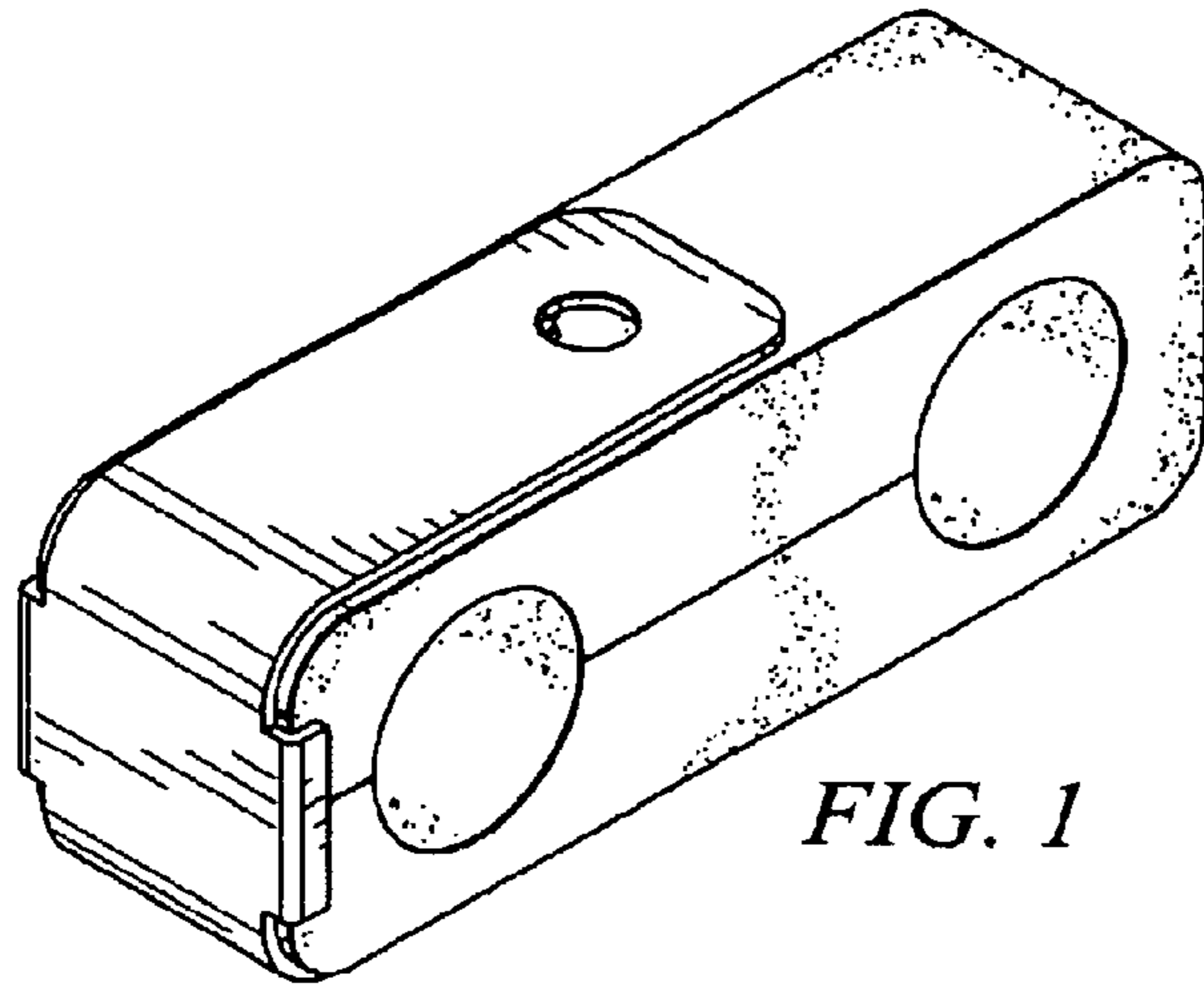


FIG. 1

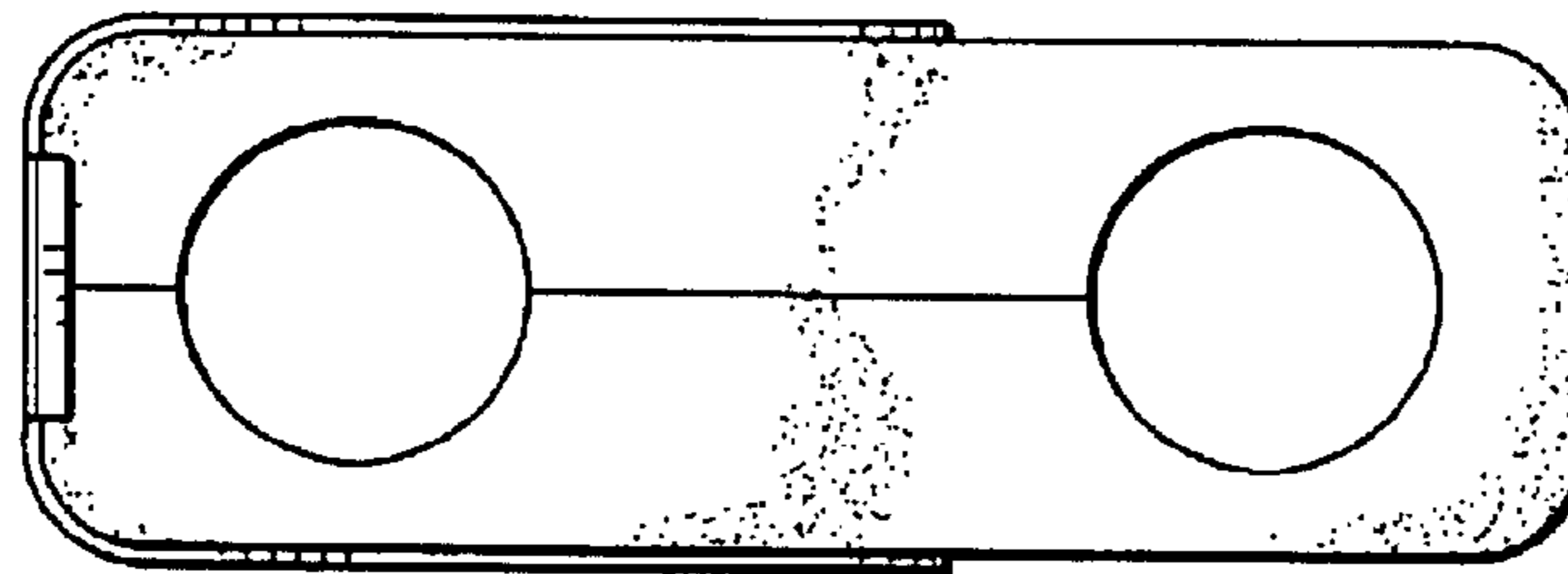


FIG. 2

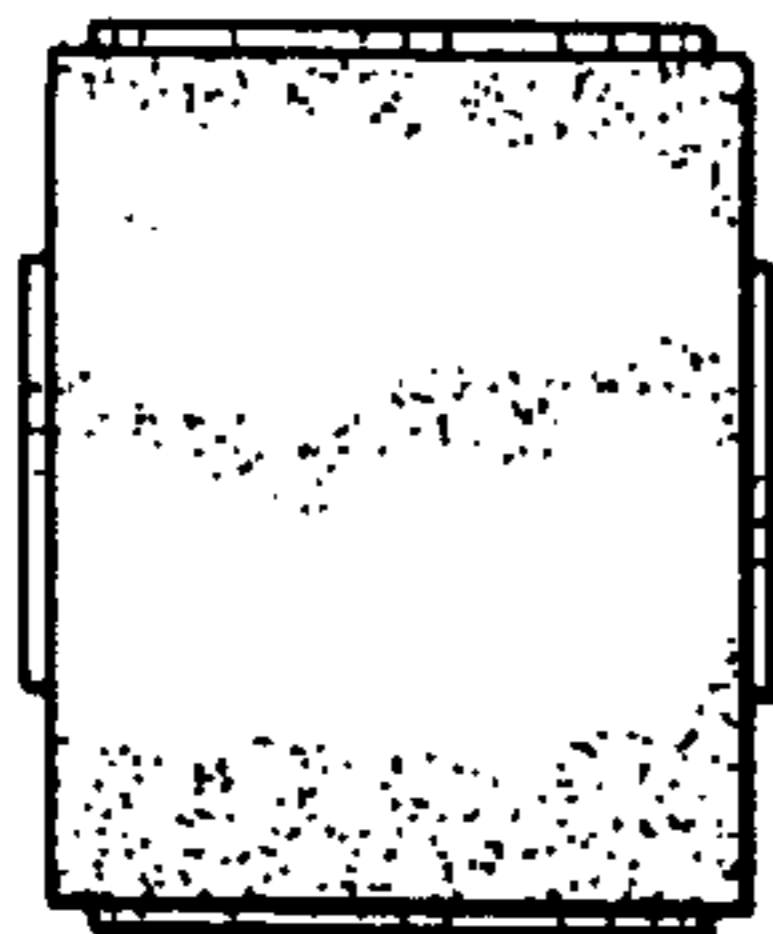


FIG. 3

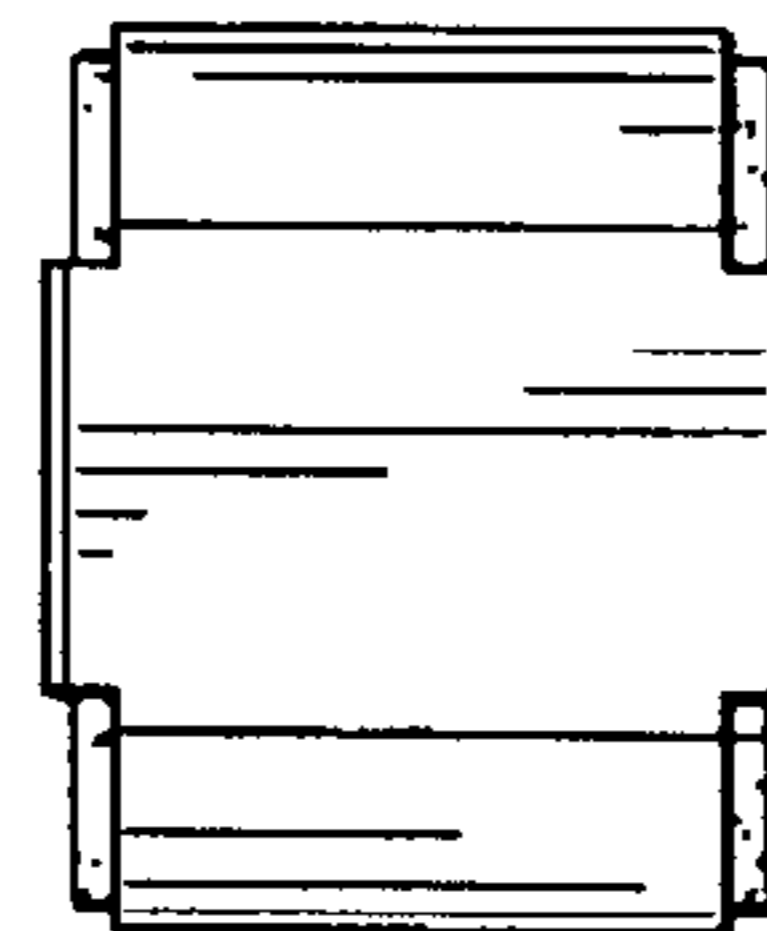


FIG. 4

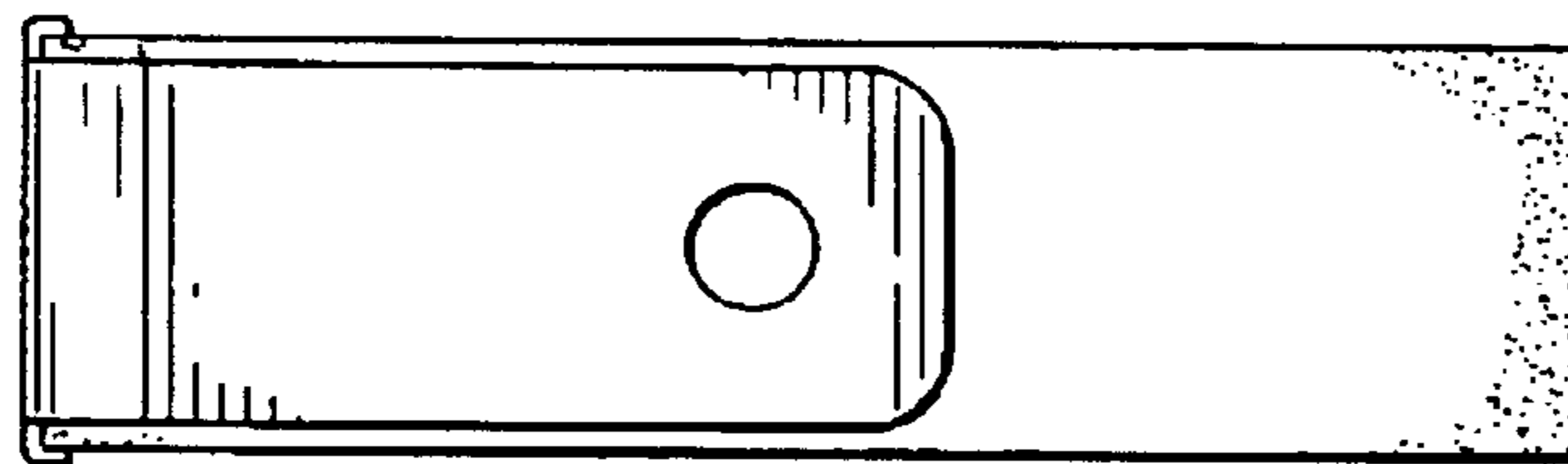


FIG. 5