

US00D494448S1

(12) **United States Design Patent**  
**Perri et al.**

(10) **Patent No.:** **US D494,448 S**  
(45) **Date of Patent:** **\*\* Aug. 17, 2004**

(54) **CLEAT WITH TWO-SIDED JAM ELEMENTS**

5,642,556 A \* 7/1997 Alexander ..... 24/163 K  
D464,251 S \* 10/2002 Wells ..... D8/356

(75) Inventors: **Michael D. Perri**, 10930 47<sup>th</sup> Ave. N.,  
Plymouth, MN (US) 55442; **Bryon M. Suter**,  
Plymouth, MN (US)

(73) Assignees: **Industrial Sales Corporation**,  
Westport, CT (US); **Michael D. Perri**,  
Plymouth, MN (US)

(\*\*) Term: **14 Years**

(21) Appl. No.: **29/185,686**

(22) Filed: **Jun. 30, 2003**

(51) **LOC (7) Cl.** ..... **08-05**

(52) **U.S. Cl.** ..... **D8/356**

(58) **Field of Search** ..... D8/349, 354, 356;  
D12/317; 24/115 J, 115 R, 129 R, 130,  
265 CD; 114/199, 218, 230.1; 248/499;  
296/36; 410/11, 23, 107, 110, 111

(56) **References Cited**

**U.S. PATENT DOCUMENTS**

D209,329 S \* 11/1967 Coderre et al. .... D8/382  
D209,330 S \* 11/1967 Coderre et al. .... D8/382  
4,120,077 A 10/1978 Fink  
4,373,463 A 2/1983 Beaudette  
D287,097 S 12/1986 Nelson  
4,649,664 A \* 3/1987 Mahan ..... 43/44.83  
5,519,921 A \* 5/1996 Templer, Jr. .... 24/130

**OTHER PUBLICATIONS**

Brochure of Industrial Sales Corporation for "Grip-Tite"  
(when it comes to bay and bow window units . . . ), cable  
support system, 2 pages, undated.

Brochure of Industrial Sales Corporation for "Grip-Rite"  
(the original industry trusted cable systems . . . ), cable  
support system, 4 pages, undated.

\* cited by examiner

*Primary Examiner*—James Gandy

*Assistant Examiner*—Elizabeth Albert

(74) *Attorney, Agent, or Firm*—Barry R. Lipsitz

(57) **CLAIM**

The ornamental design for a cleat with two-sided jam  
elements, as shown and described.

**DESCRIPTION**

FIG. 1 is a front perspective view showing the design;

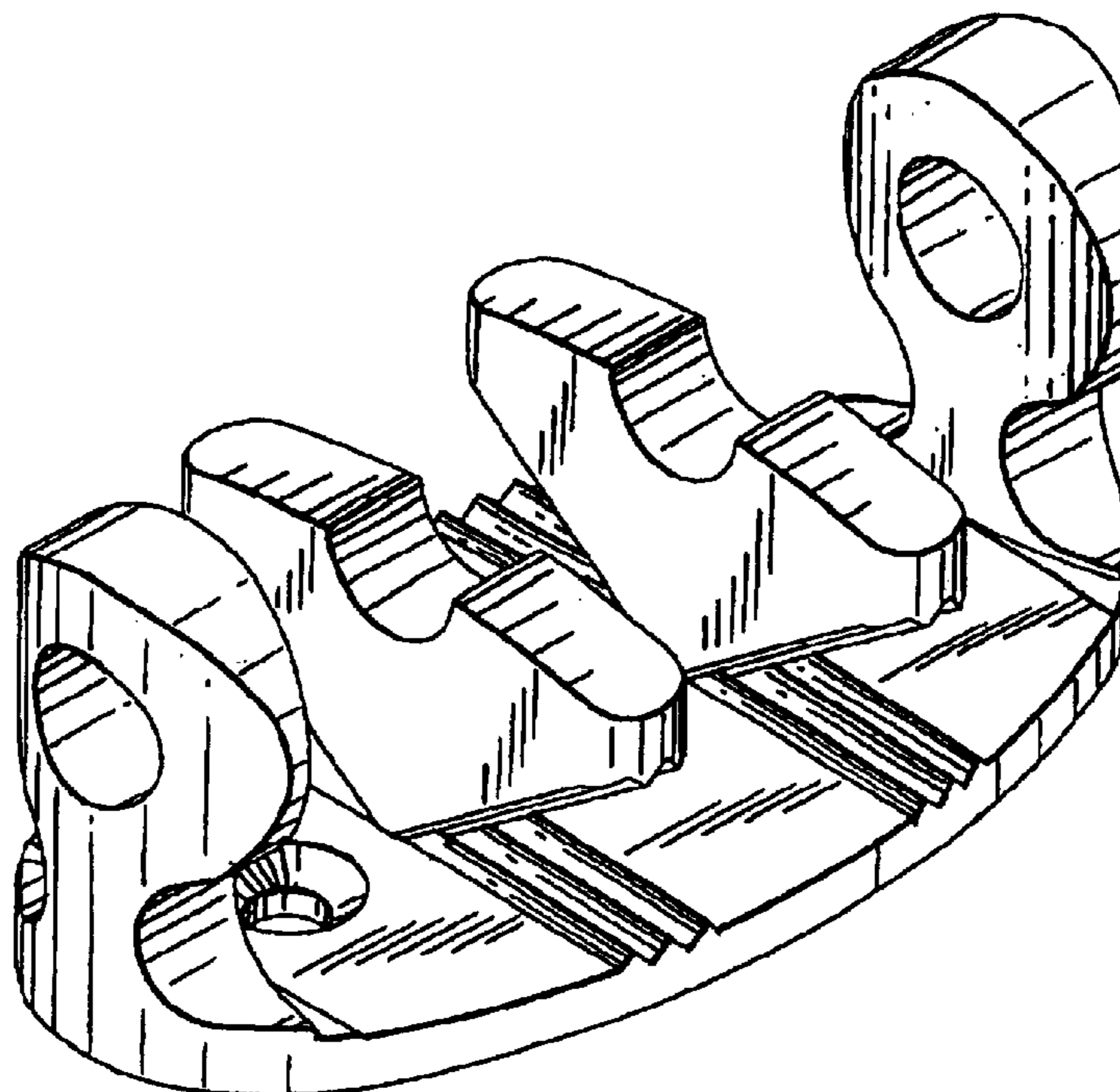
FIG. 2 is a top plan view showing the design;

FIG. 3 is a right side elevational view showing the design,  
the left side view being a mirror image thereof;

FIG. 4 is a front elevational view showing the design, the  
rear view being a mirror image thereof; and,

FIG. 5 is a bottom plan view showing the design.

**1 Claim, 2 Drawing Sheets**



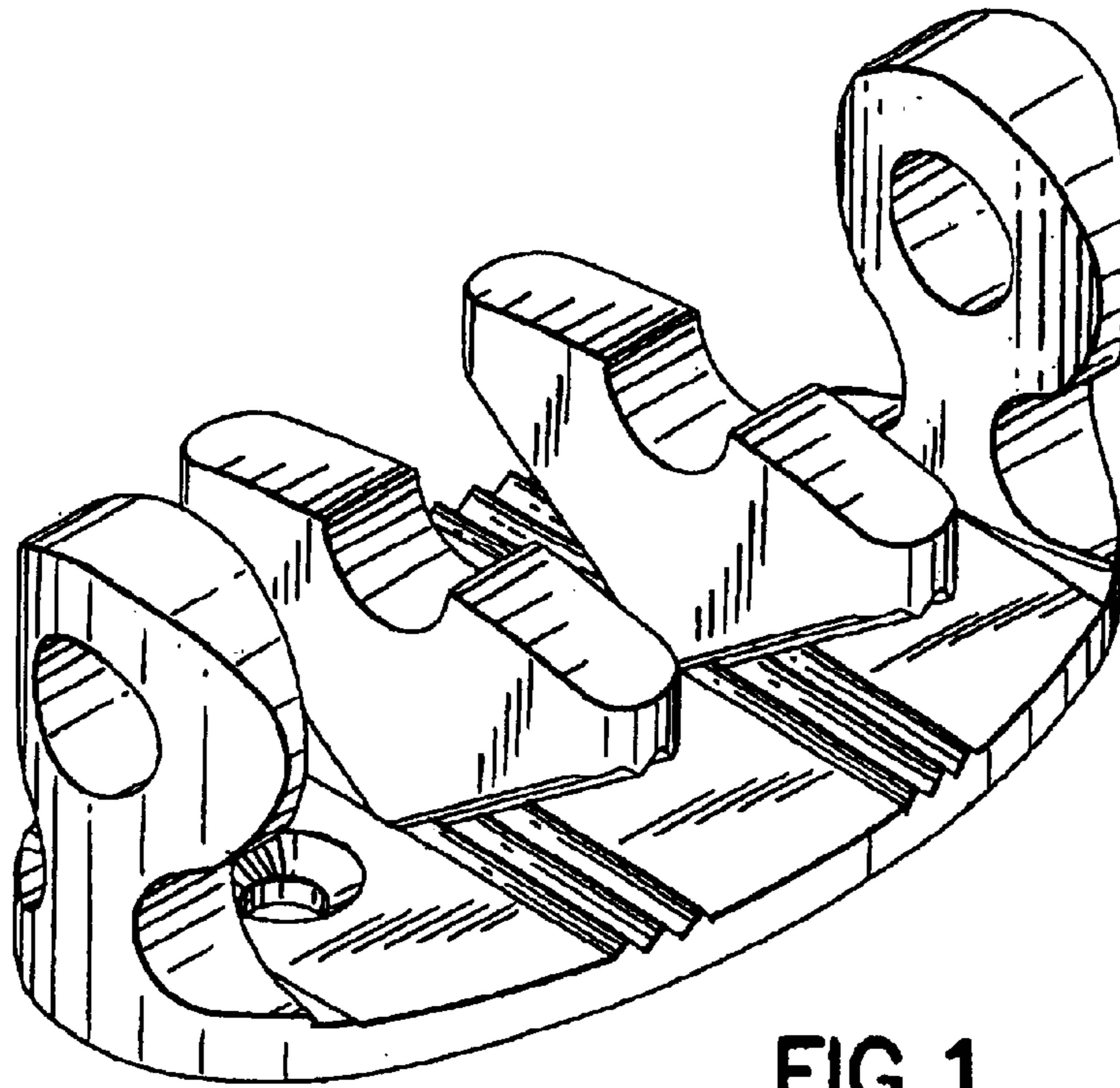


FIG. 1

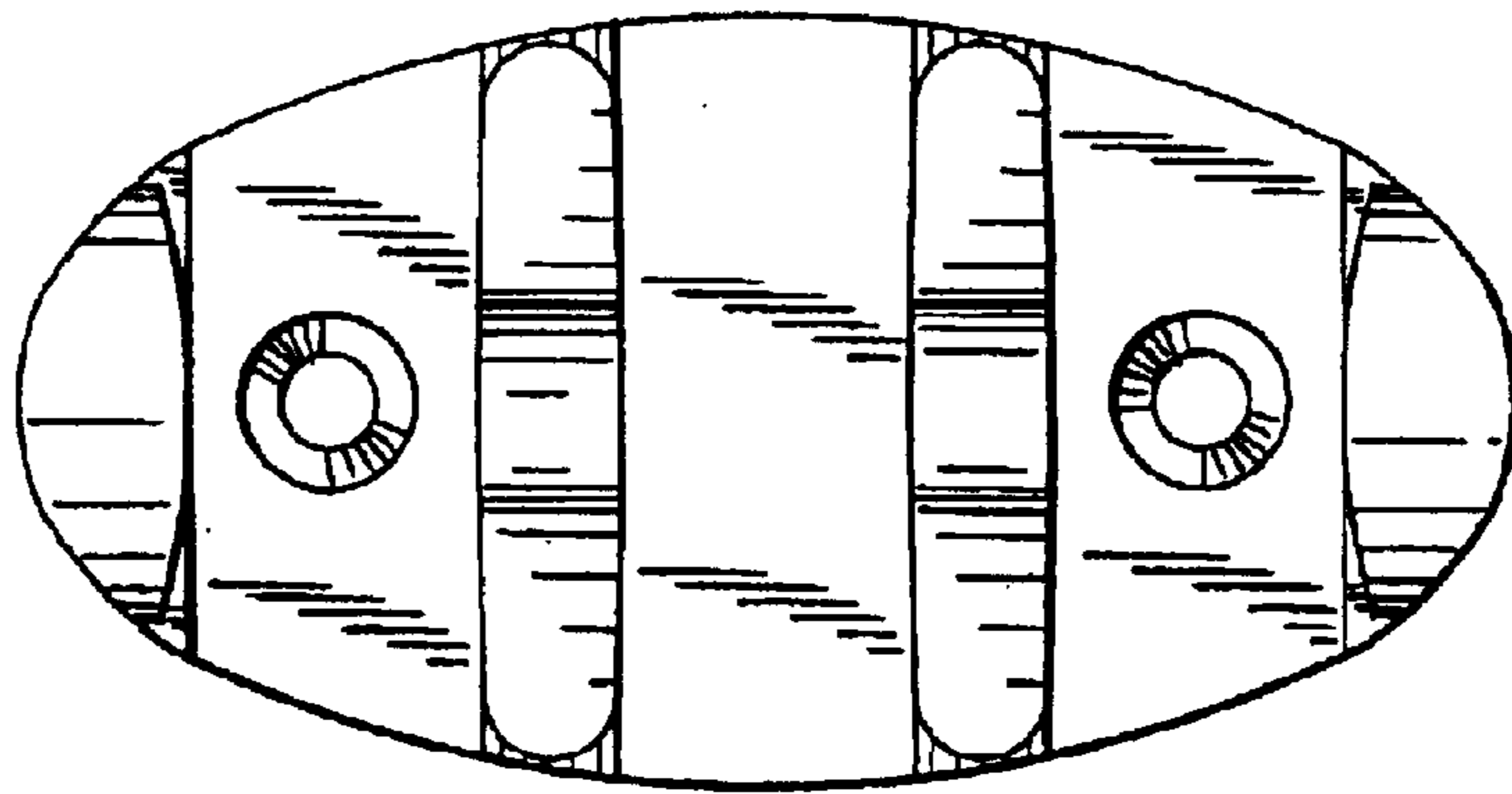


FIG. 2

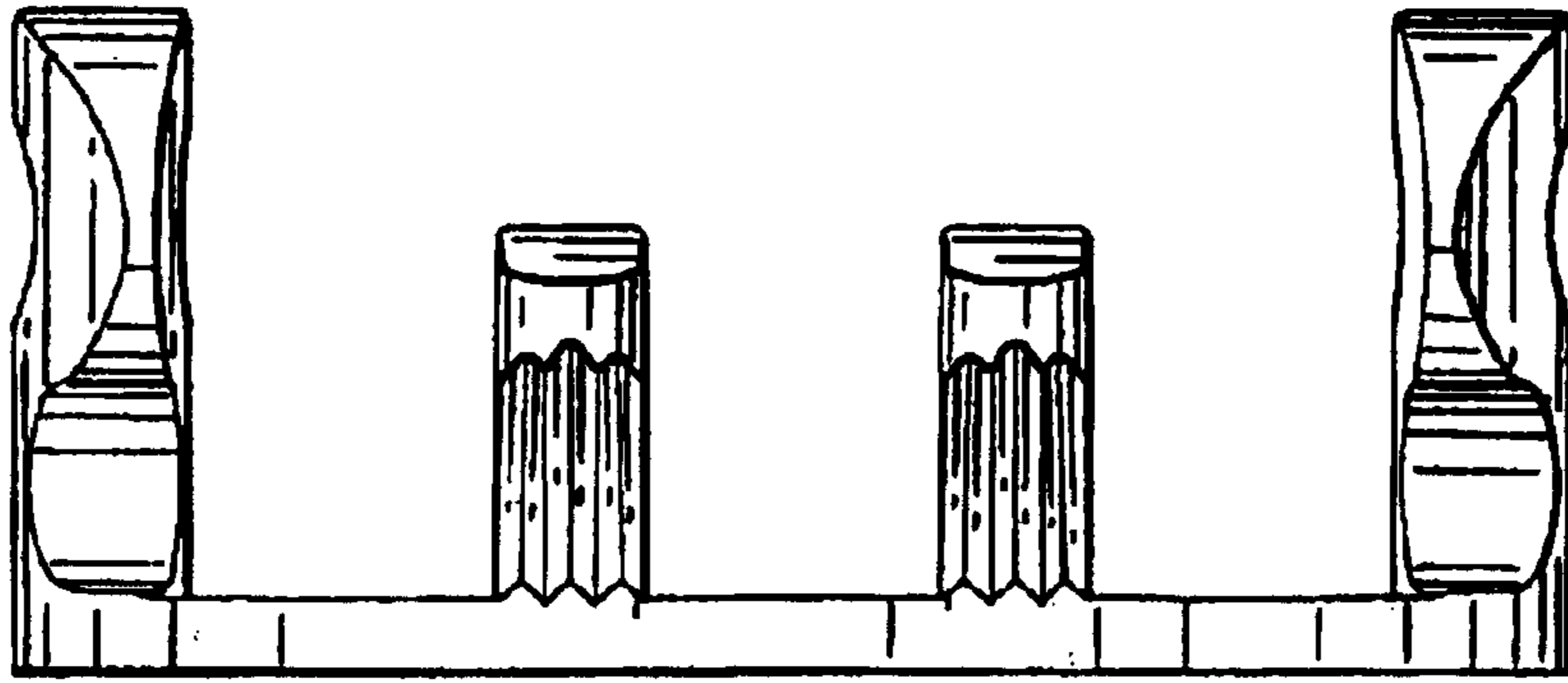


FIG. 3

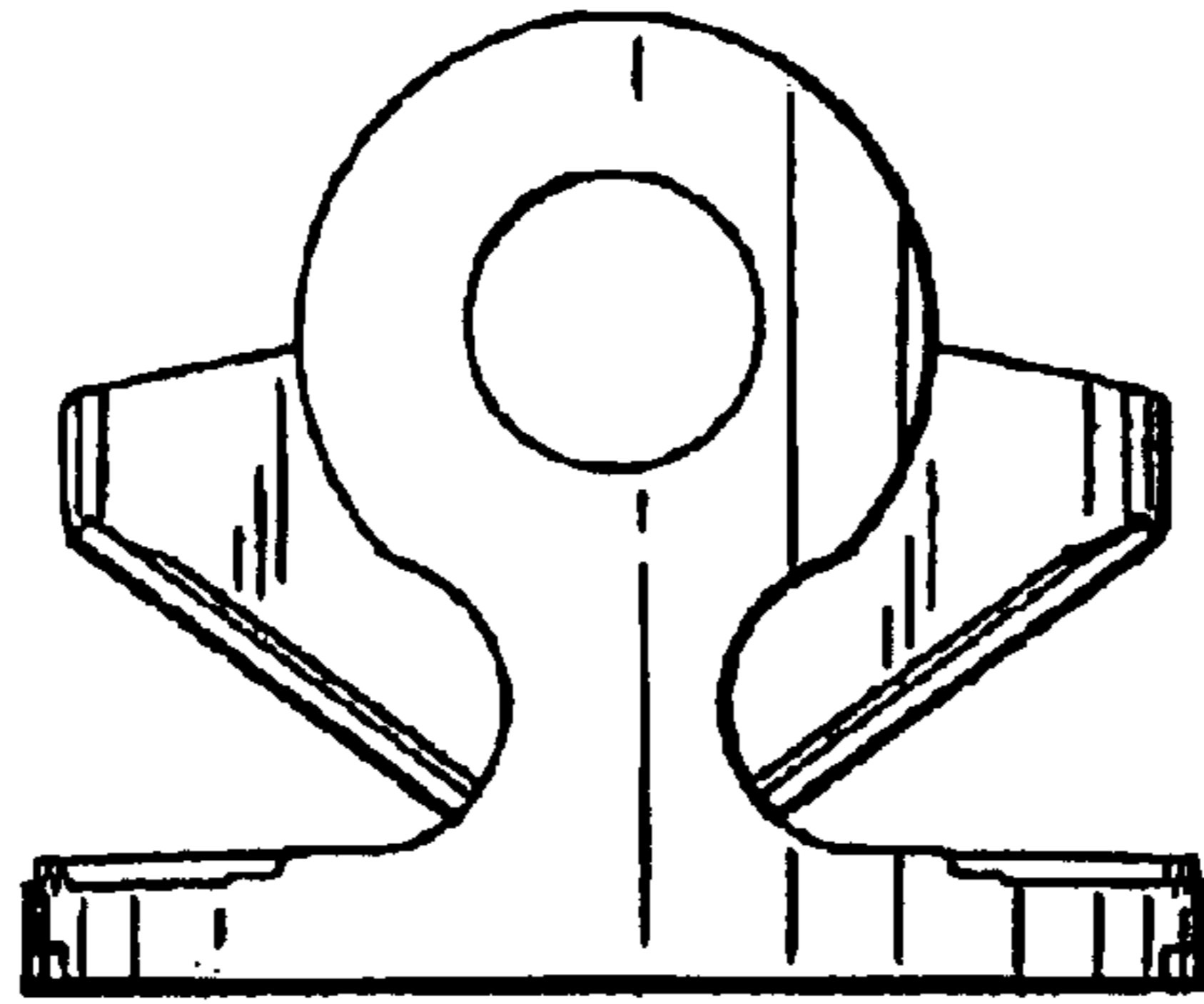


FIG. 4

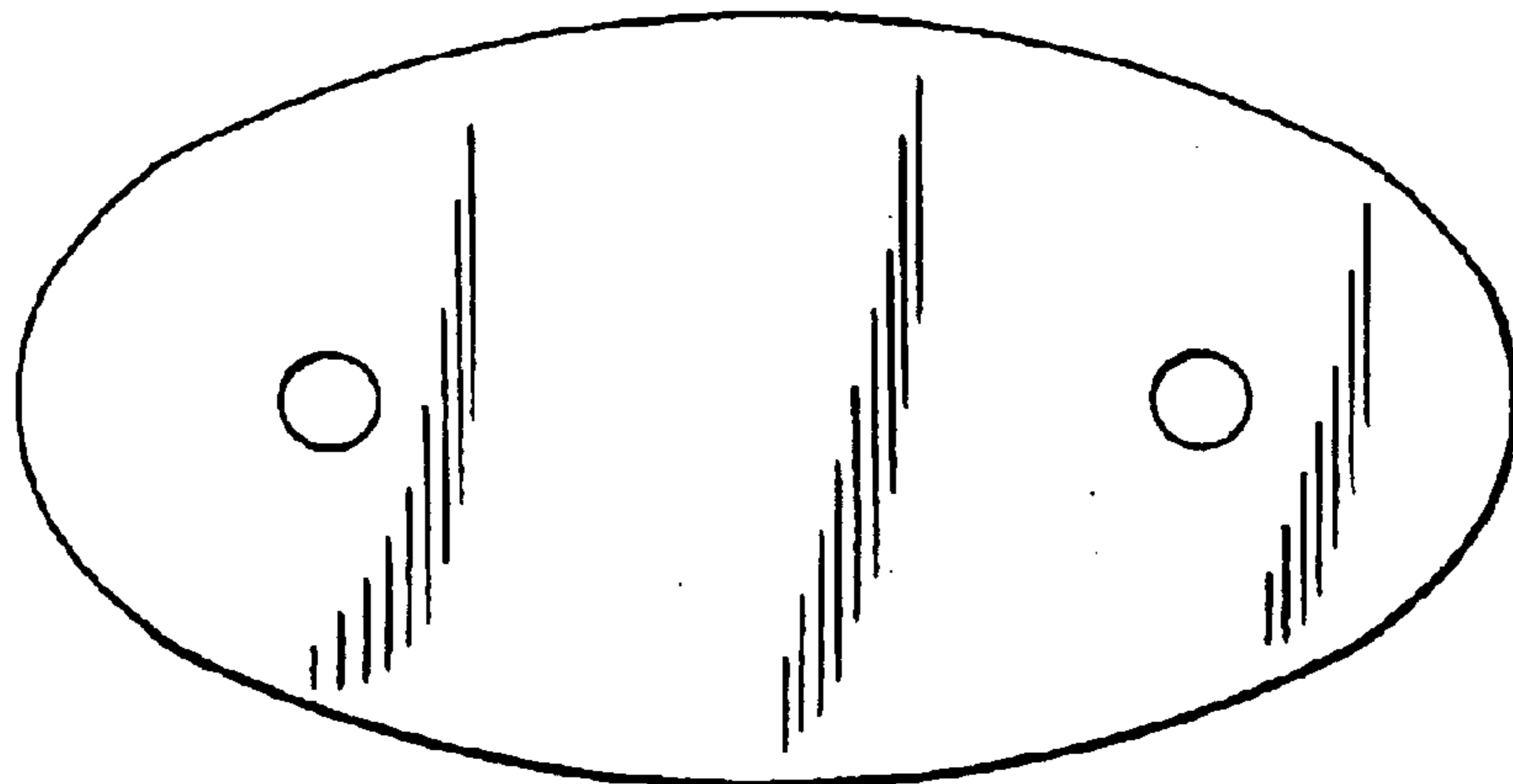


FIG. 5