

US00D494447S1

(12) **United States Design Patent**
Linares

(10) **Patent No.:** **US D494,447 S**
(45) **Date of Patent:** **** Aug. 17, 2004**

(54) **PADDLE HANDLE**

(75) **Inventor:** **Rodolfo Linares, Whittier, CA (US)**

(73) **Assignee:** **S.P.E.P. Acquisition Corporation,**
Rancho Dominguez, CA (US)

(**) **Term:** **14 Years**

(21) **Appl. No.:** **29/175,386**

(22) **Filed:** **Feb. 4, 2003**

(51) **LOC (7) Cl. 08-07**

(52) **U.S. Cl. D8/330**

(58) **Field of Search** D8/330, 331, 336,
D8/338, 339, 300, 301, 302, 303; 70/207,
208, 209, 77, 91, 101, 141; 292/336.3,
359, 348, 337, 207, 203, 195, 198, DIG. 26,
DIG. 31

(56) **References Cited**

U.S. PATENT DOCUMENTS

2,668,076	A	*	2/1954	Troche et al.	292/336.3
D218,672	S	*	9/1970	Lauper	D8/302
4,438,964	A	*	3/1984	Peters	292/207
D303,621	S	*	9/1989	Russell et al.	D8/331
D314,131	S	*	1/1991	Russell et al.	D8/331
5,042,853	A	*	8/1991	Gleason et al.	292/DIG. 31
5,127,686	A	*	7/1992	Gleason et al.	292/336.3

* cited by examiner

Primary Examiner—Prabhakar Deshmukh

(74) *Attorney, Agent, or Firm*—Christie, Parker & Hale,
LLP

(57) **CLAIM**

The ornamental design for paddle handle, as shown and described.

DESCRIPTION

FIG. 1 is a front right perspective view of the paddle handle of the invention in the locked position.

FIG. 2 is a front elevational view of the paddle handle of FIG. 1.

FIG. 3 is a back elevational view of the paddle handle of FIG. 1.

FIG. 4 is a top plan view of the paddle handle of FIG. 1.

FIG. 5 is a bottom plan view of the paddle handle of FIG. 1.

FIG. 6 is a right side view of the paddle handle of FIG. 1.

FIG. 7 is a left side view of the paddle handle of FIG. 1.

FIG. 8 is a front right perspective view of the paddle handle of the invention of FIG. 1, but in the unlocked position.

FIG. 9 is a front elevational view of the paddle handle of FIG. 8.

FIG. 10 is a back elevational view of the paddle handle of FIG. 8.

FIG. 11 is a top plan view of the paddle handle of FIG. 8.

FIG. 12 is a bottom plan view of the paddle handle of FIG. 8.

FIG. 13 is a right side view of the paddle handle of FIG. 8; and,

FIG. 14 is a left side view of the paddle handle of FIG. 8.

The broken lines are for illustrative purposes only and forms no part of the claimed design.

1 Claim, 8 Drawing Sheets

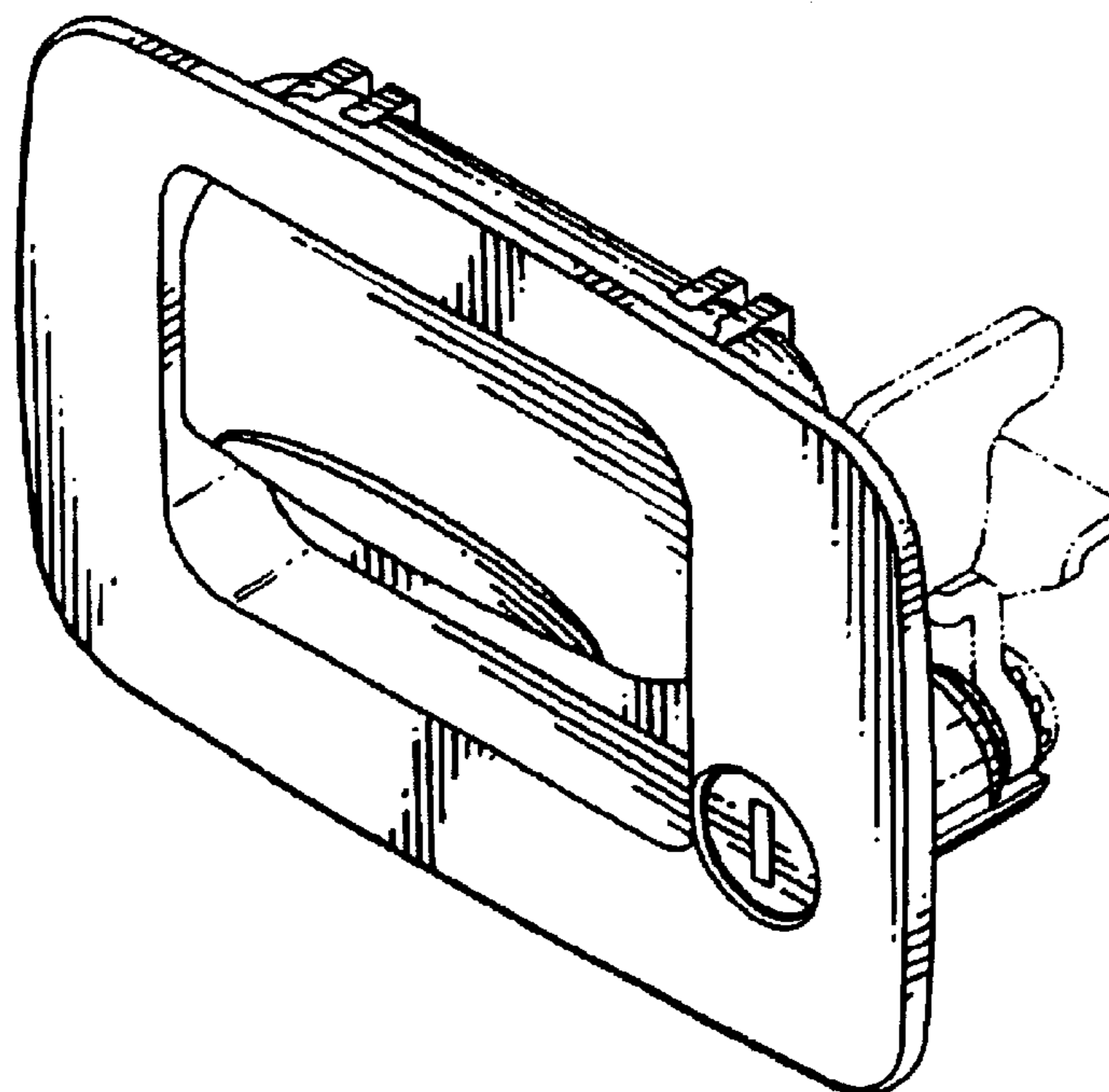
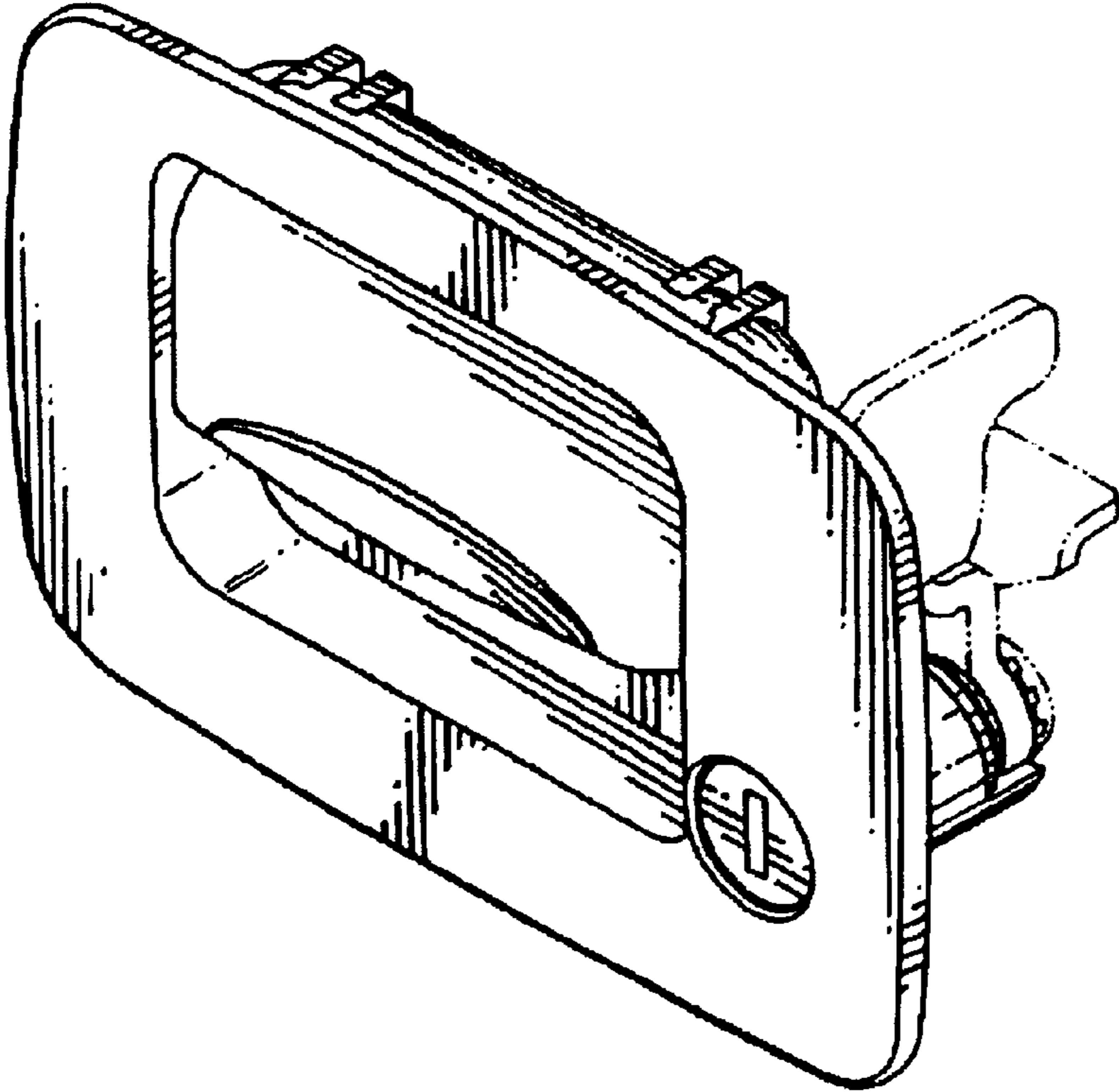


FIG. 1



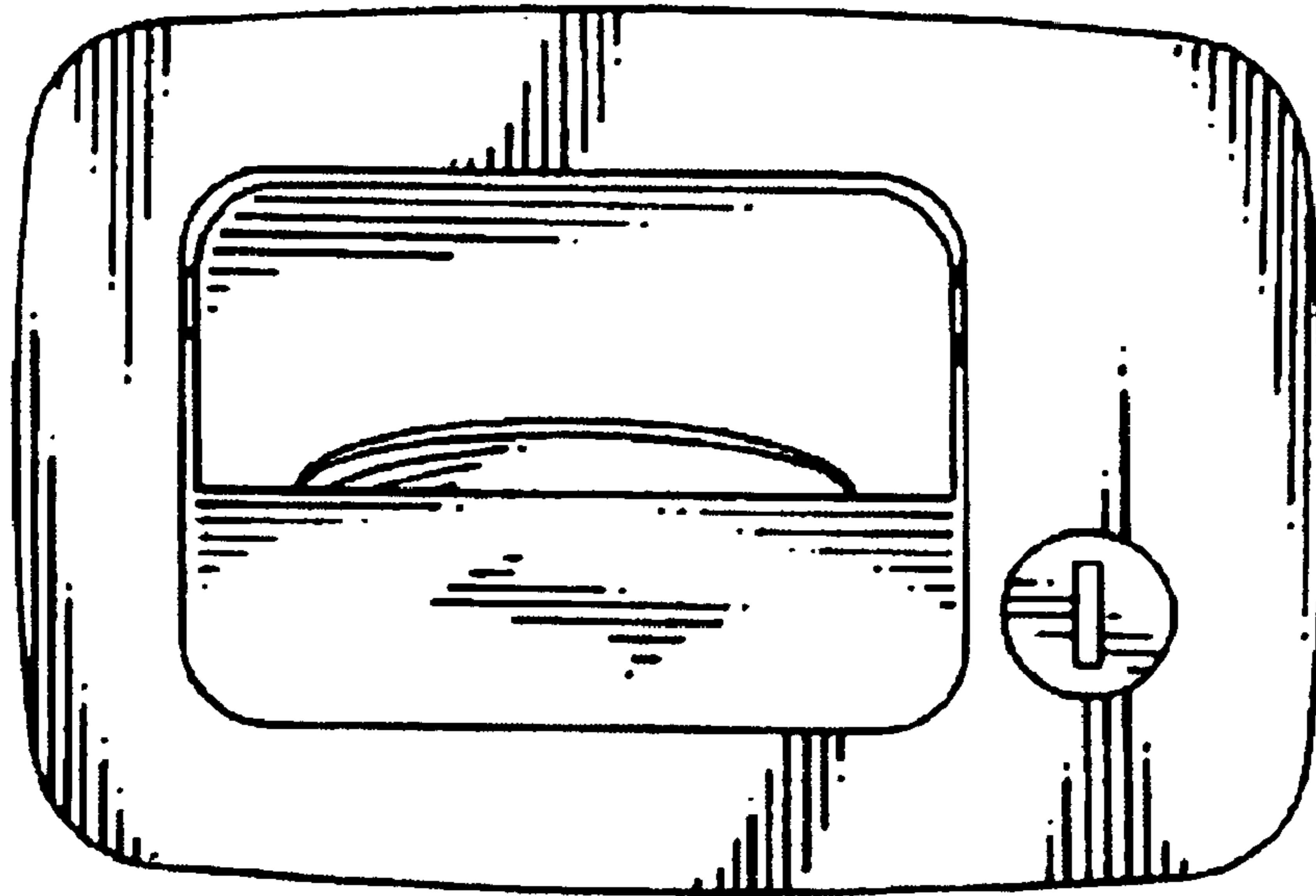


FIG. 2

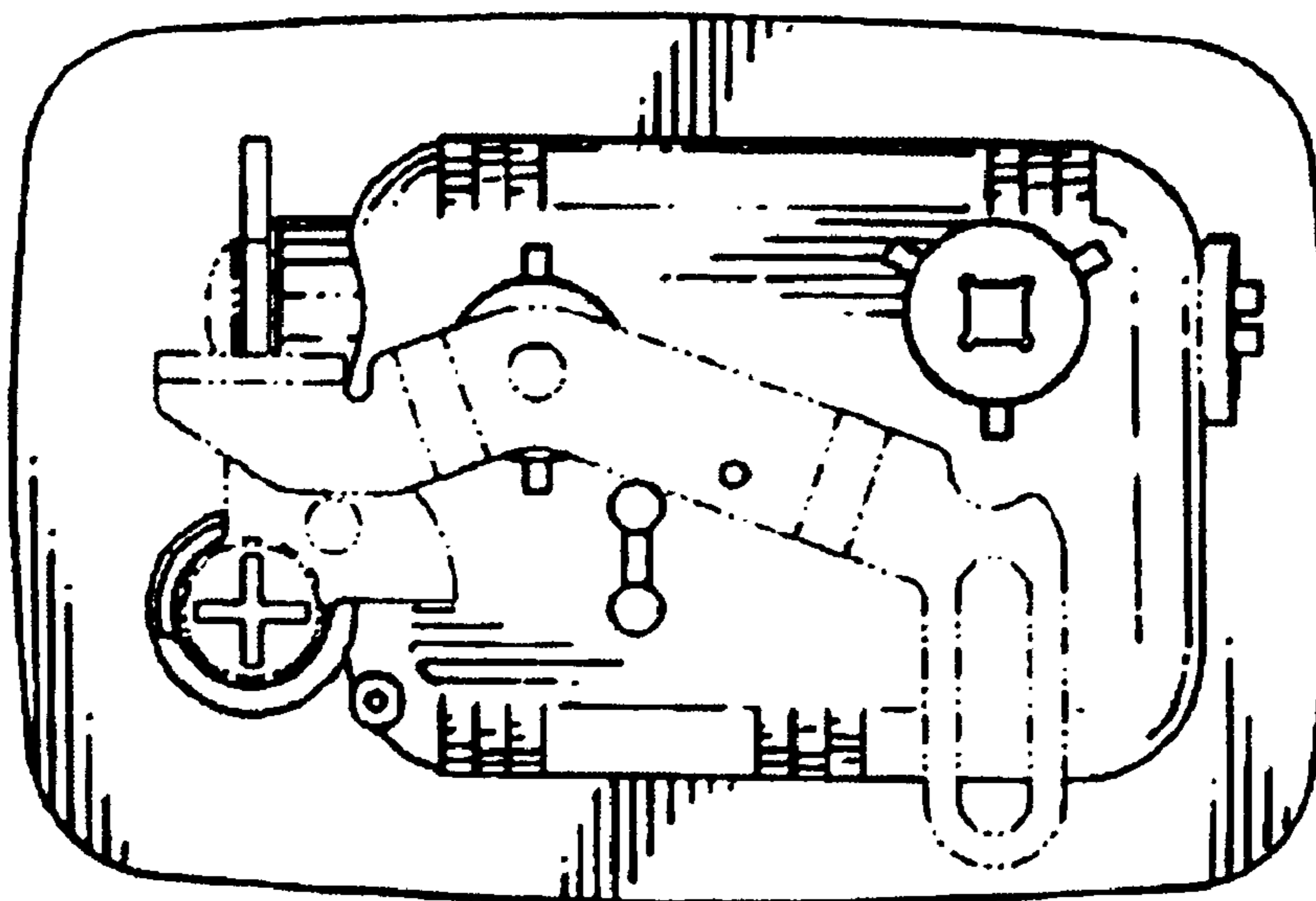


FIG. 3

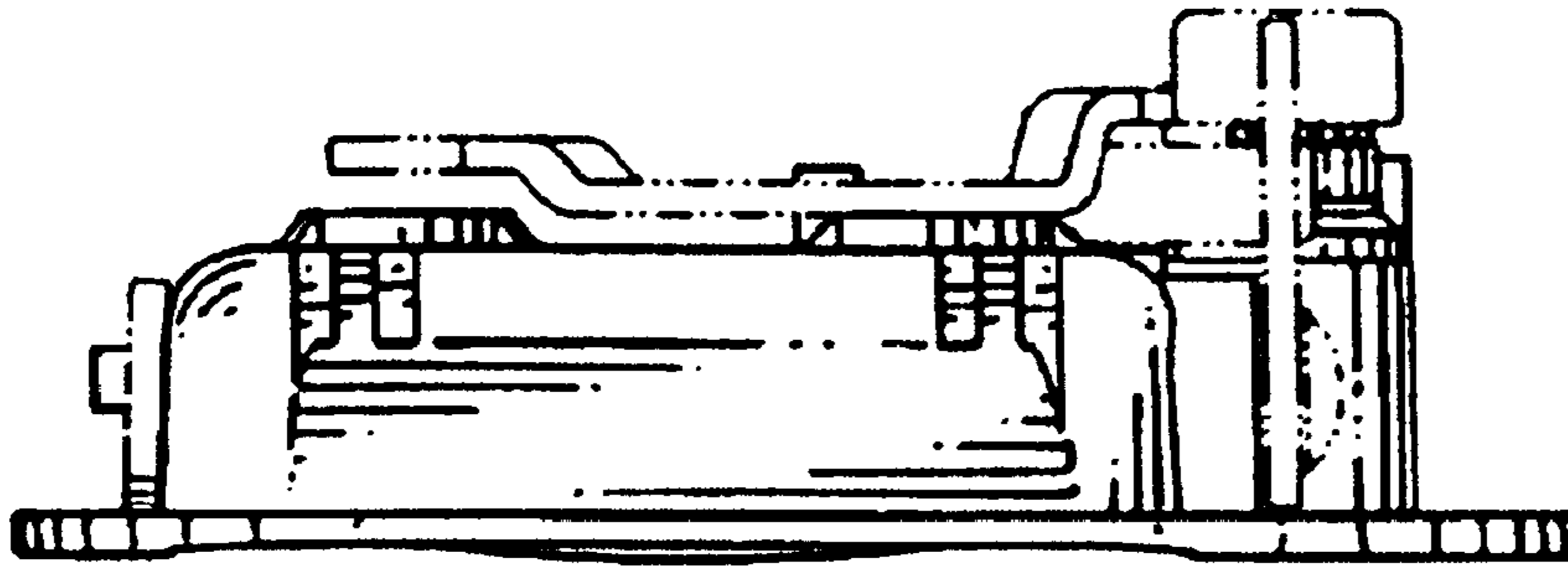


FIG. 4

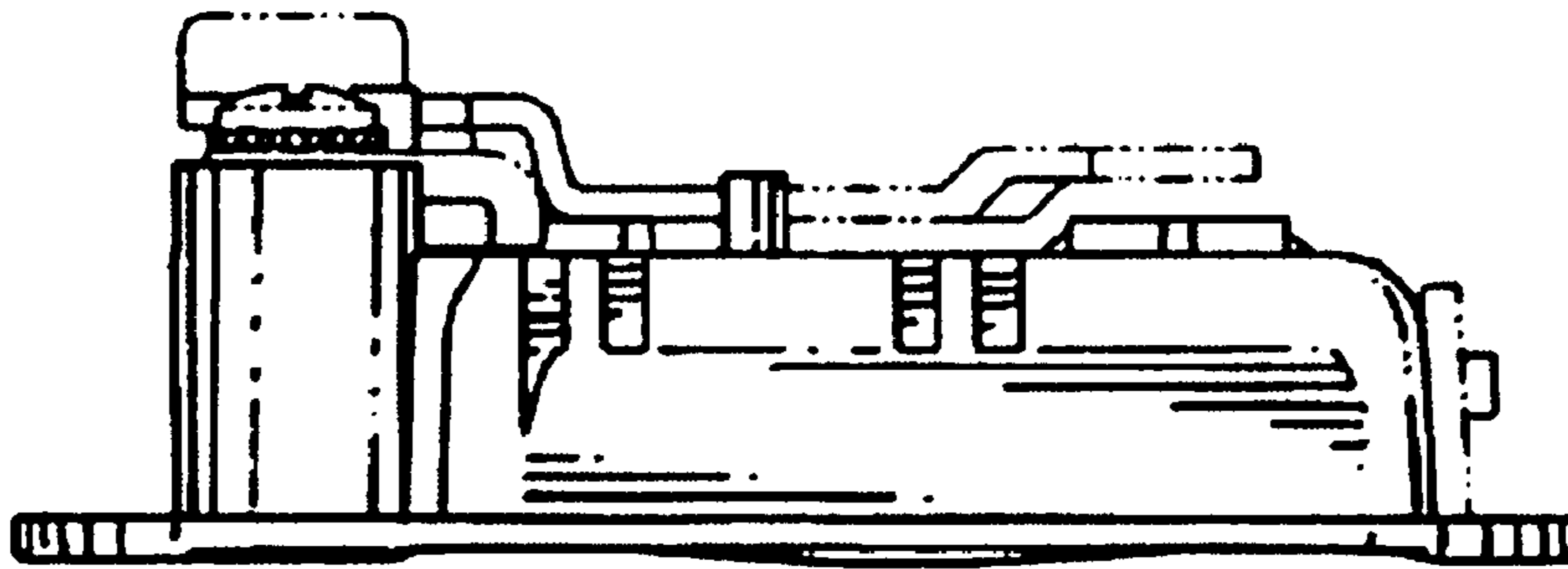


FIG. 5

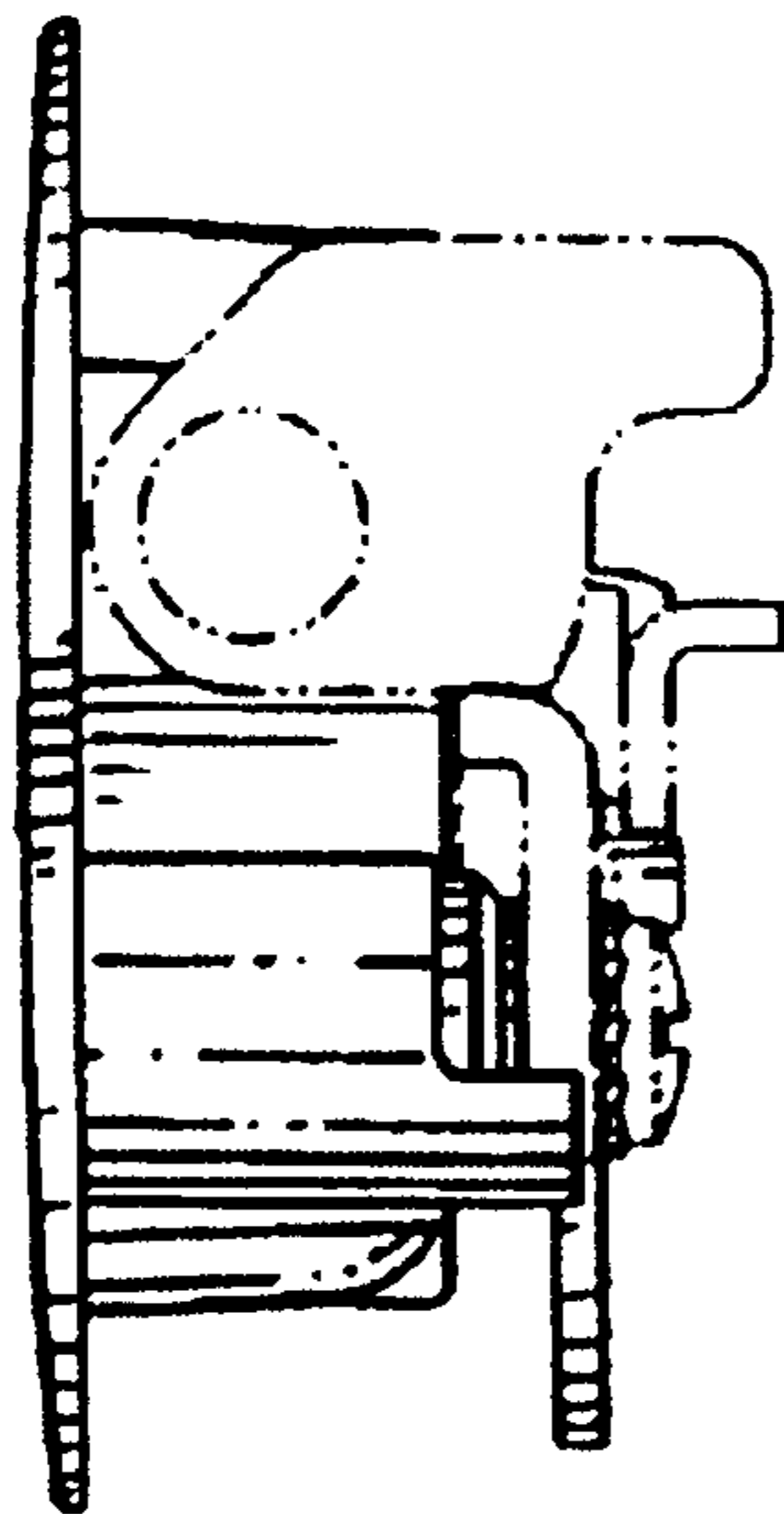


FIG. 6

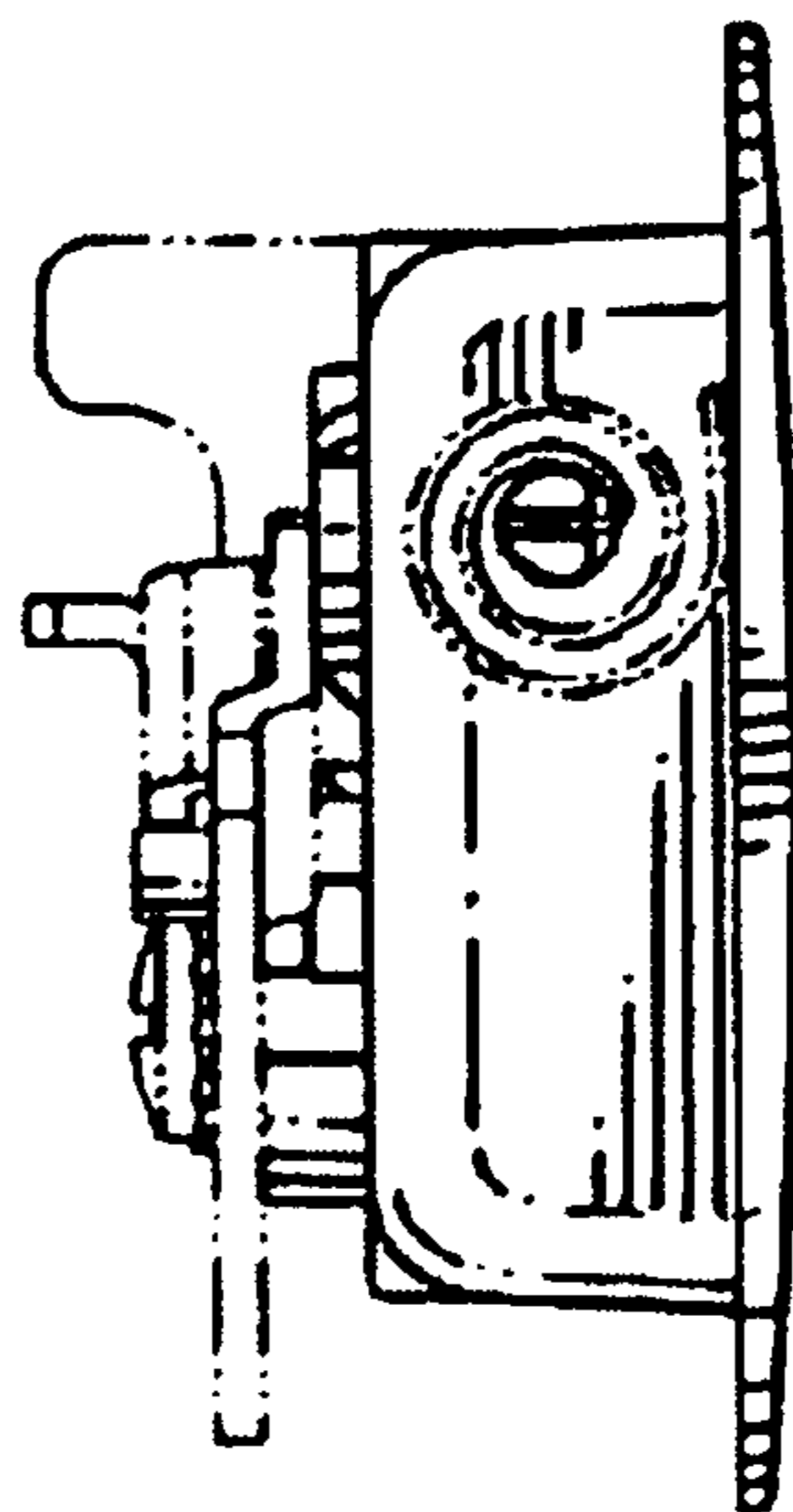
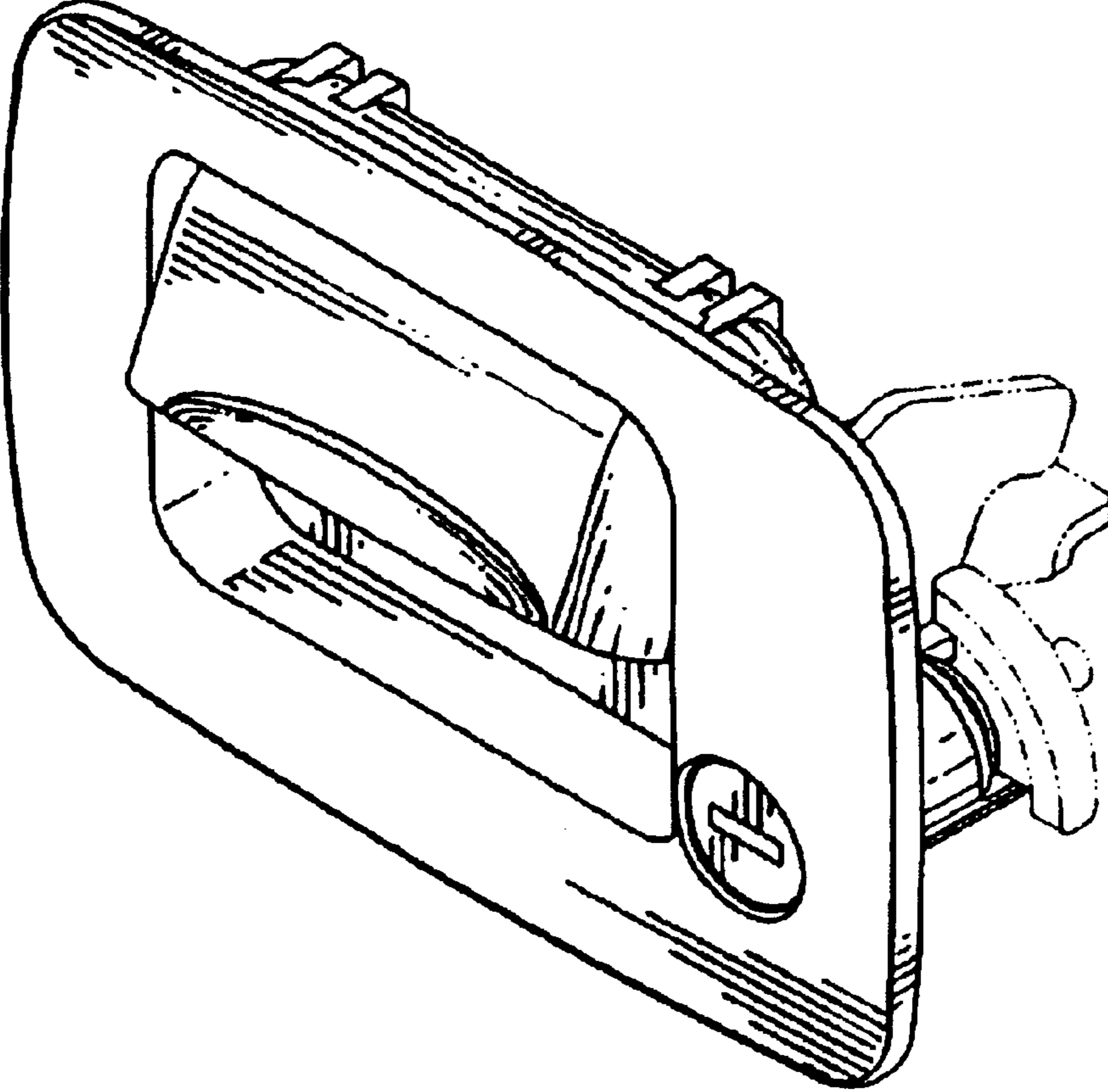


FIG. 7

FIG. 8



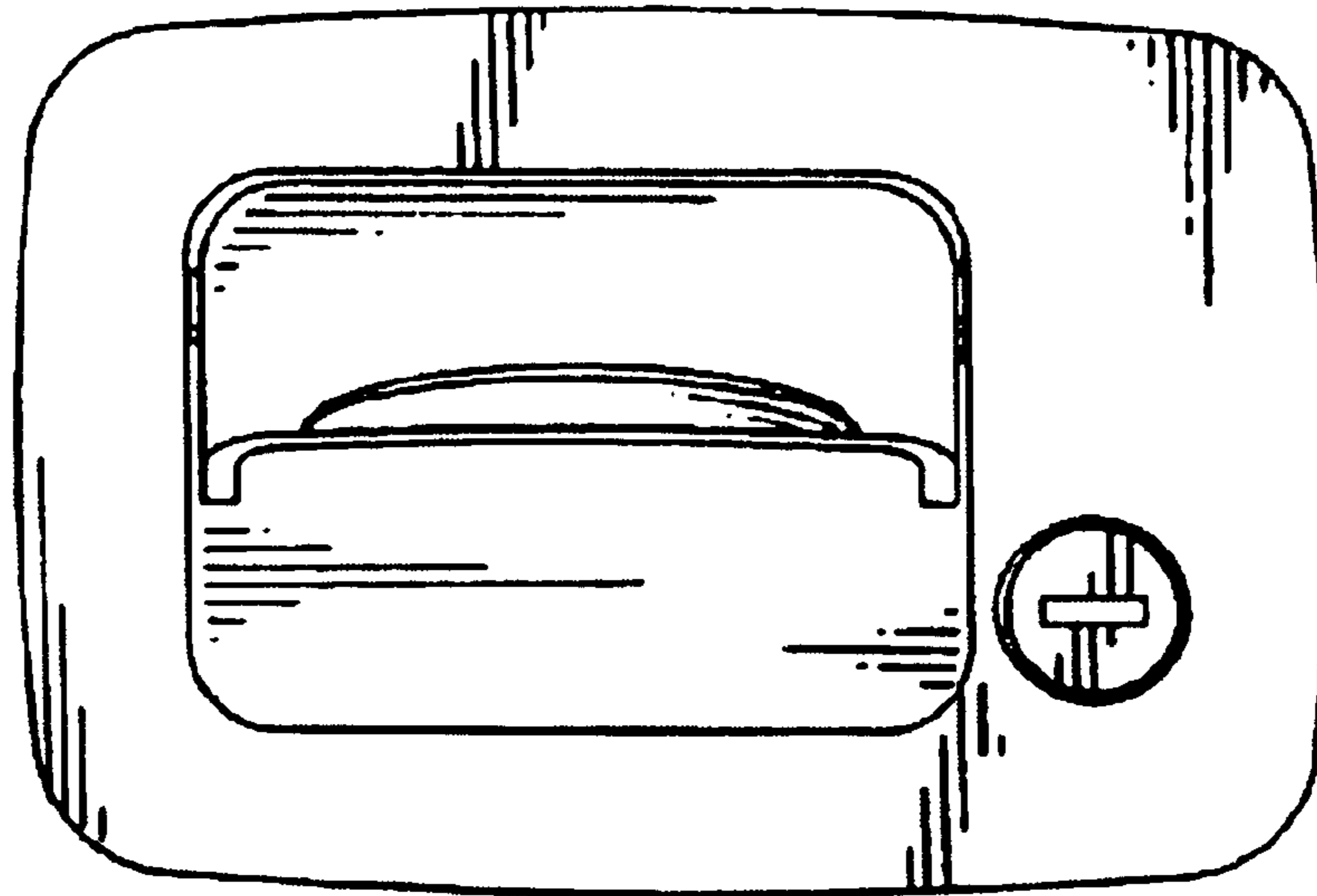


FIG. 9

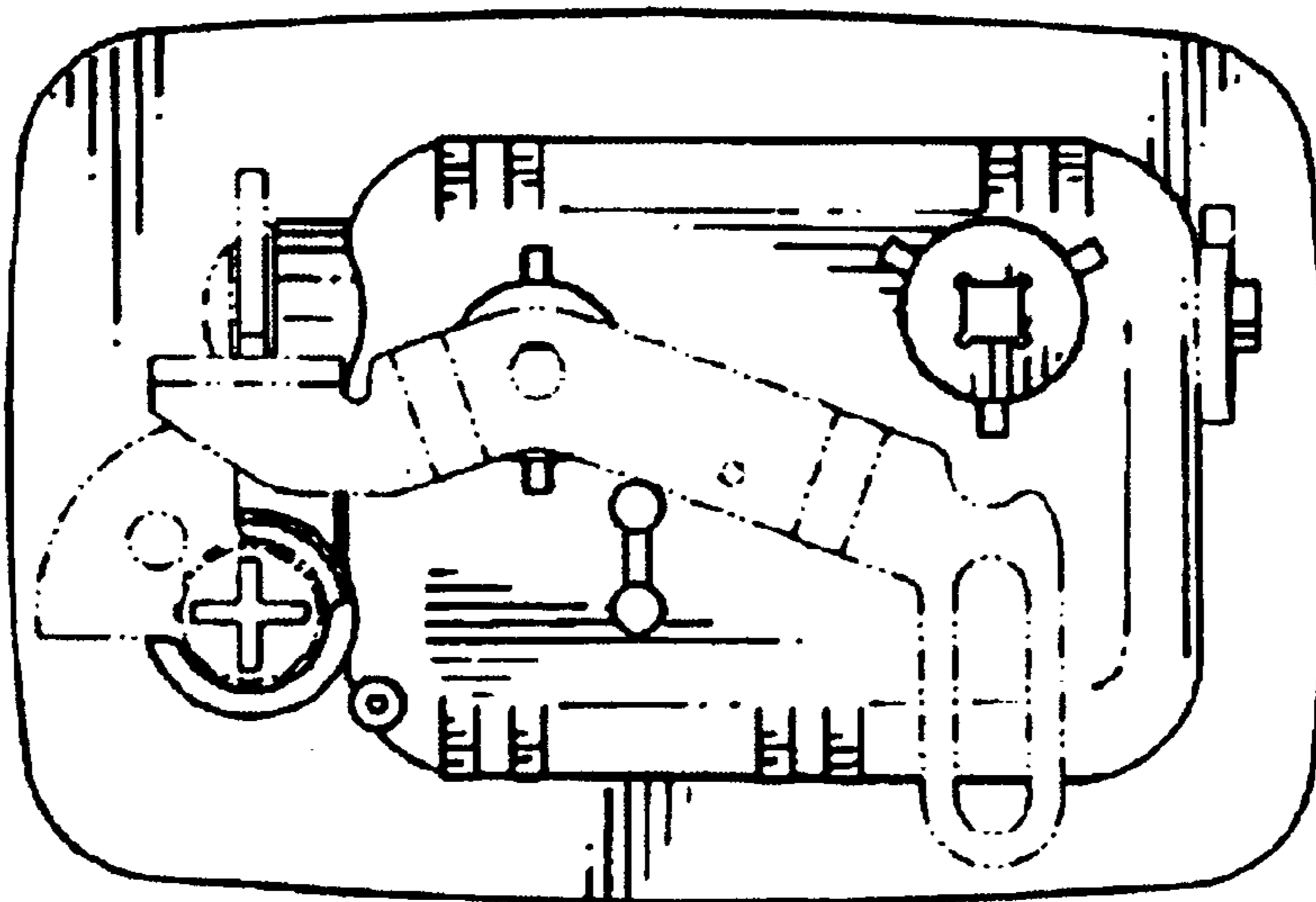


FIG. 10

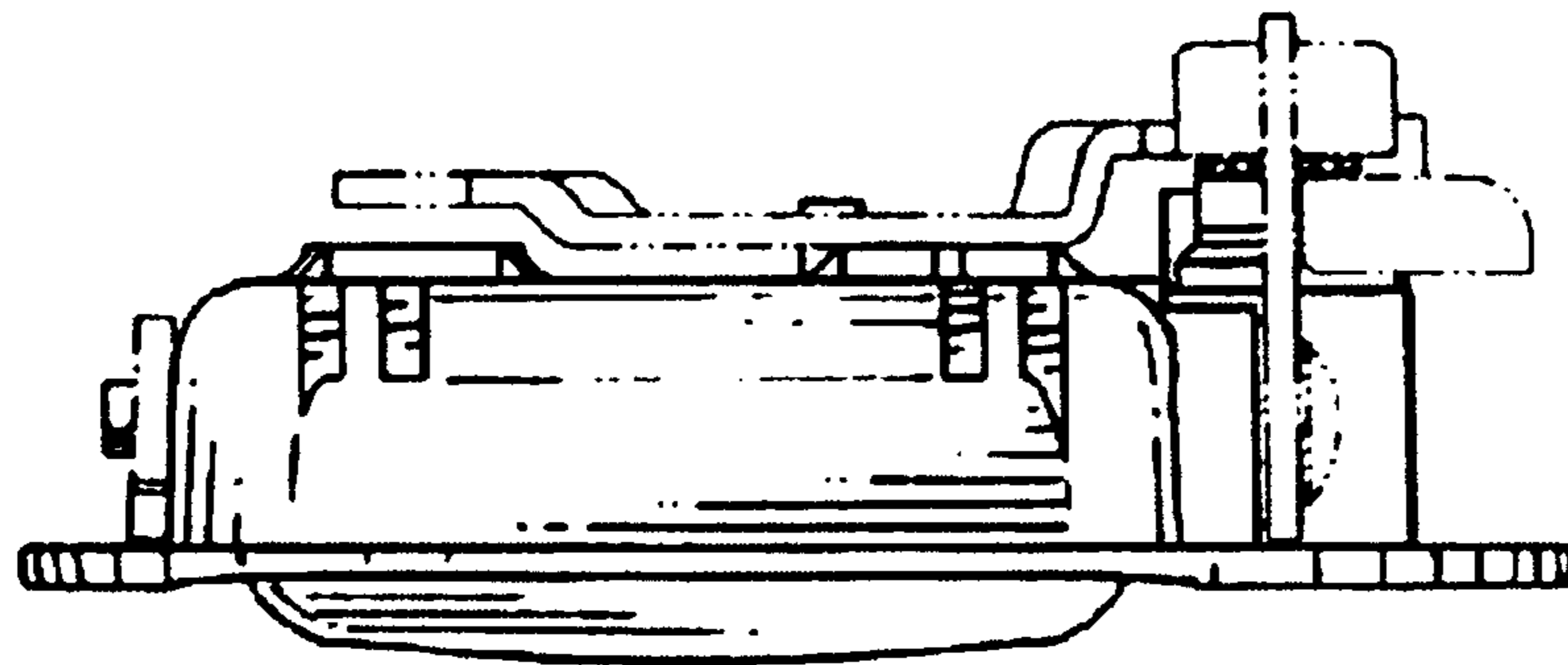


FIG. 11

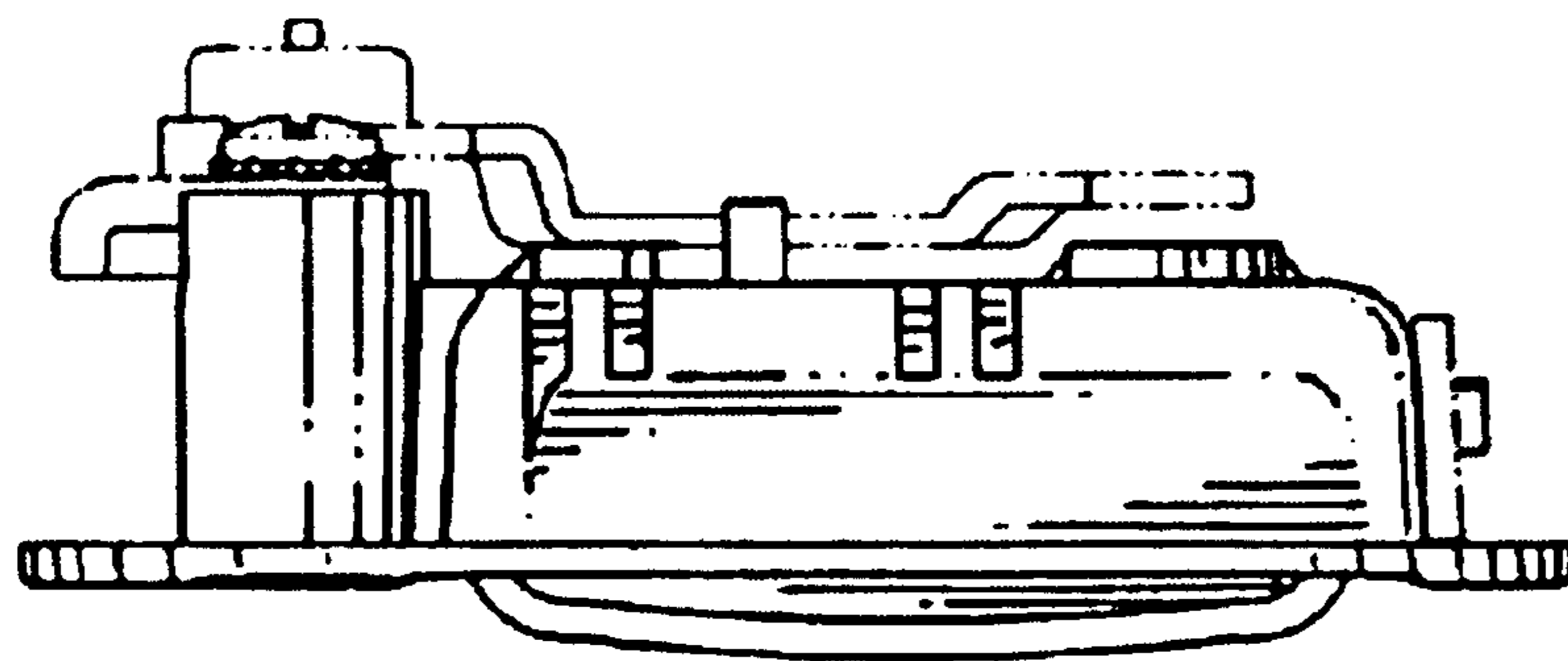


FIG. 12

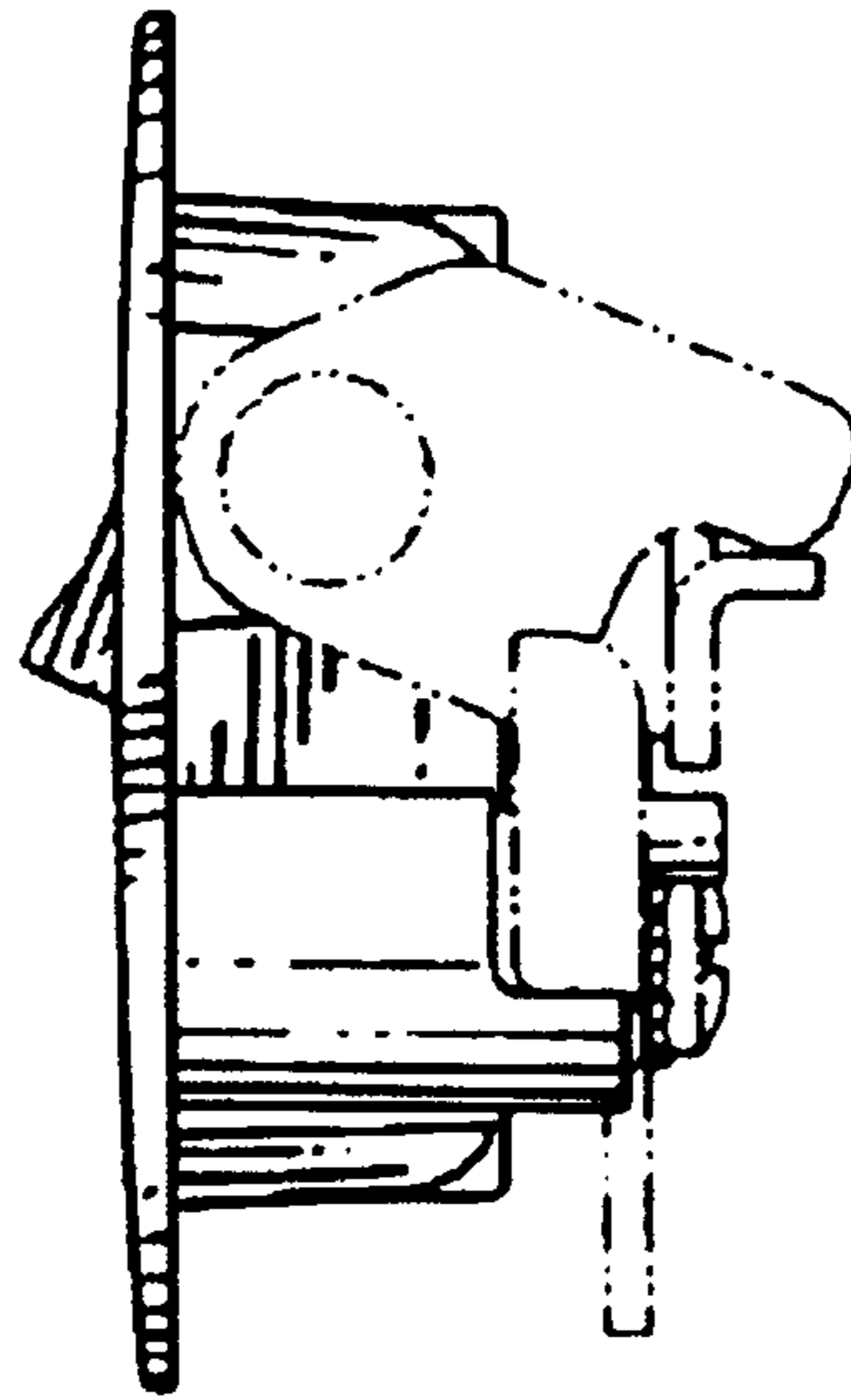


FIG. 13

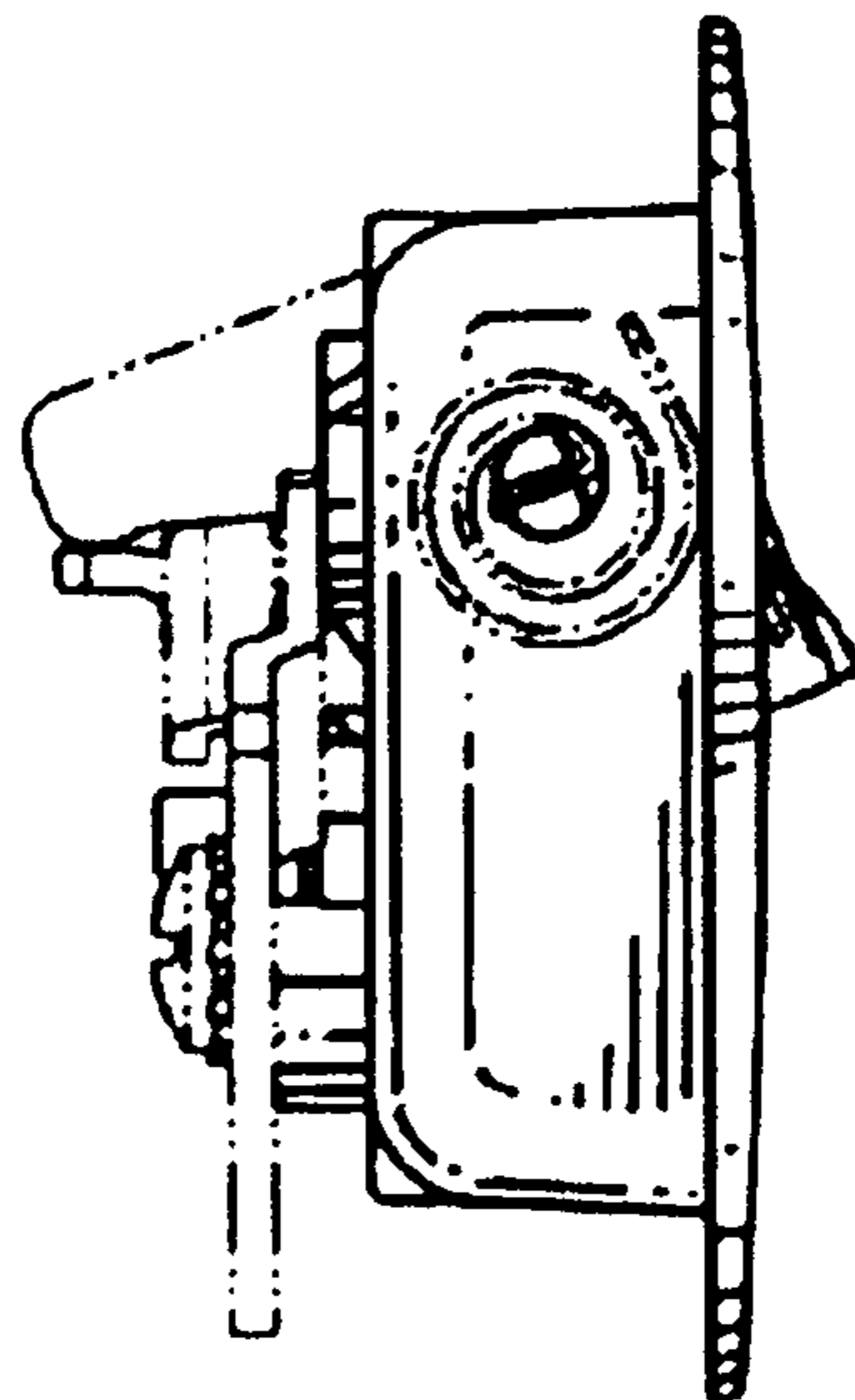


FIG. 14