

US00D494437S1

(12) **United States Design Patent** (10) **Patent No.:** **US D494,437 S**
Scarla (45) **Date of Patent:** **** Aug. 17, 2004**

(54) **FOLDING UTILITY KNIFE**
(75) Inventor: **Robert Scarla**, Scottsdale, AZ (US)
(73) Assignee: **RES Holdings, LLC**, Scottsdale, AZ (US)
(**) Term: **14 Years**
(21) Appl. No.: **29/187,327**
(22) Filed: **Jul. 30, 2003**
(51) **LOC (7) Cl.** **08-03**
(52) **U.S. Cl.** **D8/99**
(58) **Field of Search** D8/98, 99, 105;
30/154, 155, 156, 157, 158, 159, 160, 161,
330

(56) **References Cited**
U.S. PATENT DOCUMENTS
D373,062 S * 8/1996 Neron D8/99
5,769,094 A * 6/1998 Jenkins et al. 30/161
D422,479 S * 4/2000 Pardue D8/99
D437,767 S * 2/2001 Van Deursen D8/99
6,354,007 B1 * 3/2002 Scarla 30/156
D474,669 S * 5/2003 Onion D8/99
6,574,868 B1 * 6/2003 Overholt 30/155

* cited by examiner

Primary Examiner—Philip S. Hyder
(74) *Attorney, Agent, or Firm*—Snell & Wilmer L.L.P.

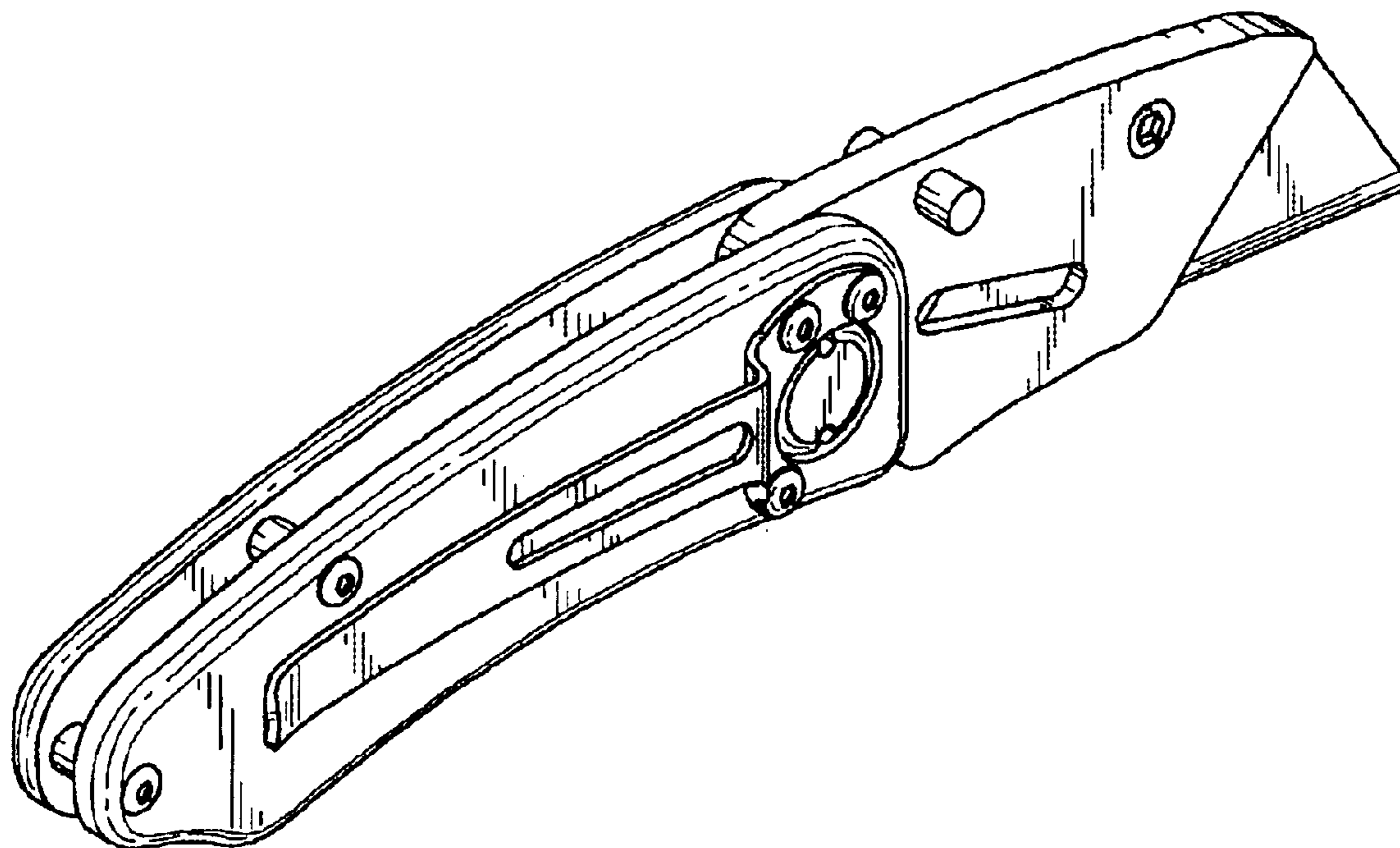
(57) **CLAIM**

The ornamental design for a folding utility knife, as shown and described.

DESCRIPTION

FIG. 1 is a top perspective view of a folding utility knife showing my new design in the open position;
FIG. 2 is a bottom perspective view thereof;
FIG. 3 is a front view thereof;
FIG. 4 is a rear view thereof;
FIG. 5 is a right side view thereof;
FIG. 6 is a left side view thereof;
FIG. 7 is a top view thereof;
FIG. 8 is a bottom view thereof;
FIG. 9 is a top perspective view of the knife in a folded position;
FIG. 10 is a bottom perspective view of the knife thereof;
FIG. 11 is a front view of the knife thereof;
FIG. 12 is a rear view of the knife thereof;
FIG. 13 is a right side view thereof;
FIG. 14 is a left side view thereof;
FIG. 15 is a top view thereof; and,
FIG. 16 is a bottom view thereof.

1 Claim, 7 Drawing Sheets



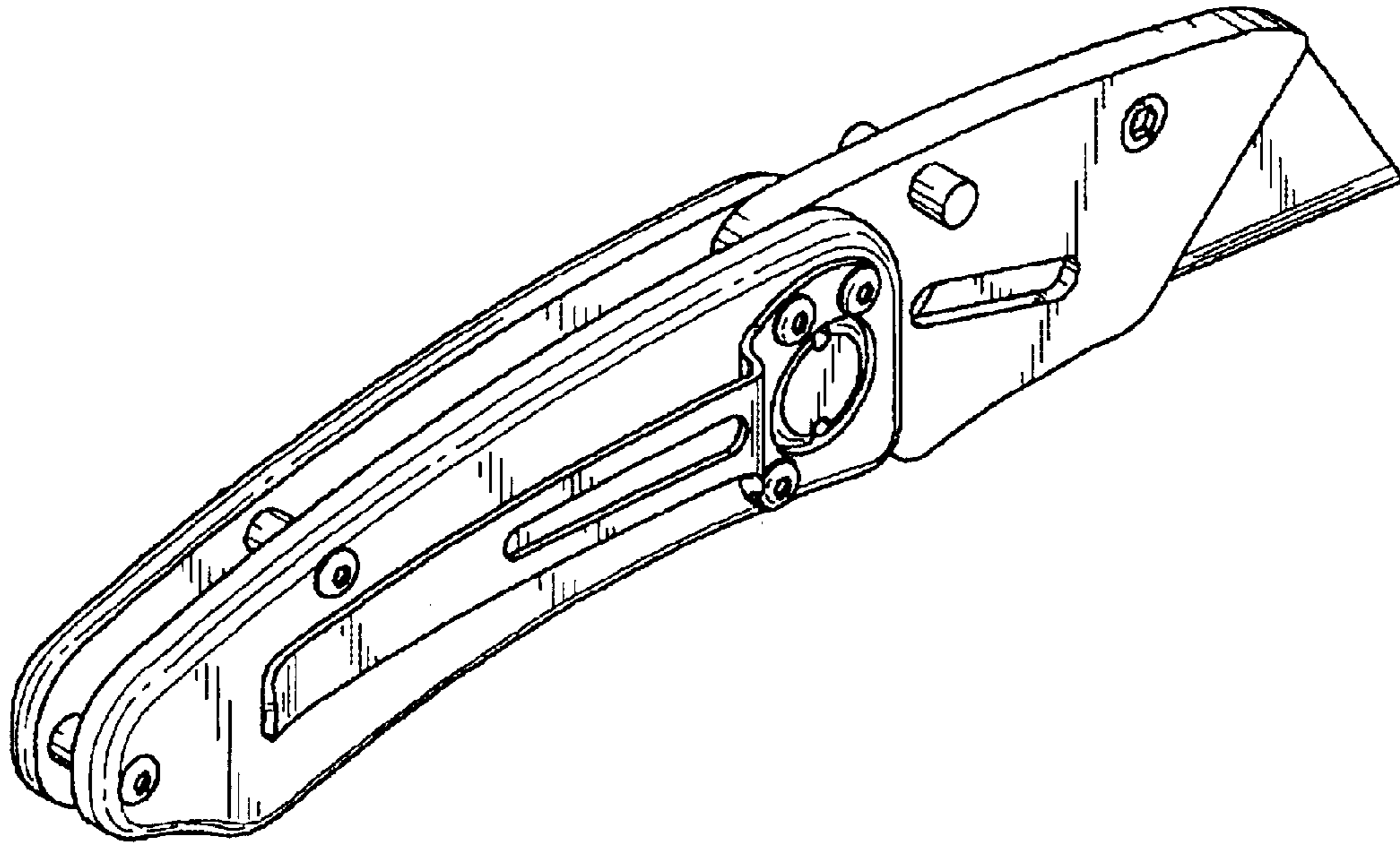


FIG. 1

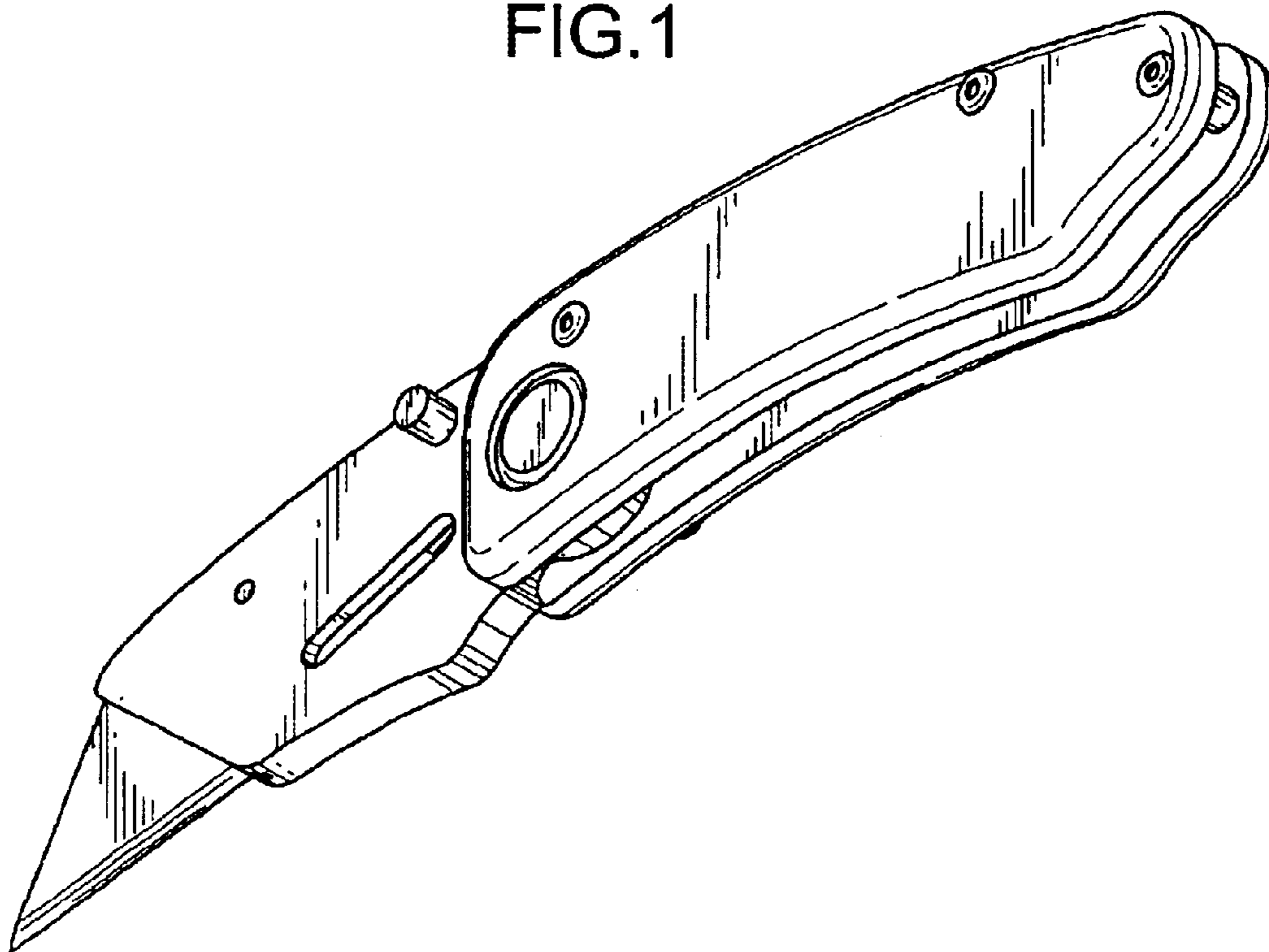


FIG. 2

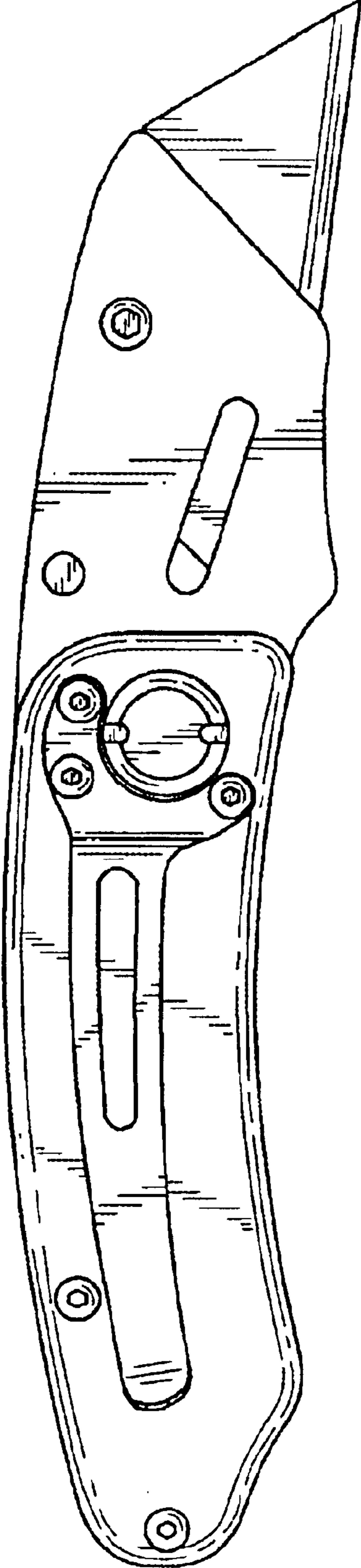


FIG.3

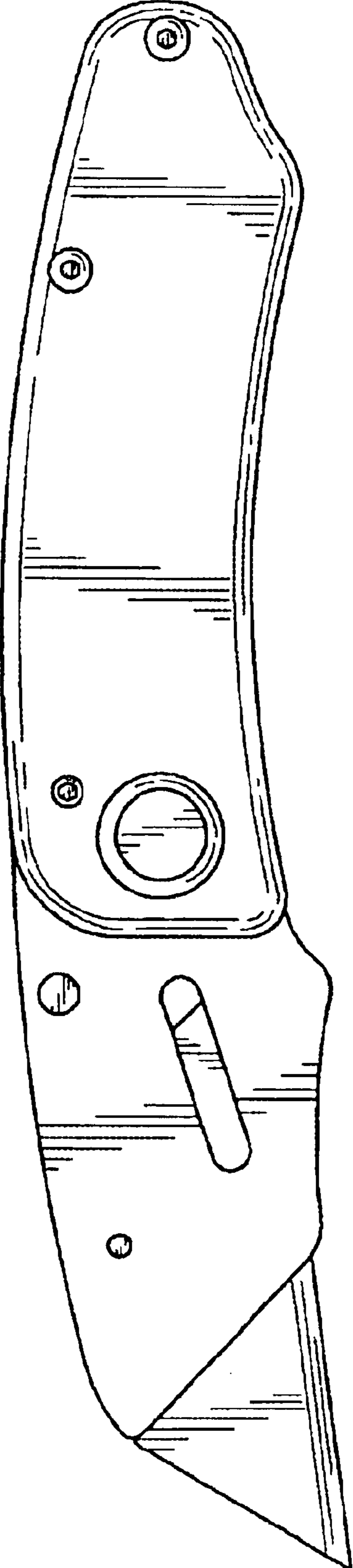


FIG.4

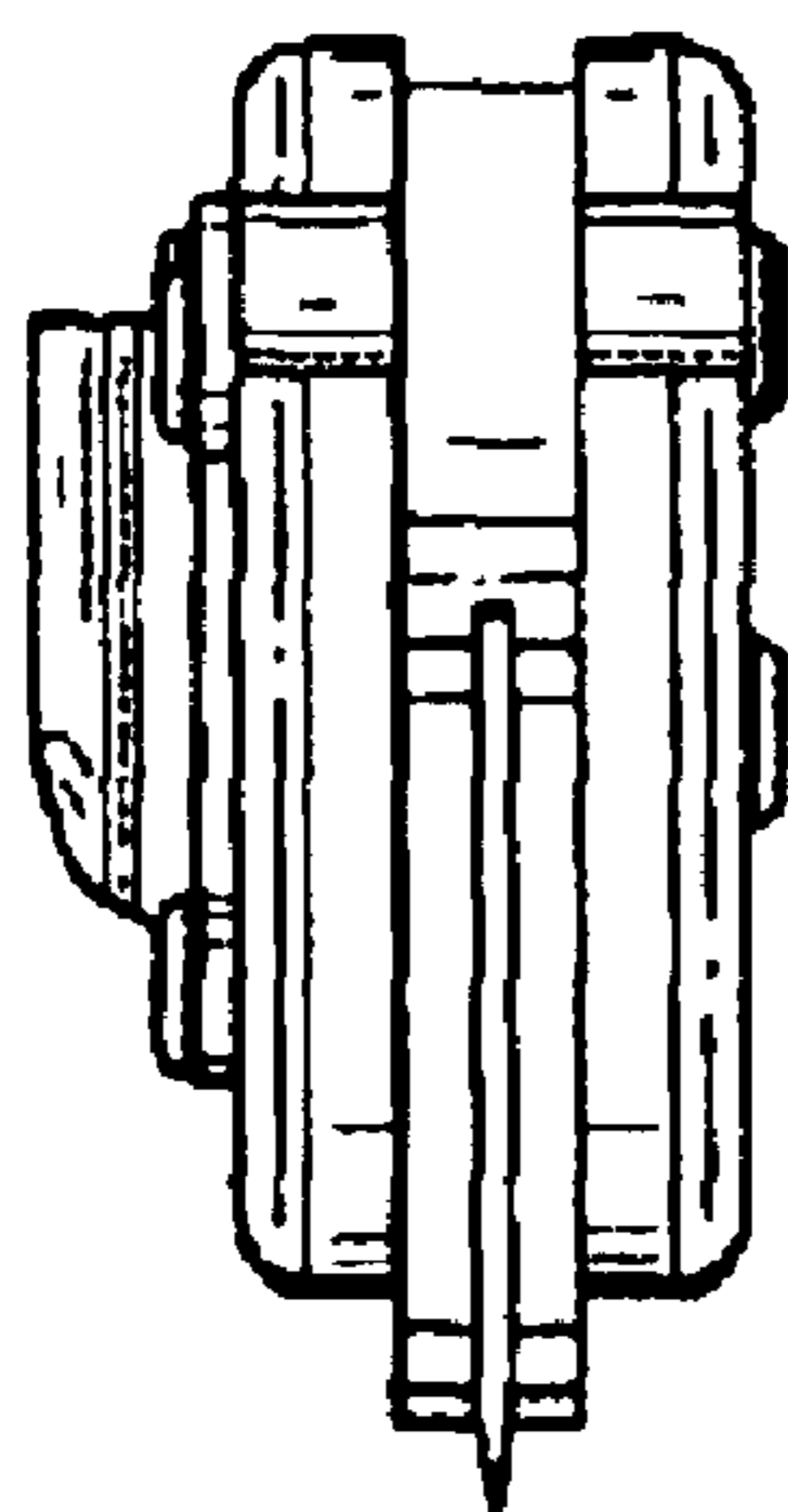


FIG. 5

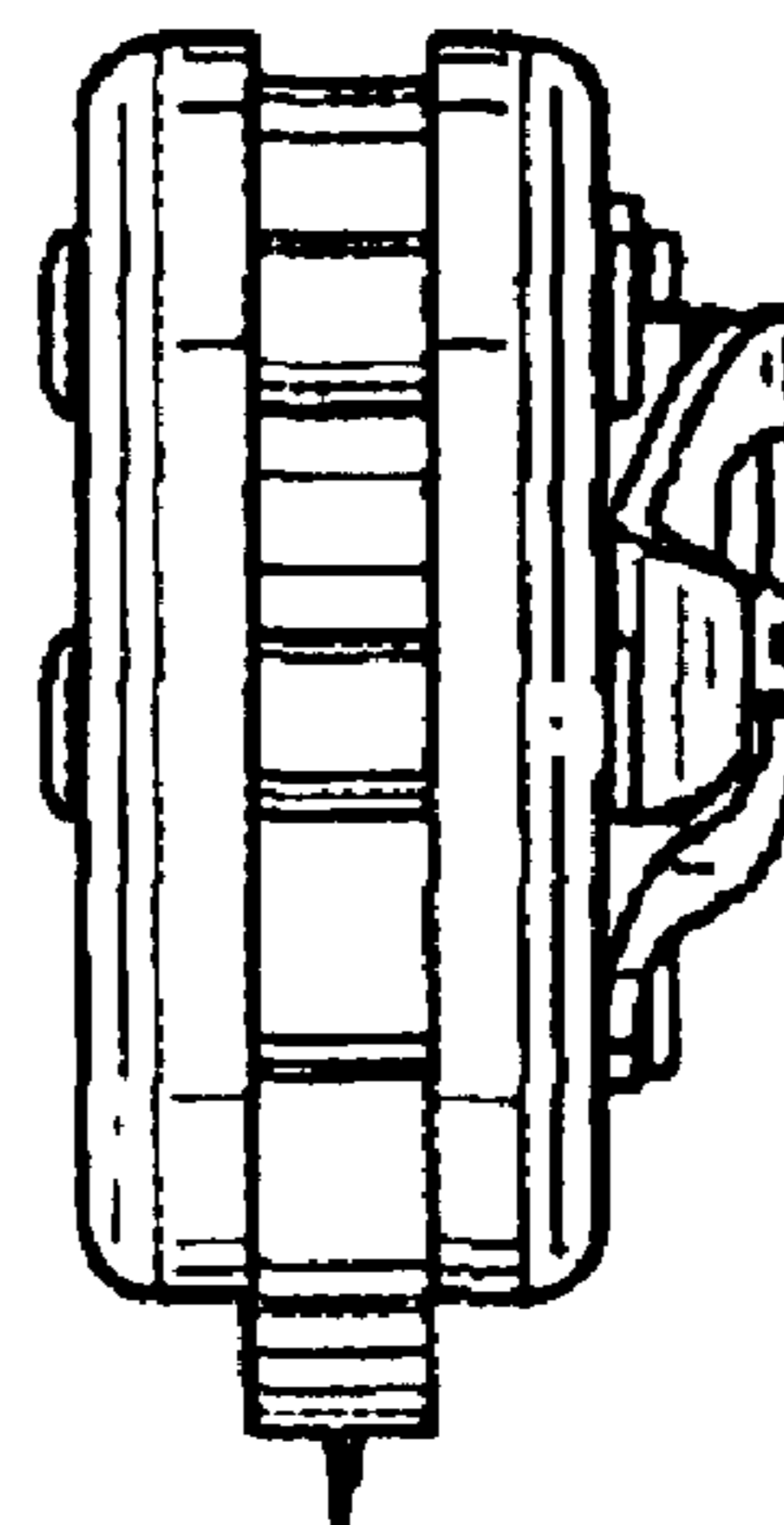


FIG. 6

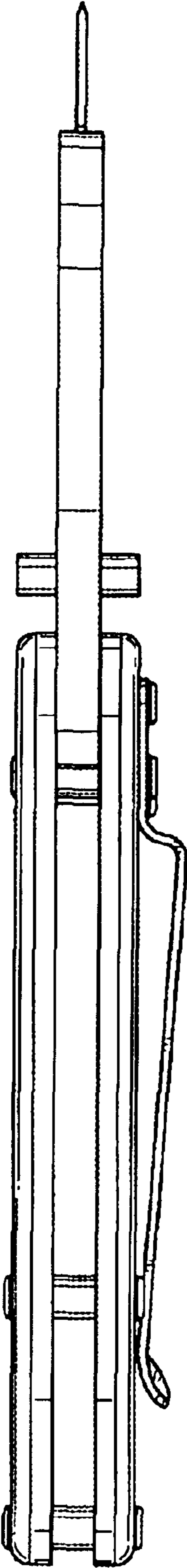


FIG. 7

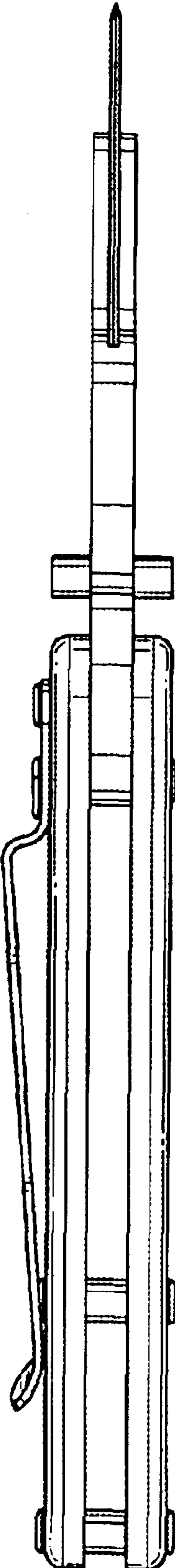


FIG. 8

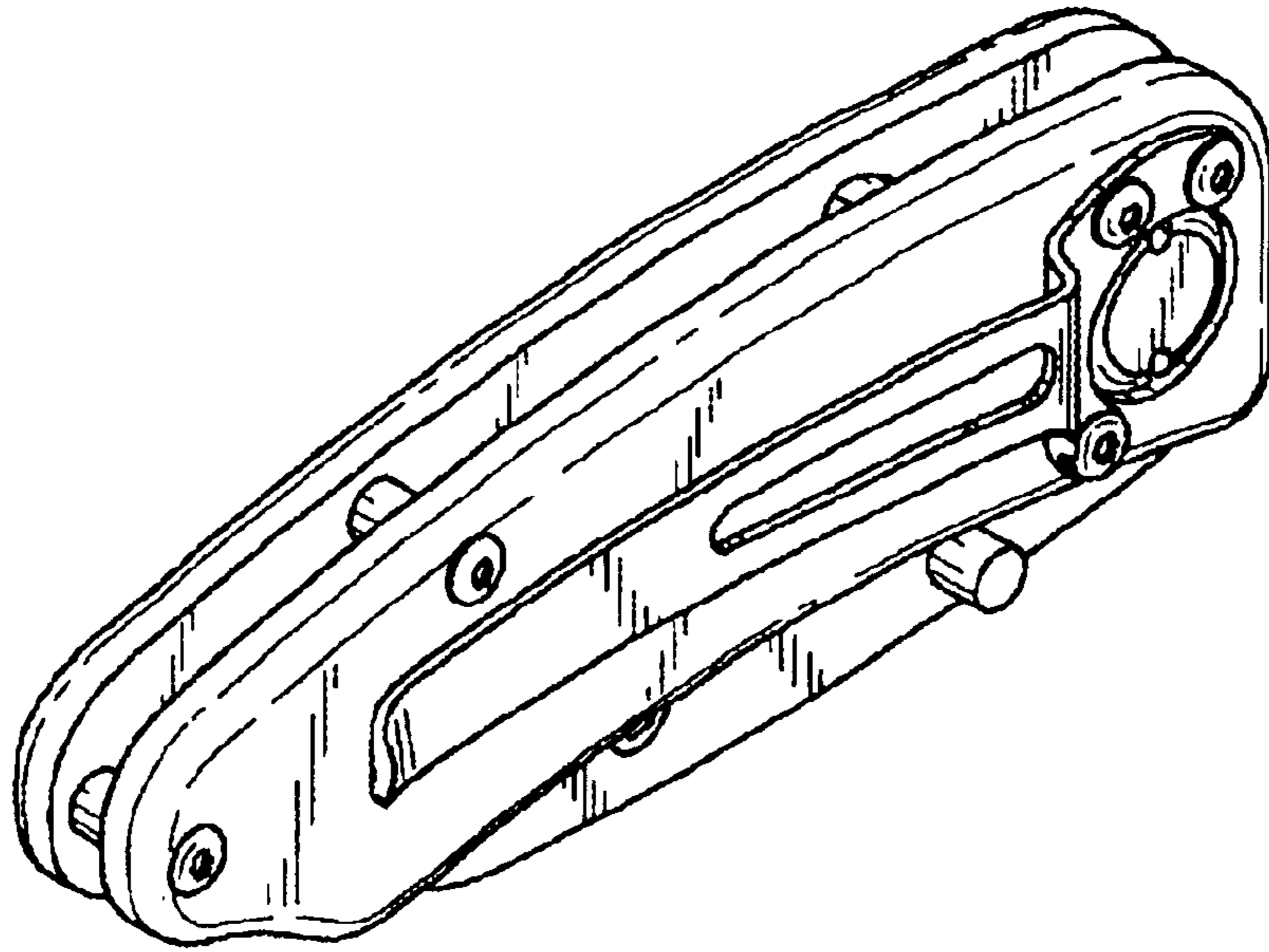


FIG. 9

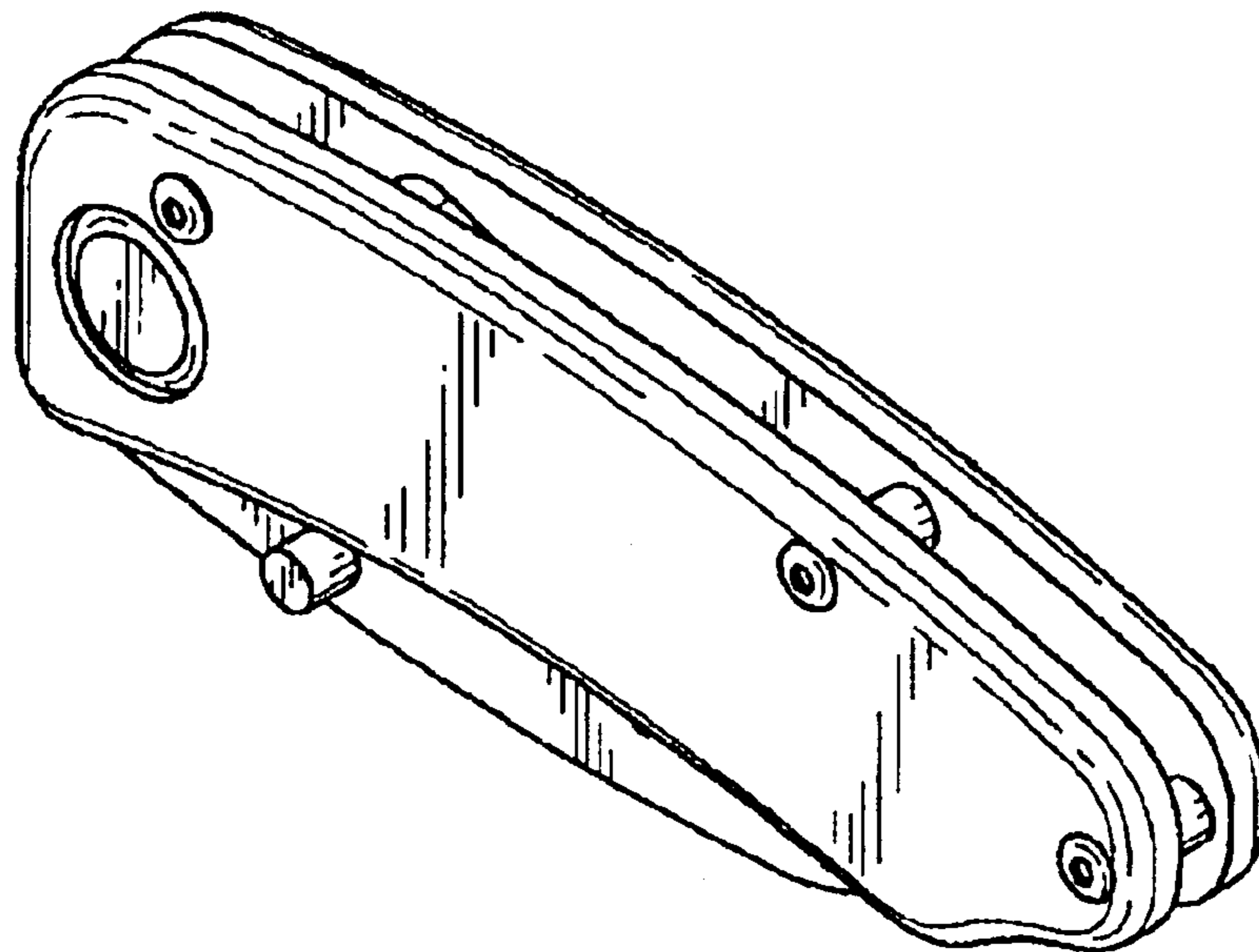


FIG. 10

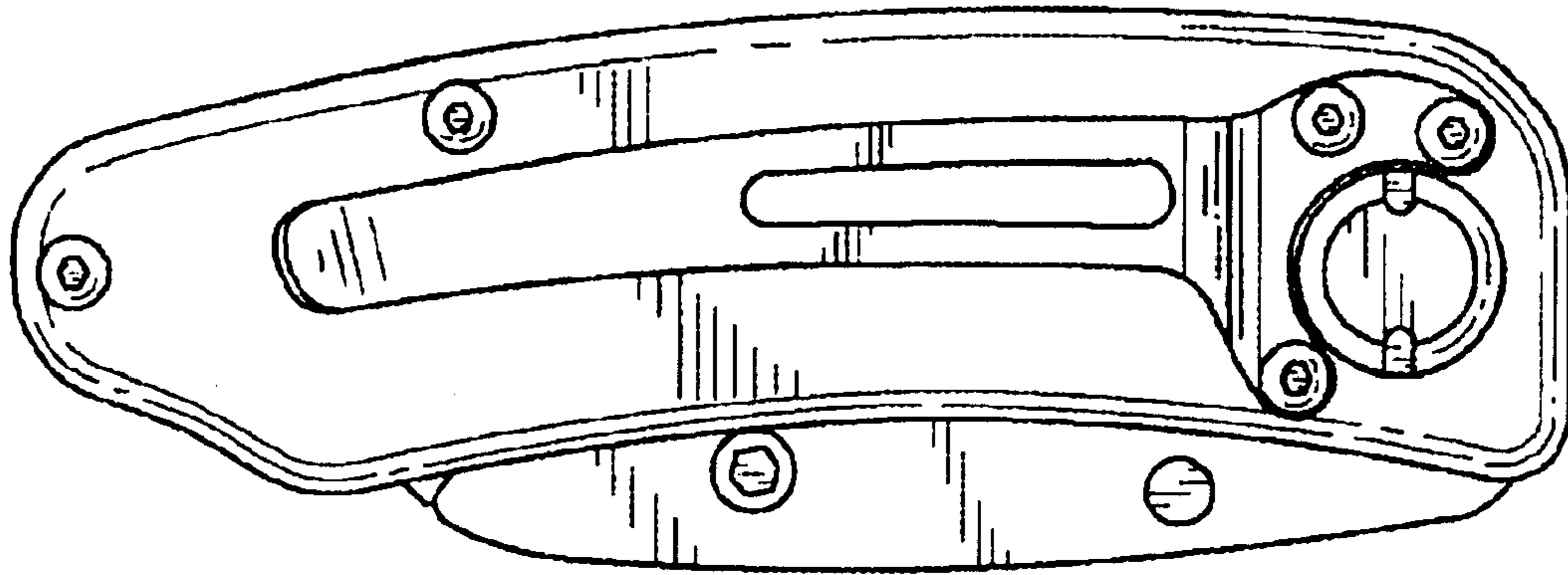


FIG. 11

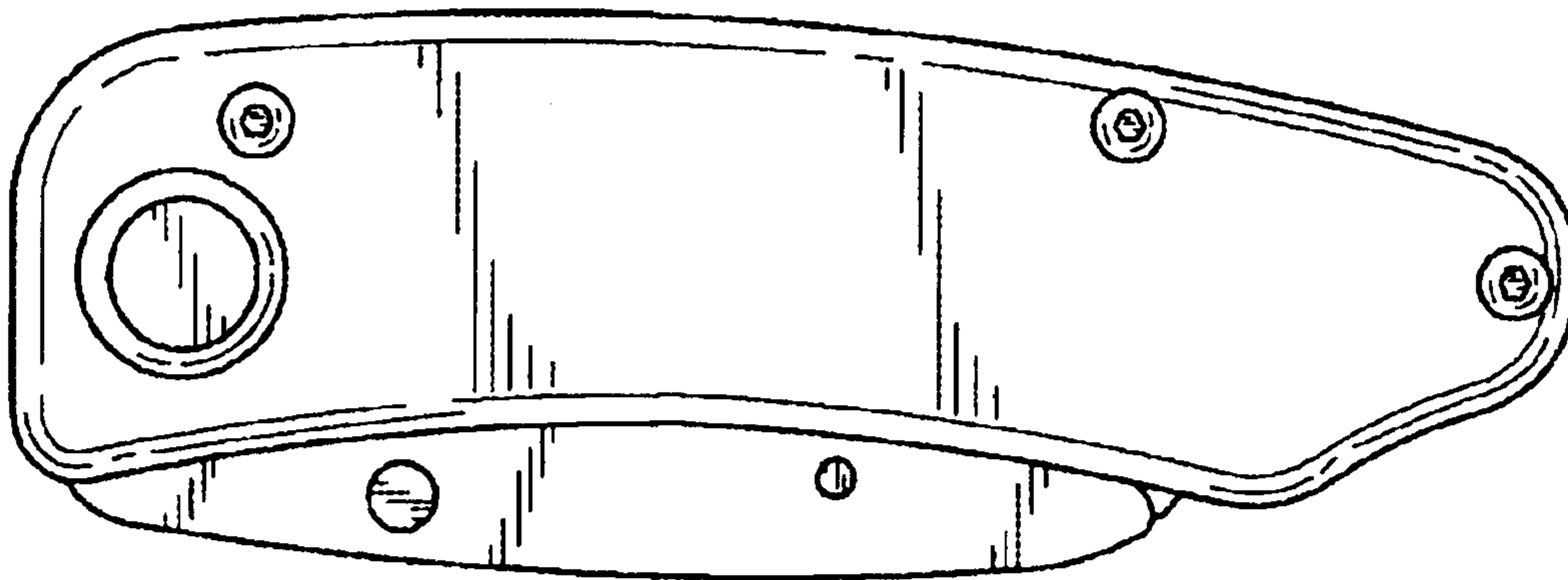


FIG. 12

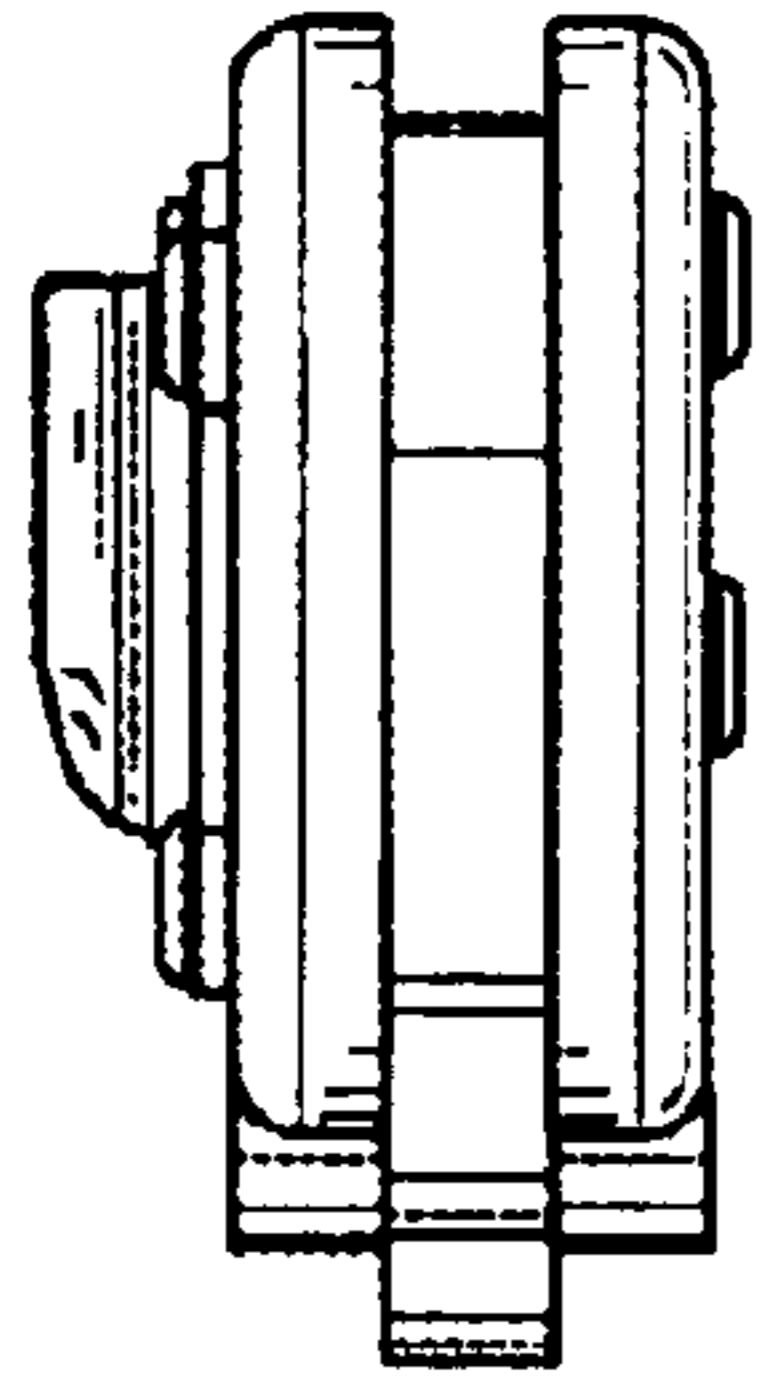


FIG. 13

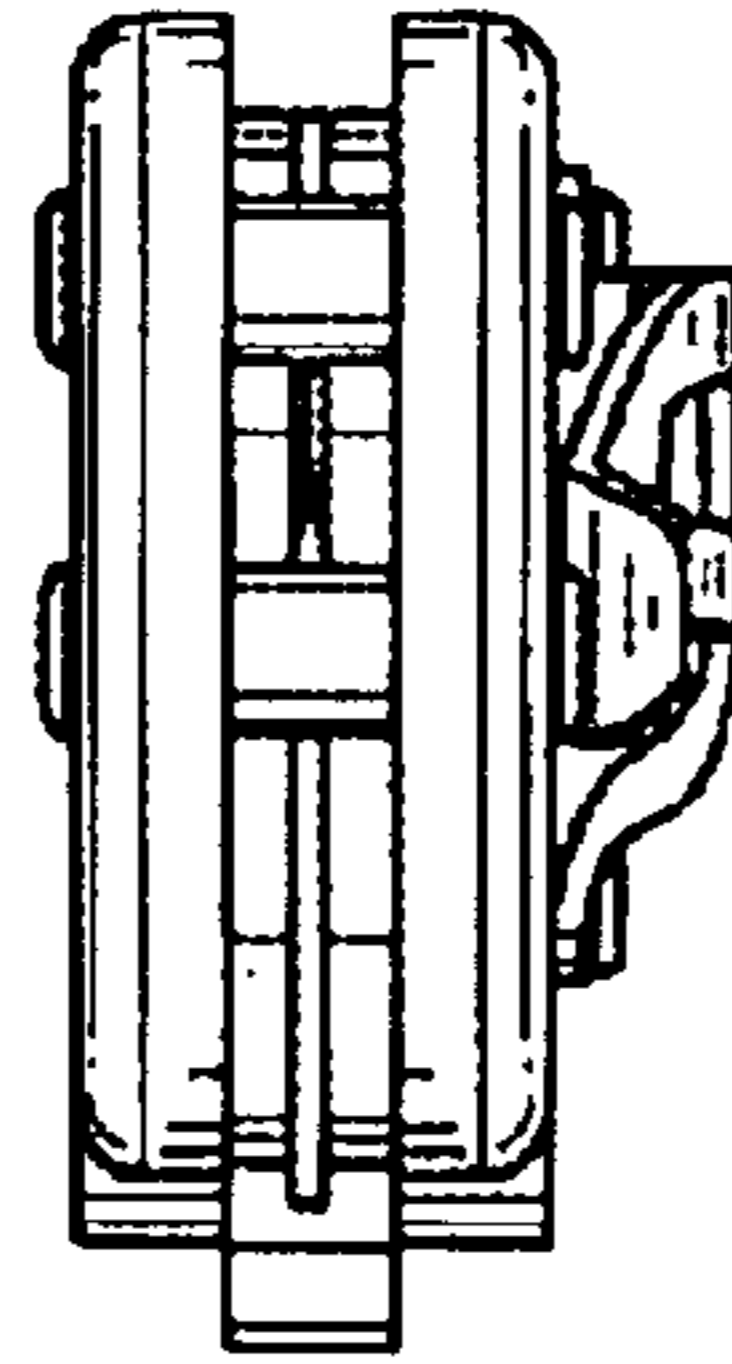


FIG. 14

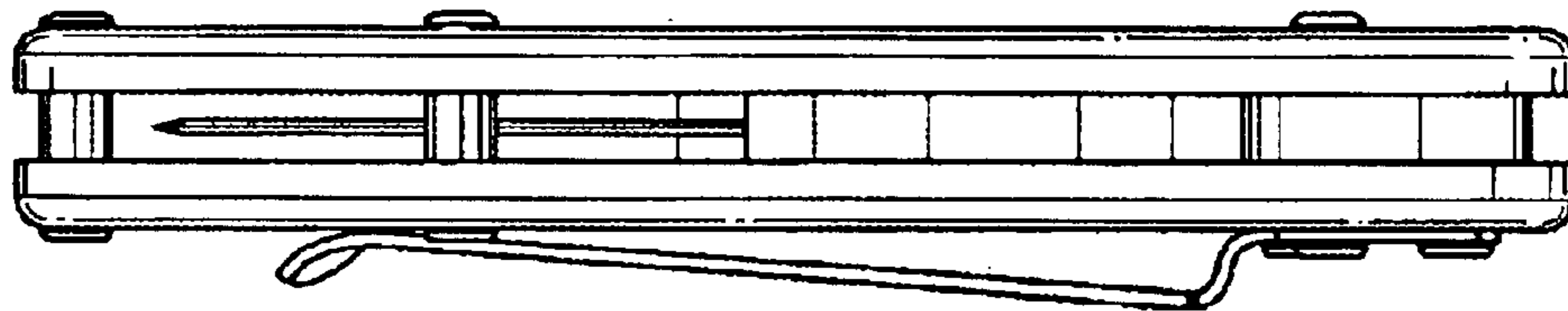


FIG. 15

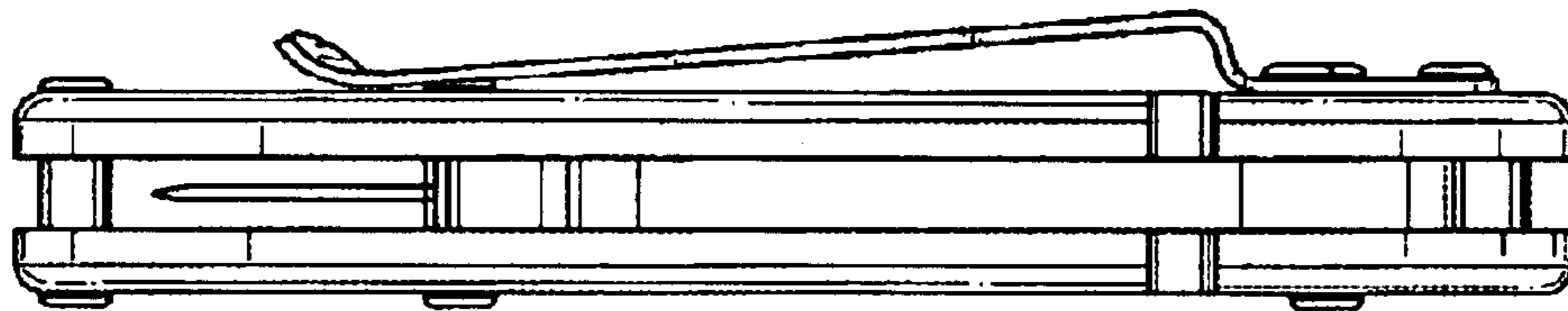


FIG. 16