

US00D494436S1

(12) **United States Design Patent** (10) **Patent No.:** **US D494,436 S**  
**Winig et al.** (45) **Date of Patent:** **\*\* Aug. 17, 2004**

(54) **TOOL HOLDER**

(75) Inventors: **Alan Winig**, Wynnewood, PA (US);  
**Richard Winig**, Villanova, PA (US);  
**James Eldon**, Barto, PA (US)

(73) Assignee: **Eye Designs LLC**, Collegetown, PA (US)

(\*\*) **Term:** **14 Years**

(21) **Appl. No.:** **29/187,457**

(22) **Filed:** **Aug. 1, 2003**

**Related U.S. Application Data**

(63) Continuation-in-part of application No. 29/175,165, filed on Jan. 30, 2003, now Pat. No. Des. 481,920.

(51) **LOC (7) Cl.** ..... **08-05**

(52) **U.S. Cl.** ..... **D8/71**

(58) **Field of Search** ..... 83/762-764, 766, 83/581, 760; 142/48, 49, 55; 211/60.1, 70.6, 71.01, 74, 65, 90.01; 248/80, 153, 175, 176.1, 201, 304, 309.1, 312, 312.1, 315, 316.8; 269/41, 42, 283; D8/71, 14.1, 64.66, 70, 72, 73, 74, 349, 354, 373; D6/467, 469, 567, 574; D15/130, 132, 138, 139, 140, 141; 33/474, 533, 613; 81/177.1, 437, 177.4, 438, 439, 490; 82/161

(56) **References Cited**

**U.S. PATENT DOCUMENTS**

- 878,233 A \* 2/1908 Paulson ..... 211/74
- 1,056,237 A \* 3/1913 Waller ..... 211/74
- 1,958,772 A 5/1934 Stewart
- 1,992,857 A 2/1935 Breedlove
- 2,121,307 A 6/1938 Swift
- 2,533,355 A \* 12/1950 Comfort ..... 211/65
- 2,566,650 A \* 9/1951 Anderson ..... 211/65
- 2,785,919 A 3/1957 Grondzik
- 2,815,863 A \* 12/1957 Larson ..... 211/90.01
- 2,956,687 A 10/1960 Robichaud

- 2,995,256 A 8/1961 Schoenfisch
- 3,063,569 A 11/1962 Huber
- 3,269,550 A \* 8/1966 William ..... 211/70.6
- 3,565,020 A 2/1971 Schier et al.
- 4,325,484 A 4/1982 Berry
- 4,340,144 A 7/1982 Cousins
- 4,439,884 A 4/1984 Giorni
- 4,450,961 A 5/1984 Bies et al.
- 4,508,301 A 4/1985 Nicholson et al.
- 4,516,681 A 5/1985 Jahel
- D282,128 S \* 1/1986 Bell et al. .... D6/469
- 4,597,496 A 7/1986 Kaplan
- 4,632,256 A 12/1986 Gambello
- 4,750,623 A \* 6/1988 Flum ..... 211/74
- 4,771,897 A 9/1988 Ho
- 4,905,951 A 3/1990 Putness
- 4,936,565 A 6/1990 Fredrickson
- D313,550 S \* 1/1991 Lorincz ..... D8/373
- 5,005,710 A 4/1991 Hofer
- D323,089 S \* 1/1992 Koerbel ..... D6/574
- 5,201,430 A 4/1993 Artzer
- 5,224,609 A 7/1993 Bauer et al.
- 5,337,987 A 8/1994 Sawatsky
- 5,482,168 A 1/1996 Welch et al.
- 5,515,969 A 5/1996 Schonenbach
- 5,573,111 A 11/1996 Gordon et al.

(List continued on next page.)

*Primary Examiner*—James Gandy  
*Assistant Examiner*—T. Chase Nelson  
(74) *Attorney, Agent, or Firm*—Duane Morris LLP

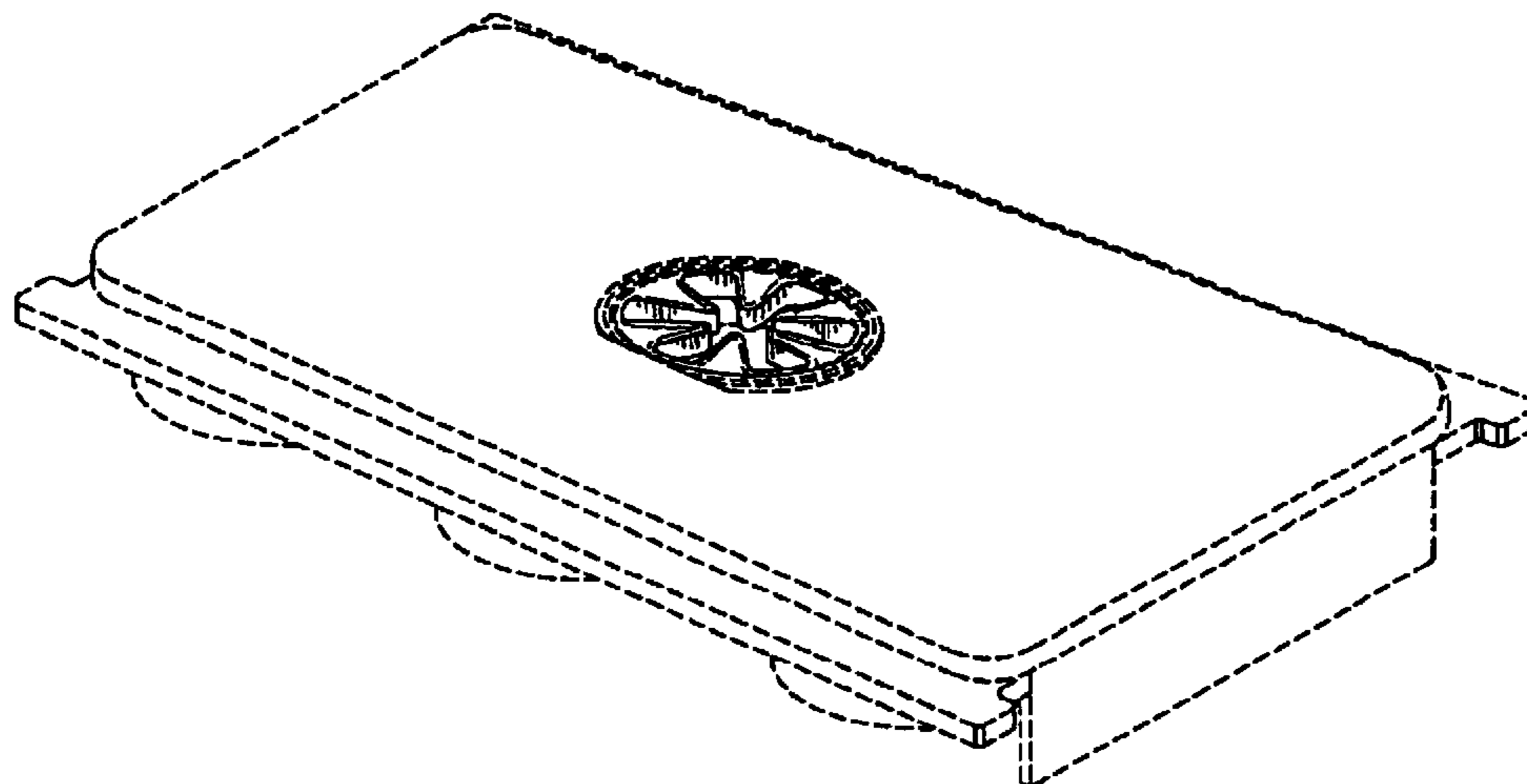
(57) **CLAIM**

The ornamental design for a tool holder, as shown and described.

**DESCRIPTION**

FIG. 1 is a perspective view of the tool holder according to the invention;  
FIG. 2 is a top view of the tool holder; and,  
FIG. 3 is a bottom view of the tool holder.  
The broken line showing of structure is for illustrative purposes only and forms no part of the claimed design.

**1 Claim, 2 Drawing Sheets**



U.S. PATENT DOCUMENTS

5,706,936 A	1/1998	Bernstein	6,070,747 A	6/2000	Shea	
5,711,419 A	1/1998	Beales et al.	D430,583 S *	9/2000	Fang et al. ....	D15/139
5,738,228 A	4/1998	Bittinger	6,250,466 B1	6/2001	Ernst	
5,855,274 A	1/1999	Piao	6,273,255 B1	8/2001	Rosler	
5,909,936 A	6/1999	Daniels et al.	6,273,277 B1	8/2001	Geldenhuys	
5,915,307 A	6/1999	Tisbo et al.	6,299,001 B1	10/2001	Frolov et al.	
5,915,572 A	6/1999	Hancock	6,450,338 B1	9/2002	Chen	
5,970,663 A	10/1999	McDonough	6,491,267 B1	12/2002	Feldman	
6,000,912 A	12/1999	Takada et al.	D481,920 S *	11/2003	Winig et al. ....	D8/71
6,019,331 A	2/2000	Hoogland et al.	D482,255 S *	11/2003	Winig et al. ....	D8/71
6,050,426 A	4/2000	Leurdijk				

\* cited by examiner

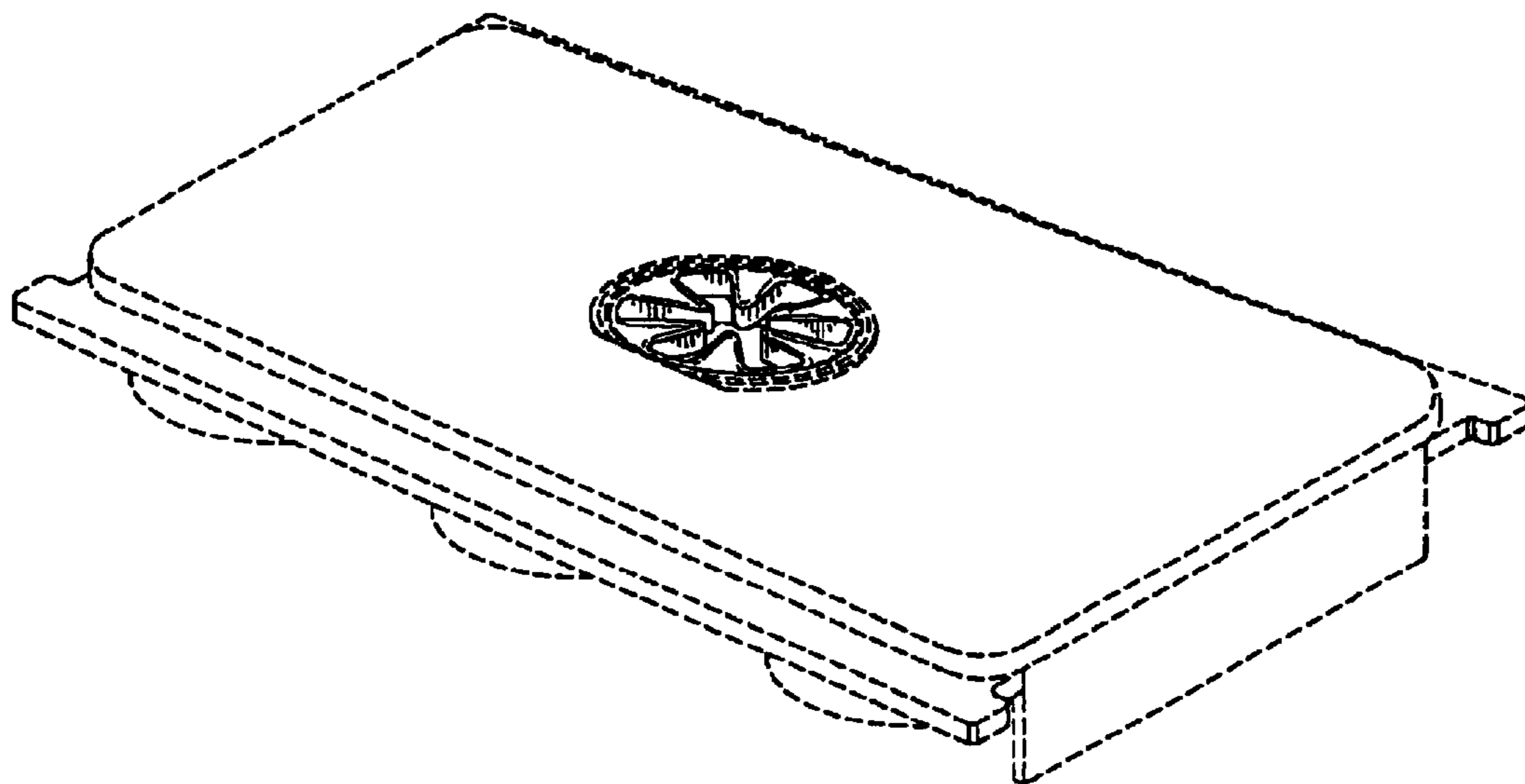


FIG. 1

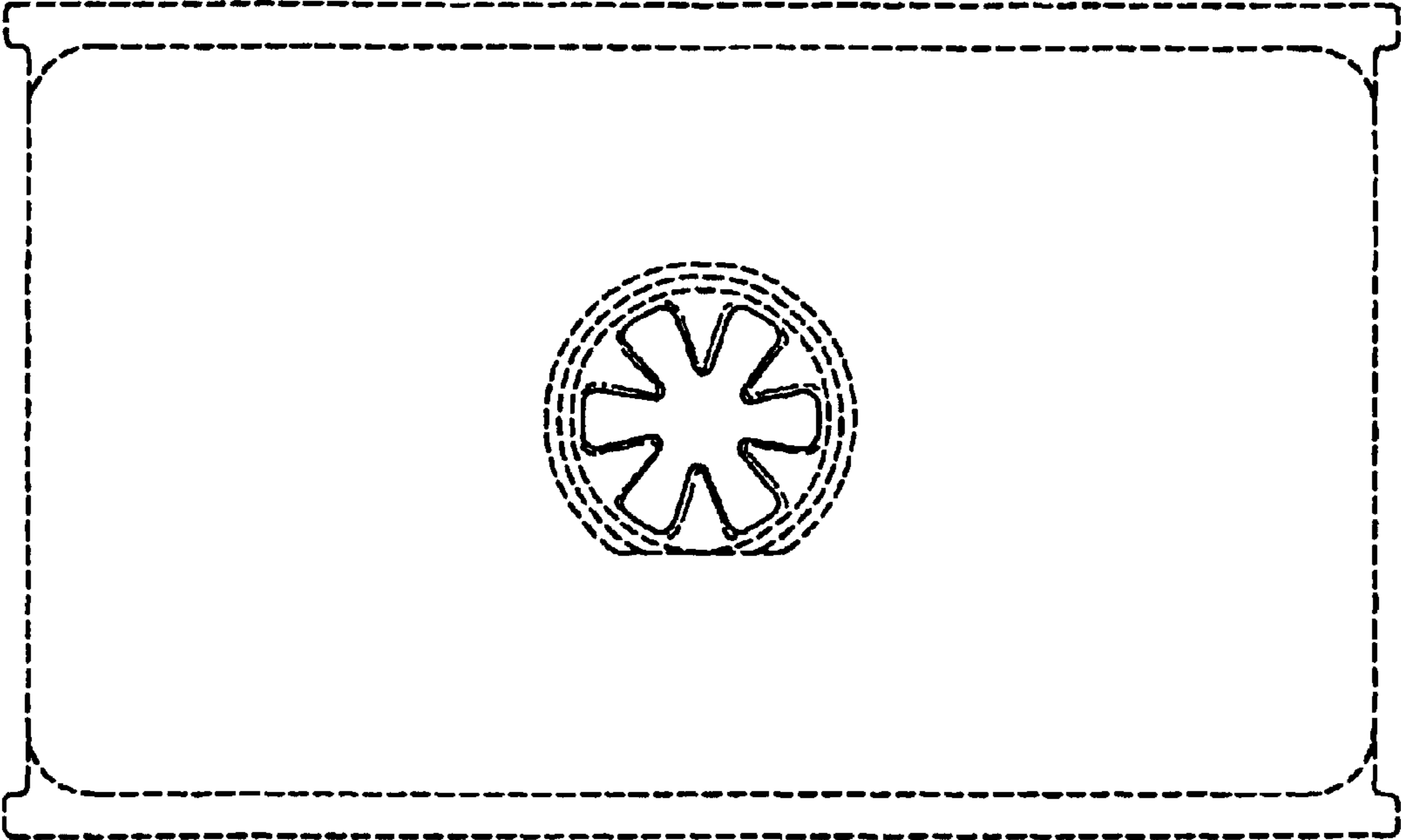


FIG. 2

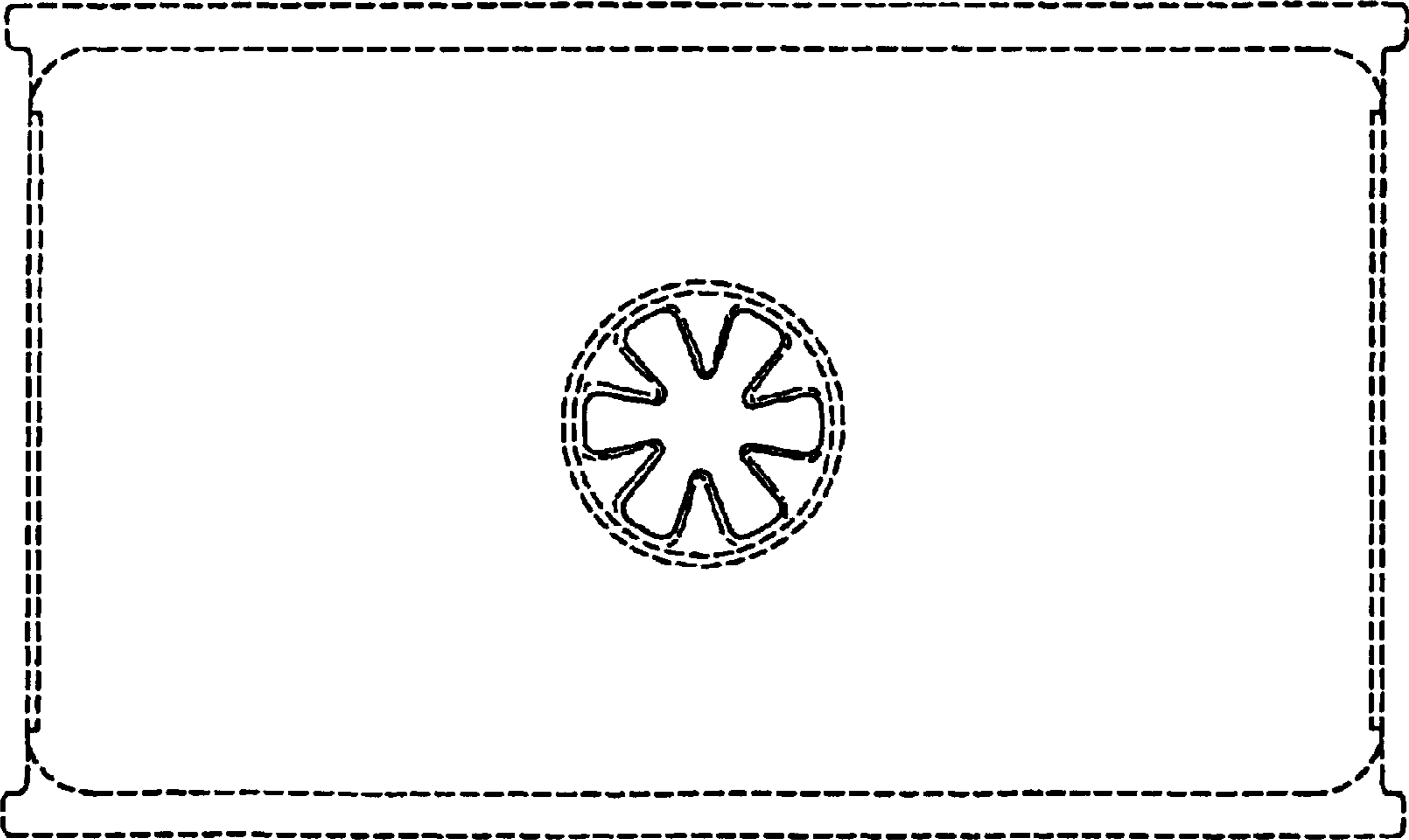


FIG. 3