

US00D494435S1

(12) **United States Design Patent** (10) Patent No.: **US D494,435 S**
Hayakawa et al. (45) Date of Patent: **** Aug. 17, 2004**

(54) **RECHARGEABLE IMPACT DRIVER**

(75) Inventors: **Naohiro Hayakawa**, Toyoake (JP);
Manabu Sugimoto, Nukata-gun (JP)

(73) Assignee: **Makita Corporation**, Anjo (JP)

(**) Term: **14 Years**

(21) Appl. No.: **29/193,417**

(22) Filed: **Nov. 6, 2003**

(30) **Foreign Application Priority Data**

May 6, 2003 (JP) 2003-016397

(51) **LOC (7) Cl.** **08-05**

(52) **U.S. Cl.** **D8/68**

(58) **Field of Search** D8/14.1, 61, 62,
D8/63, 64, 65, 66, 67, 68, 69, 70; 81/57.11,
429, 464, 465, 466, 469, 489; 173/13, 169,
178, 213, 217; 227/8, 114, 120, 130, 136,
142; 310/50; 408/20, 124, 125, 234, 241 R;
451/358

(56) **References Cited**

U.S. PATENT DOCUMENTS

D156,319 S * 12/1949 Bushnell D8/68
D295,714 S * 5/1988 Sasaki et al. D8/68
D320,917 S * 10/1991 Fushiya et al. D8/68
D329,580 S * 9/1992 Sasaki et al. D8/68
D339,046 S * 9/1993 Fushiya et al. D8/68

D340,396 S * 10/1993 Ichikawa D8/68
D342,430 S * 12/1993 Saito et al. D8/68
D392,863 S * 3/1998 Sugimoto et al.
D411,947 S * 7/1999 Sugimoto et al. D8/61
D424,902 S * 5/2000 Gildersleeve et al. D8/68
D437,761 S * 2/2001 Okumura et al. D8/68
D446,704 S * 8/2001 Shibata et al. D8/68
D462,594 S * 9/2002 Flickinger D8/68
D477,205 S * 7/2003 Sakai et al. D8/68
2003/0159843 A1 * 8/2003 Sakai et al. 173/216

* cited by examiner

Primary Examiner—James Gandy

Assistant Examiner—T. Chase Nelson

(74) *Attorney, Agent, or Firm*—Lahive & Cockfield, LLP;
Anthony A. Laurentano

(57) **CLAIM**

The ornamental design for a rechargeable impact driver, as shown and described.

DESCRIPTION

FIG. 1 is a left side elevational view of a rechargeable impact driver of our new design;
FIG. 2 is a right side elevational view thereof;
FIG. 3 is a top plan view thereof;
FIG. 4 is a bottom plan view thereof;
FIG. 5 is a rear side elevational view thereof;
FIG. 6 is a front side elevational view thereof; and,
FIG. 7 is perspective view thereof.

1 Claim, 7 Drawing Sheets

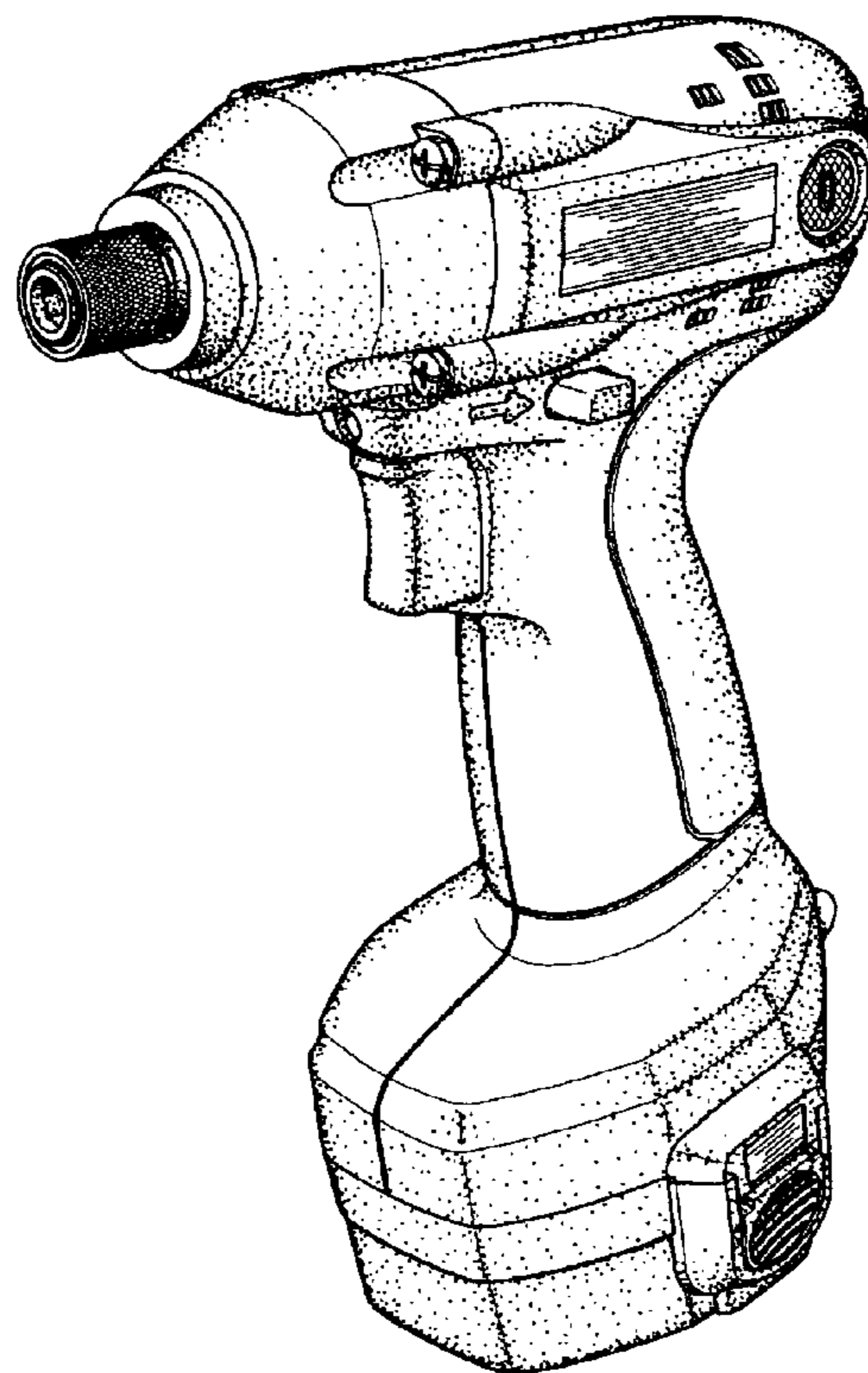


FIG. 1

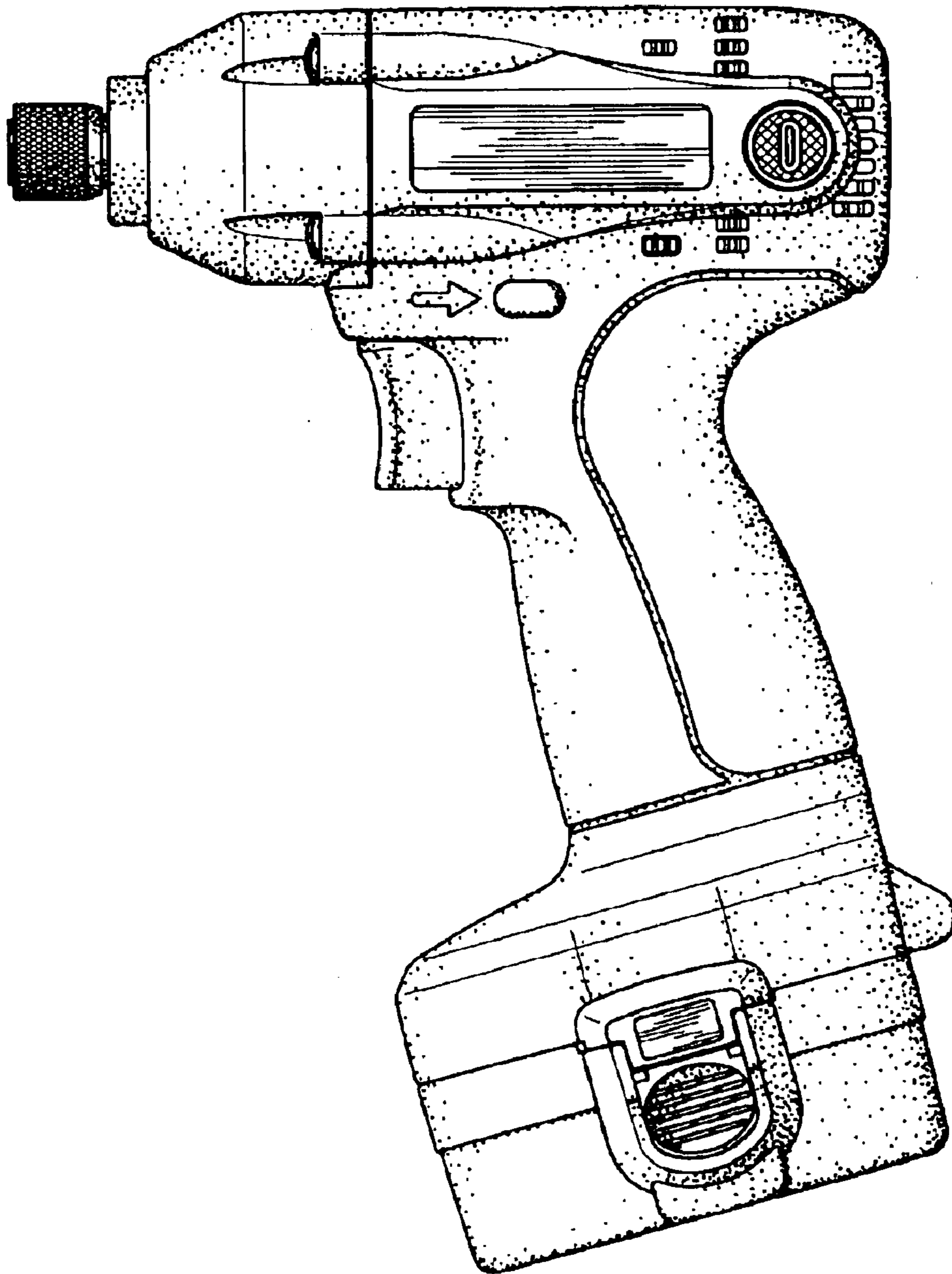


FIG. 2

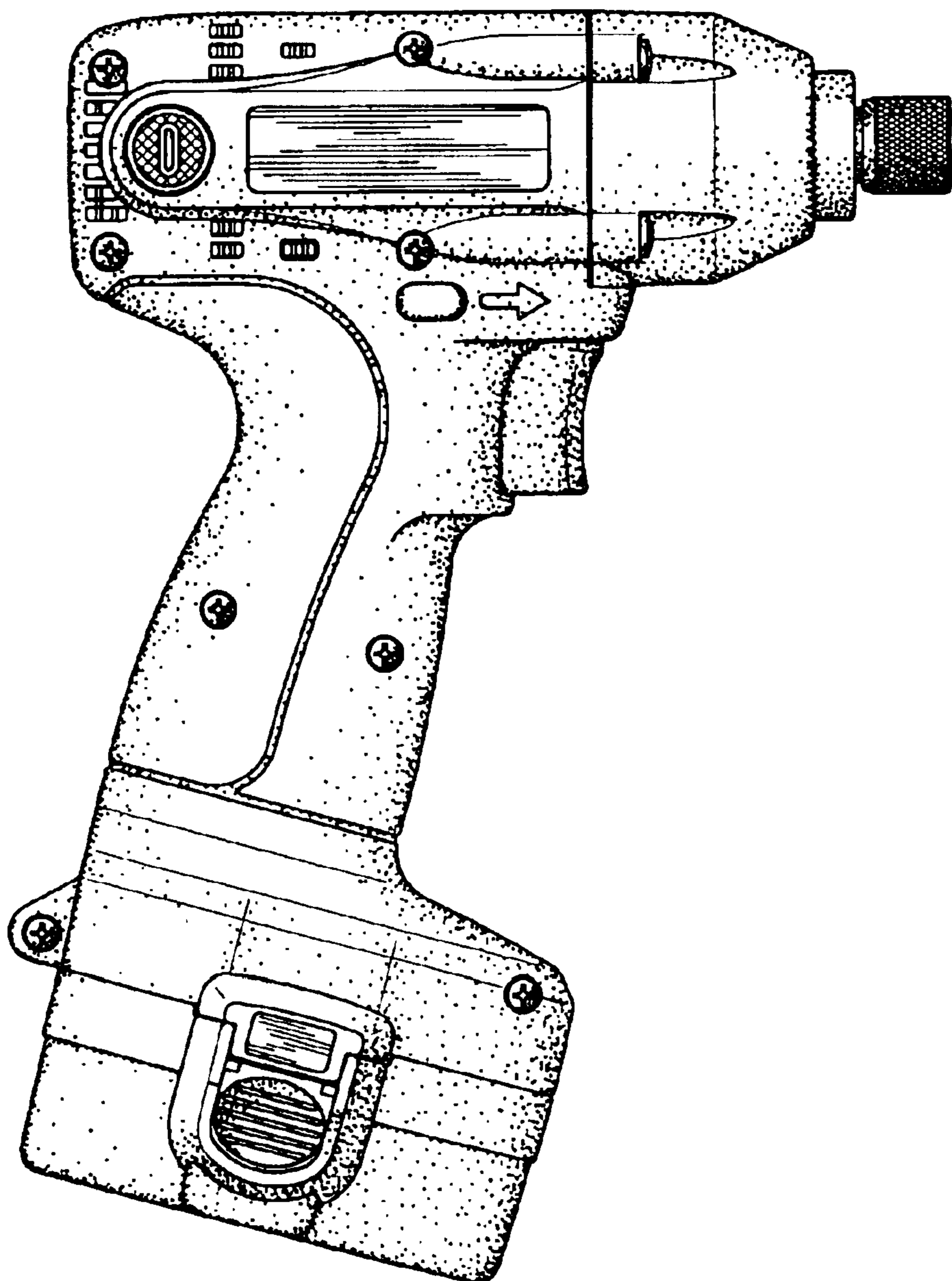


FIG. 3

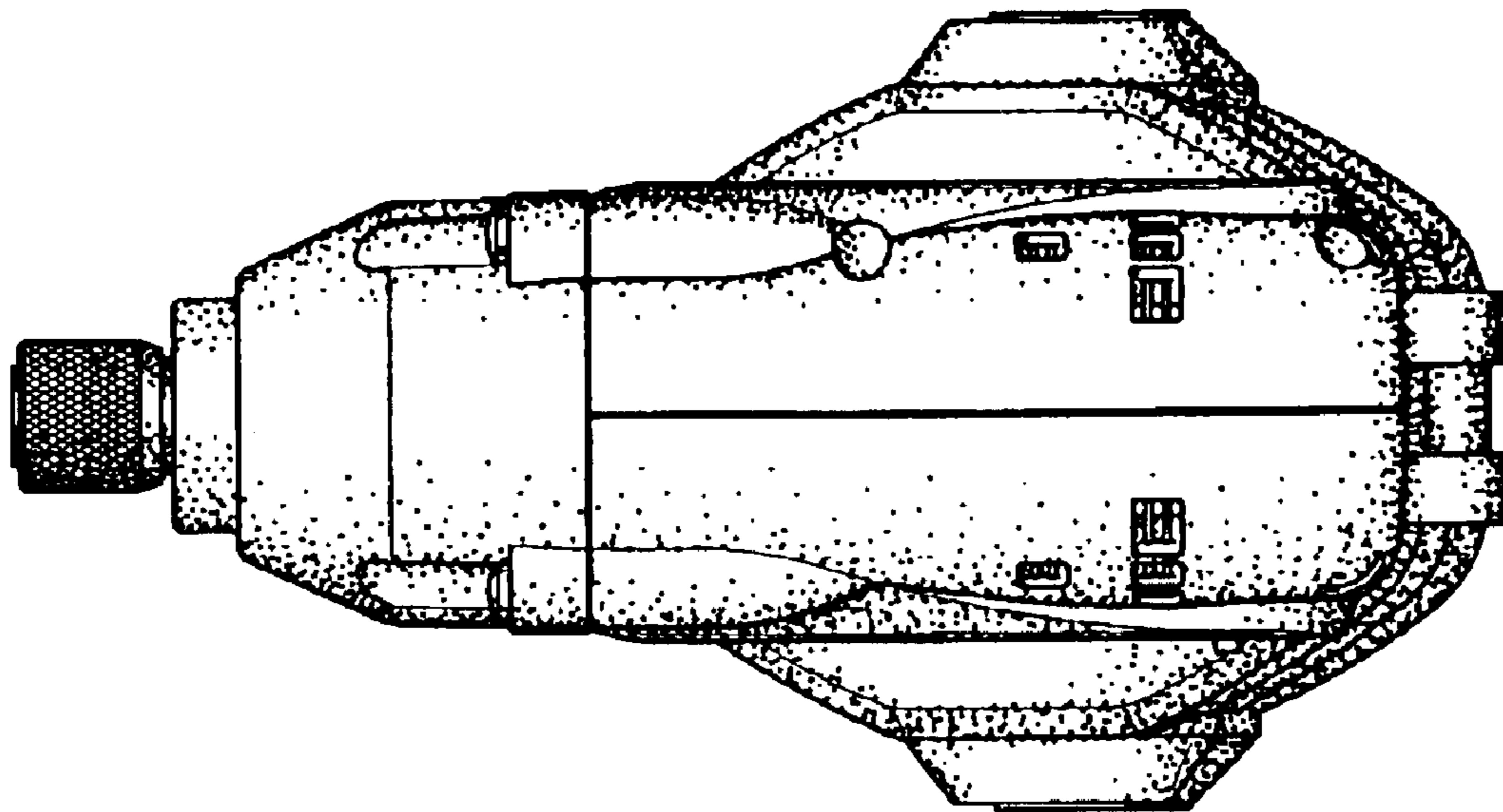


FIG. 4

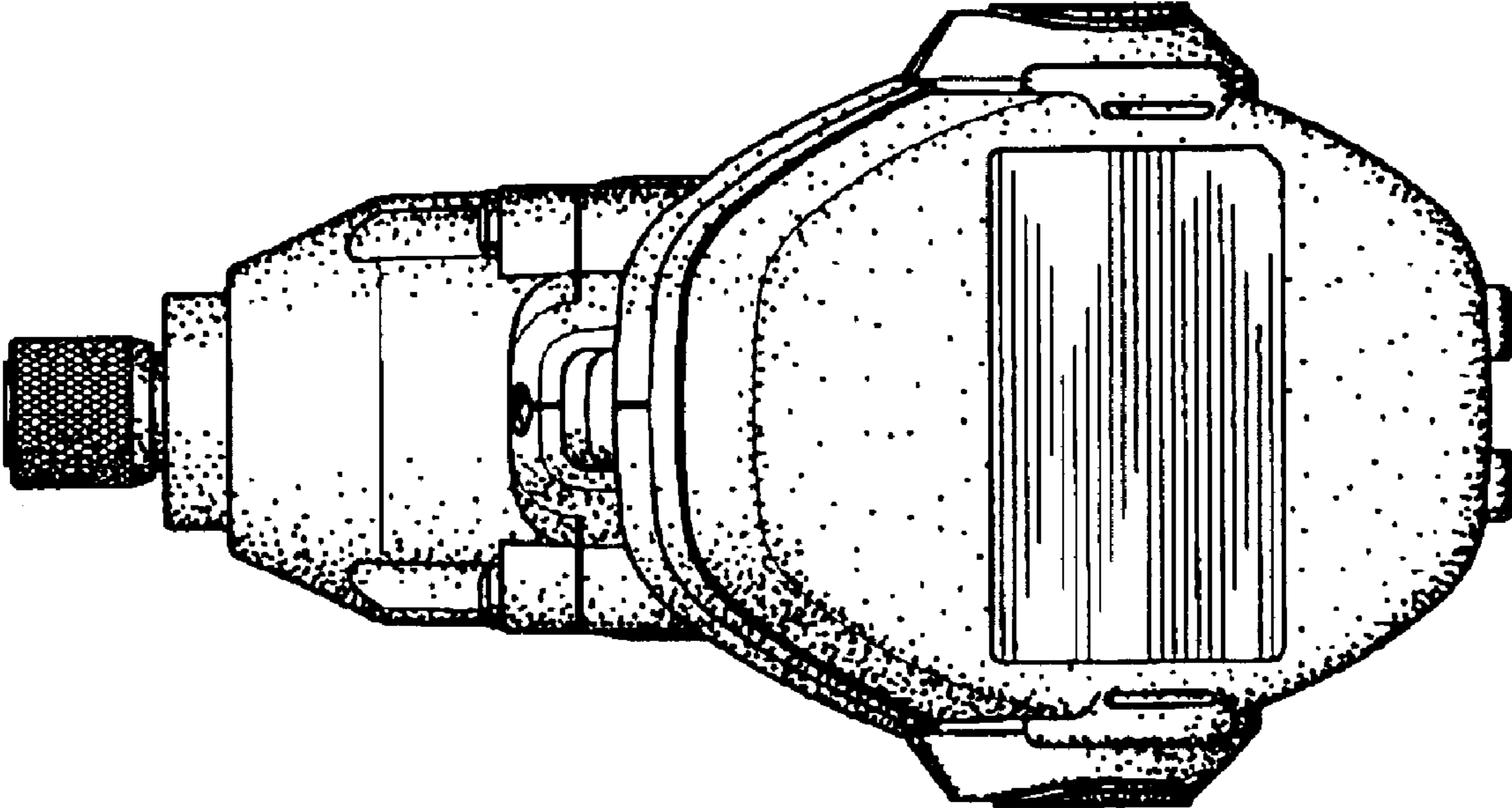


FIG. 5

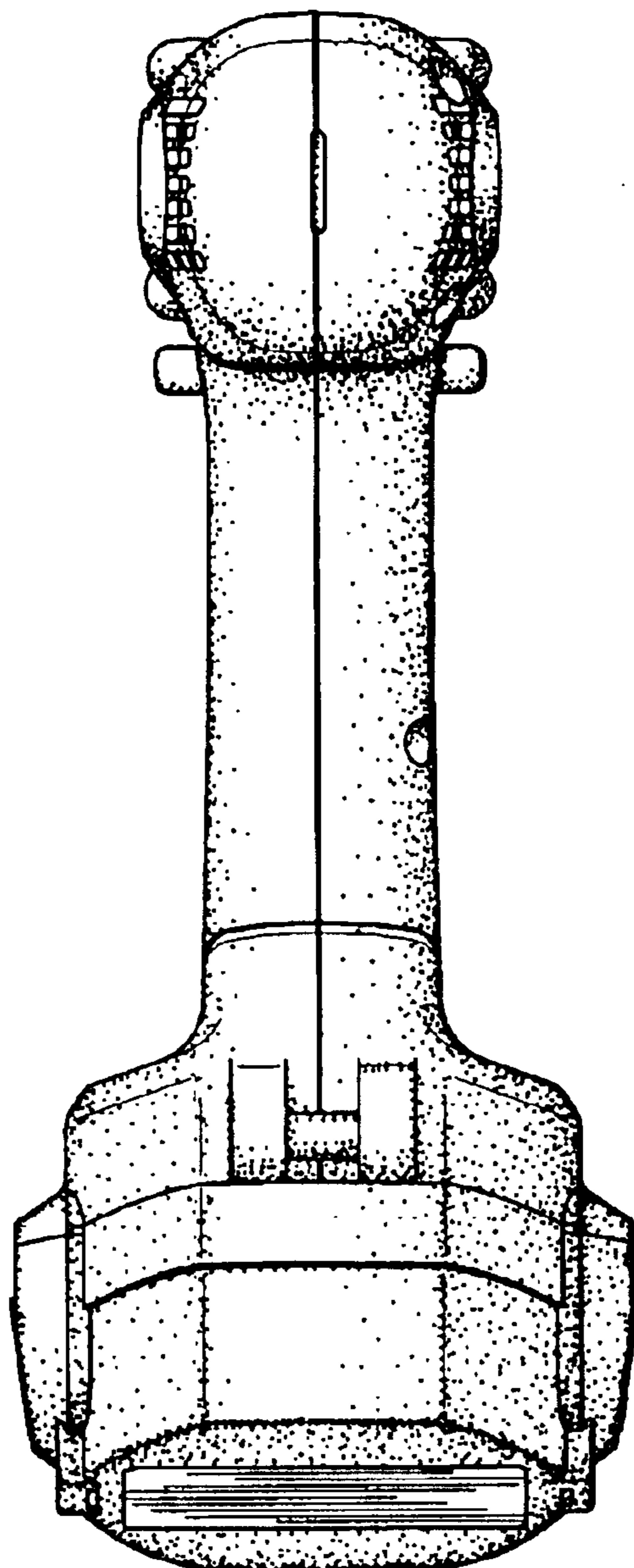


FIG. 6

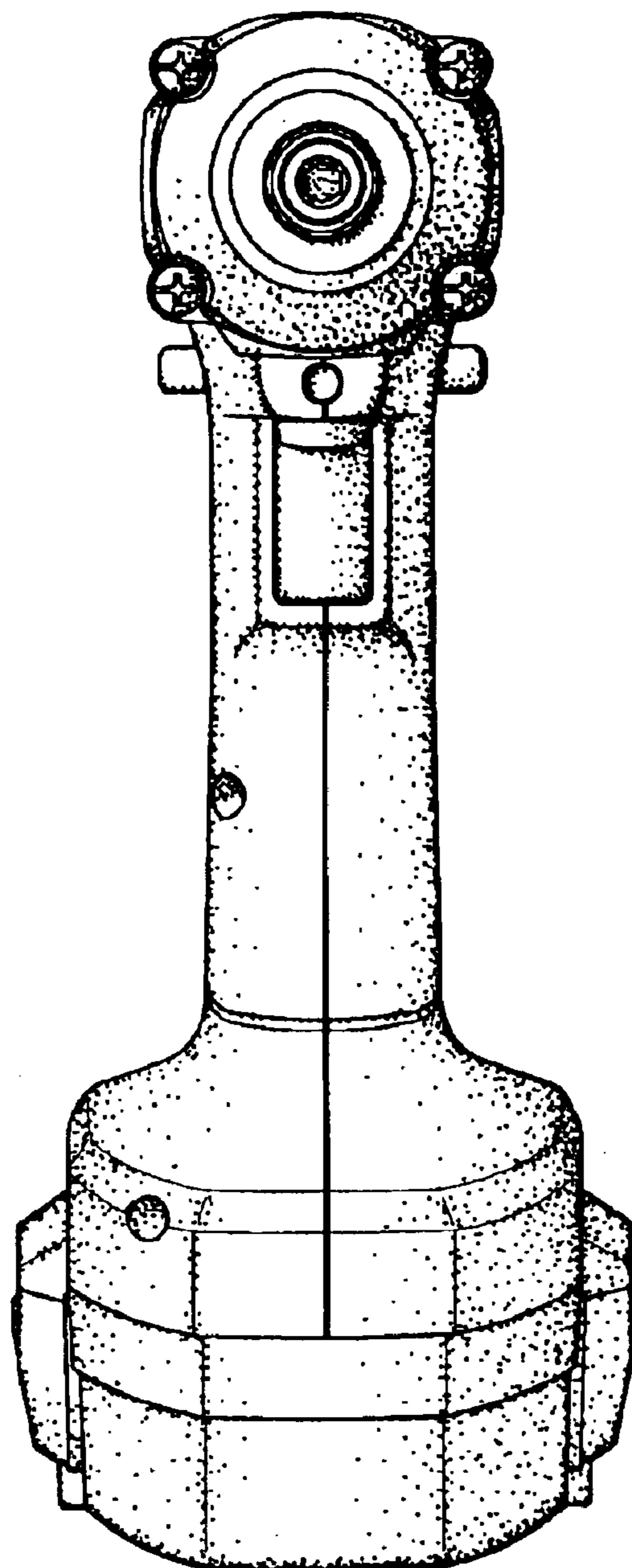


FIG. 7

