

US00D494434S1

(12) **United States Design Patent**  
**Sun et al.**

(10) **Patent No.:** **US D494,434 S**

(45) **Date of Patent:** **\*\* Aug. 17, 2004**

(54) **HANDHELD PNEUMATIC BURNISH DEVICE**

(76) Inventors: **Yung-Yung Sun**, P.O. Box 2103,  
Taichung (TW); **Chuan-Ching Cheng**,  
P.O. Box 2103, Taichung (TW)

(\*\*) Term: **14 Years**

(21) Appl. No.: **29/181,689**

(22) Filed: **May 15, 2003**

(51) **LOC (7) Cl.** ..... **08-01**

(52) **U.S. Cl.** ..... **D8/62**

(58) **Field of Search** ..... D8/61, 62, 67,  
D8/69; D32/15, 19; 15/97.1, 97.2; 173/168,  
169, 170, 171; 310/50; 451/294, 344, 351,  
353, 354, 355, 356, 357, 358, 359

(56) **References Cited**

**U.S. PATENT DOCUMENTS**

5,319,889	A	*	6/1994	Rudolf et al.	.....	451/359
D374,386	S	*	10/1996	Bosten et al.	.....	D8/62
5,626,510	A	*	5/1997	Bergner et al.	.....	451/357
D386,378	S	*	11/1997	Henssler et al.	.....	D8/62
5,743,791	A	*	4/1998	Bosten et al.	.....	451/356
D404,273	S	*	1/1999	Somers	.....	D8/62
D413,242	S	*	8/1999	Robson	.....	D8/62
D413,245	S	*	8/1999	Robson	.....	D8/70
5,967,886	A	*	10/1999	Wuensch et al.	.....	451/356
D435,768	S	*	1/2001	Duffy	.....	D8/62

D447,038	S	*	8/2001	Netzler	.....	D8/70
D453,460	S	*	2/2002	Lui	.....	D8/62
D459,965	S	*	7/2002	Pretzell	.....	D8/62

**OTHER PUBLICATIONS**

Sioux Tools Inc., 600 series finishing sanders.\*

\* cited by examiner

*Primary Examiner*—James Gandy

*Assistant Examiner*—Elizabeth Albert

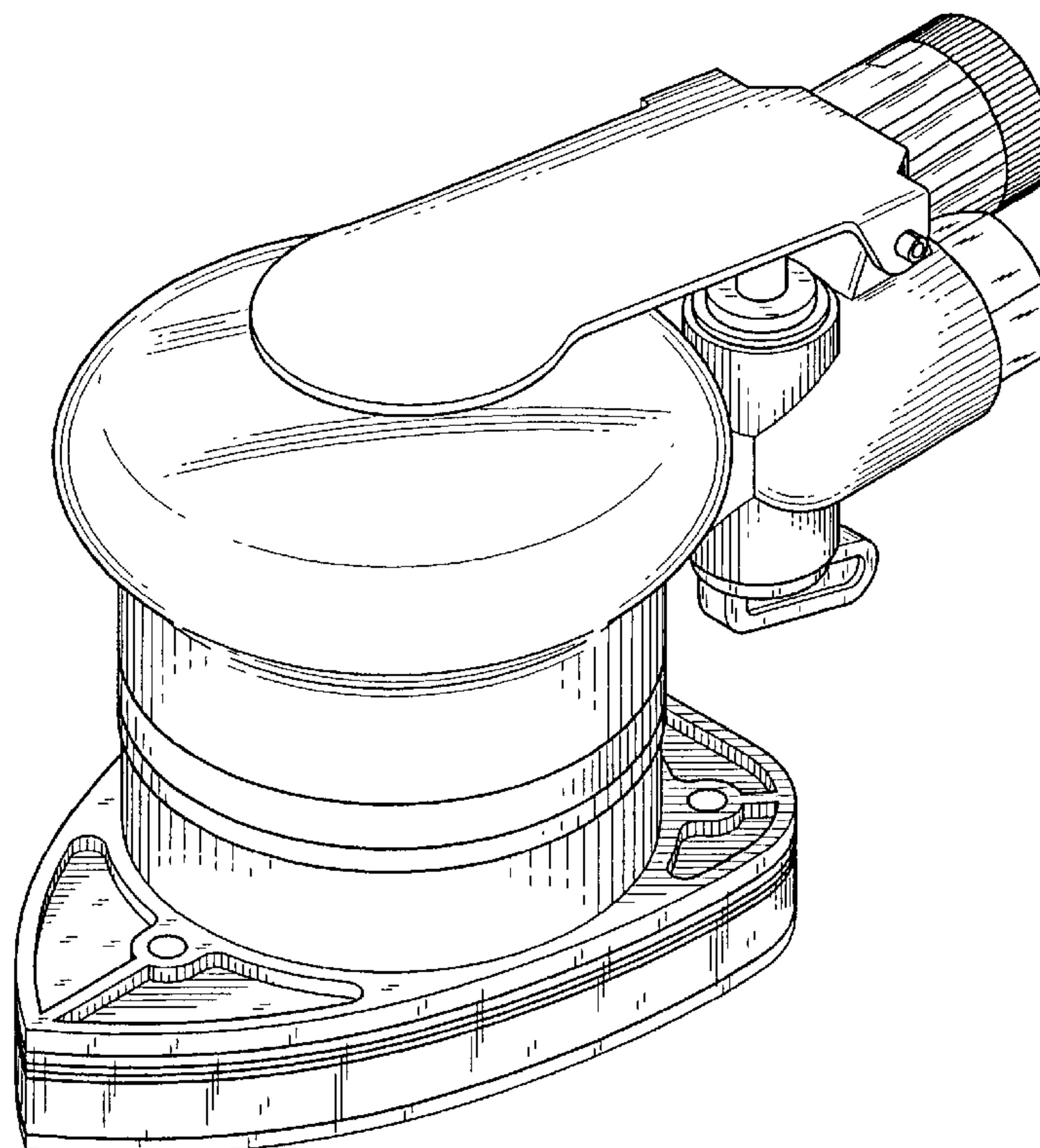
(57) **CLAIM**

The ornamental design for a handheld pneumatic burnish device, as shown and described.

**DESCRIPTION**

FIG. 1 is a perspective view of a handheld pneumatic burnish device showing my design; FIG. 2 is a front elevational view thereof; FIG. 3 is a rear elevational view thereof; FIG. 4 is a left side view thereof; FIG. 5 is a right side view thereof; FIG. 6 is a top plan view thereof; FIG. 7 is a bottom plan thereof; and, FIG. 8 is a view showing the application thereof, wherein the broken line portion id for illustrative purposes only and forms no part of the claimed design.

**1 Claim, 8 Drawing Sheets**



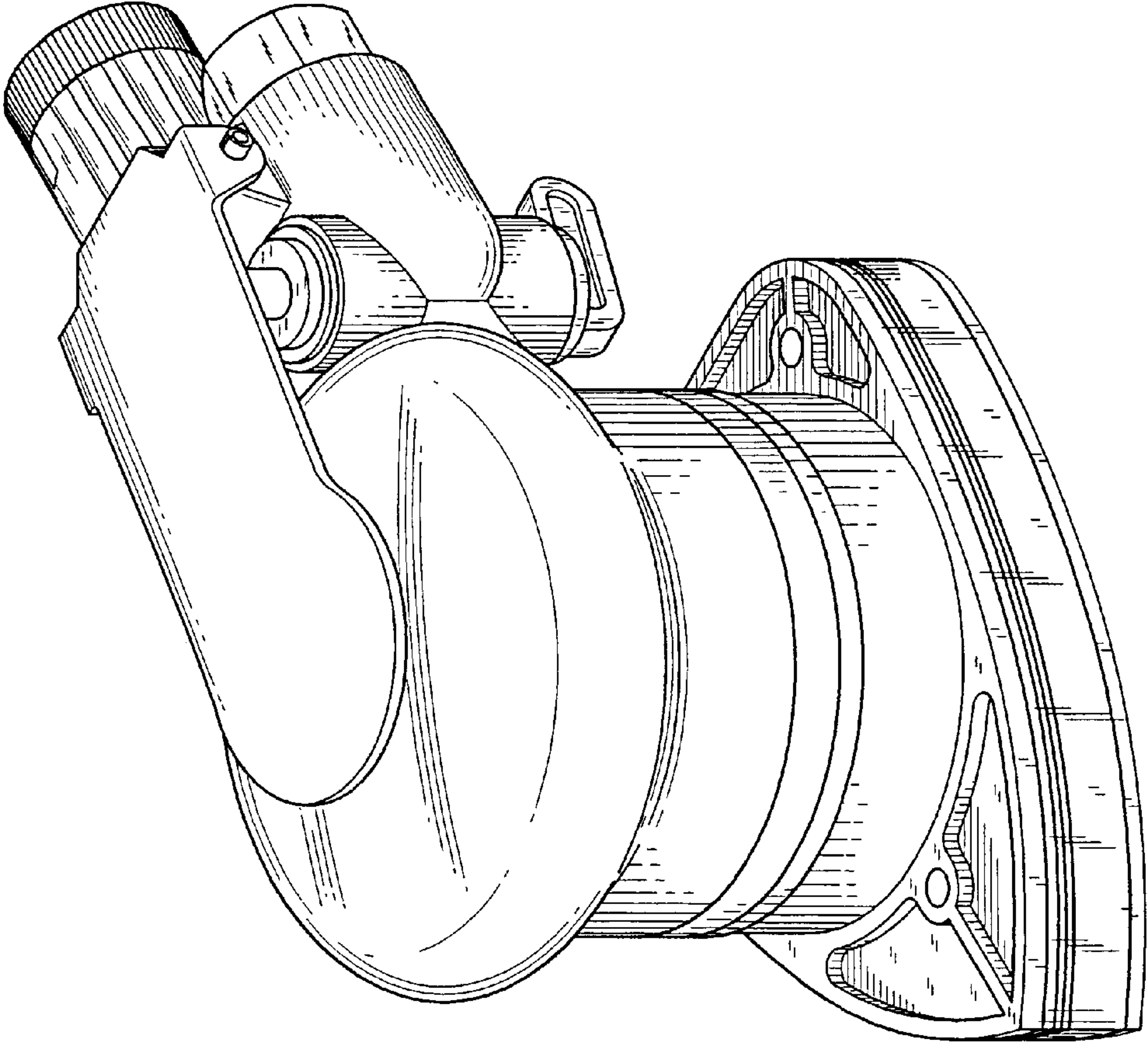


FIG. 1

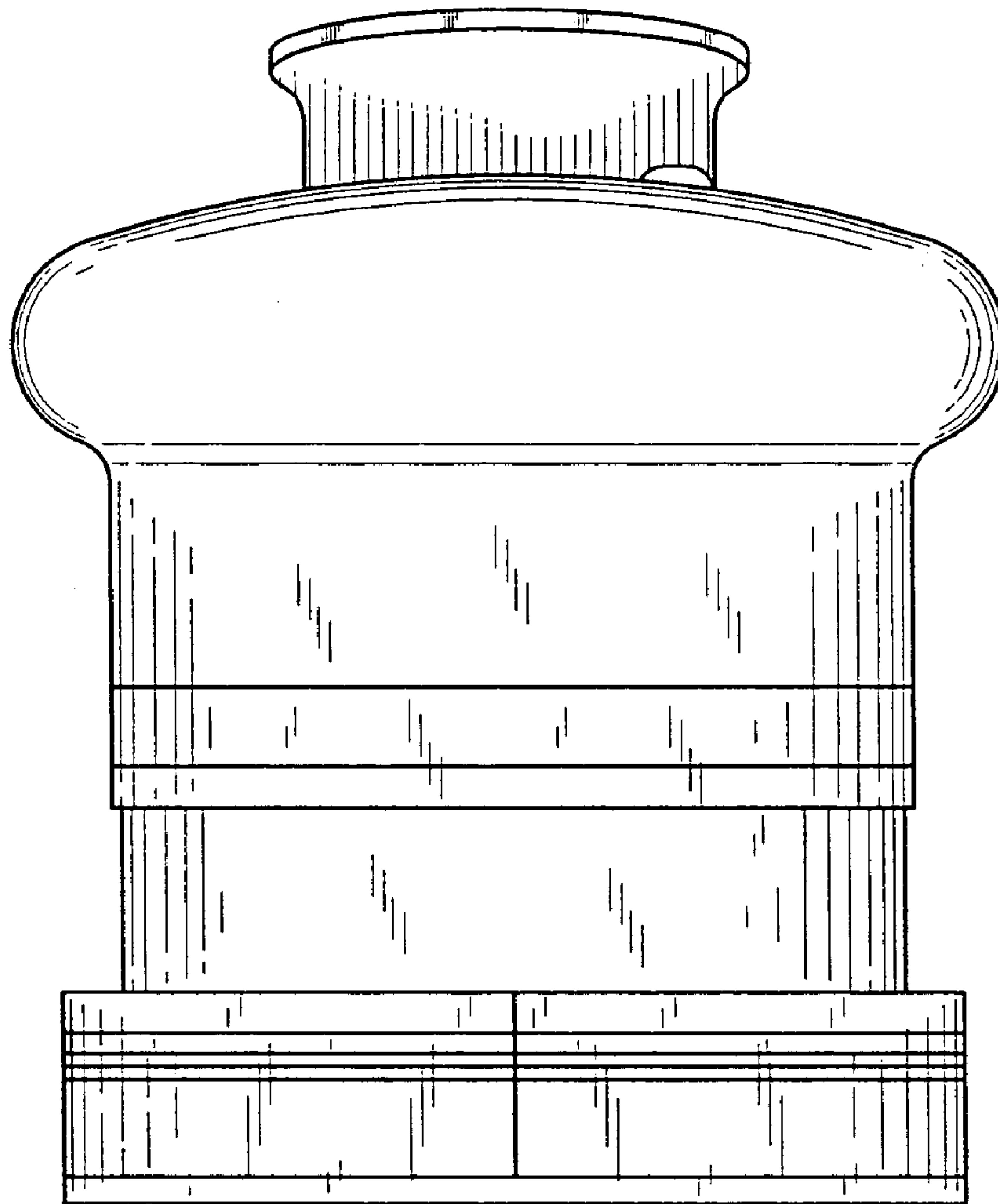


FIG. 2

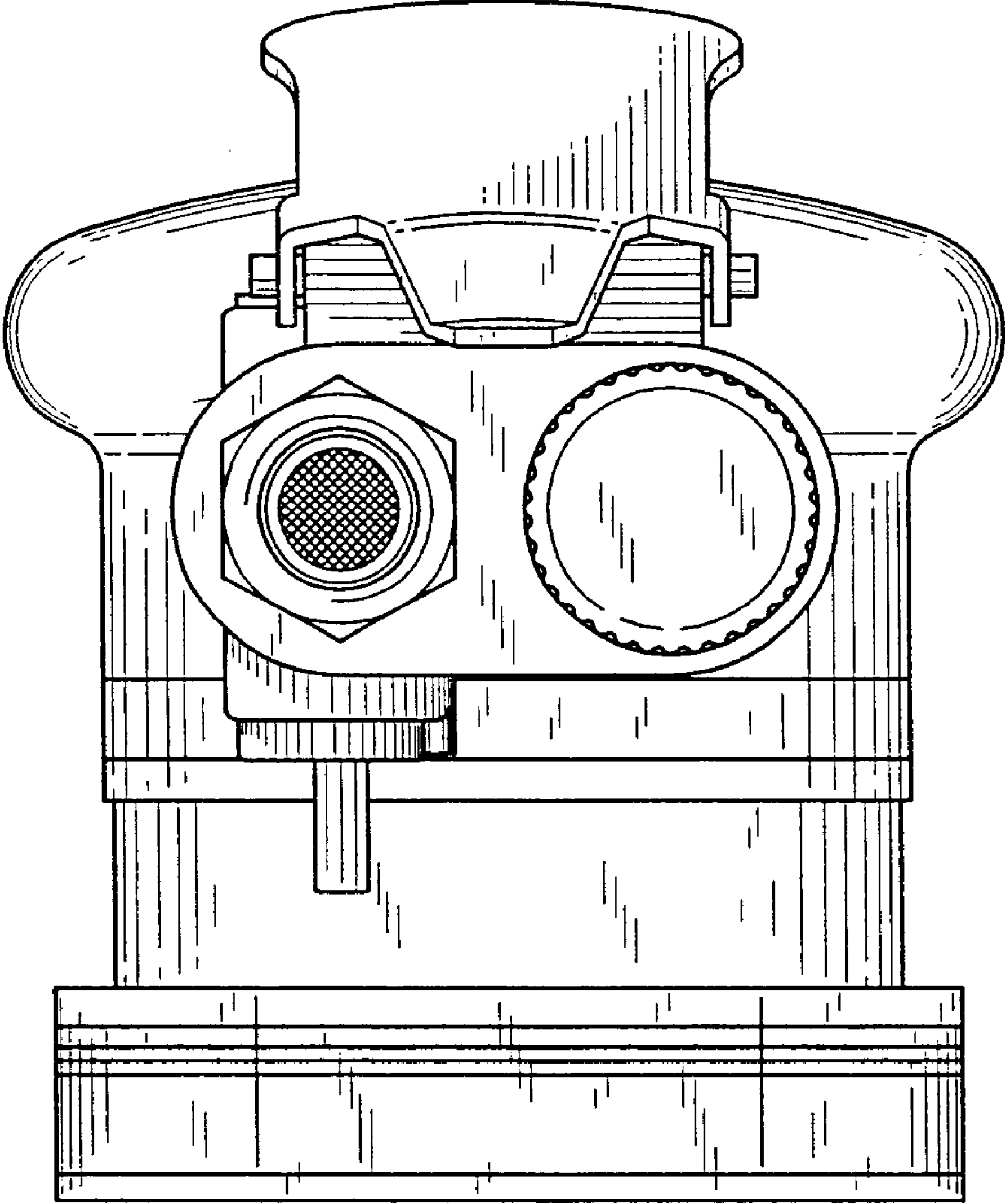


FIG. 3

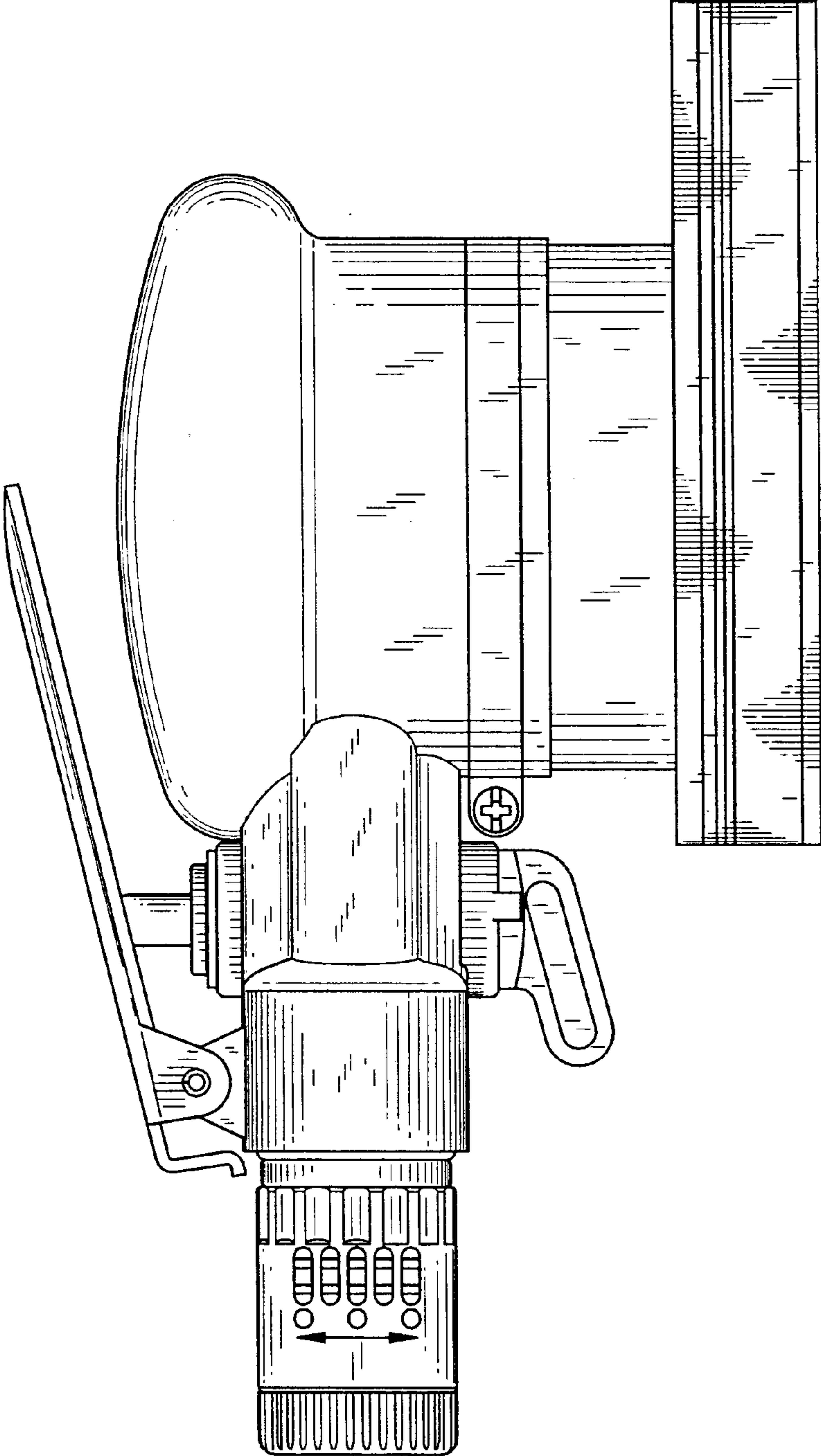


FIG. 4



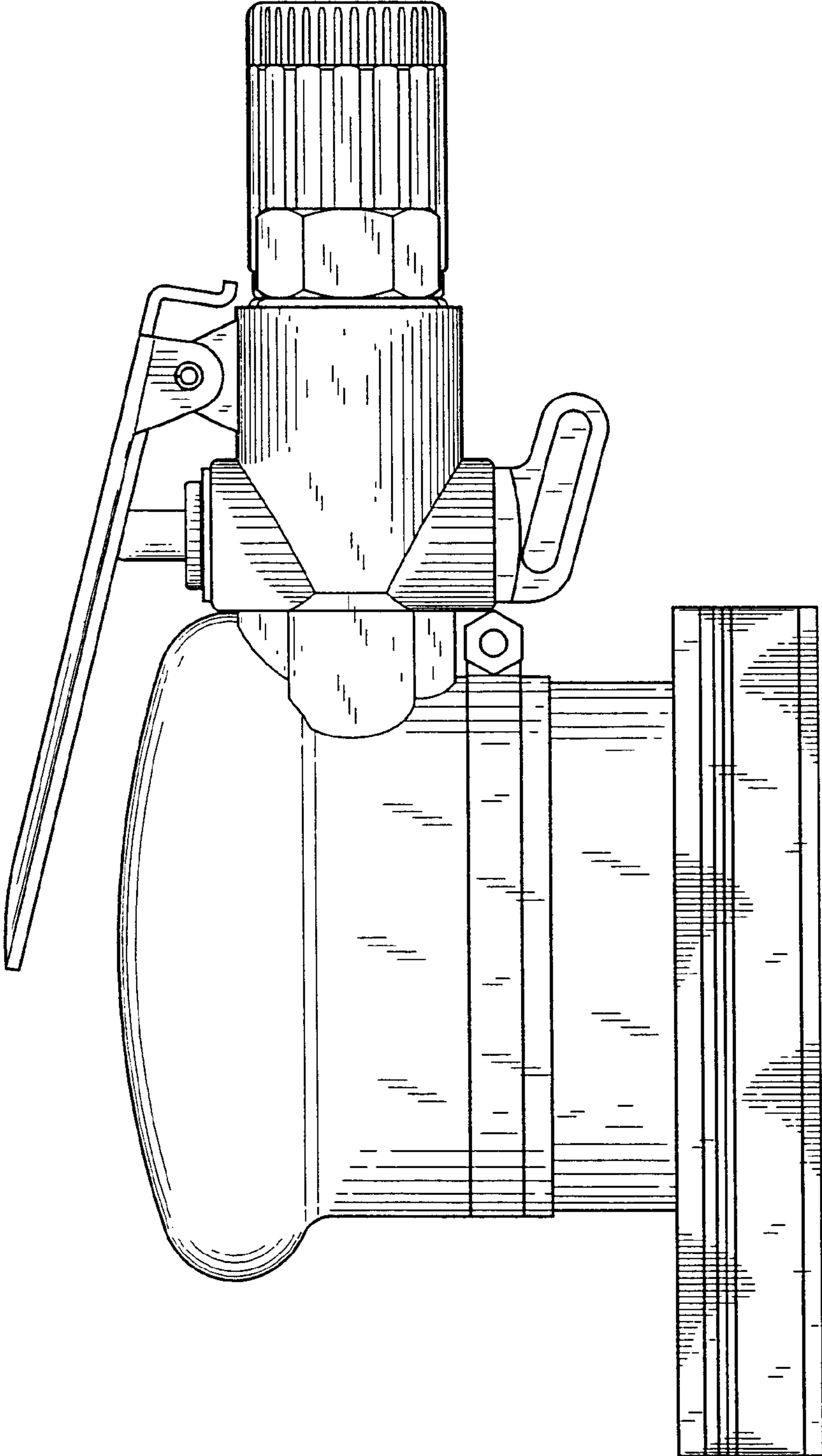


FIG. 5

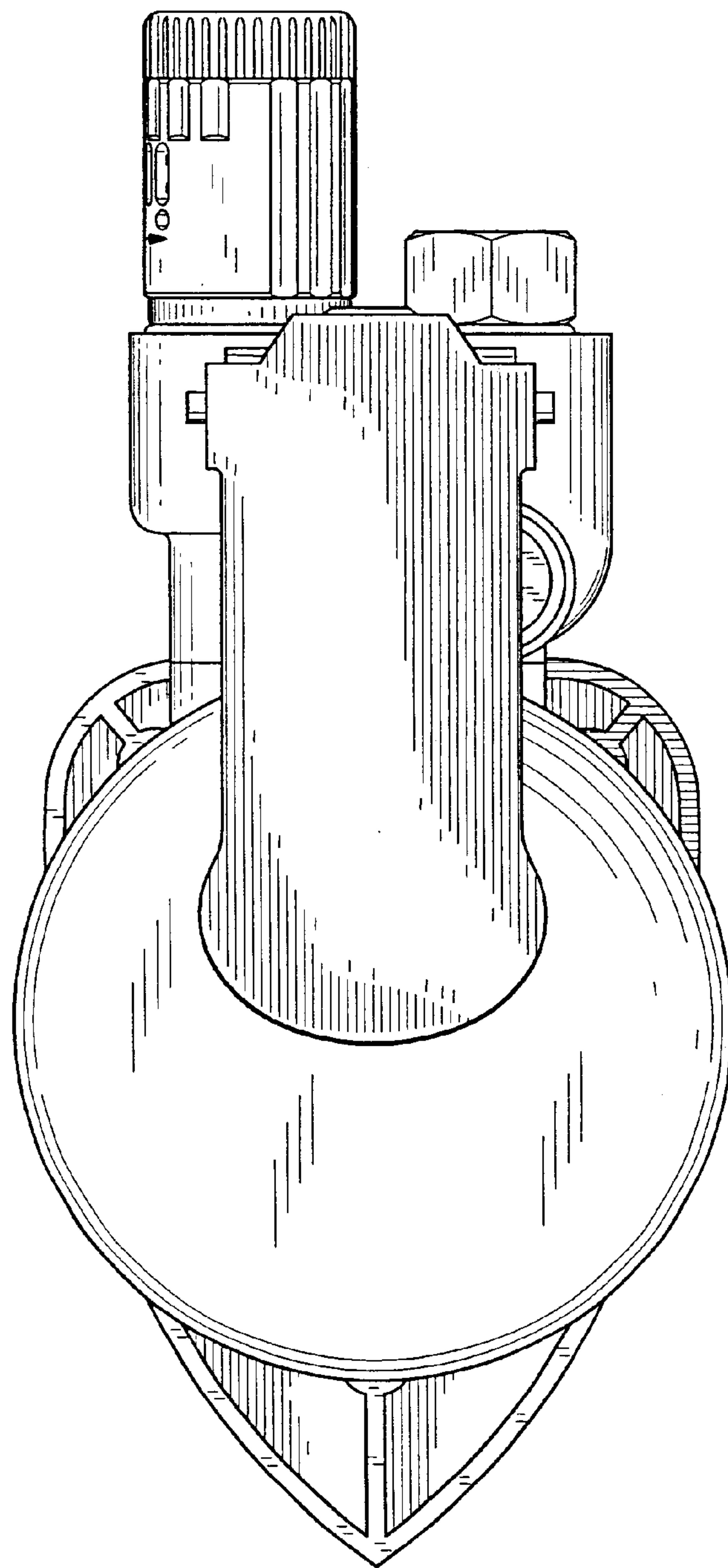


FIG. 6

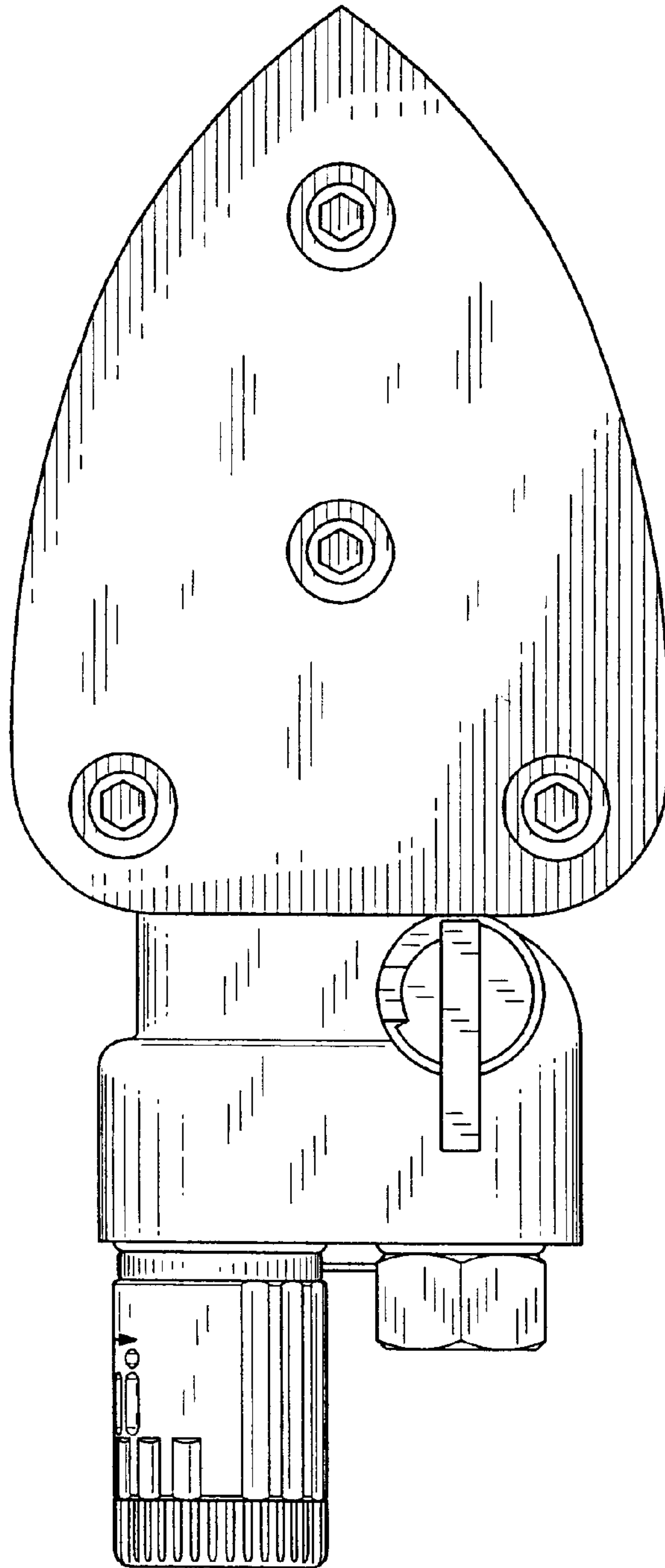


FIG. 7



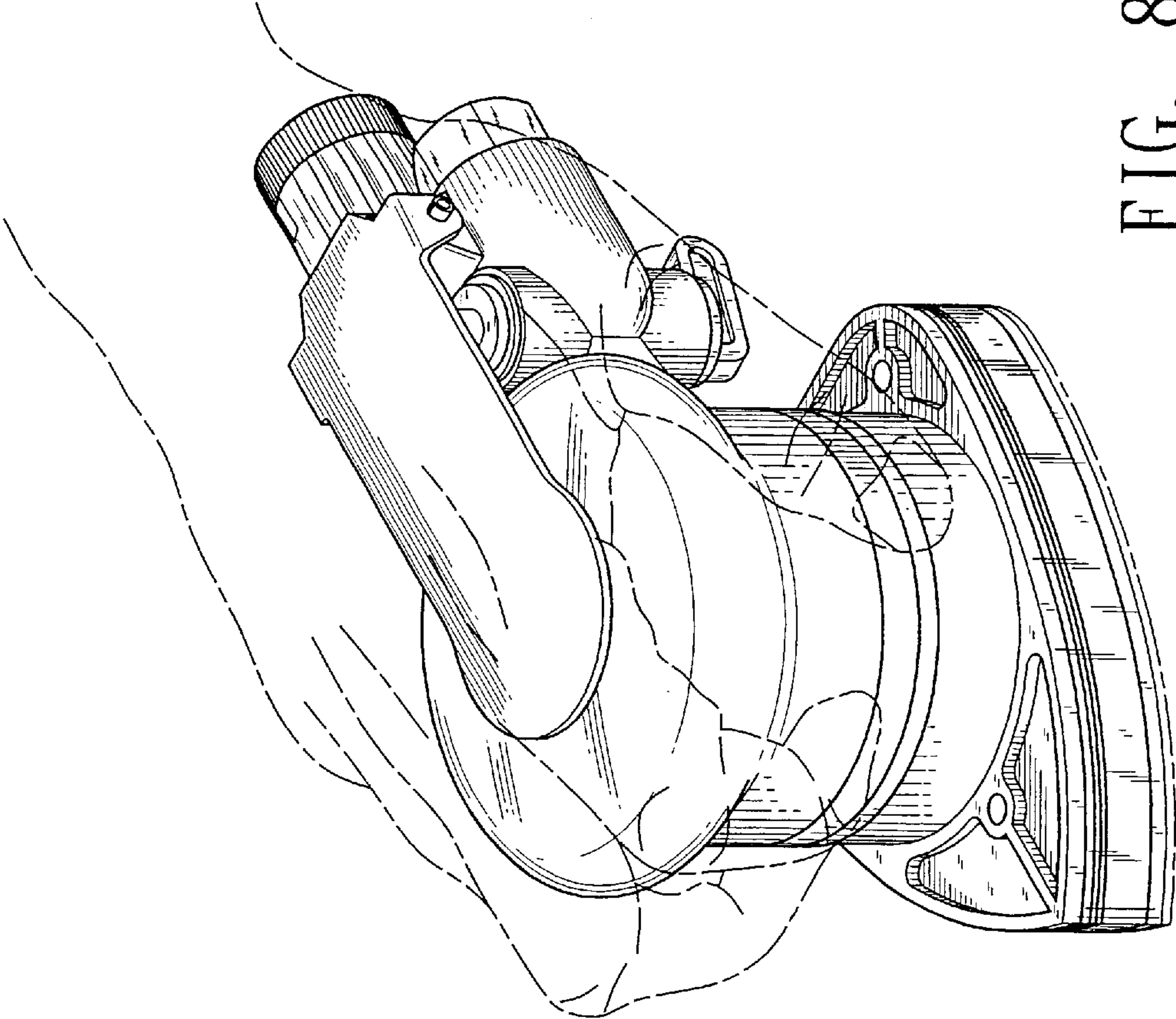


FIG. 8