

US00D494424S1

(12) **United States Design Patent**
Segura

(10) **Patent No.:** **US D494,424 S**

(45) **Date of Patent:** **** Aug. 17, 2004**

(54) **THERMAL CONTAINER**

D373,055 S * 8/1996 Segura D7/709
D376,075 S * 12/1996 Segura D7/709
D453,448 S * 2/2002 Segura D7/608

(75) **Inventor:** **Hernando Morales Segura, La**
Victoria-Estado Aragua (VE)

* cited by examiner

(73) **Assignee:** **Polimeros Industriales C.A., Estado**
Aragua (VE)

Primary Examiner—Terry A. Wallace

(74) *Attorney, Agent, or Firm*—Dennison, Schultz &
Dougherty

(**) **Term:** **14 Years**

(57) **CLAIM**

(21) **Appl. No.:** **29/171,317**

The ornamental design for a thermal container, as shown and
described.

(22) **Filed:** **Nov. 21, 2002**

(51) **LOC (7) Cl.** **07-01**

DESCRIPTION

(52) **U.S. Cl.** **D7/608**

(58) **Field of Search** D7/605–608, 709,
D7/710; D3/201, 202, 203, 206, 232, 276,
287; 62/457.1, 457.7; 206/223, 541–549;
220/592.02, 592.24, 592.25, 915.1, 915.2

FIG. 1 is a perspective view of a thermal container showing
my new design;

FIG. 2 is a front elevational view thereof;

FIG. 3 is a side elevational view thereof;

FIG. 4 is a top plan view thereof; and,

FIG. 5 is a bottom plan view thereof.

The strap is shown removed in FIGS. 2–5 for clarity of
illustration.

(56) **References Cited**

U.S. PATENT DOCUMENTS

4,537,044 A * 8/1985 Putnam 62/457.7
D372,172 S * 7/1996 Segura D7/608

1 Claim, 5 Drawing Sheets

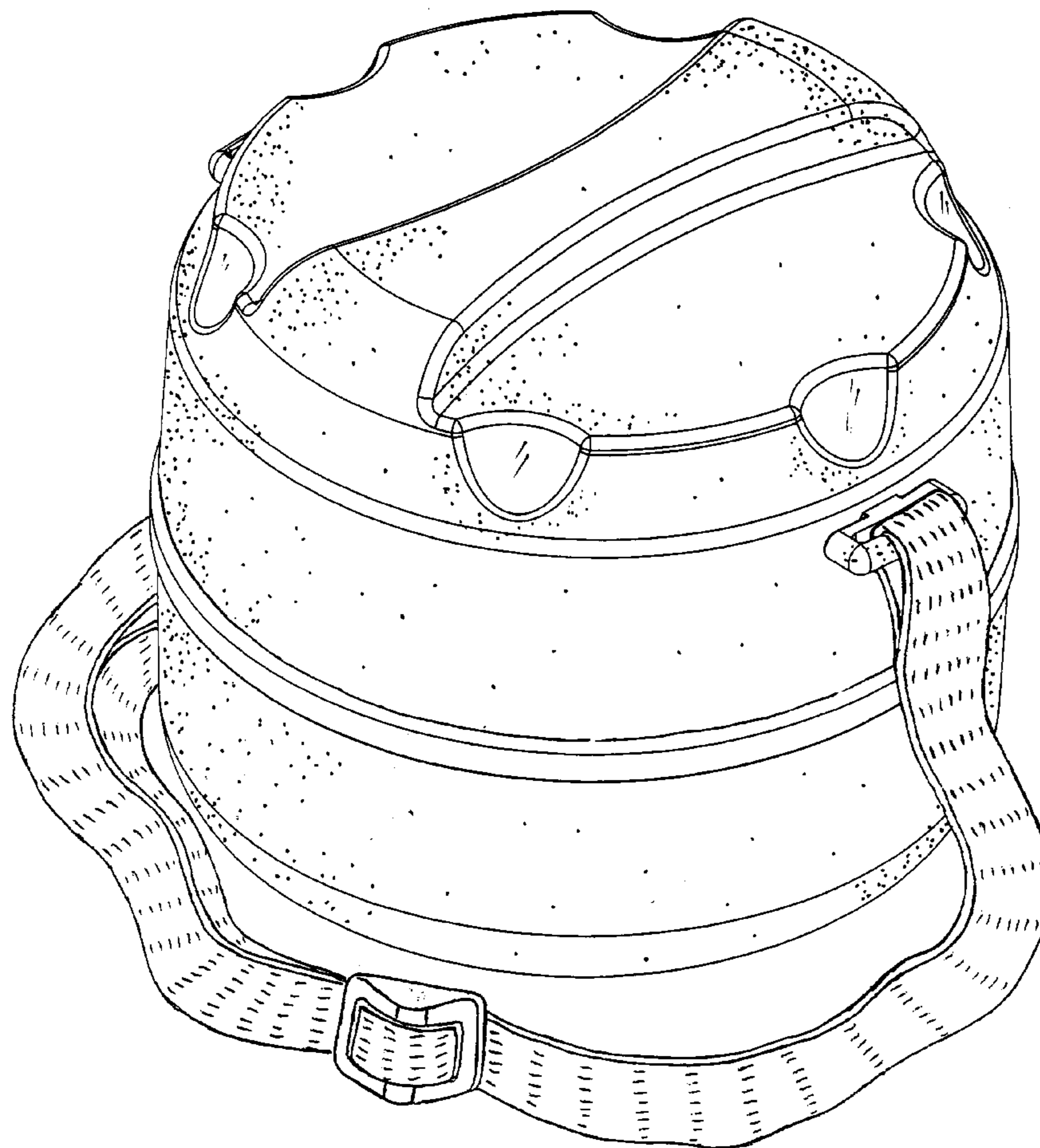


FIG. 1

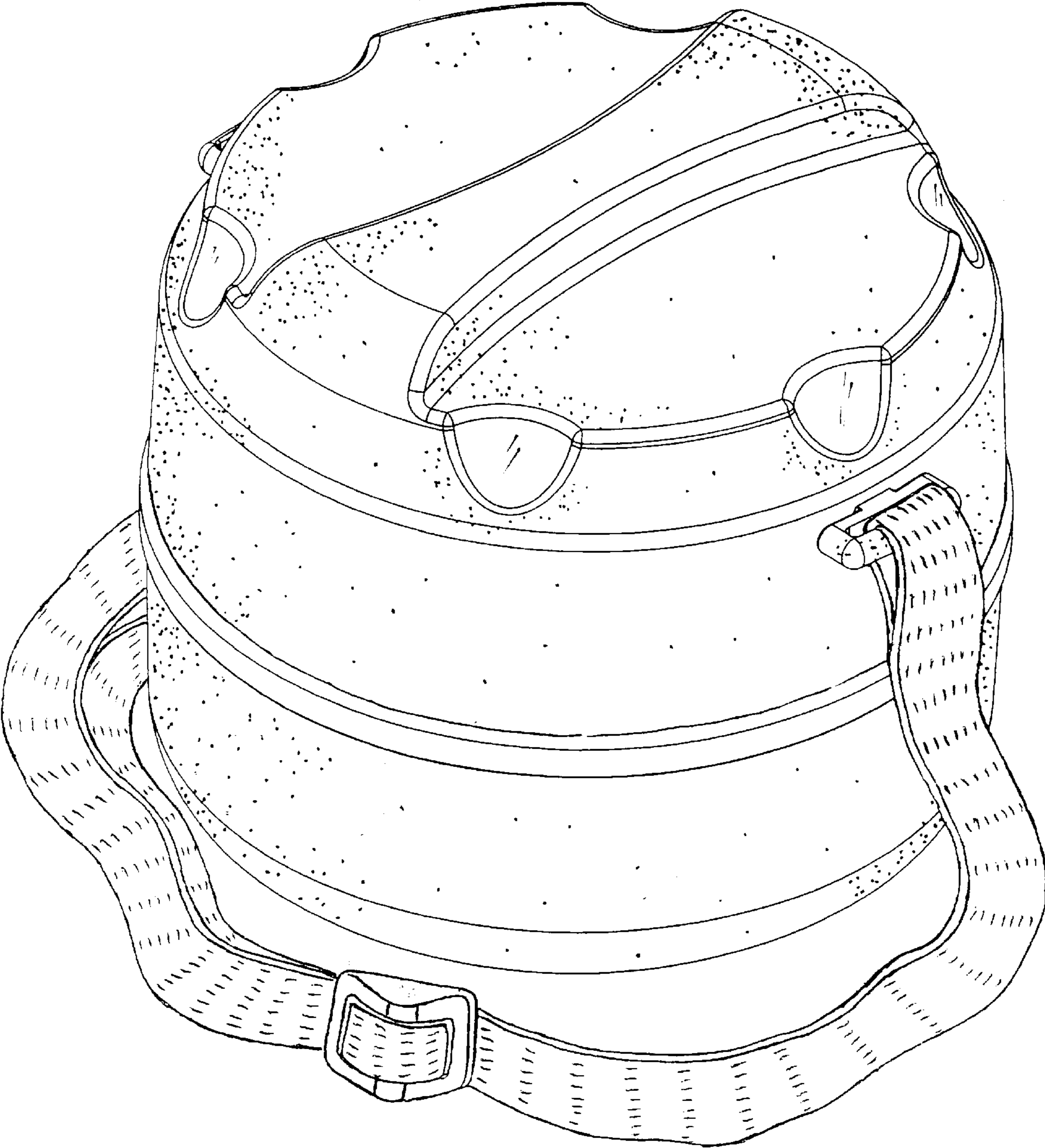


Fig. 2

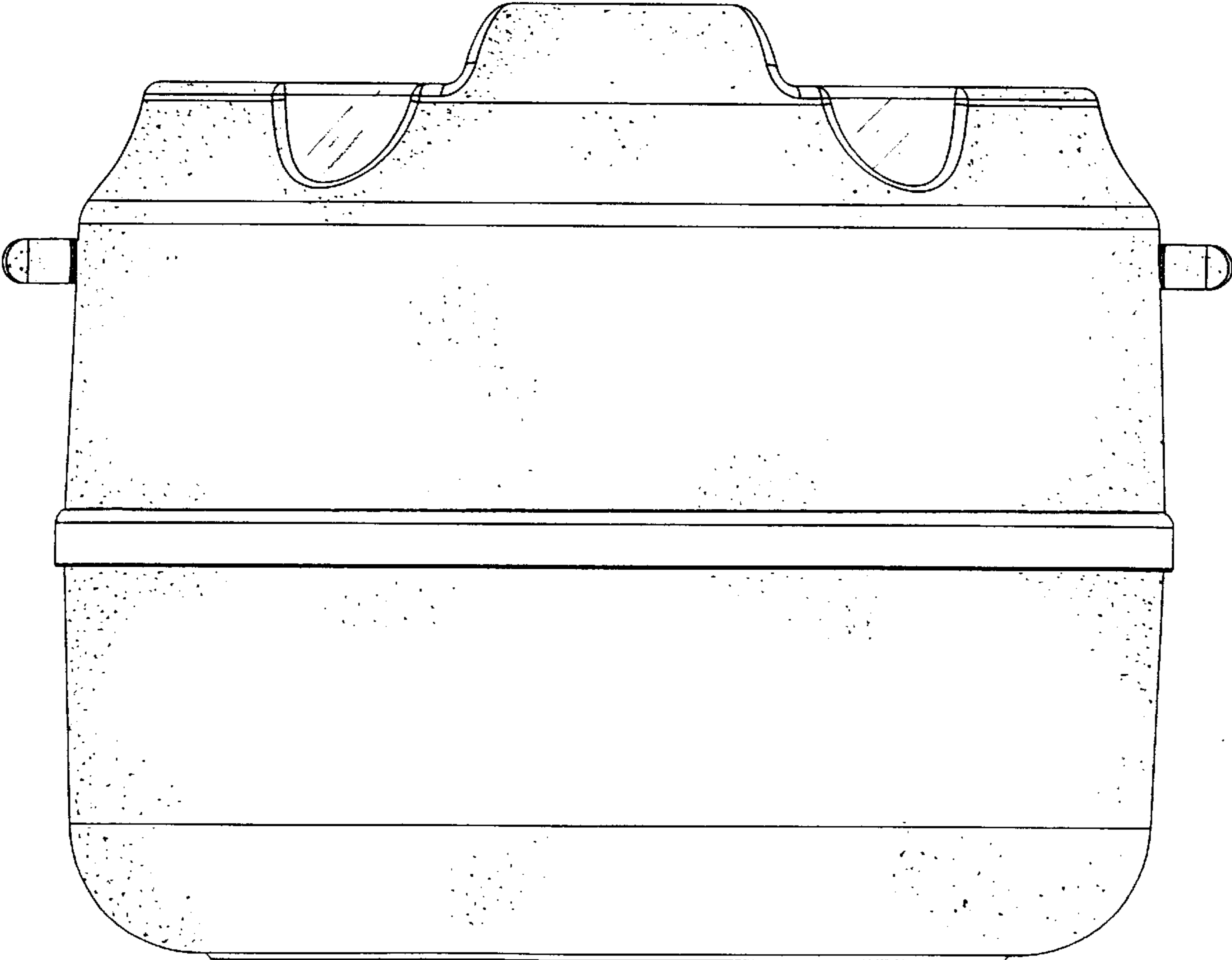


Fig. 3

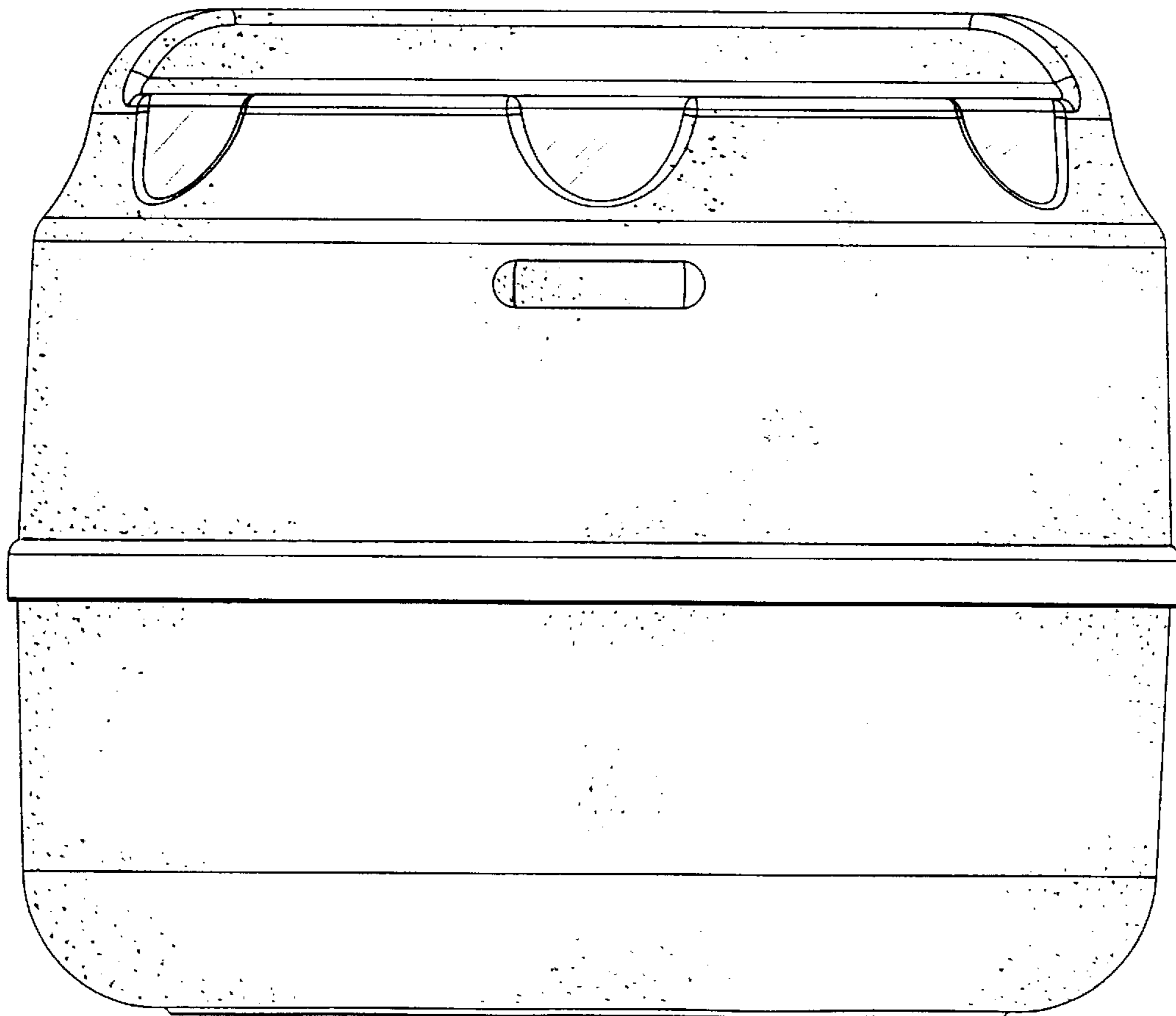


Fig. 4

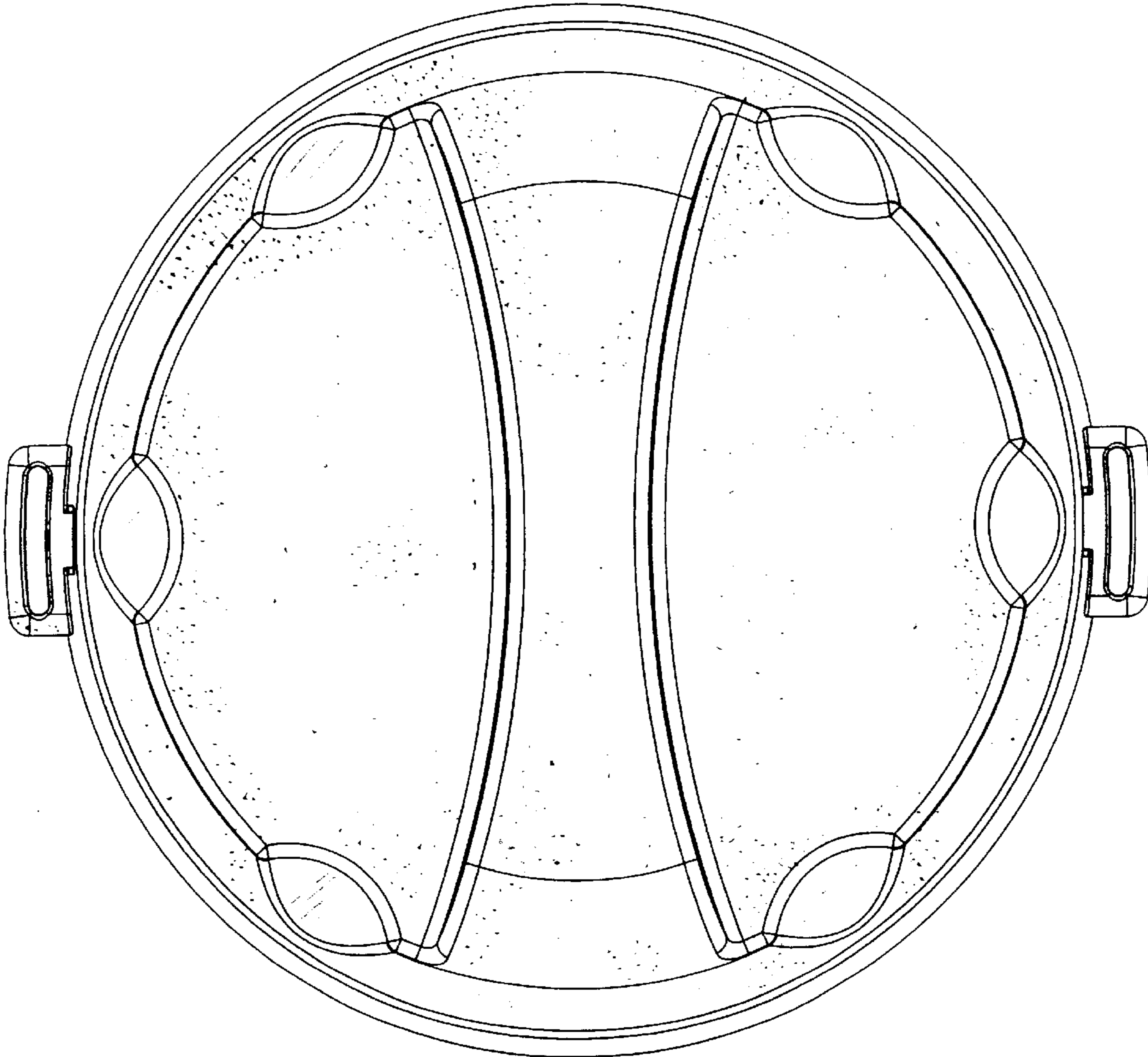


Fig. 5

