

US00D494422S1

(12) **United States Design Patent**  
**Compagnucci**

(10) **Patent No.:** **US D494,422 S**

(45) **Date of Patent:** **\*\* Aug. 17, 2004**

(54) **BASKET**

(75) **Inventor:** **Rossano Compagnucci, Osimo (IT)**

(73) **Assignee:** **Compagnucci S.p.A., Via Scarpara  
Alta, 57 (IT)**

(\*\*) **Term:** **14 Years**

(21) **Appl. No.:** **29/194,404**

(22) **Filed:** **Nov. 24, 2003**

(30) **Foreign Application Priority Data**

May 28, 2003 (EP) ..... 000037304

(51) **LOC (7) Cl.** ..... **07-01**

(52) **U.S. Cl.** ..... **D7/601**

(58) **Field of Search** ..... D3/304-308, 310,  
D3/313, 315, 316, 201; D32/55, 58; D7/590,  
600, 601, 704-706, 701; D6/566, 567;  
211/41.1-41.9, 85.25, 50, 85.31, 40, 41.12,  
181.1; 248/37.3, 107, 153, 175, 302

(56) **References Cited**

**U.S. PATENT DOCUMENTS**

1,254,287 A \* 1/1918 Sterling ..... 211/41.4

2,479,118 A \* 8/1949 Jenness ..... 211/41.5  
2,708,037 A \* 5/1955 Planeta ..... 211/74  
D295,125 S \* 4/1988 Chap ..... D7/704  
D370,323 S \* 5/1996 Lafond ..... D32/55

\* cited by examiner

*Primary Examiner*—Louis S. Zarfaz

*Assistant Examiner*—Deanne Levy

(74) *Attorney, Agent, or Firm*—Armstrong, Kratz, Quintos,  
Hanson & Brooks, LLP

(57) **CLAIM**

The ornamental design for a basket, as shown.

**DESCRIPTION**

FIG. 1 is a top plan view of a basket showing my new design.

FIG. 2 is a rear elevational view thereof in overturned position.

FIG. 3 is a front elevational view thereof.

FIG. 4 is a right side elevational view thereof.

FIG. 5 is a left side elevational view thereof.

FIG. 6 is a bottom plan view thereof; and,

FIG. 7 is a left perspective view thereof.

**1 Claim, 2 Drawing Sheets**

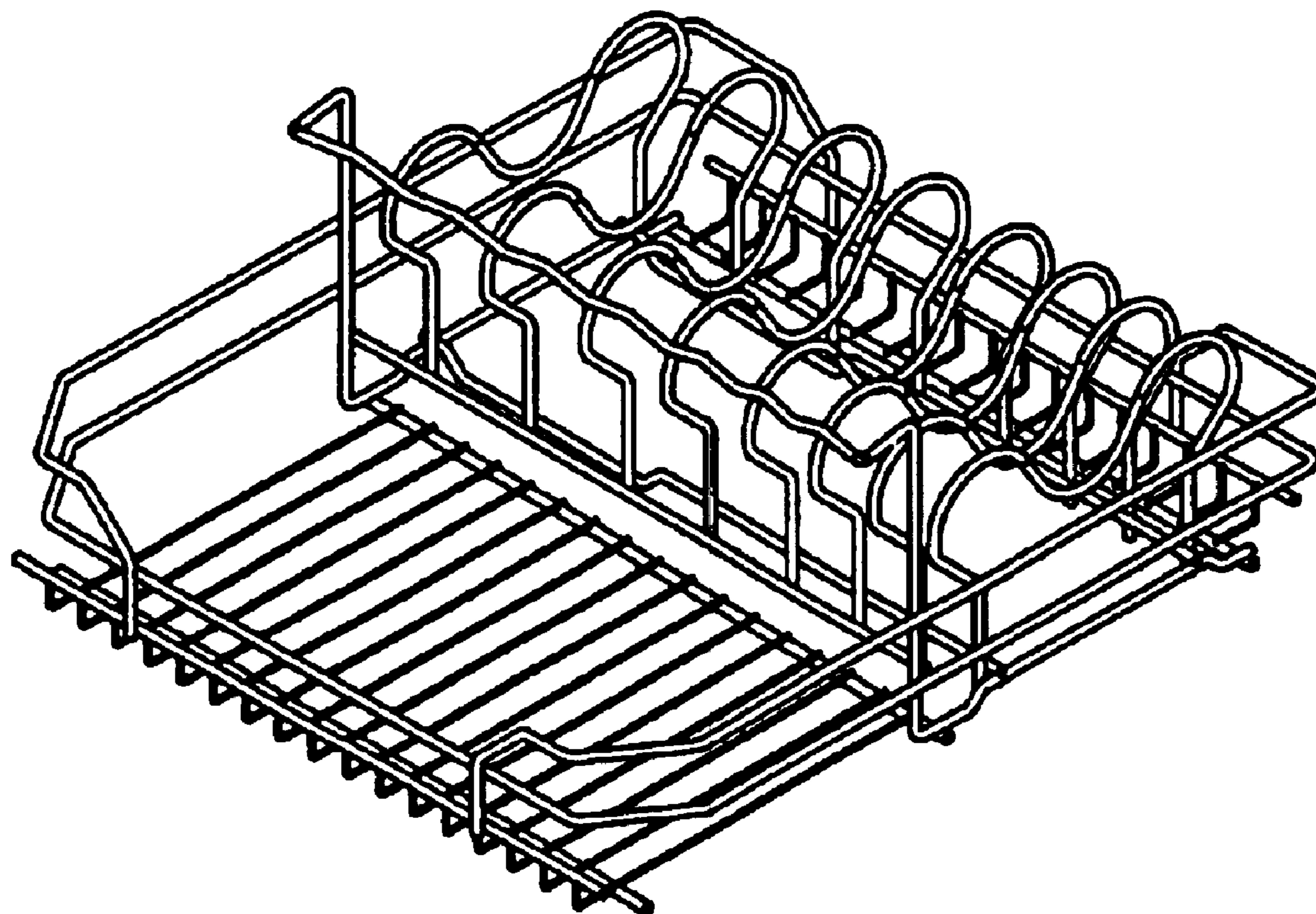


Fig. 3

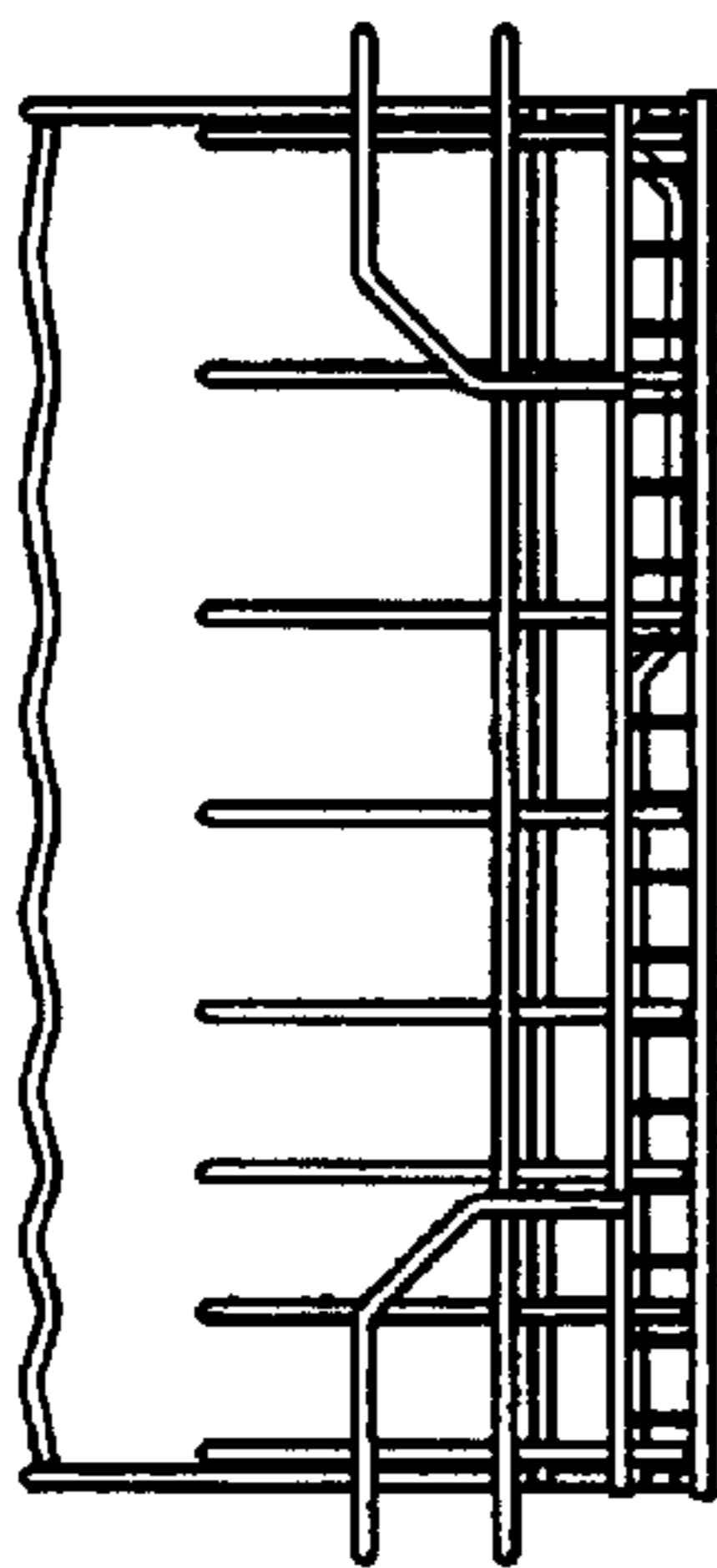
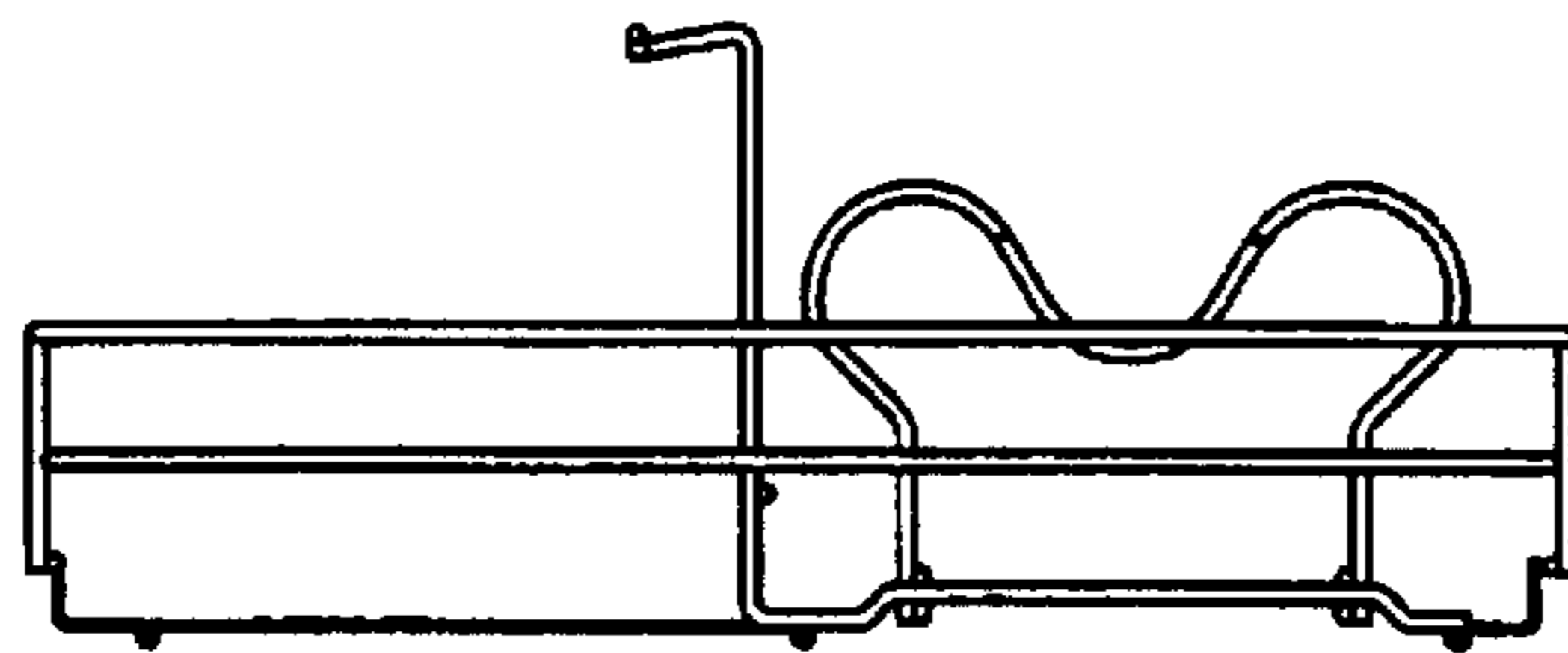


Fig.4

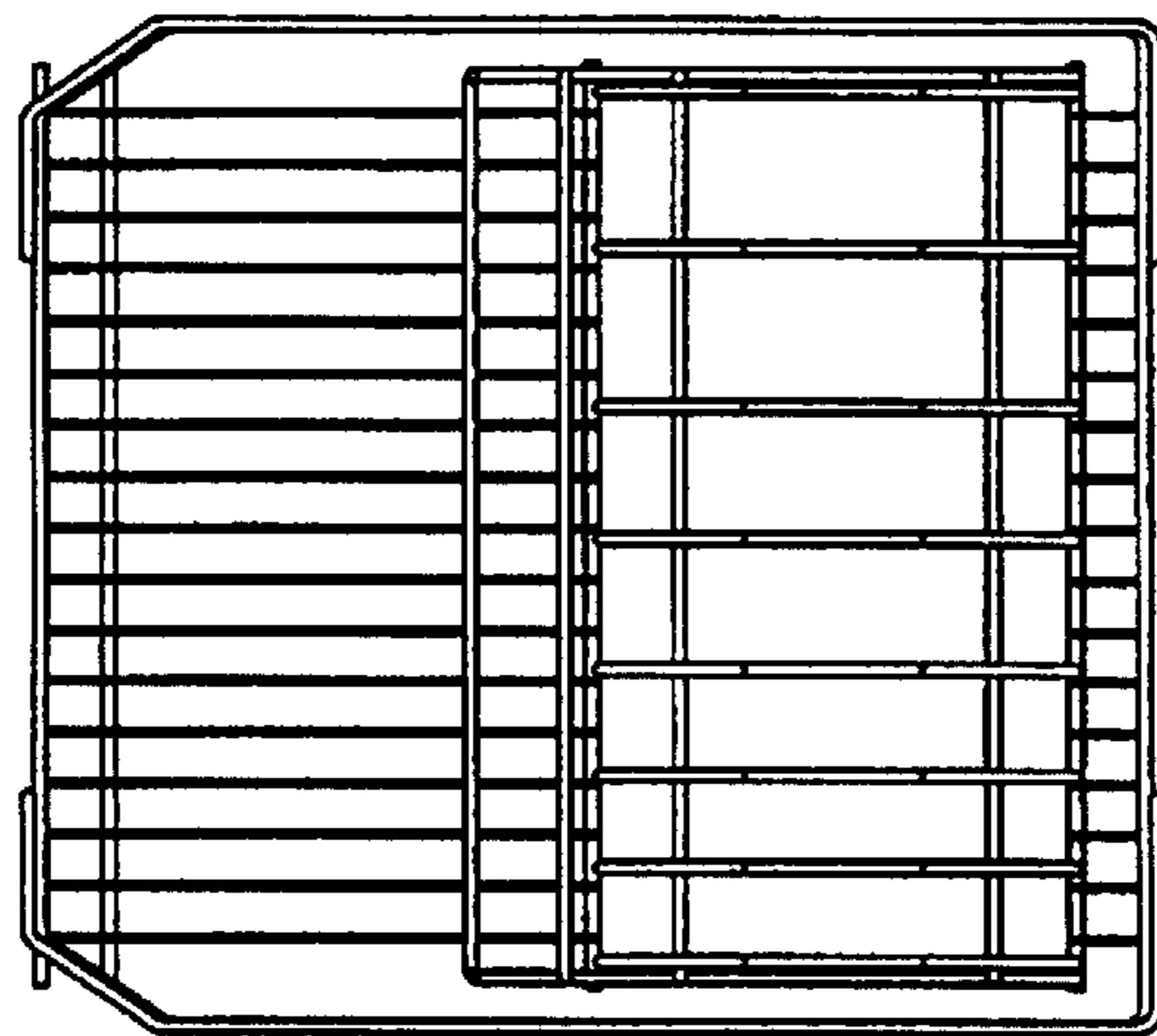


Fig. 1

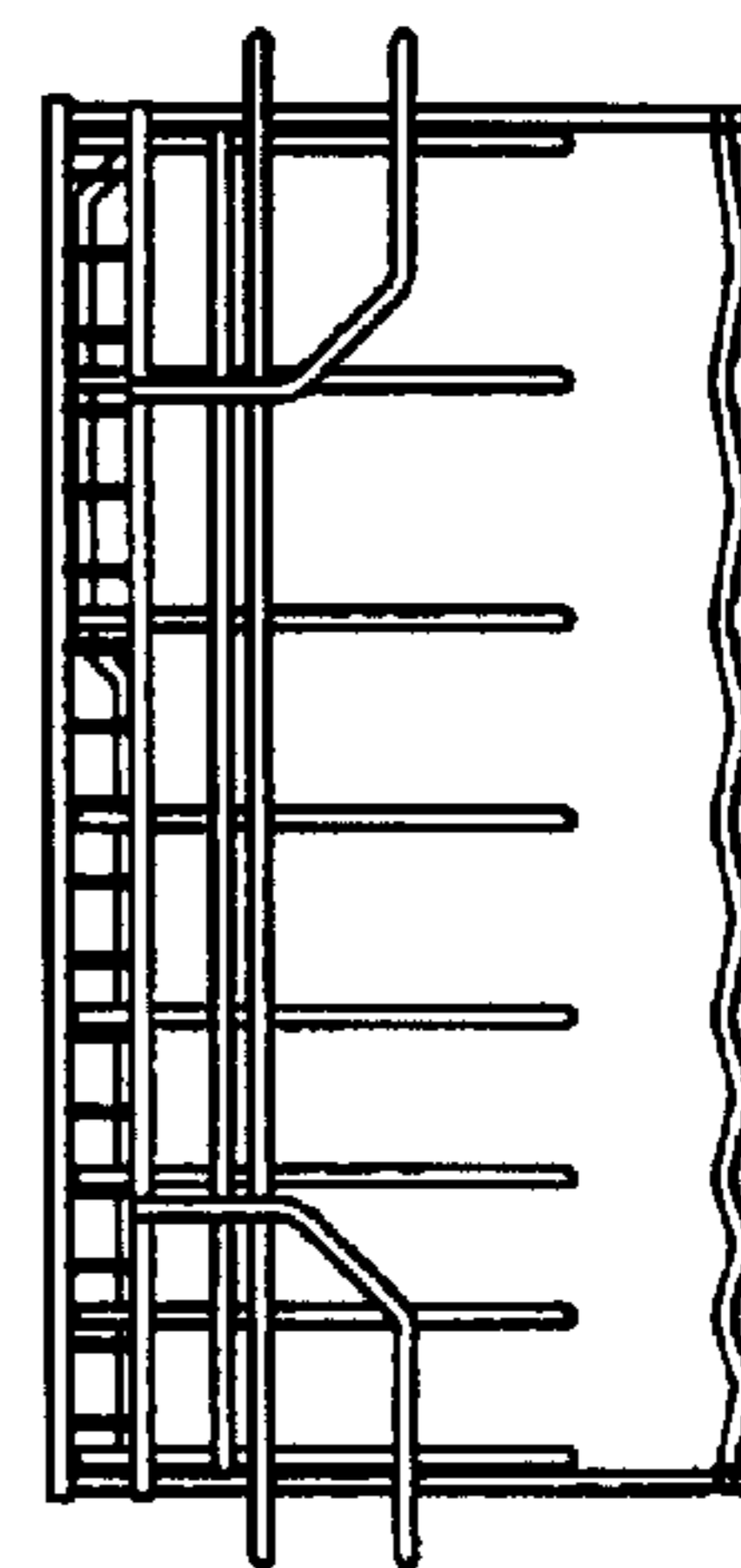


Fig.5

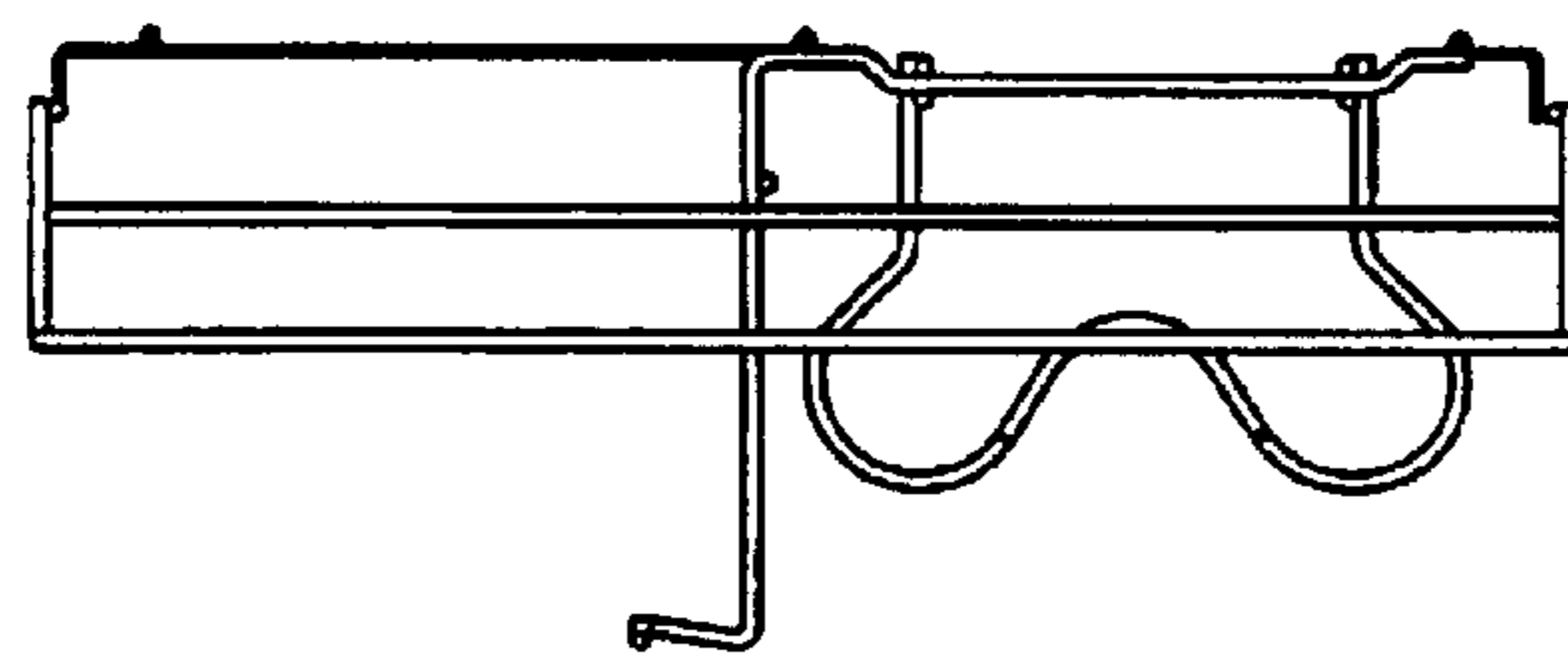


Fig. 2

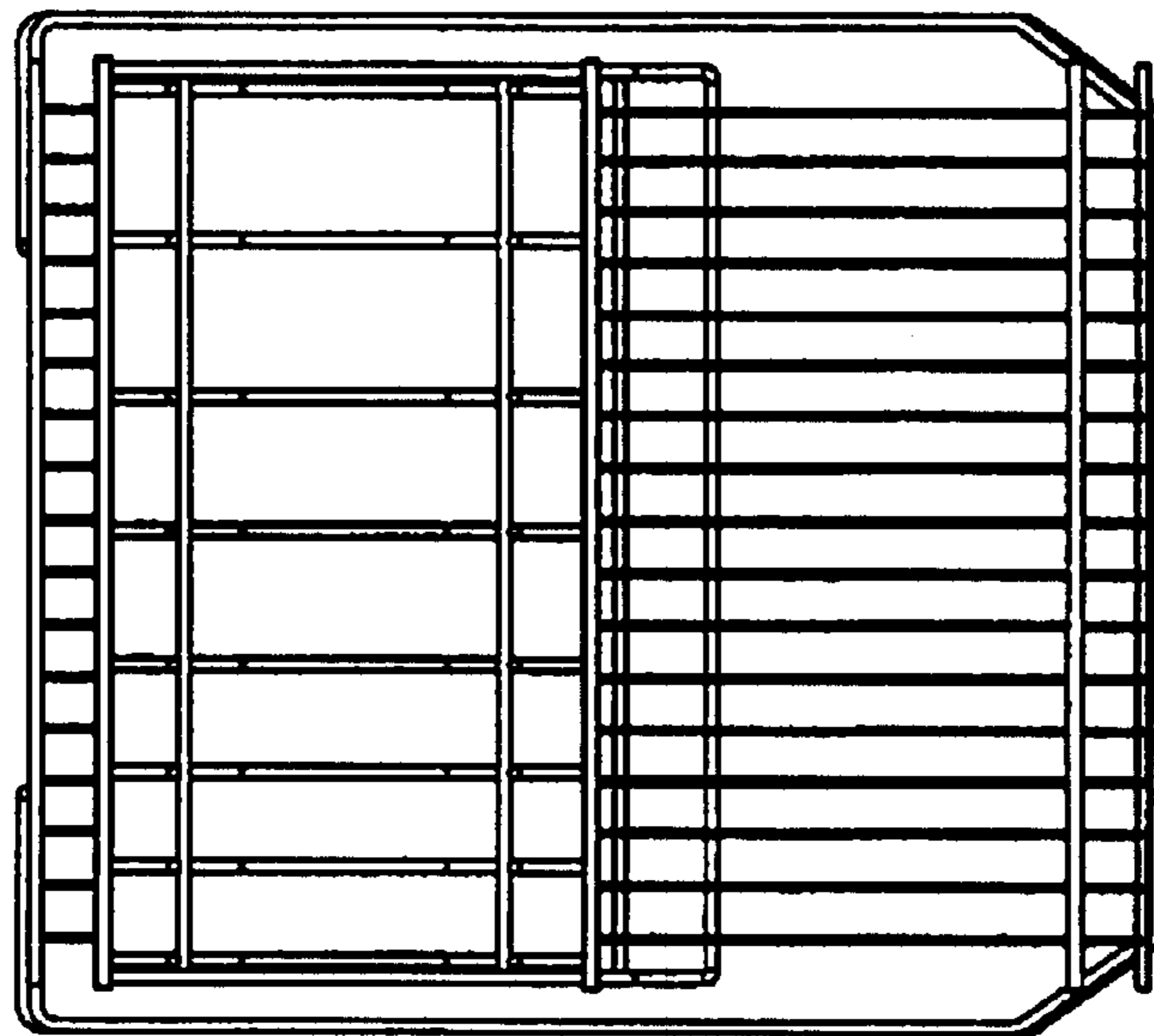


Fig. 6

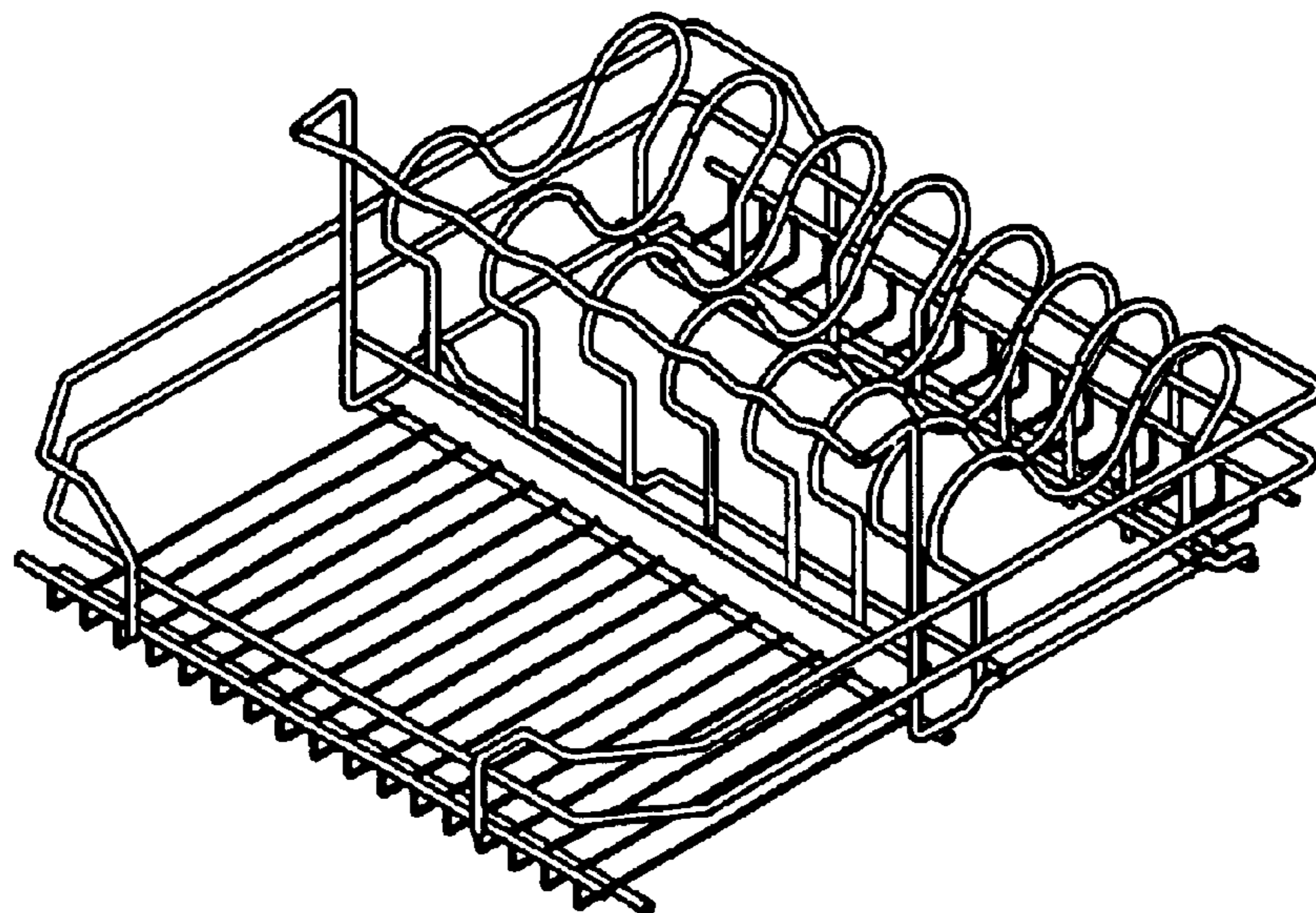


Fig. 7