

US00D494410S1

(12) **United States Design Patent**
Stuart et al.

(10) **Patent No.: US D494,410 S**

(45) **Date of Patent: ** Aug. 17, 2004**

(54) **STICK BLENDER**

(75) Inventors: **Jerry E. Stuart**, New Hartford, CT (US); **Gerard A. Rutigliano**, Ridgefield, CT (US); **Frank R. Chiappetta**, Woodbury, CT (US)

(73) Assignee: **Conair Corporation**, Stamford, CT (US)

(**) Term: **14 Years**

(21) Appl. No.: **29/180,051**

(22) Filed: **Apr. 18, 2003**

(51) **LOC (7) Cl.** **31-00**

(52) **U.S. Cl.** **D7/379**

(58) **Field of Search** D7/376-380, 384, D7/386, 412; D8/14, 61, 64, 68, 107; 241/33, 168, 169.1, 291, 301; 366/64, 100, 129, 279, 325.5, 330.3, 330.4

(56) **References Cited**

U.S. PATENT DOCUMENTS

| | | | | | | |
|-----------|---|---|---------|-----------------|-------|---------|
| 3,333,830 | A | * | 8/1967 | Spingler et al. | | 366/129 |
| 3,733,645 | A | * | 5/1973 | Seiler | | 366/129 |
| D271,176 | S | | 11/1983 | Zimnowicz | | D7/379 |
| D308,001 | S | | 5/1990 | Ricard | | D7/376 |
| D327,603 | S | | 7/1992 | Van Asten | | D7/376 |
| D345,076 | S | | 3/1994 | Saltet | | D7/376 |
| D356,478 | S | * | 3/1995 | Heskey et al. | | D8/61 |
| D358,243 | S | | 5/1995 | Ferguson | | D32/43 |
| D361,241 | S | | 8/1995 | Littmann | | D7/376 |
| D383,938 | S | | 9/1997 | Littmann | | D7/376 |
| D392,504 | S | | 3/1998 | Lallemand | | D7/376 |
| D396,775 | S | * | 8/1998 | Arita et al. | | D7/376 |

| | | | | | | |
|-----------|----|---|--------|---------------|-------|---------|
| D408,214 | S | | 4/1999 | Cousins | | D7/376 |
| 6,193,404 | B1 | | 2/2001 | Calange | | 366/129 |
| D447,380 | S | | 9/2001 | Feil | | D7/376 |
| D456,206 | S | * | 4/2002 | Feil | | D7/376 |
| D485,729 | S | * | 1/2004 | Patton et al. | | D7/379 |

FOREIGN PATENT DOCUMENTS

GB 2072004 * 1/1998

* cited by examiner

Primary Examiner—Caron D. Veynar

(74) *Attorney, Agent, or Firm*—Ohlandt, Greeley, Ruggiero & Perle, LLP

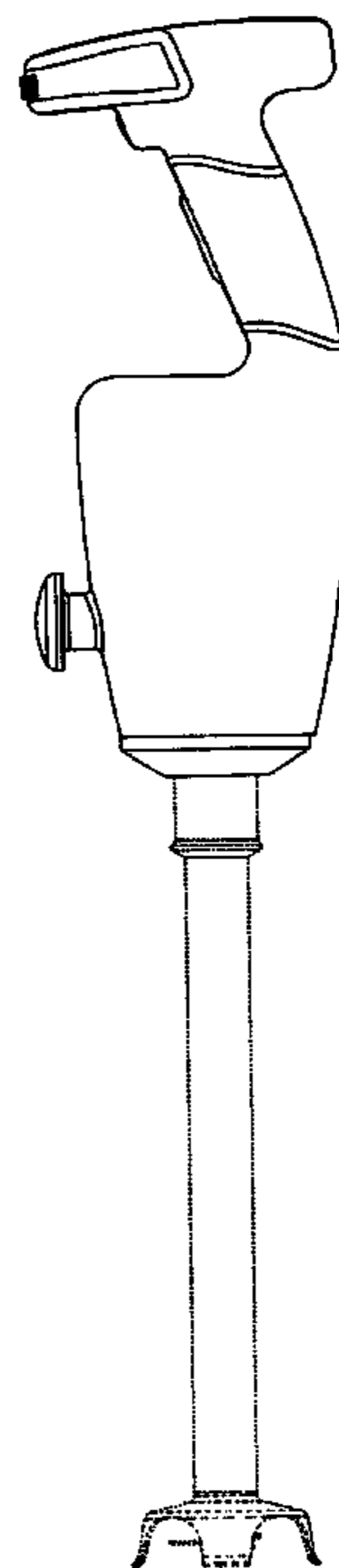
(57) **CLAIM**

The ornamental design for a stick blender, as shown and described.

DESCRIPTION

FIG. 1 is a first side view of a stick blender according to the present invention;
 FIG. 2 is a second side view, opposite the first side view, of the stick blender of FIG. 1;
 FIG. 3 is a third side view, rotated ninety degrees from the first side view, of the stick blender of FIG. 1;
 FIG. 4 is a fourth side view, opposite the third side view, of the stick blender of FIG. 1;
 FIG. 5 is a bottom view of the stick blender of FIG. 1;
 FIG. 6 is a top view of the stick blender of FIG. 1; and,
 FIG. 7 is the first side view of FIG. 1 showing the environment in which the stick blender is associated.
 The broken lines shown in FIGS. 5 and 7 are for illustrative purposes only and form no part of the claimed design.

1 Claim, 6 Drawing Sheets



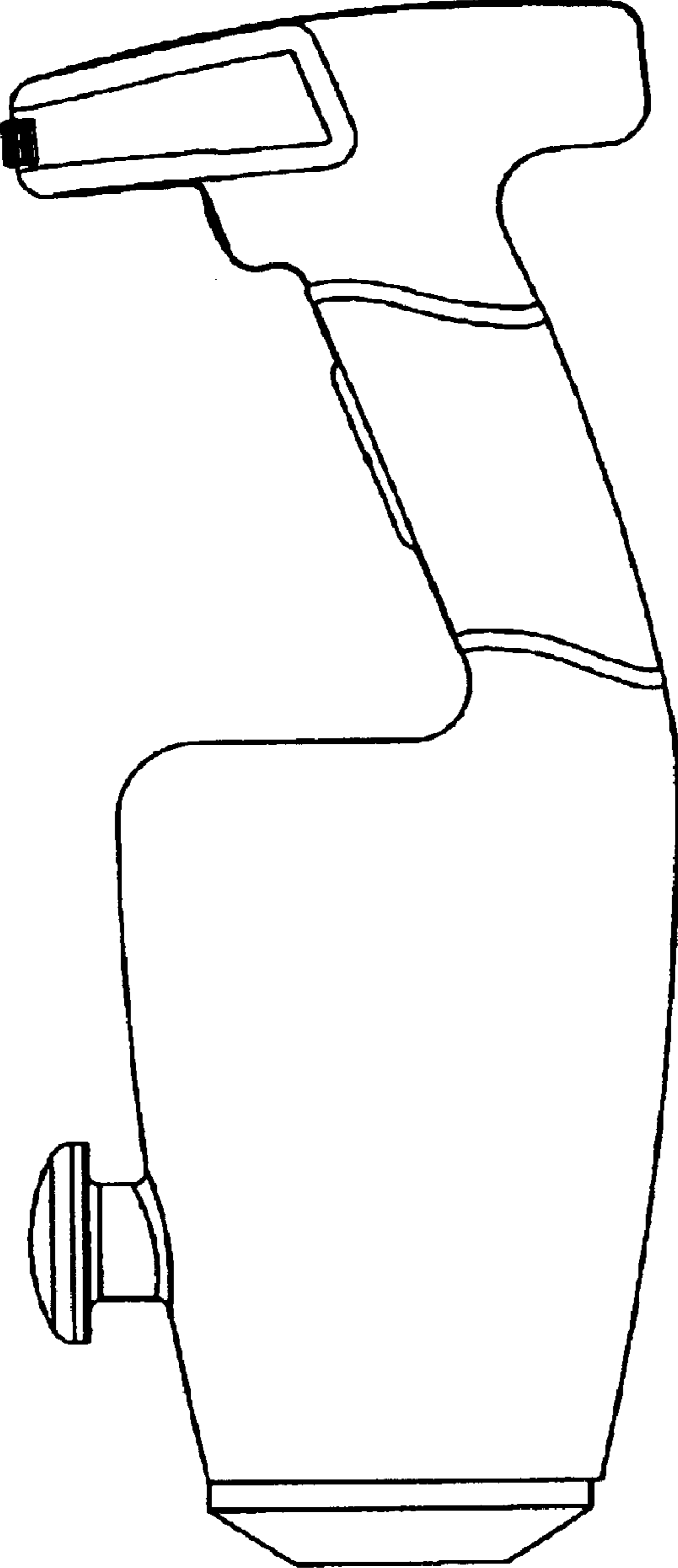


Fig. 1

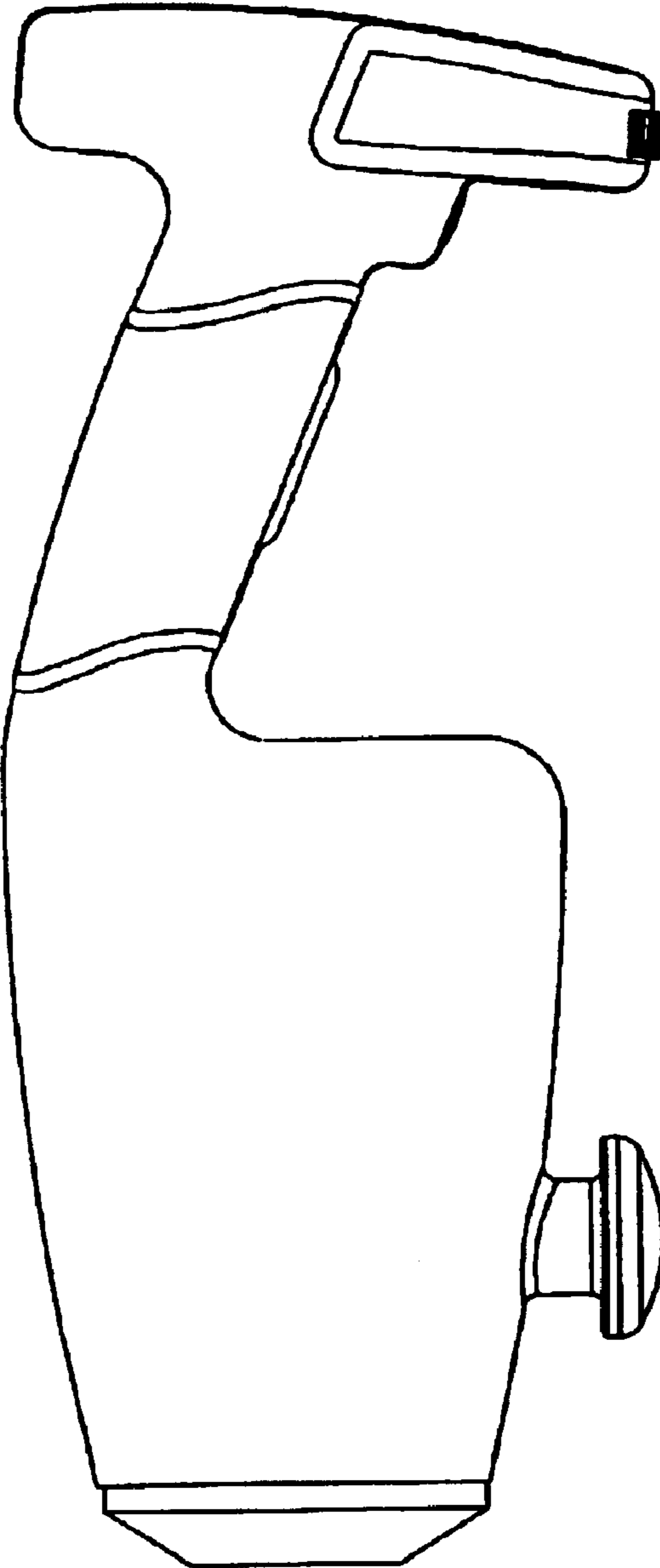


Fig. 2

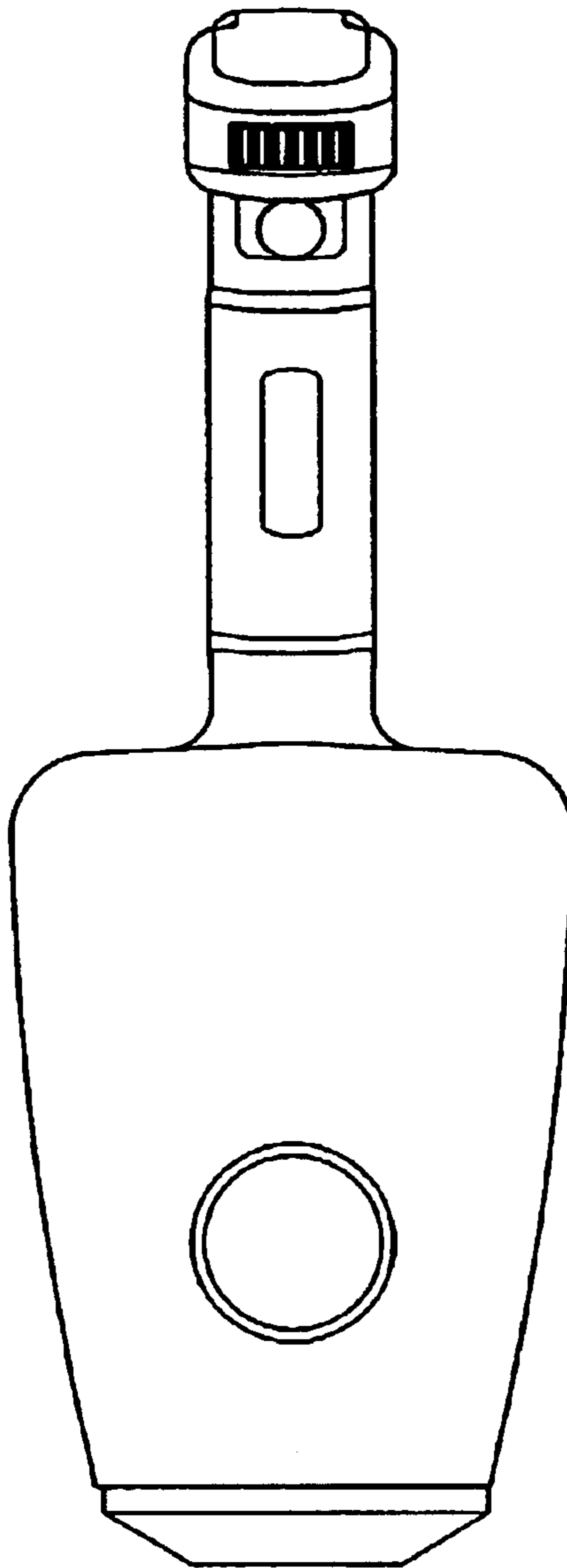


Fig. 3

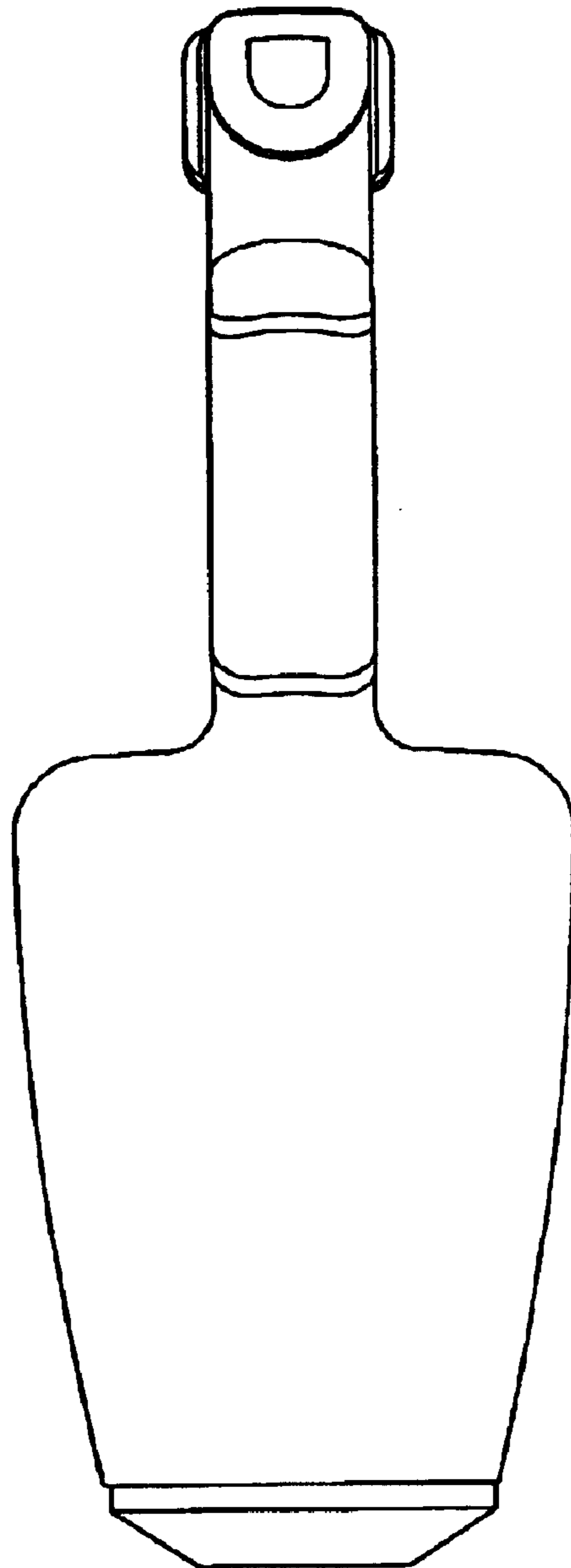


Fig. 4

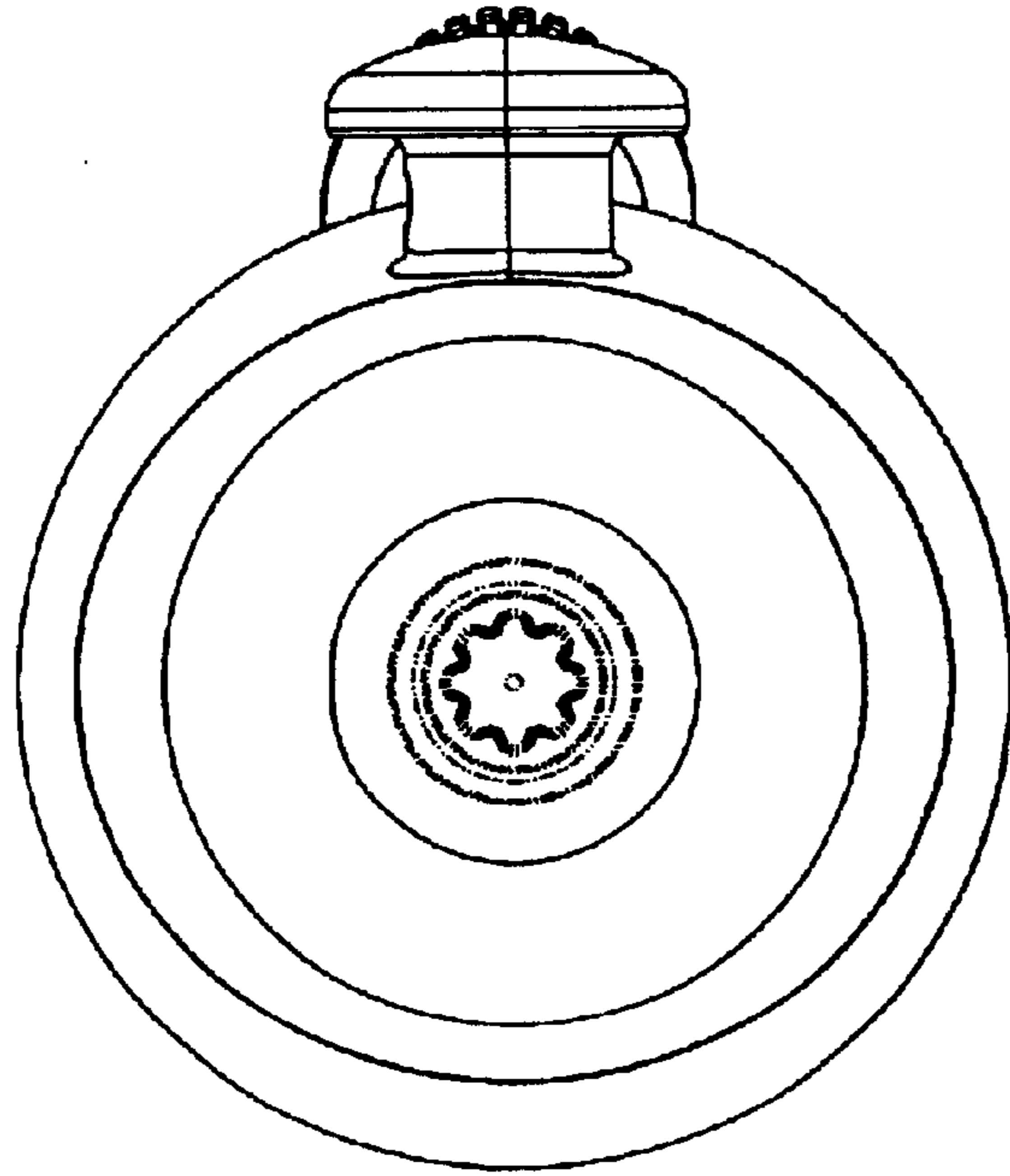


Fig. 5

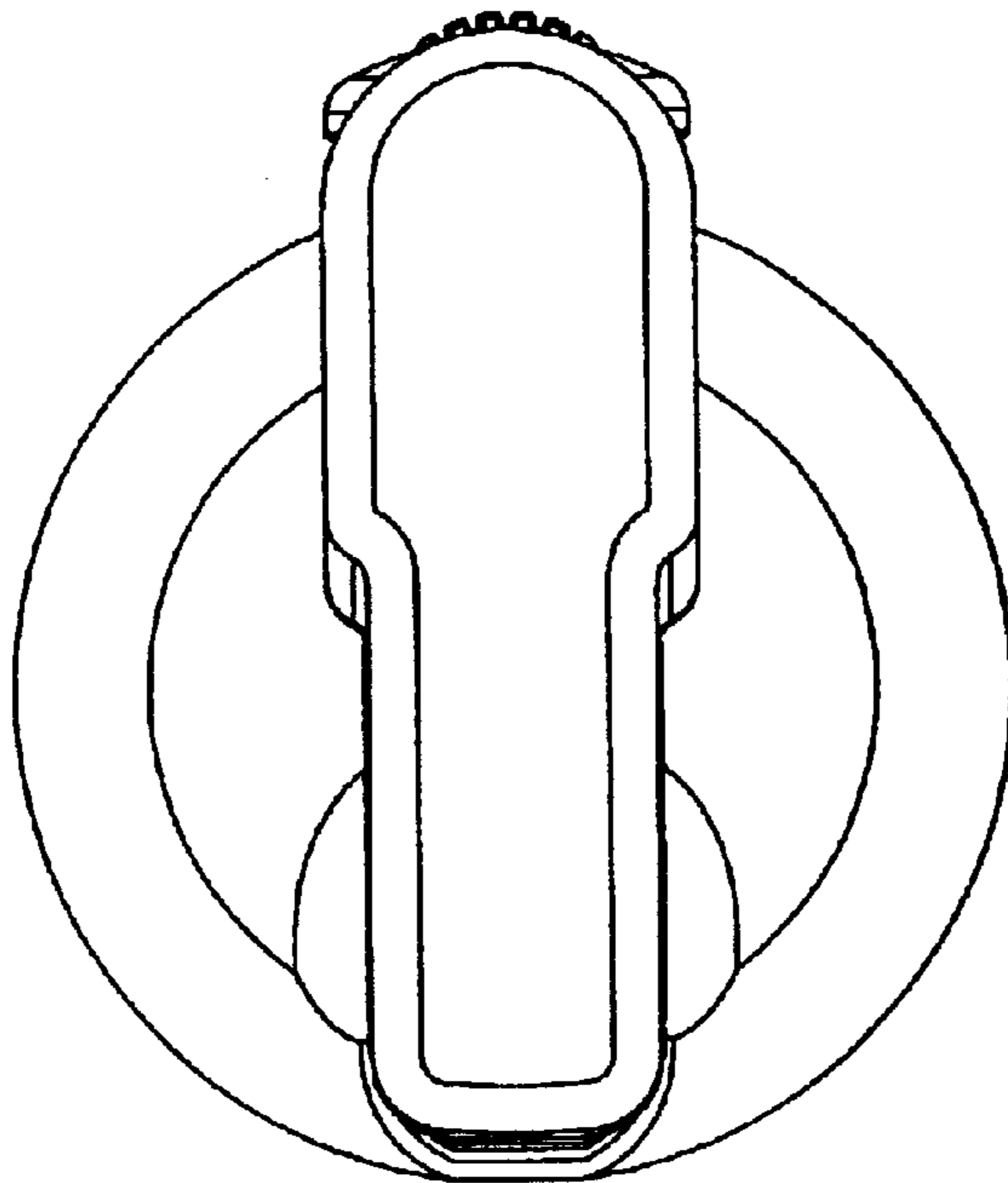


Fig. 6

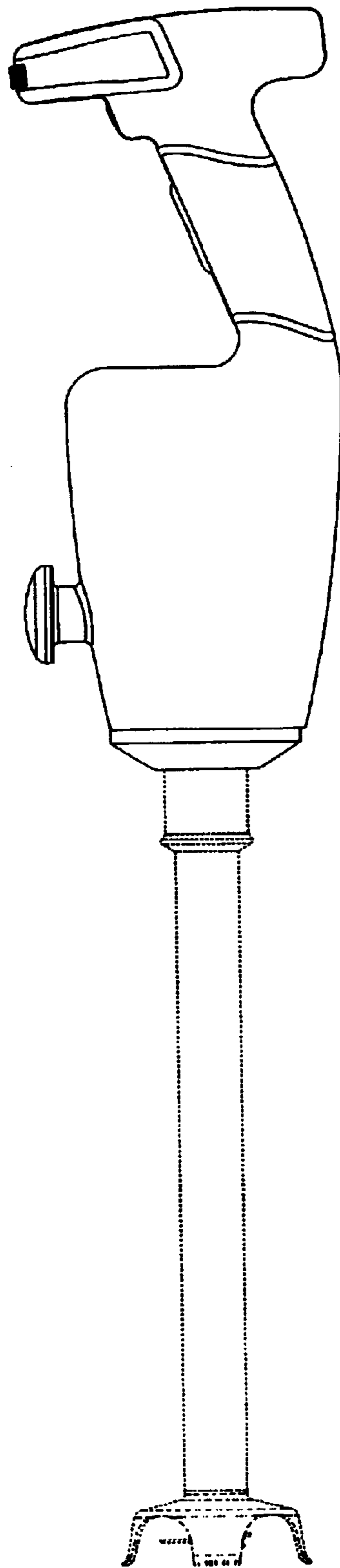


Fig. 7