

US00D494407S1

(12) **United States Design Patent**  
**Lin et al.**

(10) **Patent No.:** **US D494,407 S**  
(45) **Date of Patent:** **\*\* Aug. 17, 2004**

(54) **GRILLER**

(75) Inventors: **Fang-Chuan Lin**, Tainan (TW);  
**Philippe Saltet**, Rue de la Perruche  
(FR)

(73) Assignee: **Tsann Kuen Enterprise Co., Ltd.**,  
Hsin-Chuang (TW)

(\*\*) Term: **14 Years**

(21) Appl. No.: **29/187,642**

(22) Filed: **Aug. 4, 2003**

(51) **LOC (7) Cl.** ..... **07-02**

(52) **U.S. Cl.** ..... **D7/347**

(58) **Field of Search** ..... D7/347, 323-353,  
D7/362; 99/372-379; 219/524-525

(56) **References Cited**

**U.S. PATENT DOCUMENTS**

D462,229 S \* 9/2002 Wu ..... D7/352  
D462,566 S \* 9/2002 Wu ..... D7/352

D464,230 S \* 10/2002 Wu ..... D7/352  
D464,843 S \* 10/2002 Schulte et al. .... D7/337  
D473,417 S \* 4/2003 Martres ..... D7/352  
D475,237 S \* 6/2003 Lin ..... D7/352

\* cited by examiner

*Primary Examiner*—Catherine R. Oliver

(74) *Attorney, Agent, or Firm*—MacPherson Kwok Chen &  
Heid LLP

(57) **CLAIM**

The ornamental design for griller, as shown and described.

**DESCRIPTION**

FIG. 1 is a perspective view of griller showing our new design;

FIG. 2 is a front elevational view thereof;

FIG. 3 is a rear elevational view thereof;

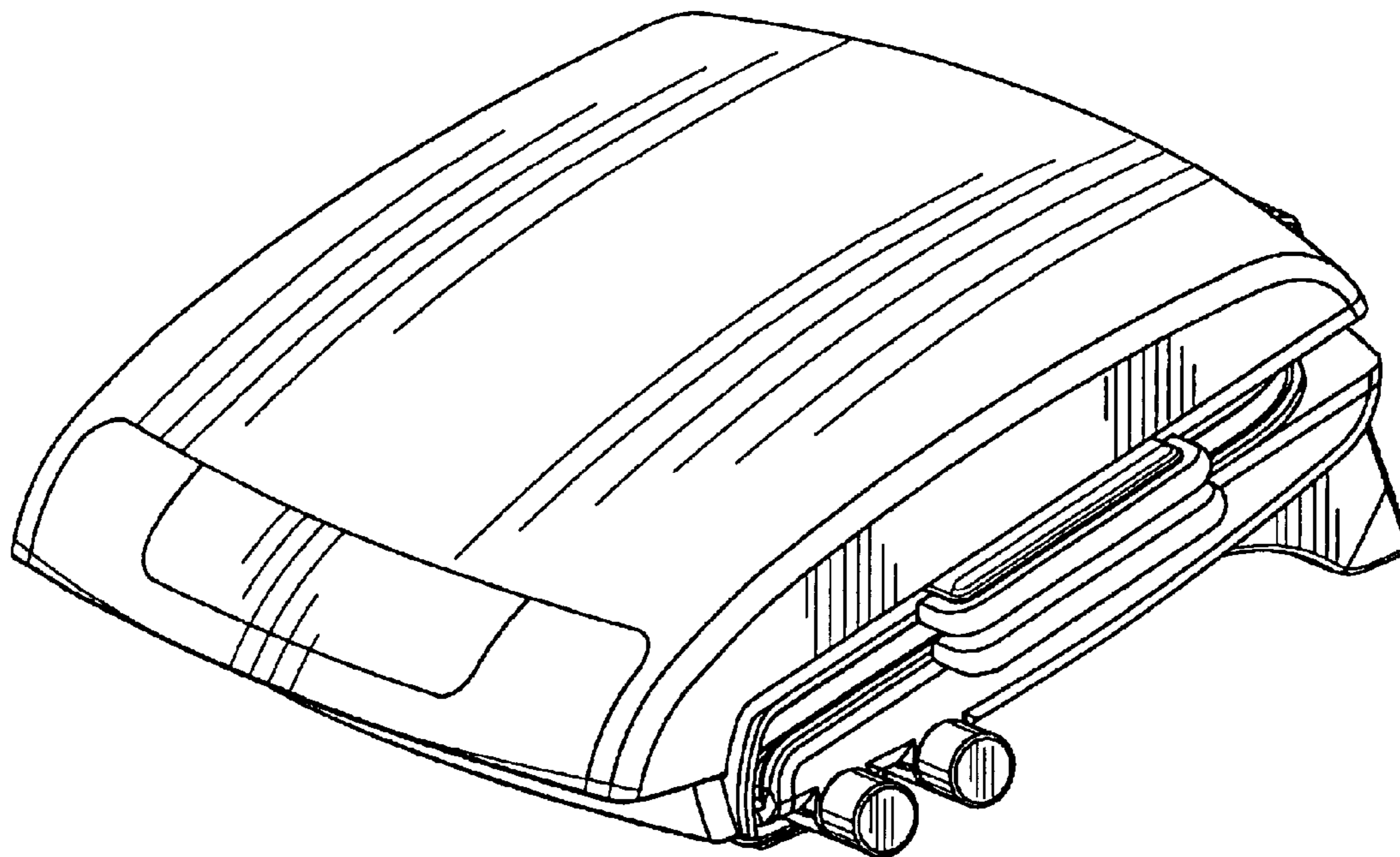
FIG. 4 is a left side elevational view thereof;

FIG. 5 is a right side elevational view thereof;

FIG. 6 is a top plan view thereof; and,

FIG. 7 is a bottom plan view thereof.

**1 Claim, 4 Drawing Sheets**



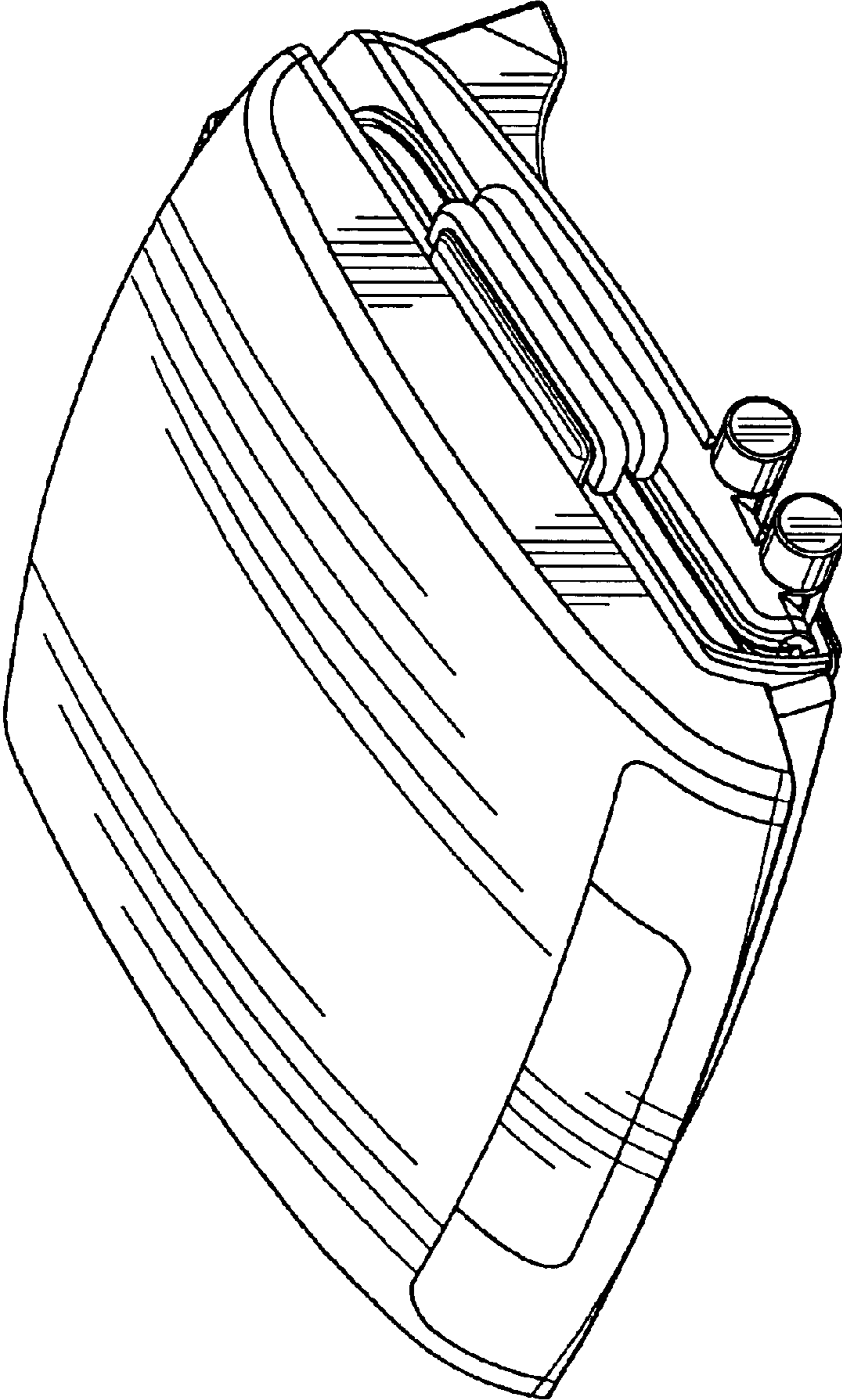


FIG. 1

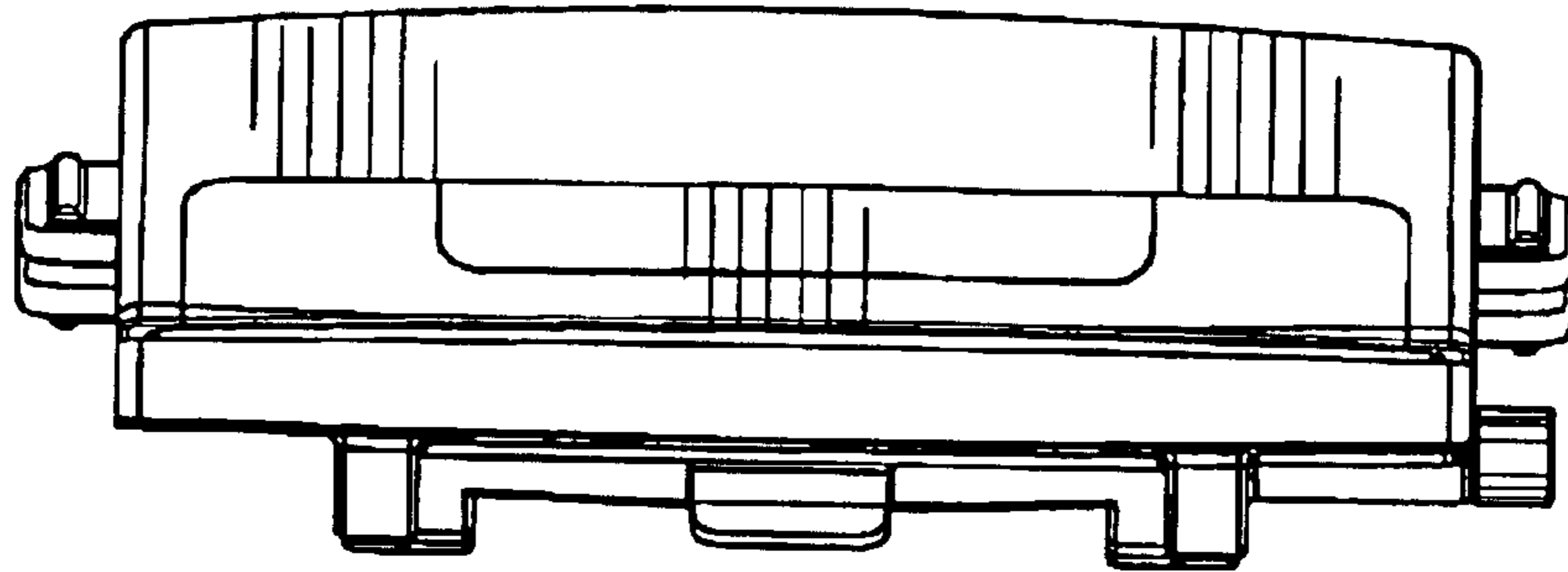


FIG. 2

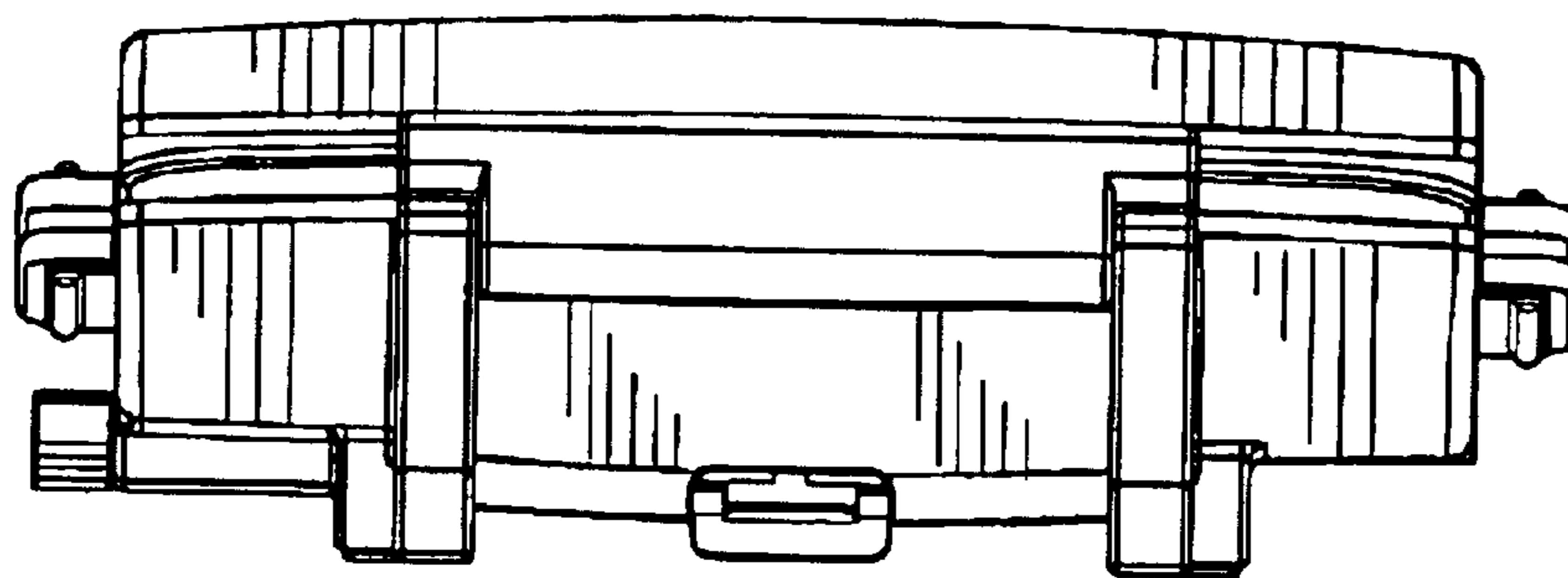


FIG. 3

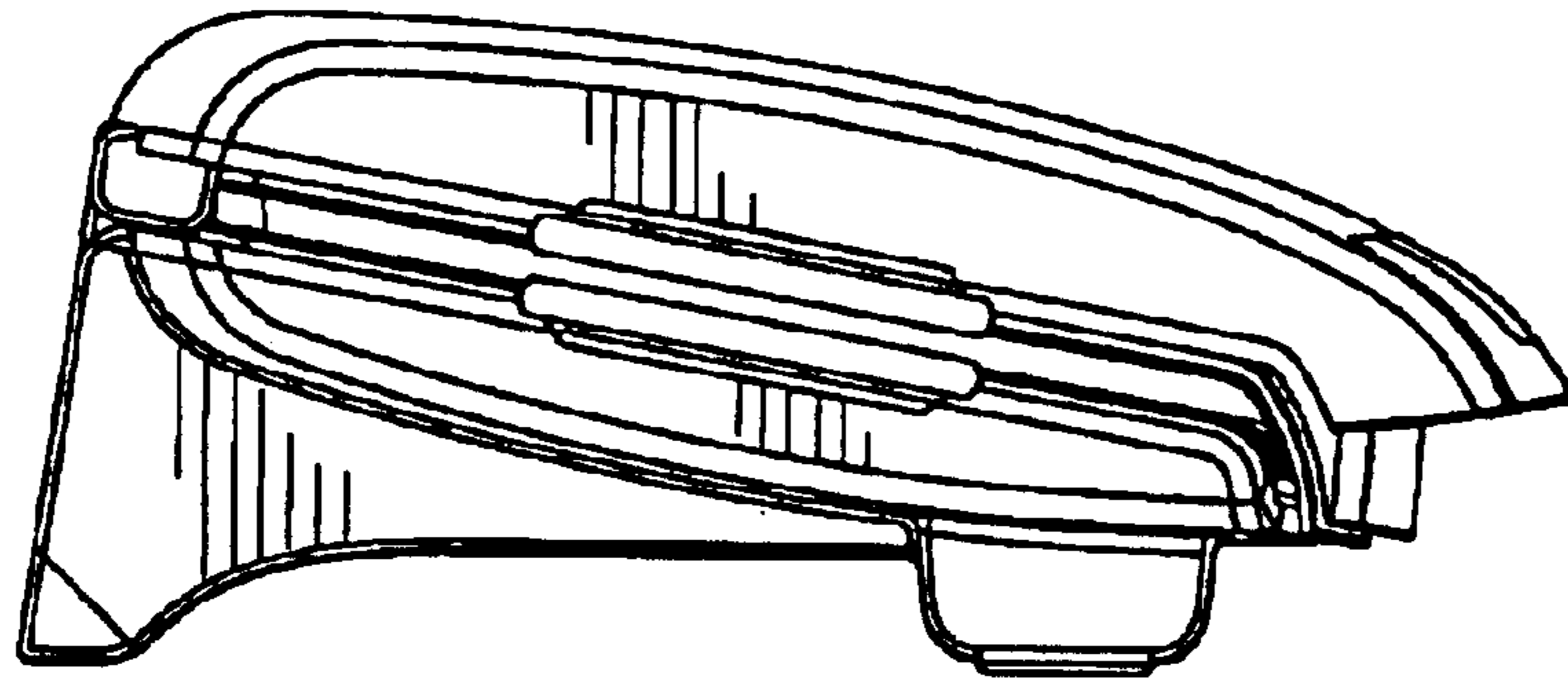


FIG. 4

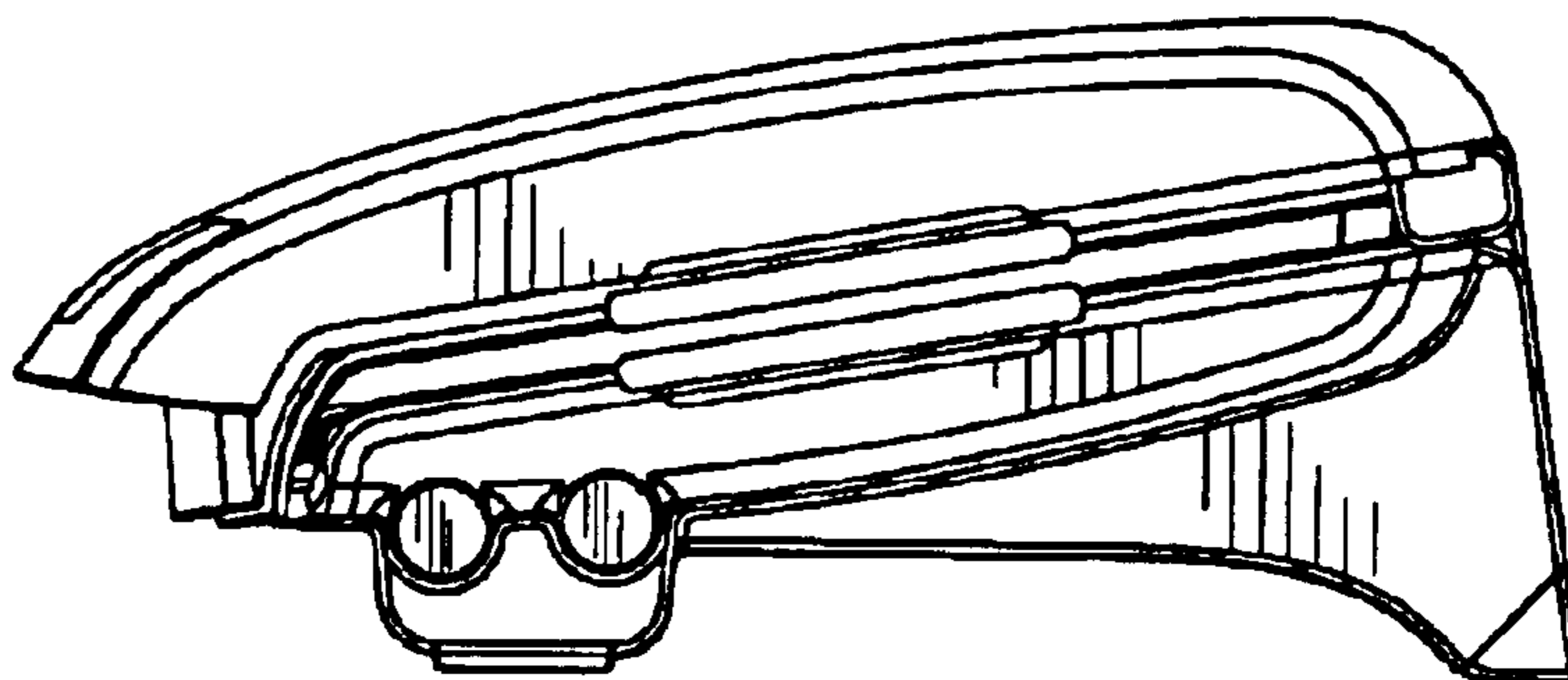


FIG. 5

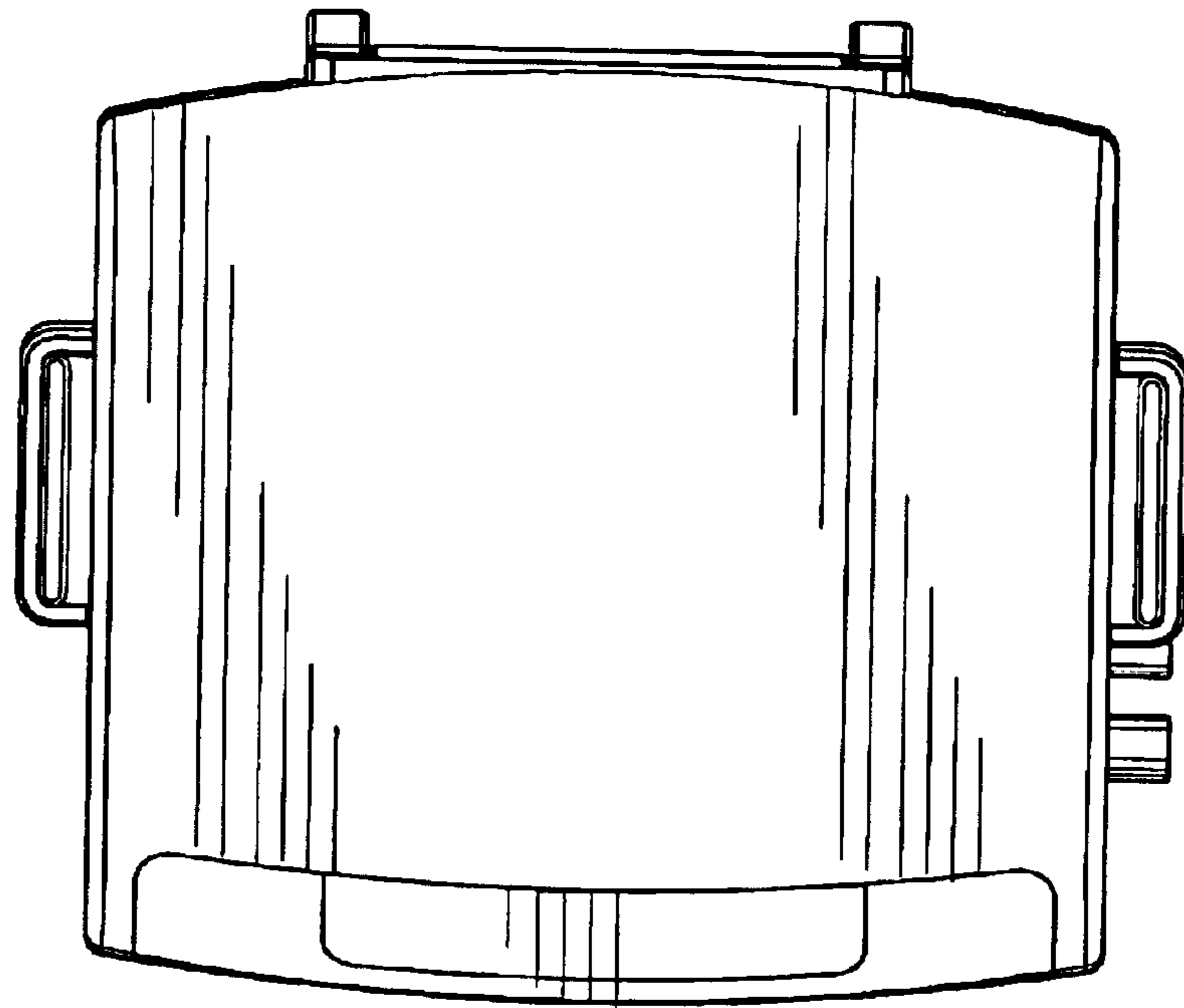


FIG. 6

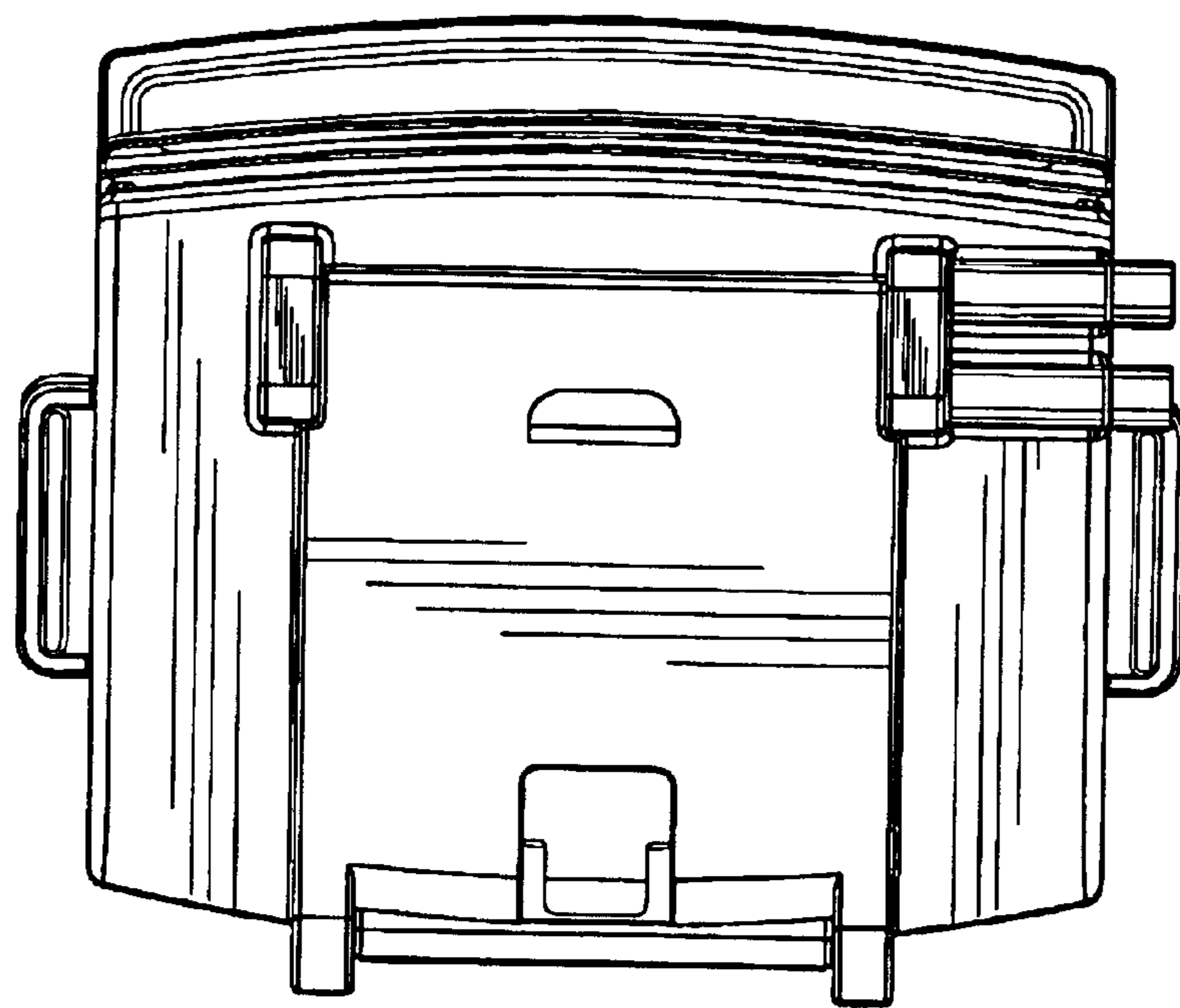


FIG. 7