

US00D494406S1

(12) **United States Design Patent**  
**Zhang**

(10) **Patent No.:** **US D494,406 S**

(45) **Date of Patent:** **\*\* Aug. 17, 2004**

(54) **BARBEQUE GRILL COOKING APPARATUS**

(76) **Inventor:** **S R Zhang**, Block 6, Lakepoint Drive  
#03-38, Singapore (SG), 648925

(\*\*) **Term:** **14 Years**

(21) **Appl. No.:** **29/183,451**

(22) **Filed:** **Jun. 10, 2003**

(51) **LOC (7) Cl.** ..... **07-02**

(52) **U.S. Cl.** ..... **D7/334**

(58) **Field of Search** ..... D7/332-337, 402-405;  
126/25 R, 25 A, 25 AA, 41 R, 50, 9 R;  
99/419, 421 HV

(56) **References Cited**

**U.S. PATENT DOCUMENTS**

- D450,525 S \* 11/2001 Giebel et al. .... D7/334
- D451,751 S \* 12/2001 Stewart et al. .... D7/334
- D464,524 S \* 10/2002 Pai ..... D7/334
- D466,358 S \* 12/2002 Eisinger et al. .... D7/334

- D474,063 S \* 5/2003 Eisinger et al. .... D7/334
- D478,464 S \* 8/2003 Pai ..... D7/334
- D480,595 S \* 10/2003 Pai ..... D7/334

\* cited by examiner

*Primary Examiner*—Ruth McInroy

(74) *Attorney, Agent, or Firm*—Leonard Tachner

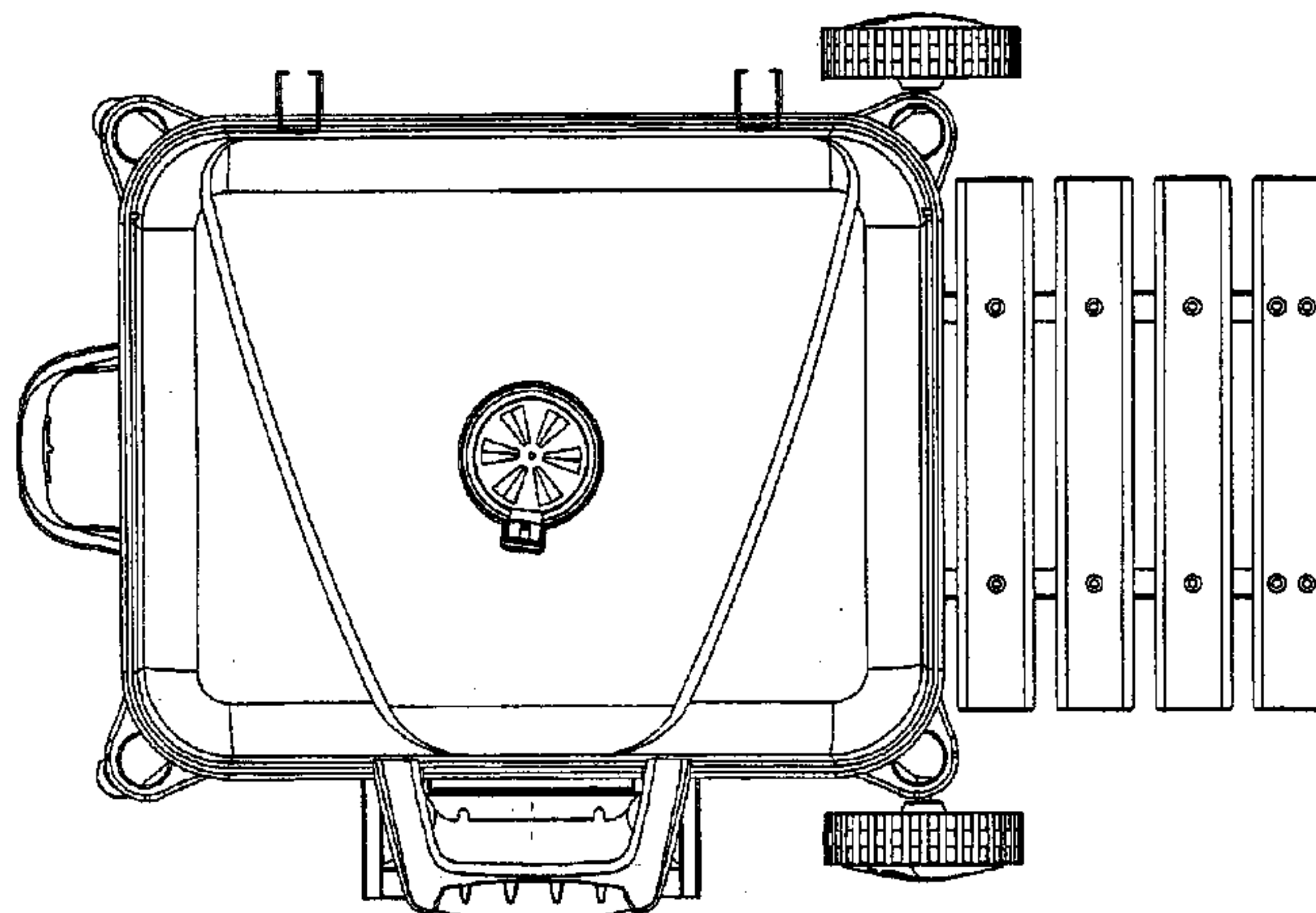
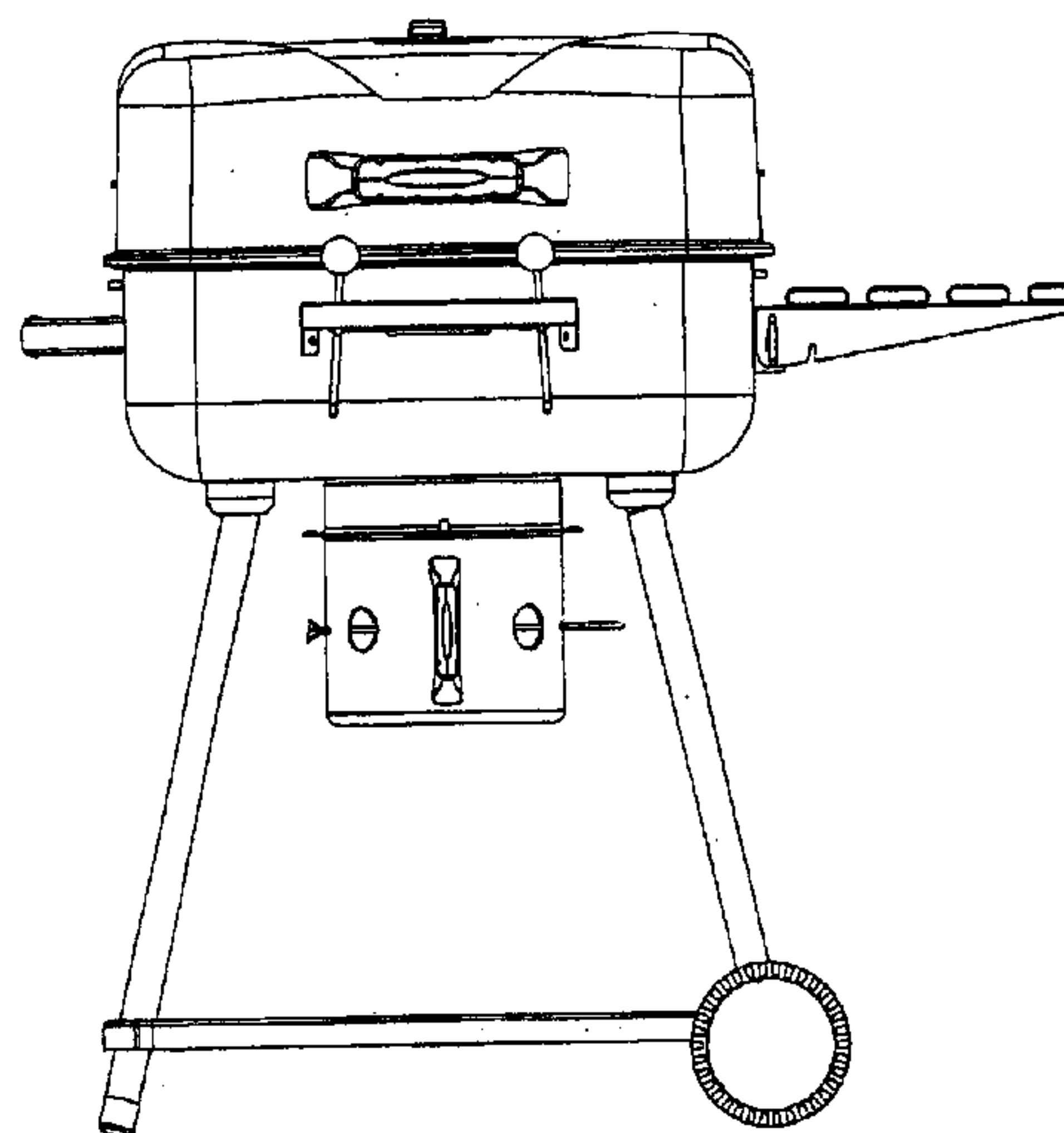
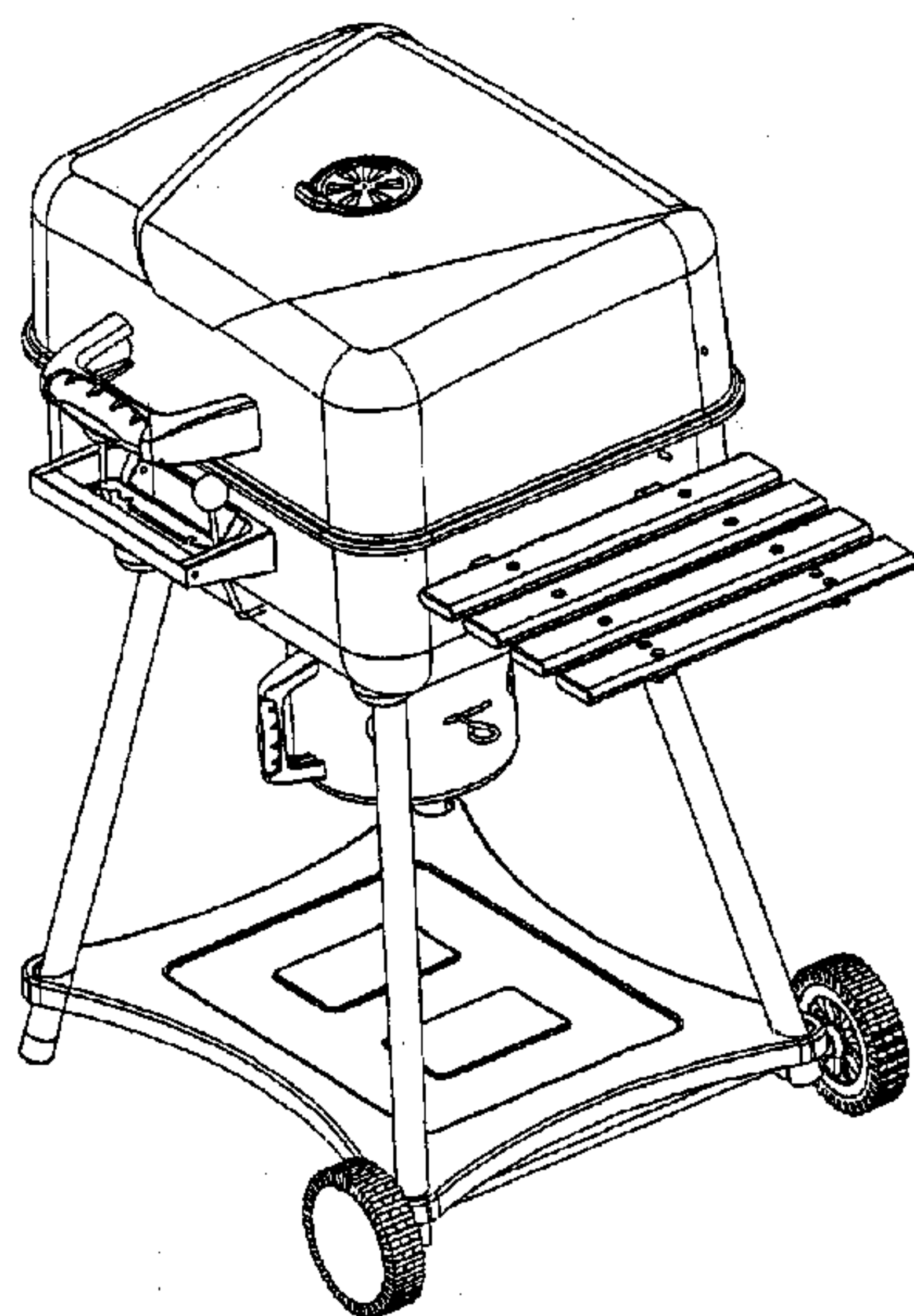
(57) **CLAIM**

The ornamental design for a barbeque grill cooking apparatus, as shown and described.

**DESCRIPTION**

FIG. 1 is a perspective view of a barbeque grill cooking apparatus showing my new design;  
 FIG. 2 is a top view thereof;  
 FIG. 3 is a bottom view thereof;  
 FIG. 4 is a right side view thereof;  
 FIG. 5 is a left side view thereof;  
 FIG. 6 is a front view thereof; and,  
 FIG. 7 is a rear view thereof.

**1 Claim, 7 Drawing Sheets**



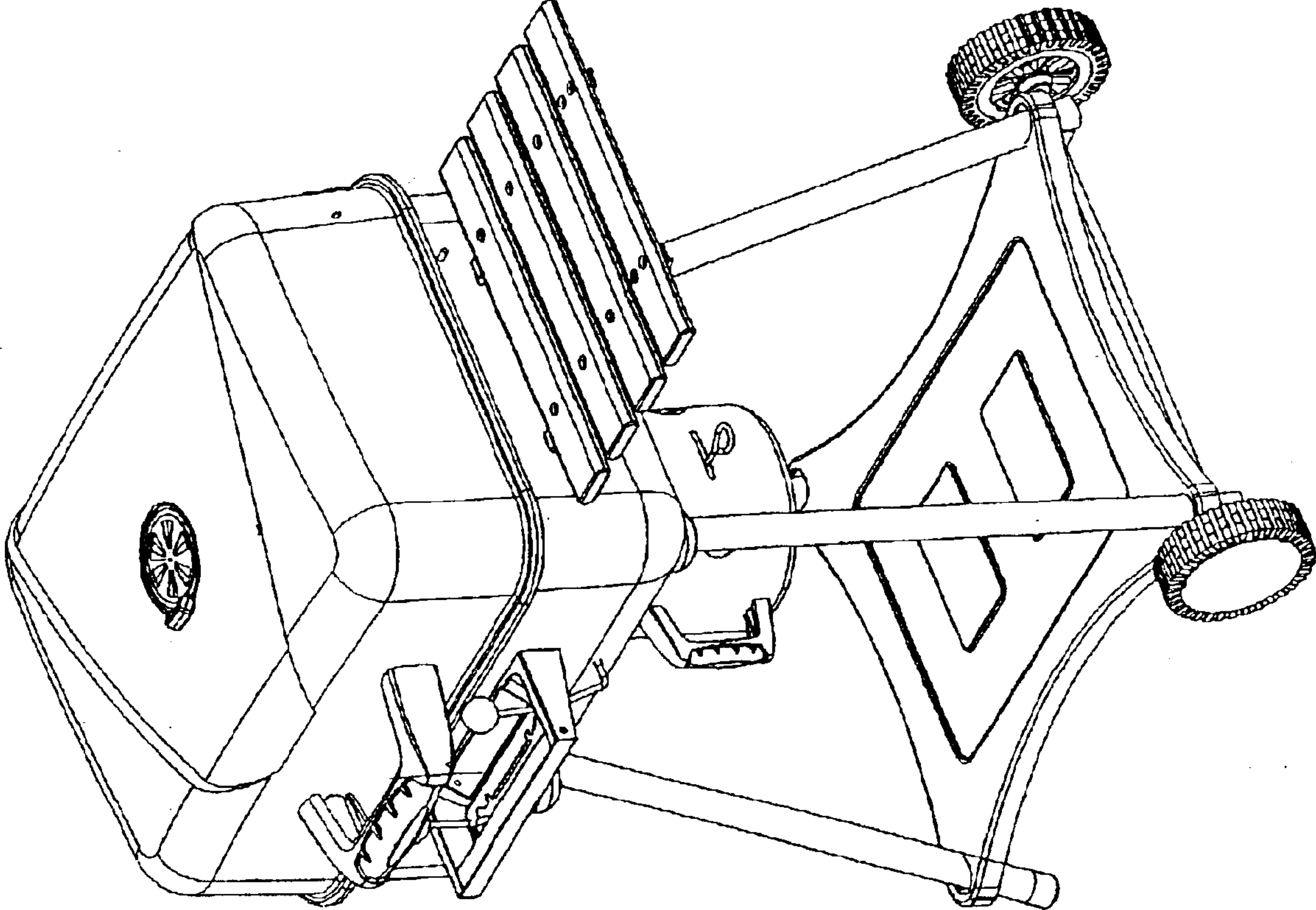


FIG. 1

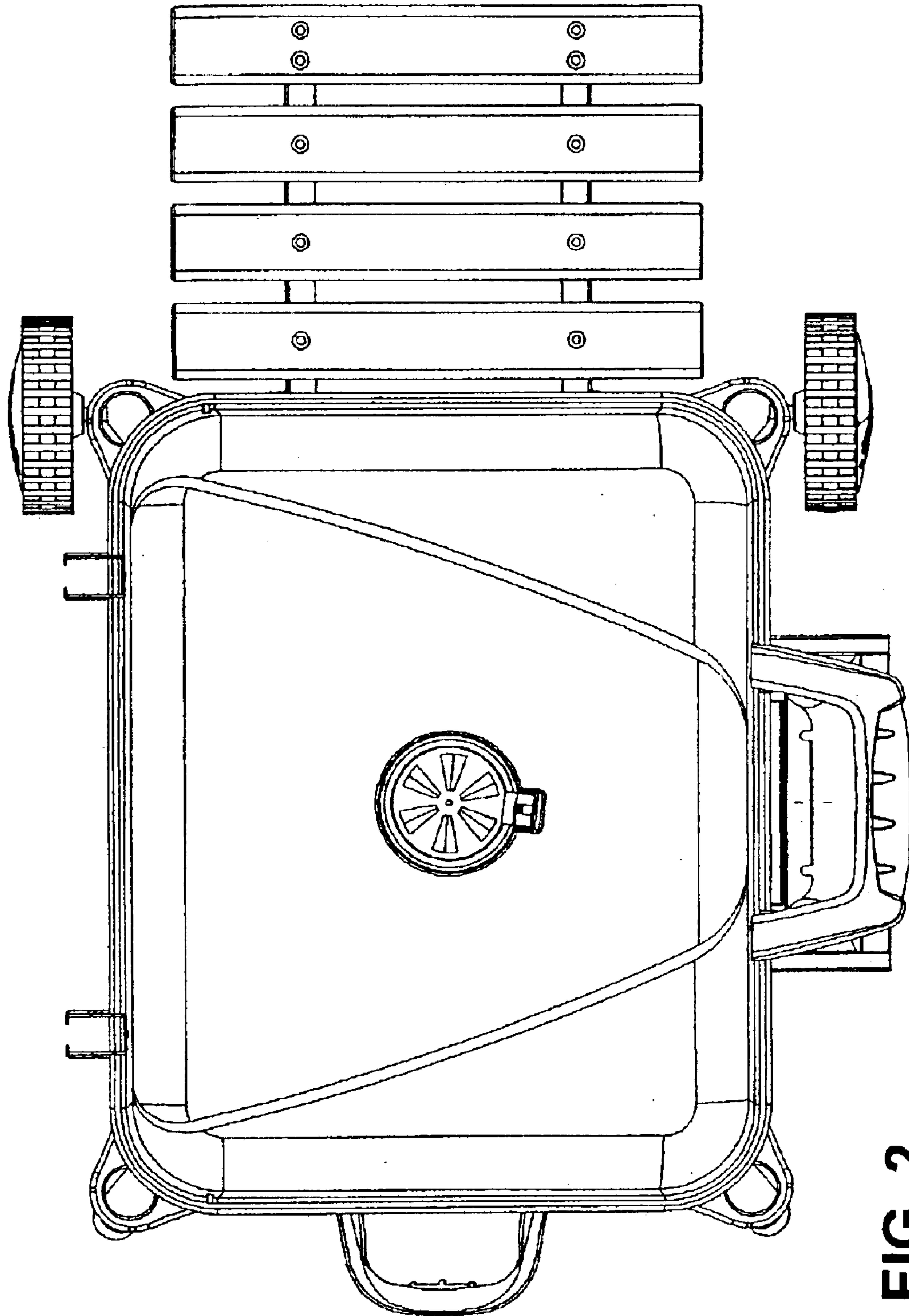


FIG. 2

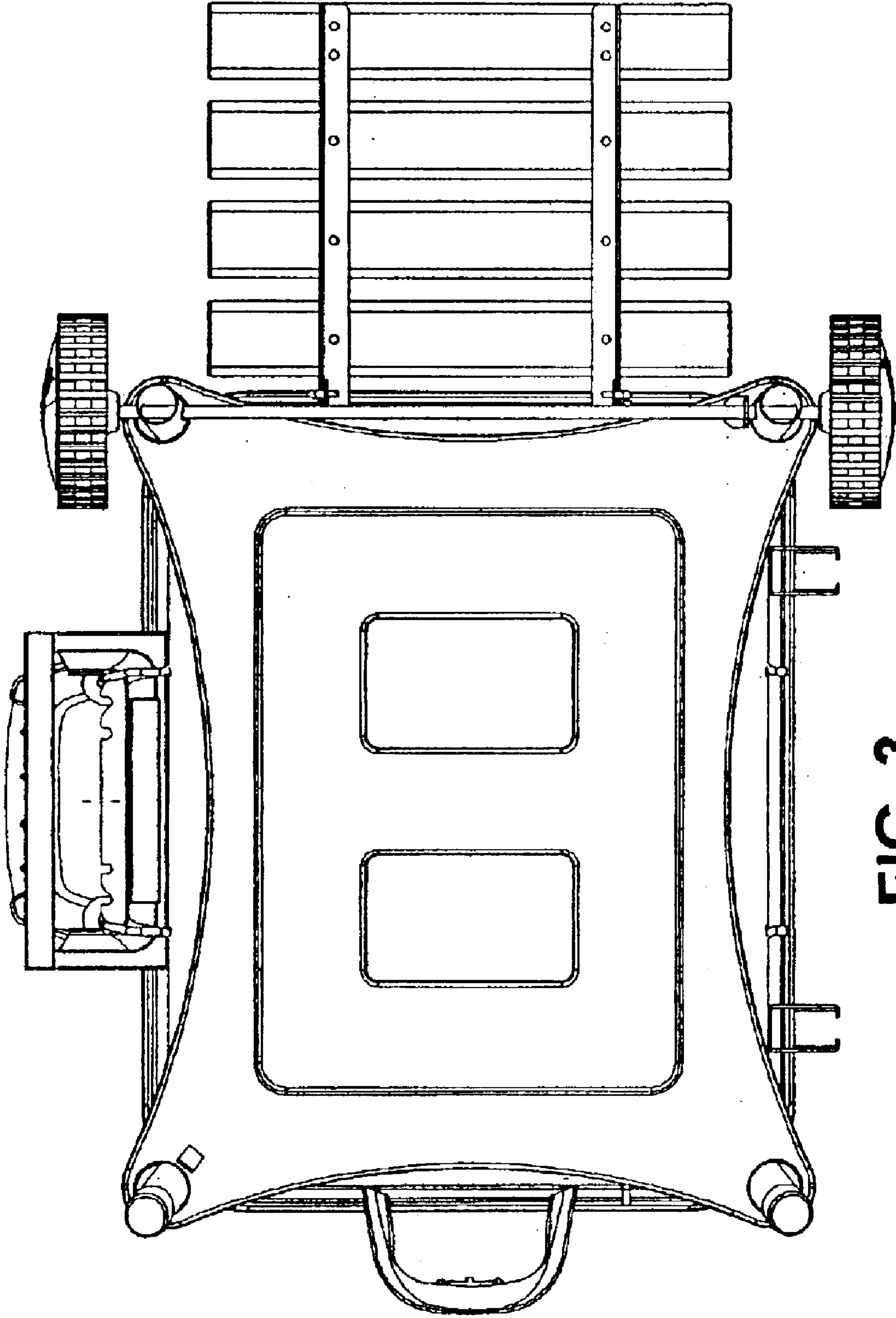


FIG. 3



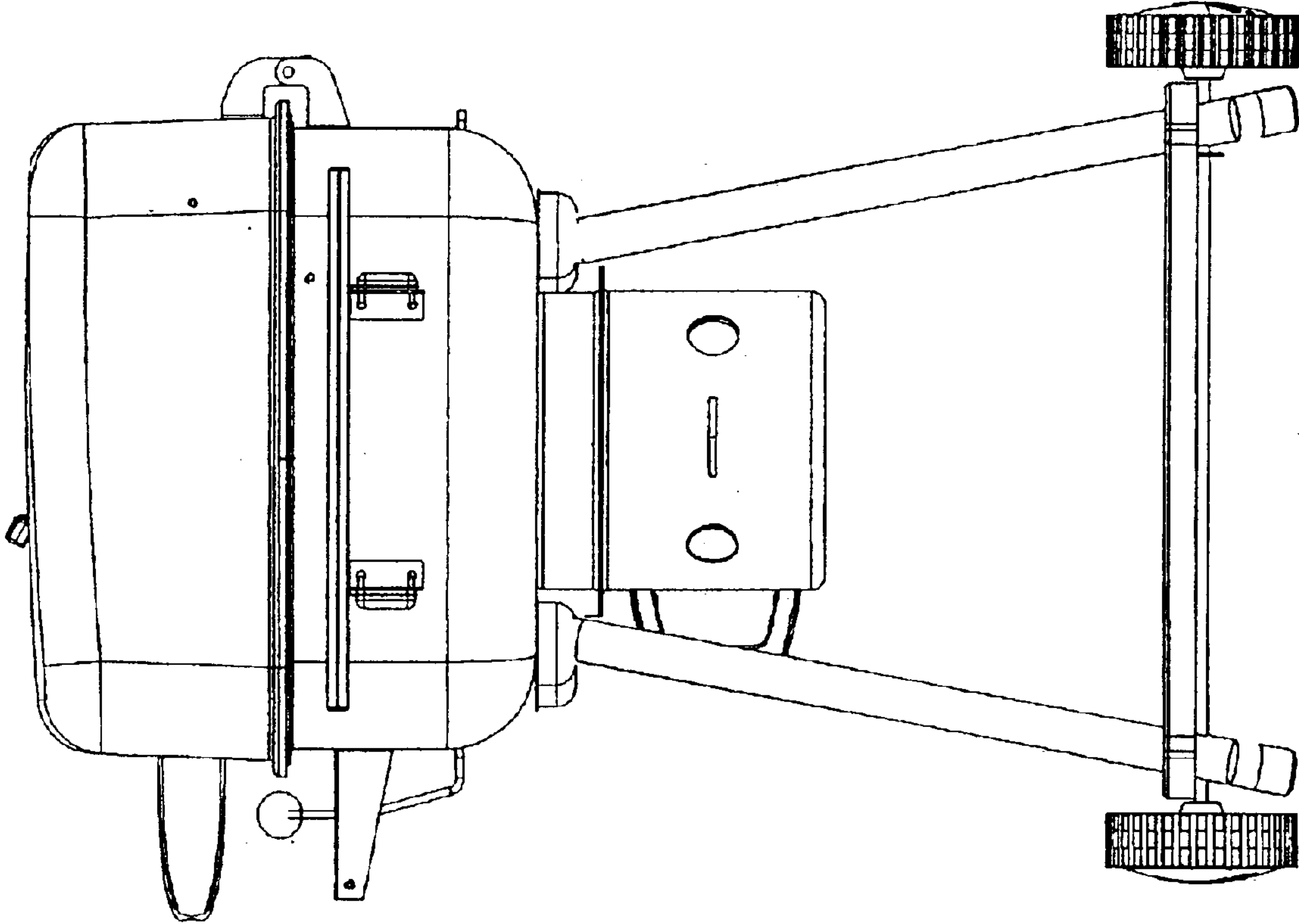


FIG. 4

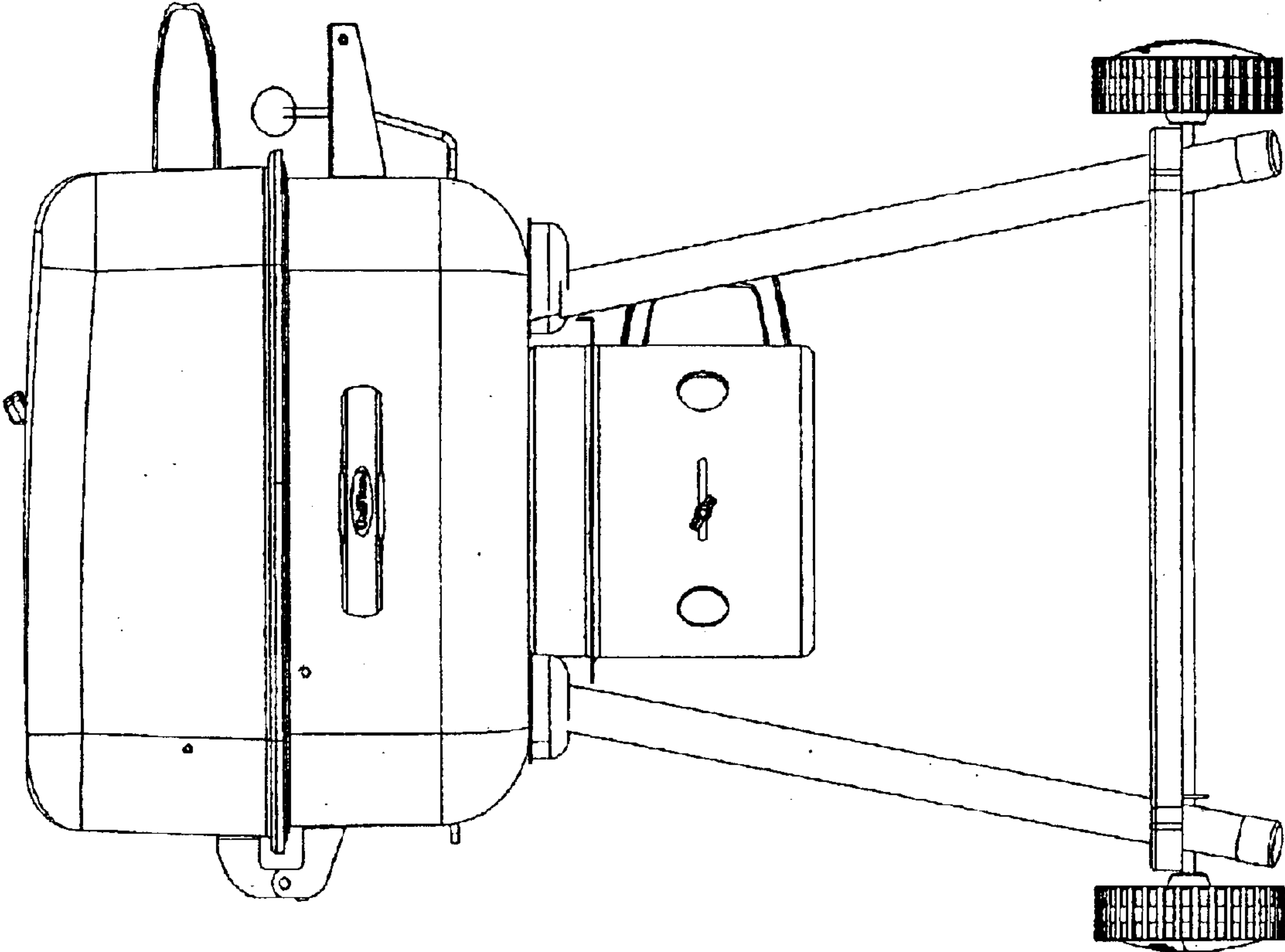


FIG. 5

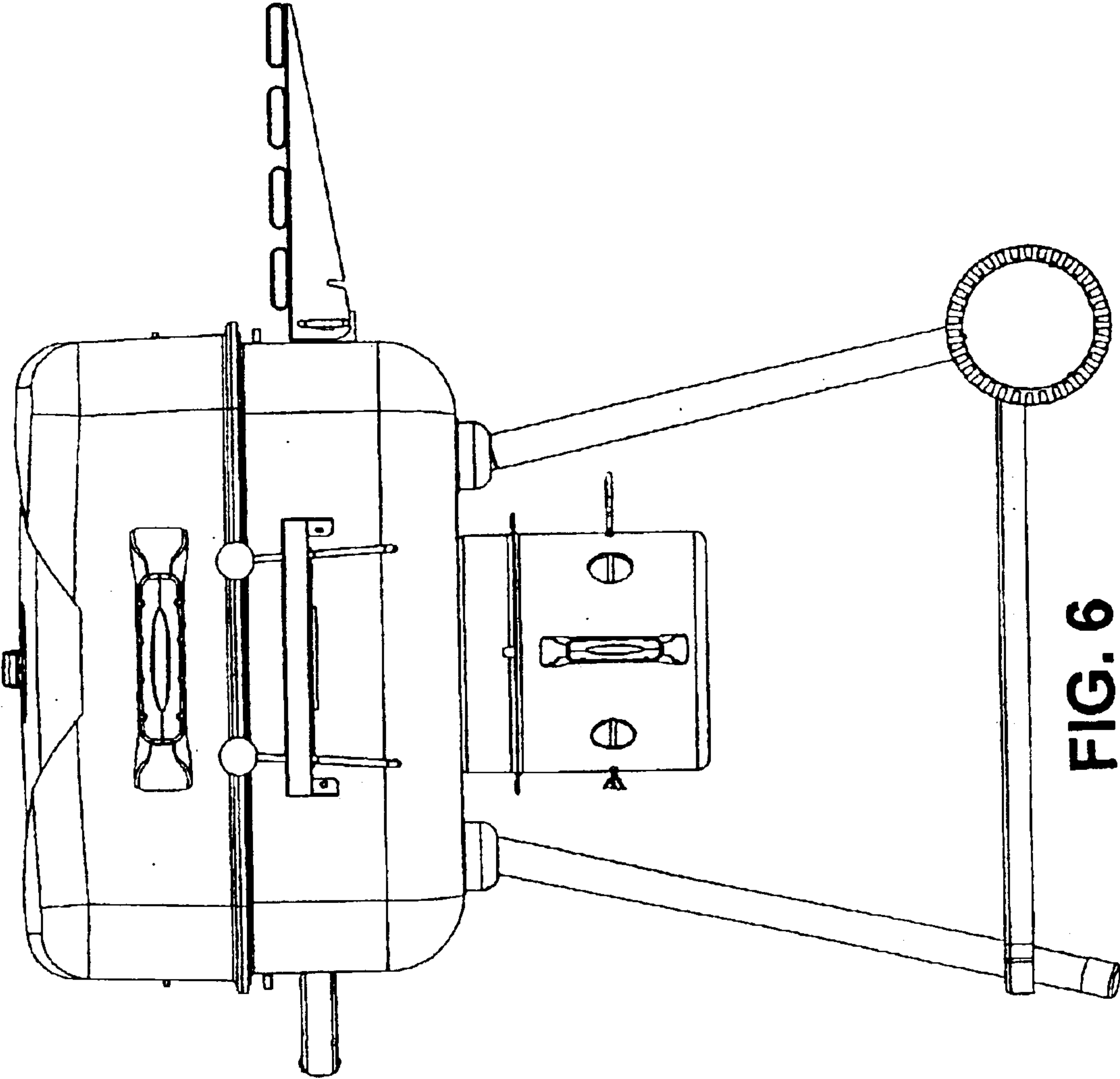


FIG. 6

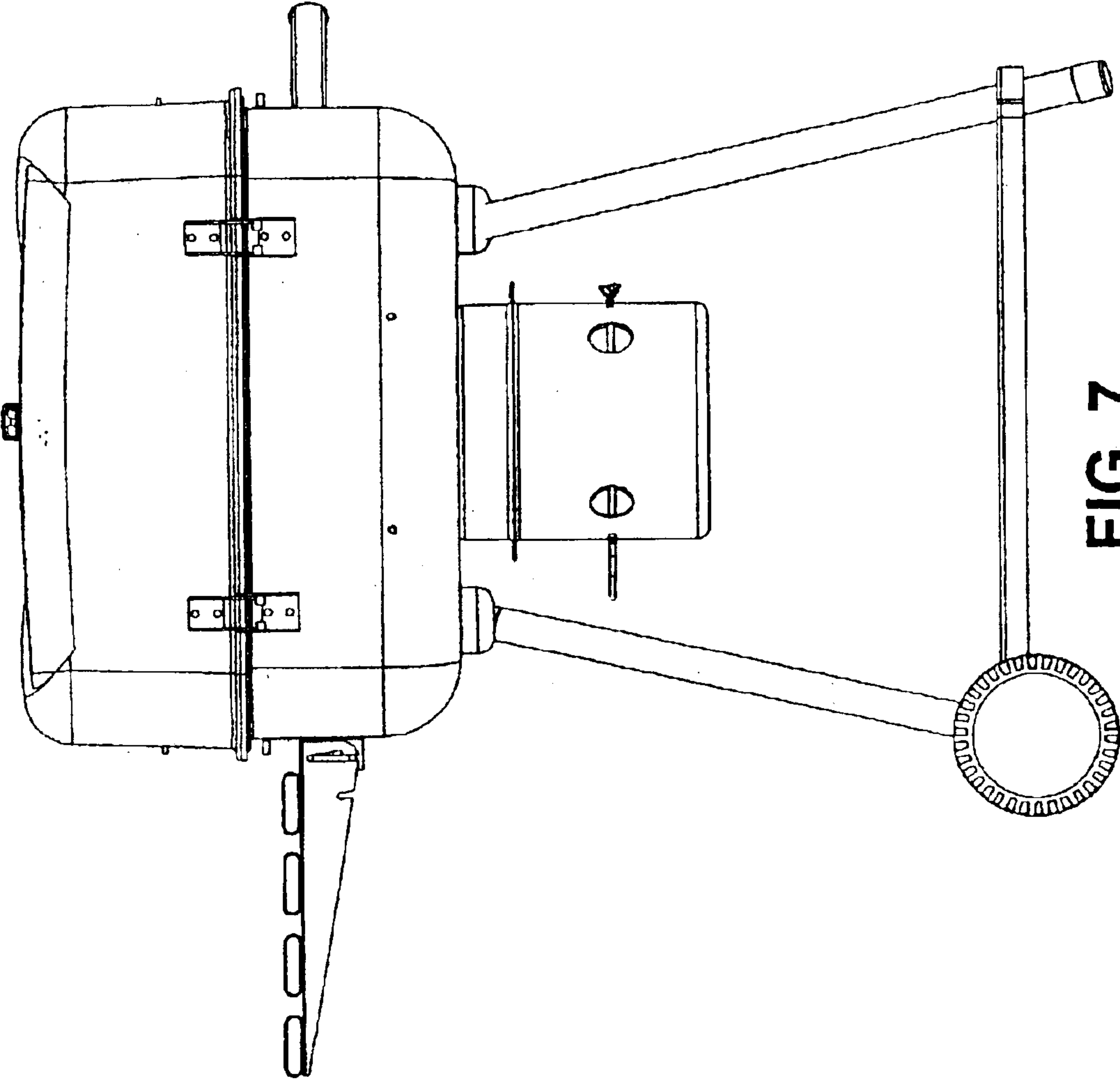


FIG. 7