



US00D494405S1

(12) **United States Design Patent**
Nandra et al.

(10) **Patent No.:** **US D494,405 S**
(45) **Date of Patent:** **** Aug. 17, 2004**

(54) **TEA BREWING MACHINE**

(75) Inventors: **Charanjit Singh Nandra**, London
(GB); **Miles Pennington**, Teddington
(GB)

(73) Assignee: **Unilever Bestoods, North American,**
division of Conopco, Inc., Englewood
Cliffs, NJ (US)

(**) Term: **14 Years**

(21) Appl. No.: **29/178,466**

(22) Filed: **Mar. 26, 2003**

(30) **Foreign Application Priority Data**

Sep. 27, 2002 (GB) 3007357

(51) **LOC (7) Cl.** **07-01**

(52) **U.S. Cl.** **D7/309; D7/311**

(58) **Field of Search** D7/309, 310, 311,
D7/300, 306; 99/295, 305, 306, 384, 293;
141/82, 160

(56) **References Cited**

U.S. PATENT DOCUMENTS

D174,468 S * 4/1955 Radaelli D7/309
3,023,790 A * 3/1962 Zarruba 141/82

D417,358 S * 12/1999 Dutruel D7/309
D450,520 S * 11/2001 Saltet D7/309
D471,753 S * 3/2003 Hsu D7/309
D475,567 S * 6/2003 Hsu D7/309

FOREIGN PATENT DOCUMENTS

GB 2097697 6/2001
WO 02/43540 6/2002

* cited by examiner

Primary Examiner—M. N. Pandozzi

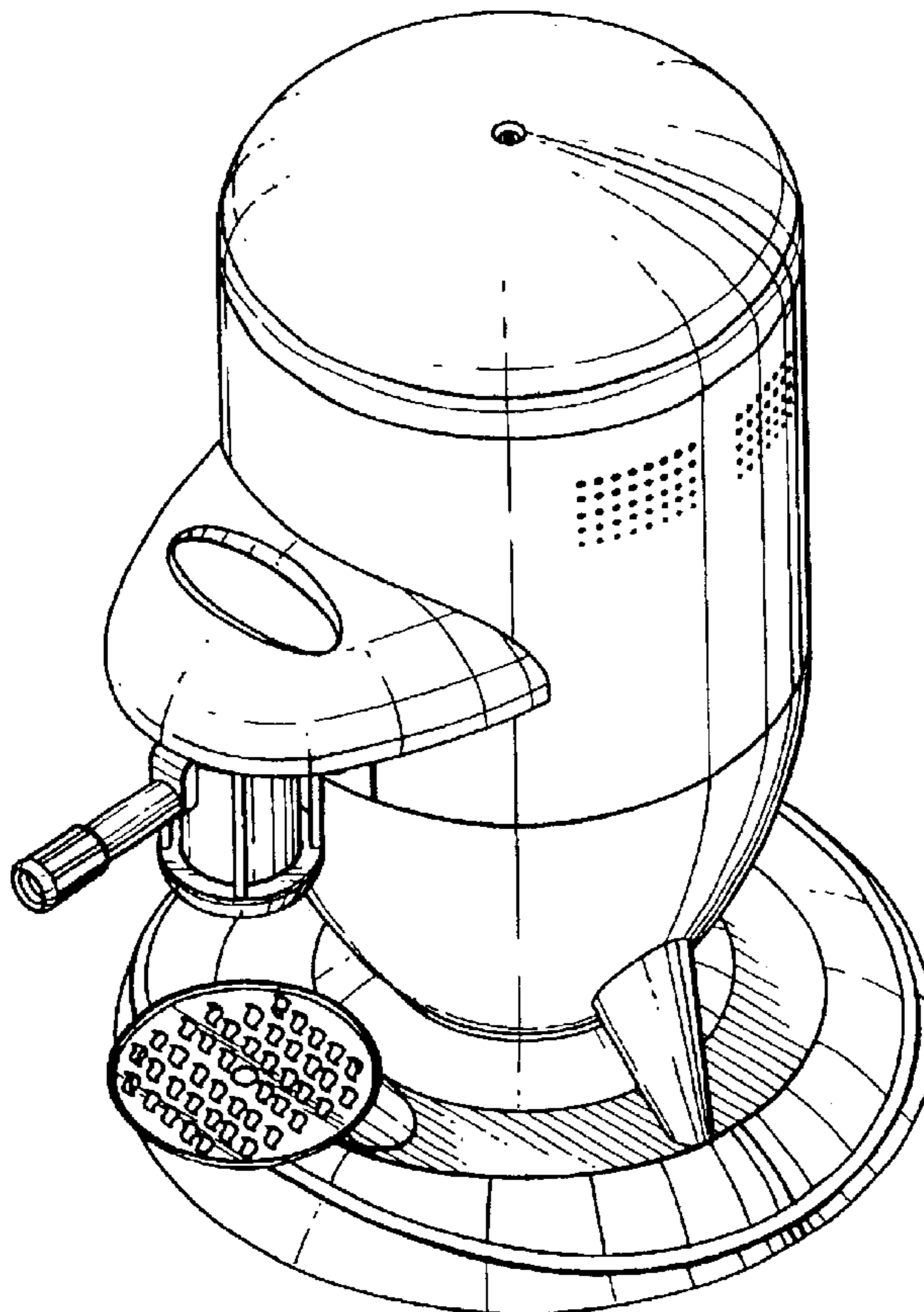
(57) **CLAIM**

An ornamental design for a tea brewing machine, as shown and described.

DESCRIPTION

FIG. 1 is a perspective view from above and one side of a tea brewing machine in accordance with my new design, FIG. 2 is a front view of a tea brewing machine in accordance with our new design, FIG. 3 is a rear view of a tea brewing machine in accordance with our new design. FIG. 4 is a view from one side of a tea brewing machine in accordance with our new design; and, FIG. 5 is a view from the other side of a tea brewing machine in accordance with our new design.

1 Claim, 5 Drawing Sheets



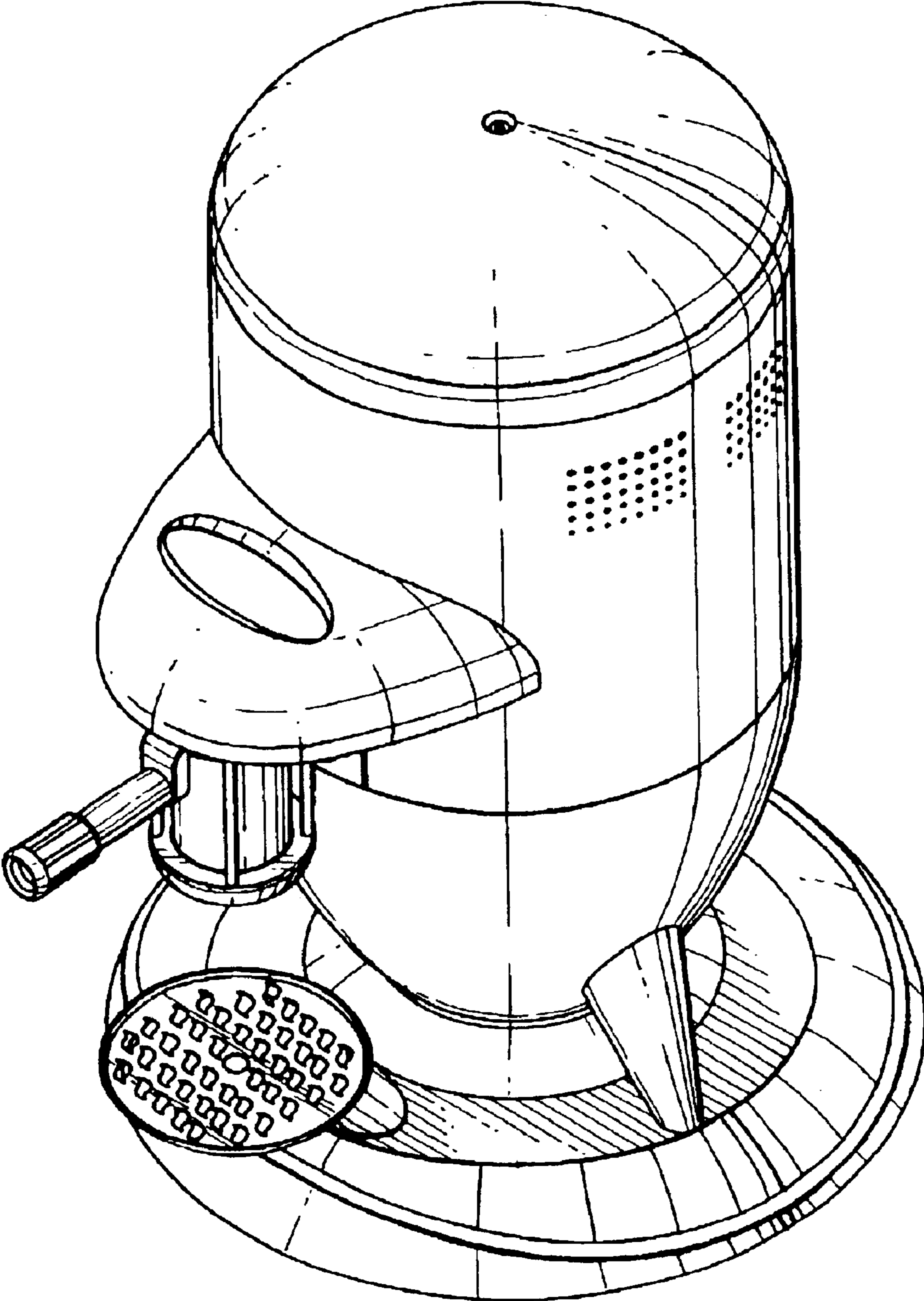


Fig. 1.

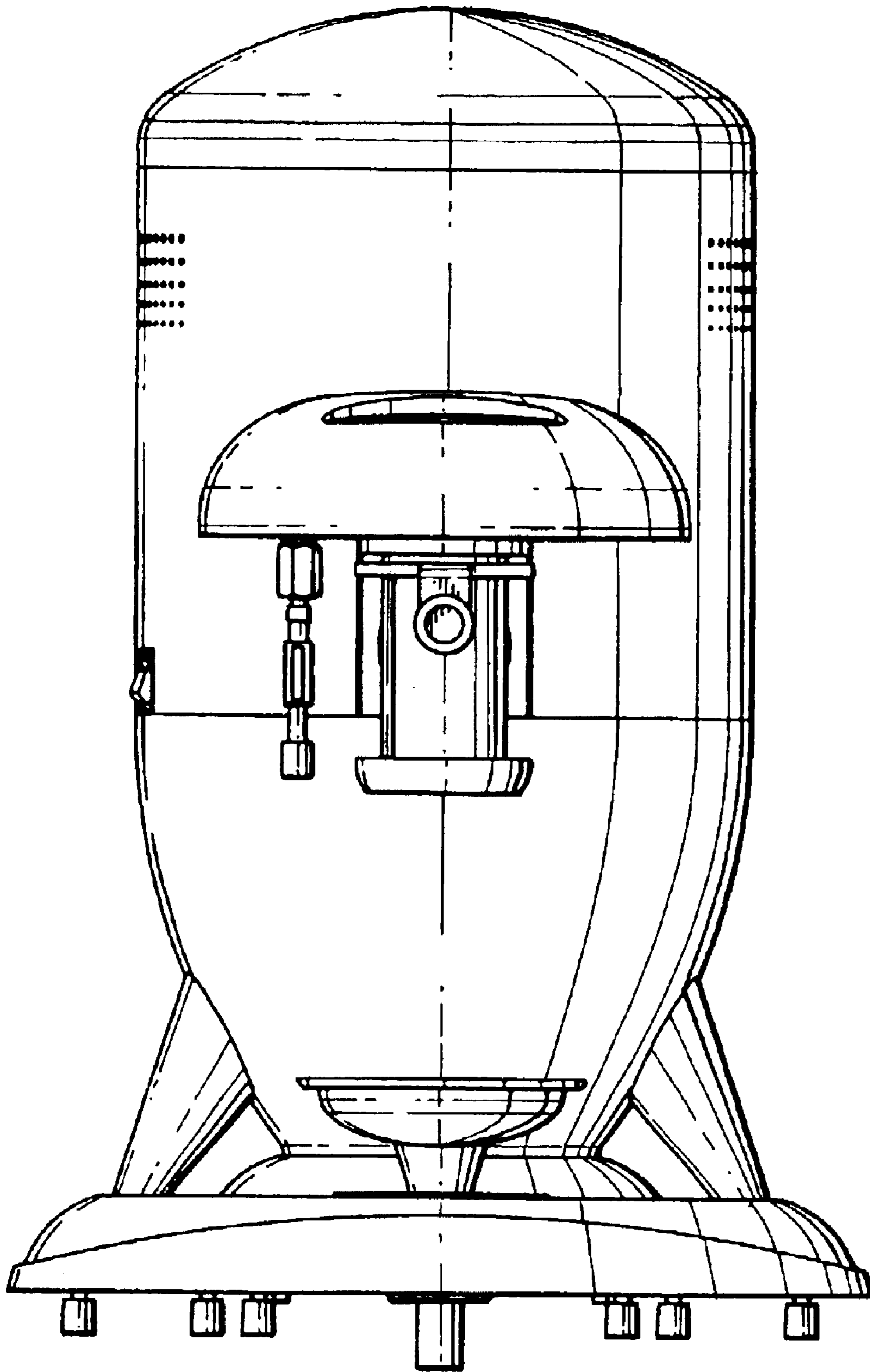


Fig.2.

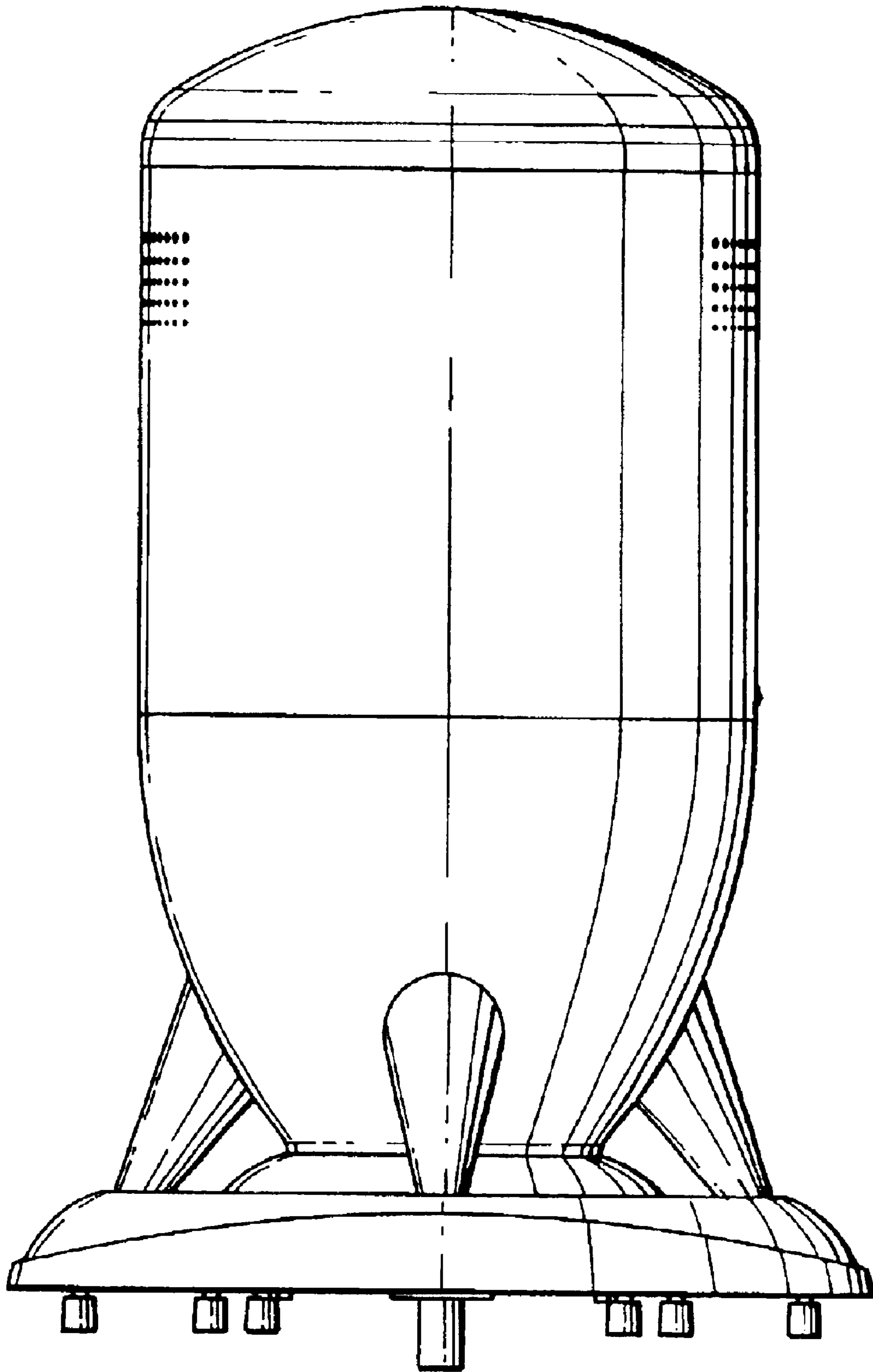


Fig.3.

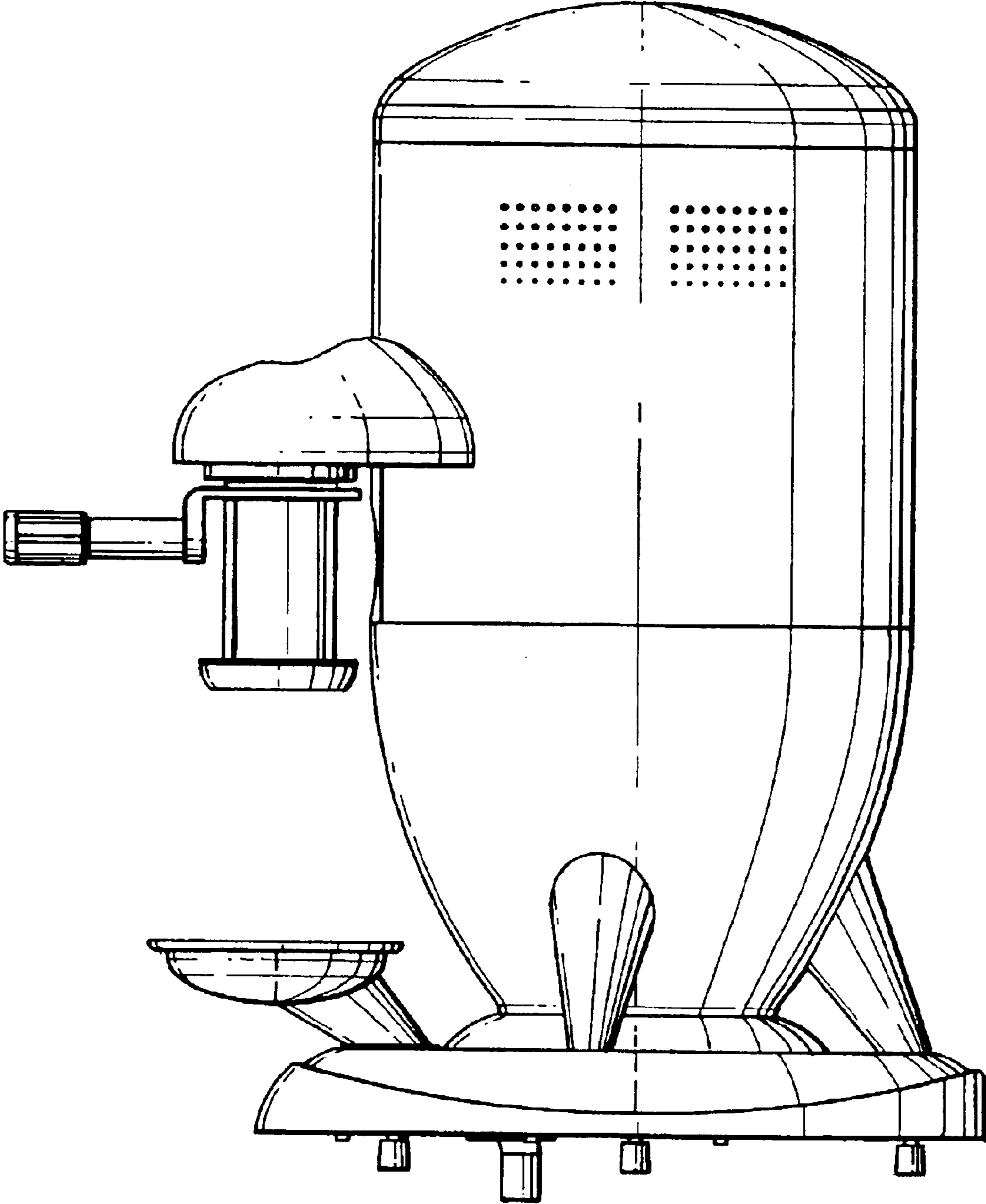


Fig.4.

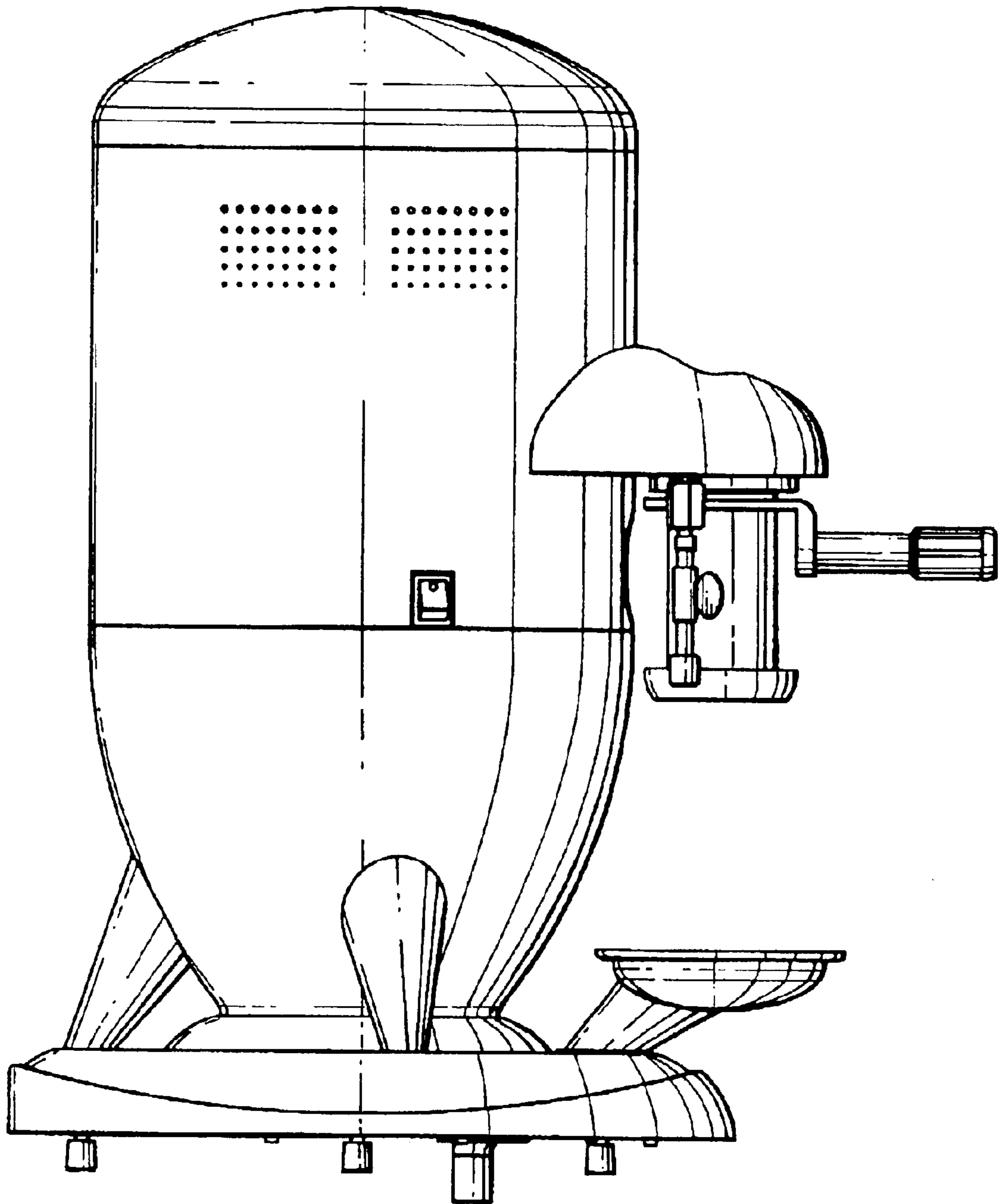


Fig.5.