

US00D494401S1

(12) **United States Design Patent**
Davies et al.

(10) **Patent No.: US D494,401 S**

(45) **Date of Patent: ** Aug. 17, 2004**

(54) **HOUSING FOR ROLL SCREEN**

(56) **References Cited**

(75) **Inventors: Sean James Davies, Vaughan (CA);
Shaul Goldenberg, Vaughan (CA);
Sinnathamby Kupenthirarajan,
Vaughan (CA)**

U.S. PATENT DOCUMENTS

5,351,739 A * 10/1994 Levy 160/124
6,186,212 B1 * 2/2001 Tsuchida 160/84.06
D447,901 S * 9/2001 Horsten D6/580

(73) **Assignee: 420820 Ontario Limited, Vaughan
(CA)**

* cited by examiner

(**) **Term: 14 Years**

Primary Examiner—Robin V. Taylor

(74) *Attorney, Agent, or Firm*—Neil H. Hughes; Ivor M. Hughes; Marcelo K. Sarkis

(21) **Appl. No.: 29/188,361**

(57) **CLAIM**

(22) **Filed: Aug. 19, 2003**

The ornamental design for a housing for roll screen, as shown and described.

Related U.S. Application Data

DESCRIPTION

(62) Division of application No. 09/741,348, filed on Dec. 21, 2000, now Pat. No. 6,655,444.

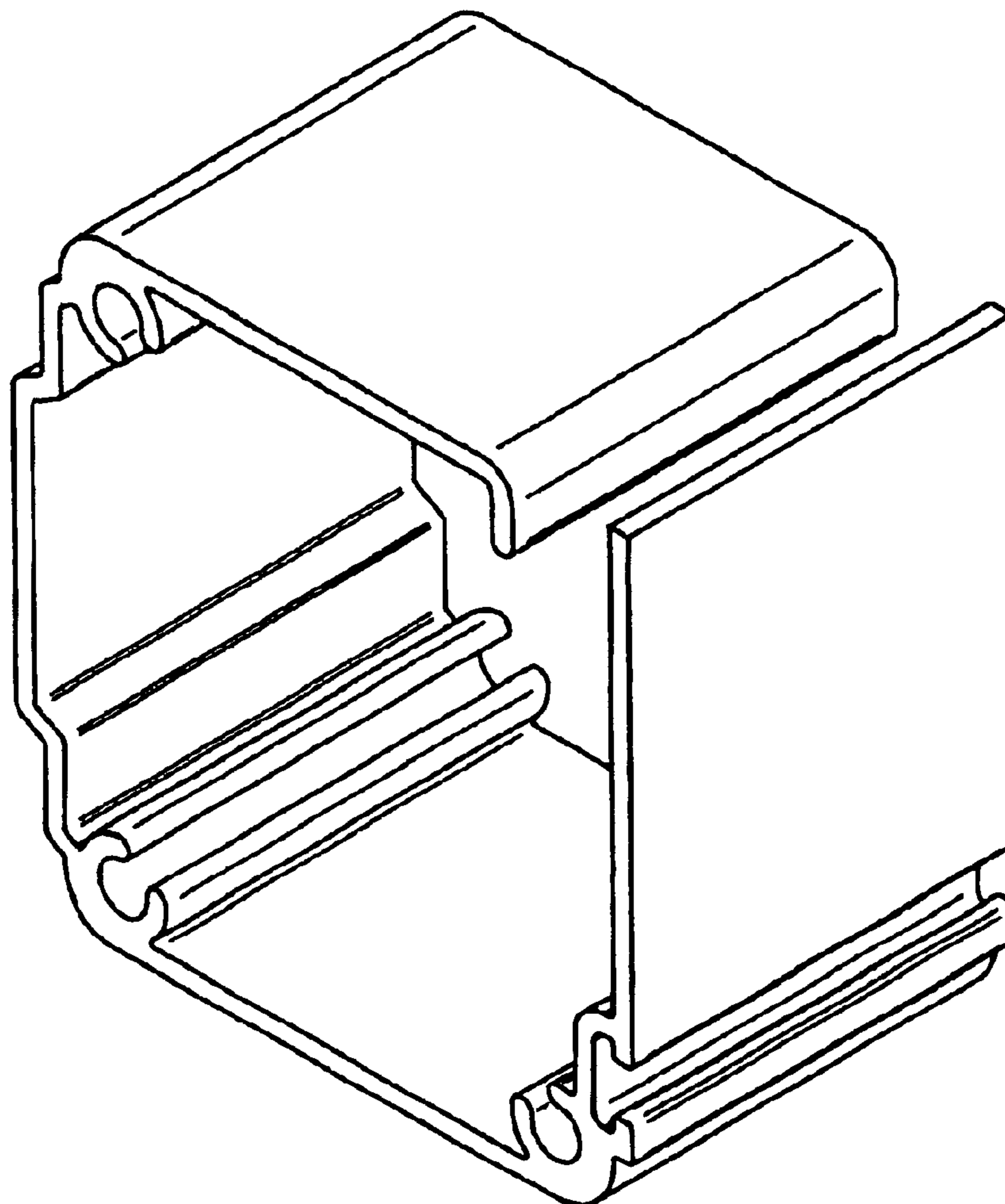
FIG. 1 is a perspective view of the housing embodying the design; and,
FIG. 2 is a front view of the housing of FIG. 1.

(51) **LOC (7) Cl. 06-10**

(52) **U.S. Cl. D6/580**

(58) **Field of Search D6/575, 580; 160/405,
160/DIG. 6, 238, 239, 240, 250**

1 Claim, 2 Drawing Sheets



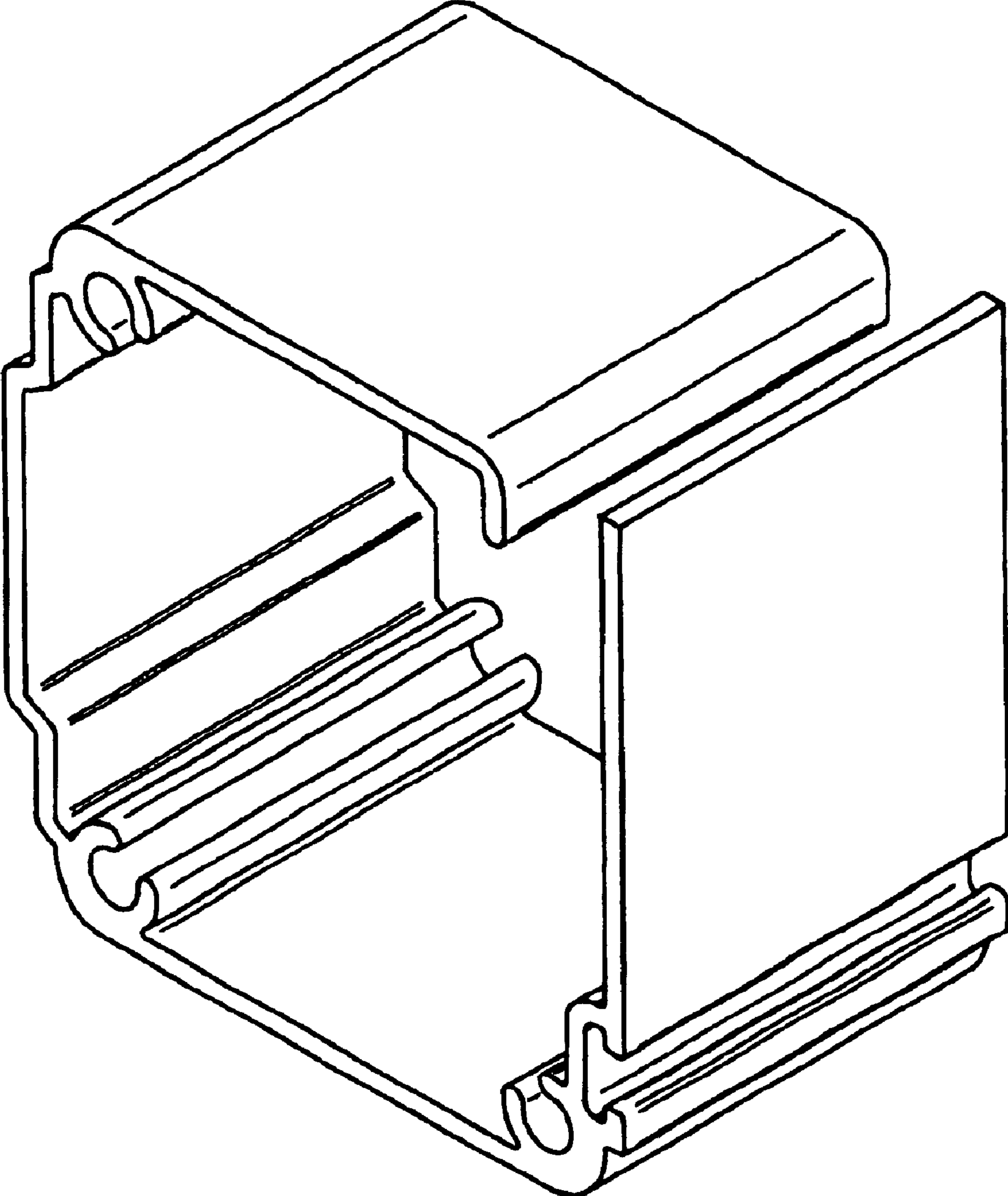


FIGURE 1

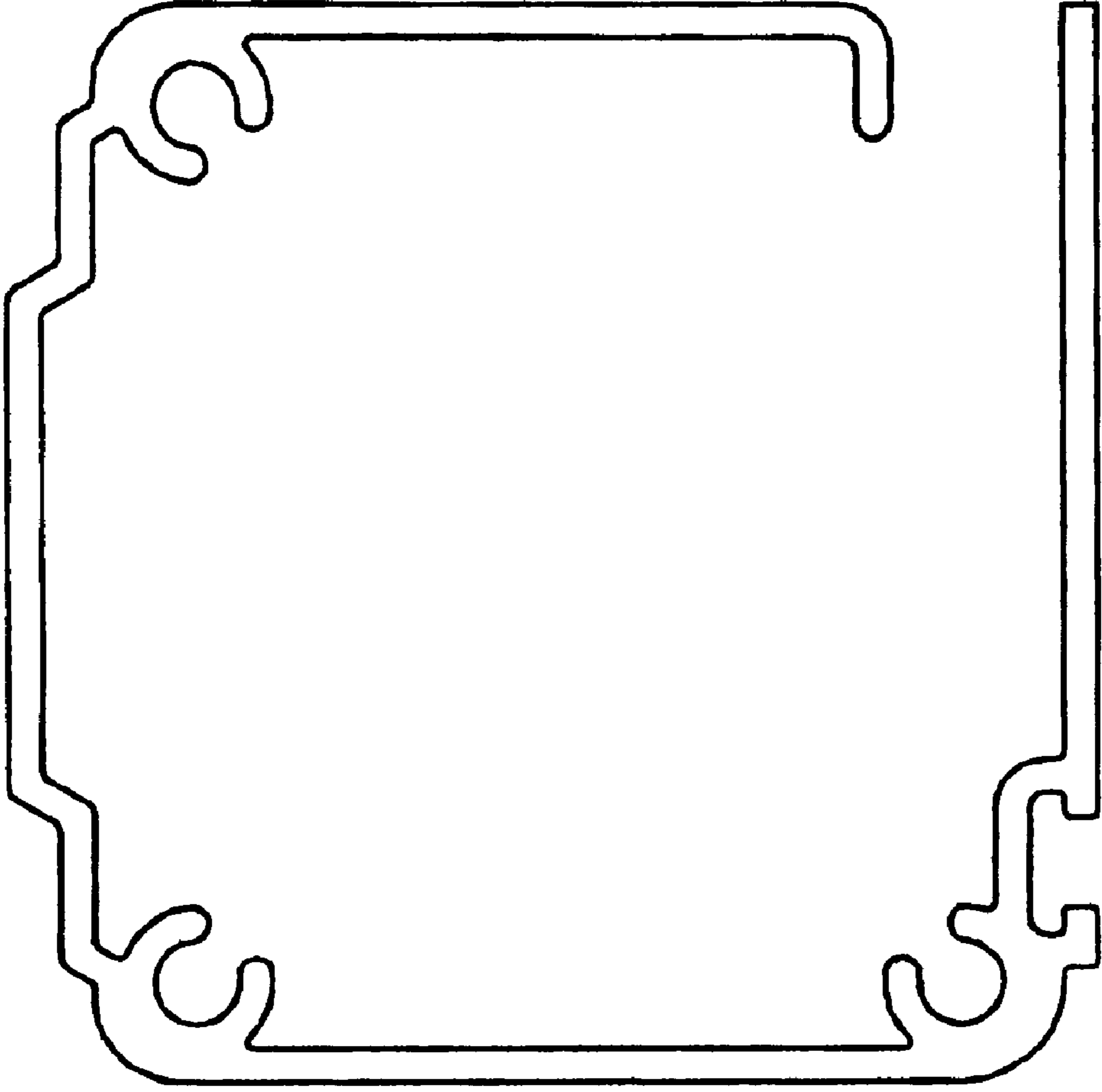


FIGURE 2