

US00D494399S1

(12) **United States Design Patent**
Rodriguez

(10) **Patent No.:** **US D494,399 S**

(45) **Date of Patent:** **** Aug. 17, 2004**

(54) **HAIR IRON-DRYER HOLDER**

D458,092 S * 6/2002 Rumpf D6/574 X

(76) **Inventor:** **Elwood K. Rodriguez**, 1095 Calle
Jazmin, Thousand Oaks, CA (US)
91360

* cited by examiner

Primary Examiner—Brian N. Vinson

(74) *Attorney, Agent, or Firm*—Bruce A. Jagger

(**) **Term:** **14 Years**

(57) **CLAIM**

(21) **Appl. No.:** **29/173,707**

The ornamental design for a hair iron-dryer holder, as shown and described.

(22) **Filed:** **Jan. 2, 2003**

DESCRIPTION

(51) **LOC (7) Cl.** **06-04**

FIG. 1 is an exploded perspective view of my new design of a hair iron-dryer holder.

(52) **U.S. Cl.** **D6/567**

FIG. 2 is a front view thereof.

(58) **Field of Search** D6/512, 553, 567,

FIG. 3 is a rear view thereof.

D6/574; 211/13.1, 85.13, 26, 69.5, 71.01,

FIG. 4 is left end view thereof.

86.01, 87.01, 89.01, 134, 126.1, 90.01;

FIG. 5 is a right end view thereof.

206/320, 349; 248/309.1, 311.2, 312

FIG. 6 is a top view thereof; and,

(56) **References Cited**

FIG. 7 is a bottom view thereof.

U.S. PATENT DOCUMENTS

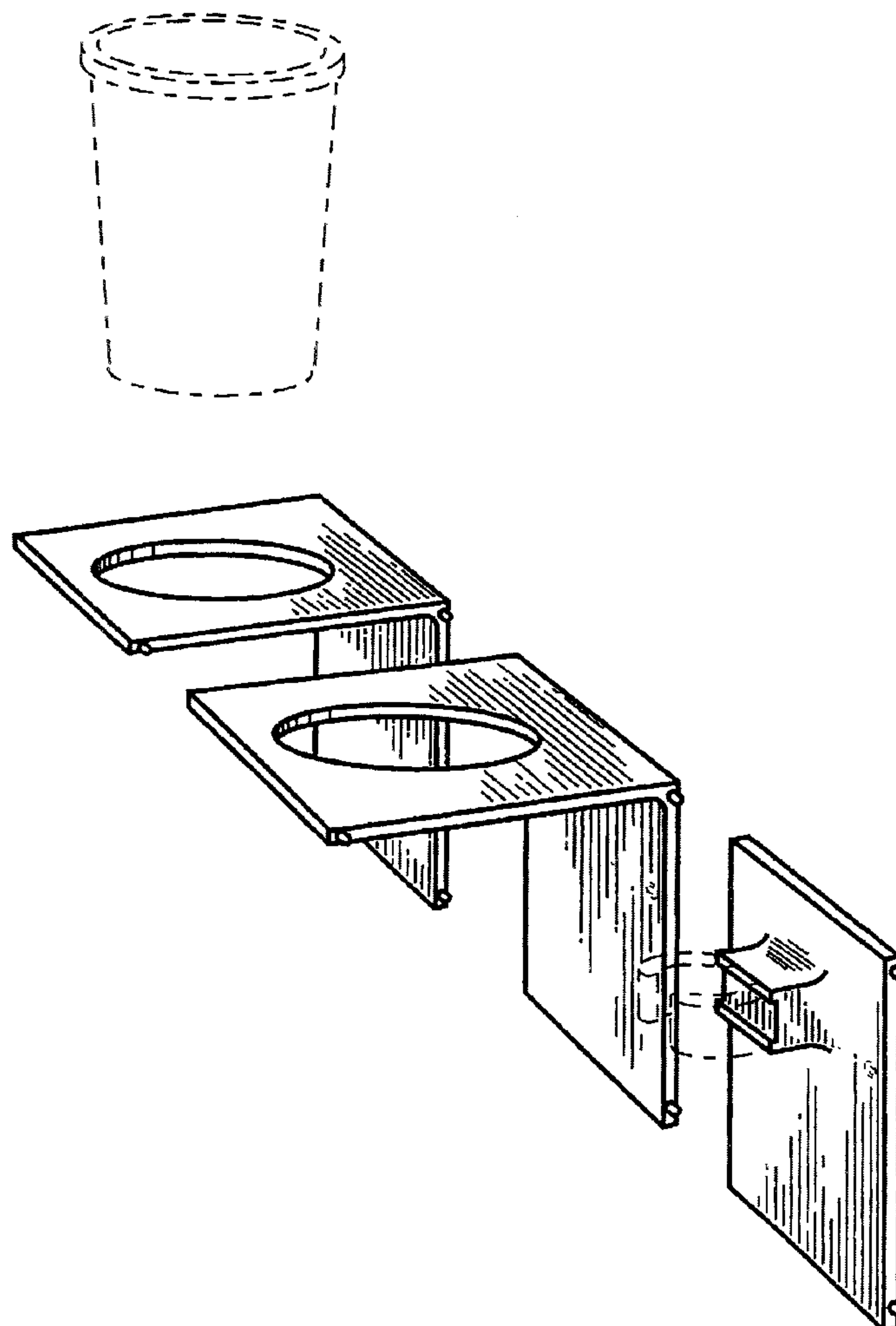
The broken-line disclosure in the views is for illustrative purposes only and forms no part of the claimed design.

D231,947 S * 6/1974 Weber D6/547 X

4,376,521 A * 3/1983 Walters 211/90.01 X

D277,149 S * 1/1985 Hind D6/574

1 Claim, 4 Drawing Sheets



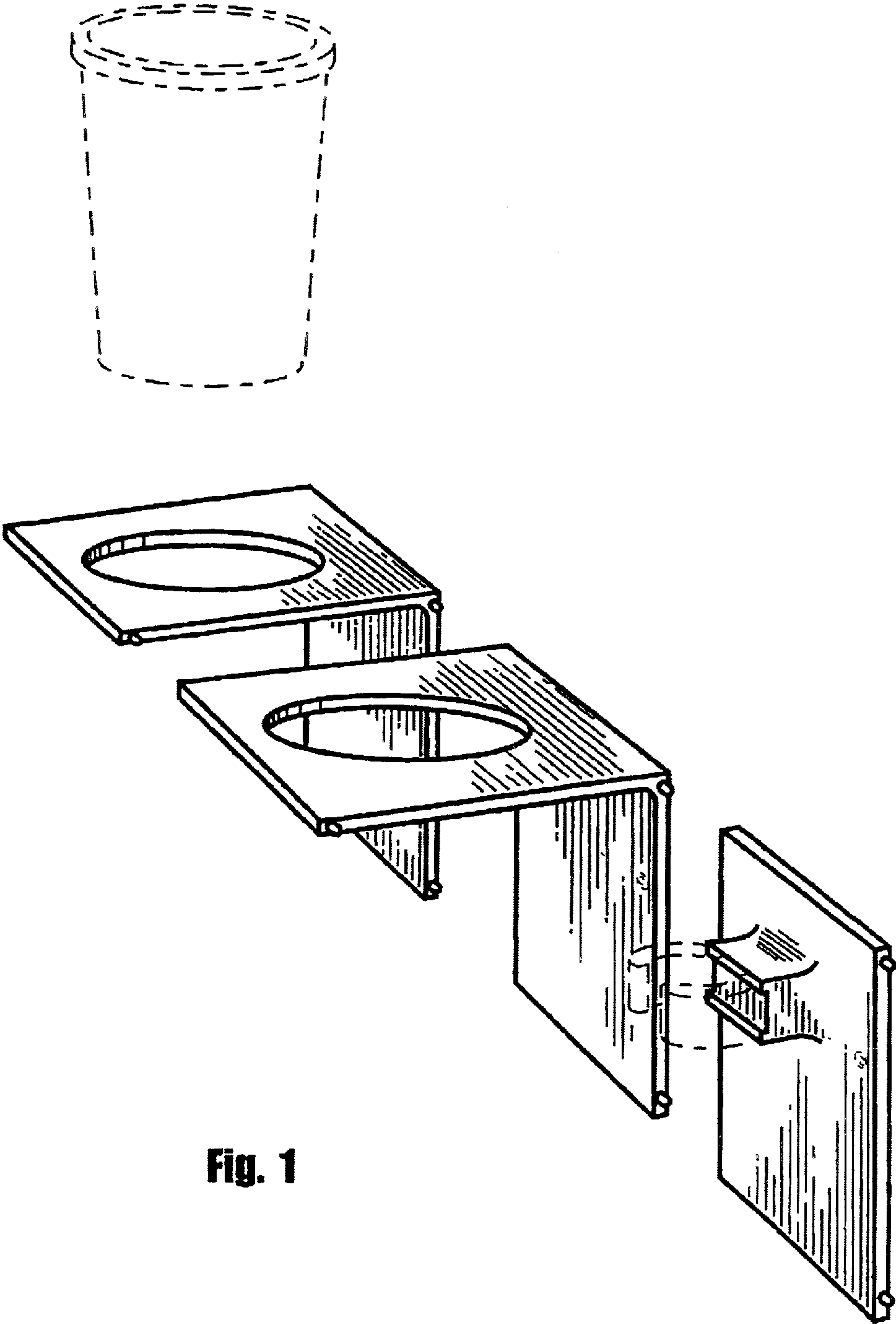


Fig. 1

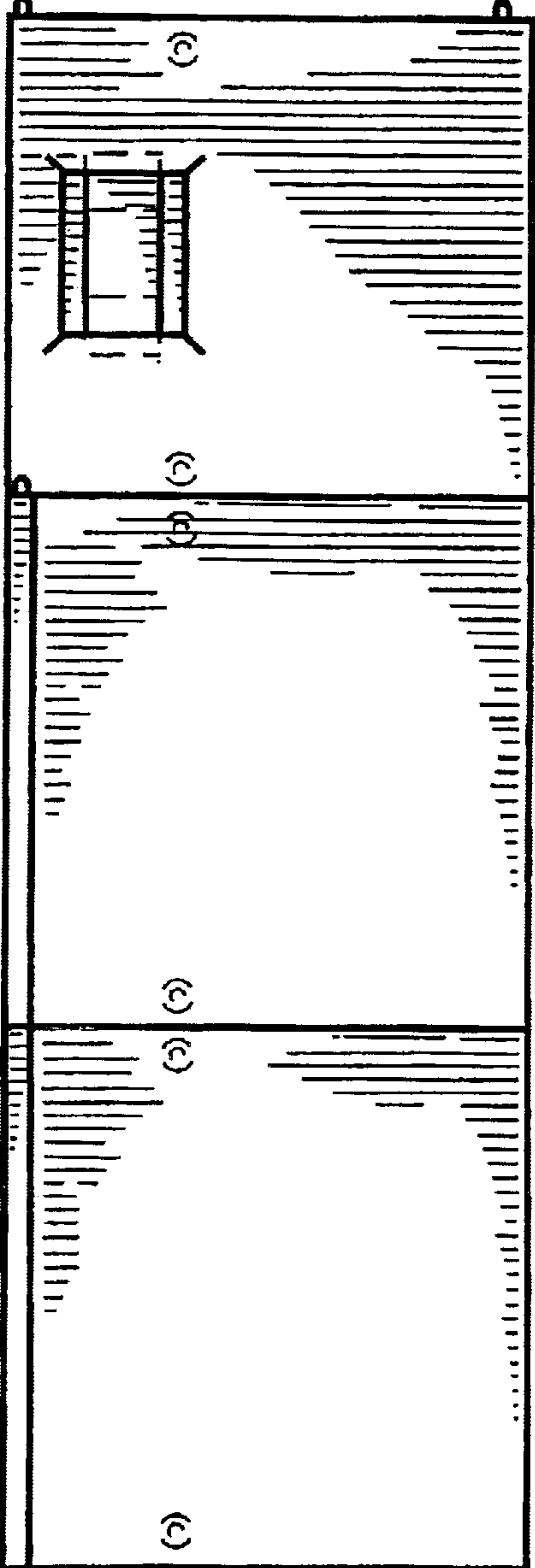


Fig. 2

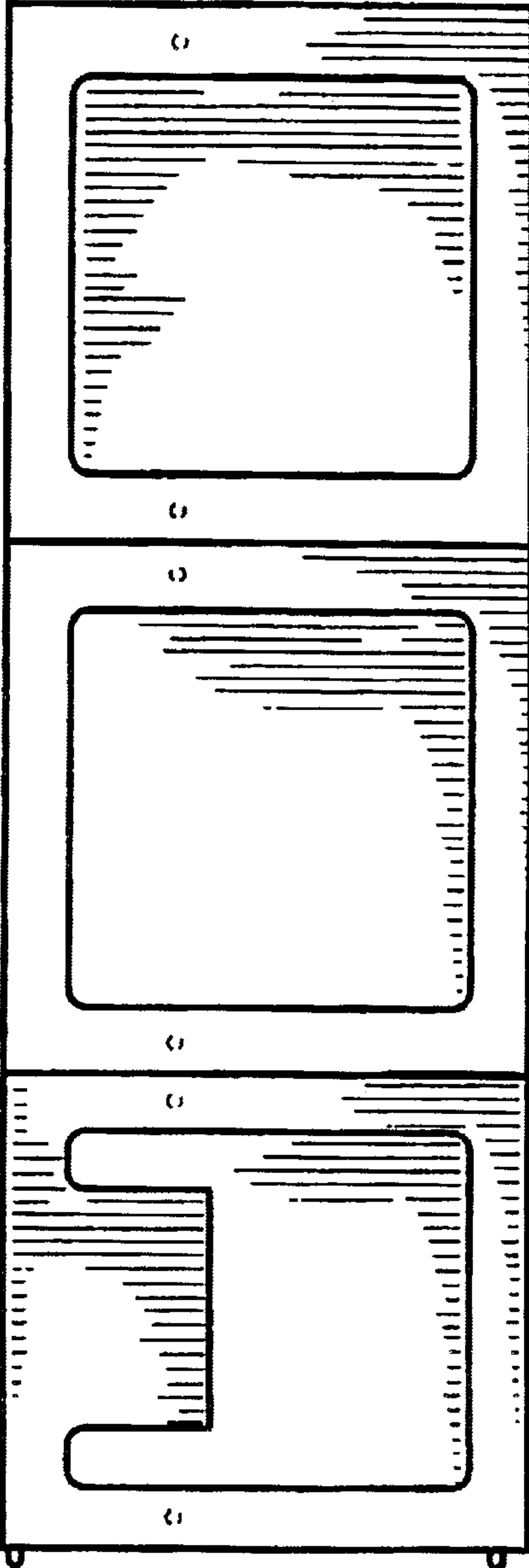


Fig. 3

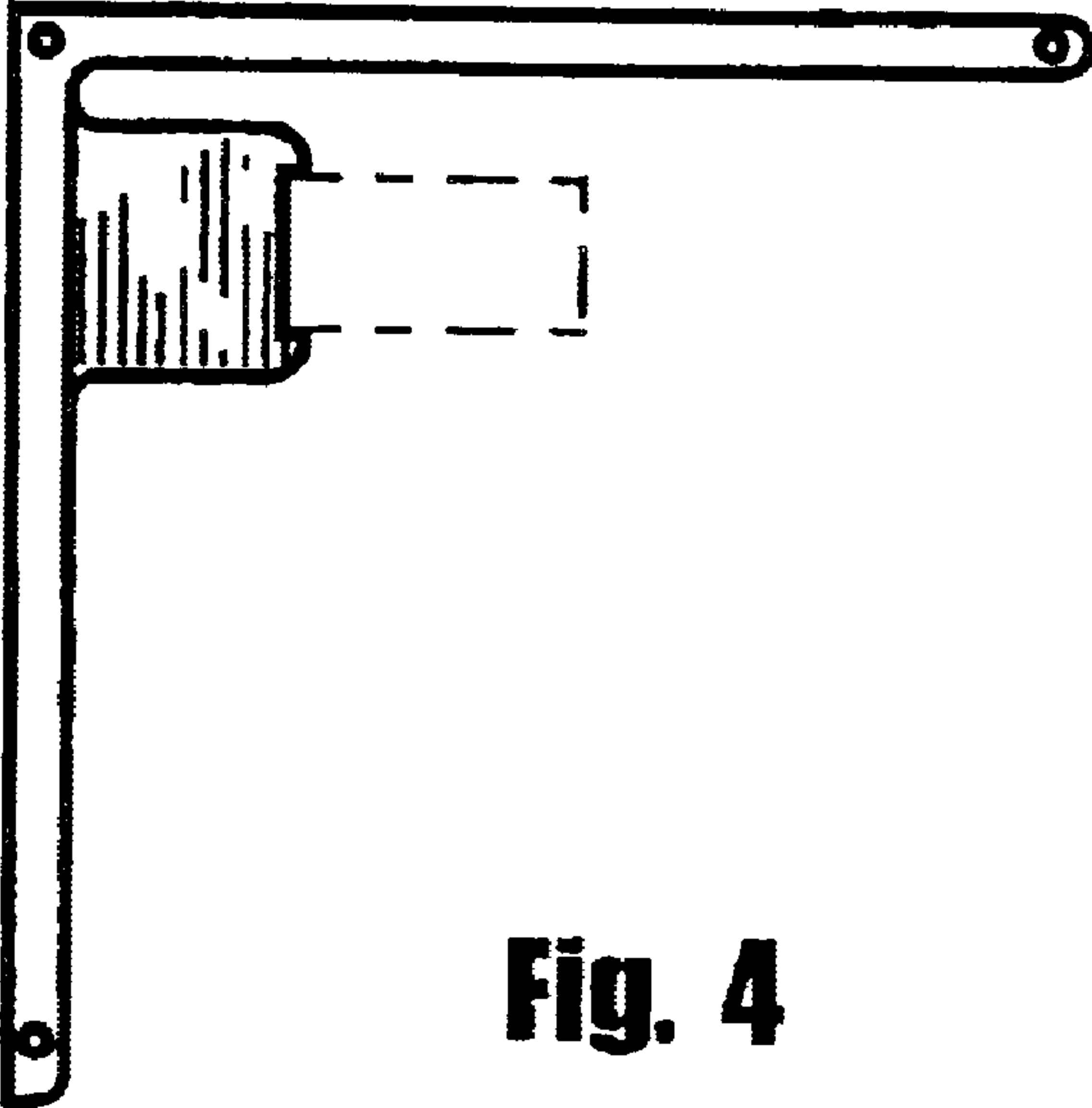


Fig. 4

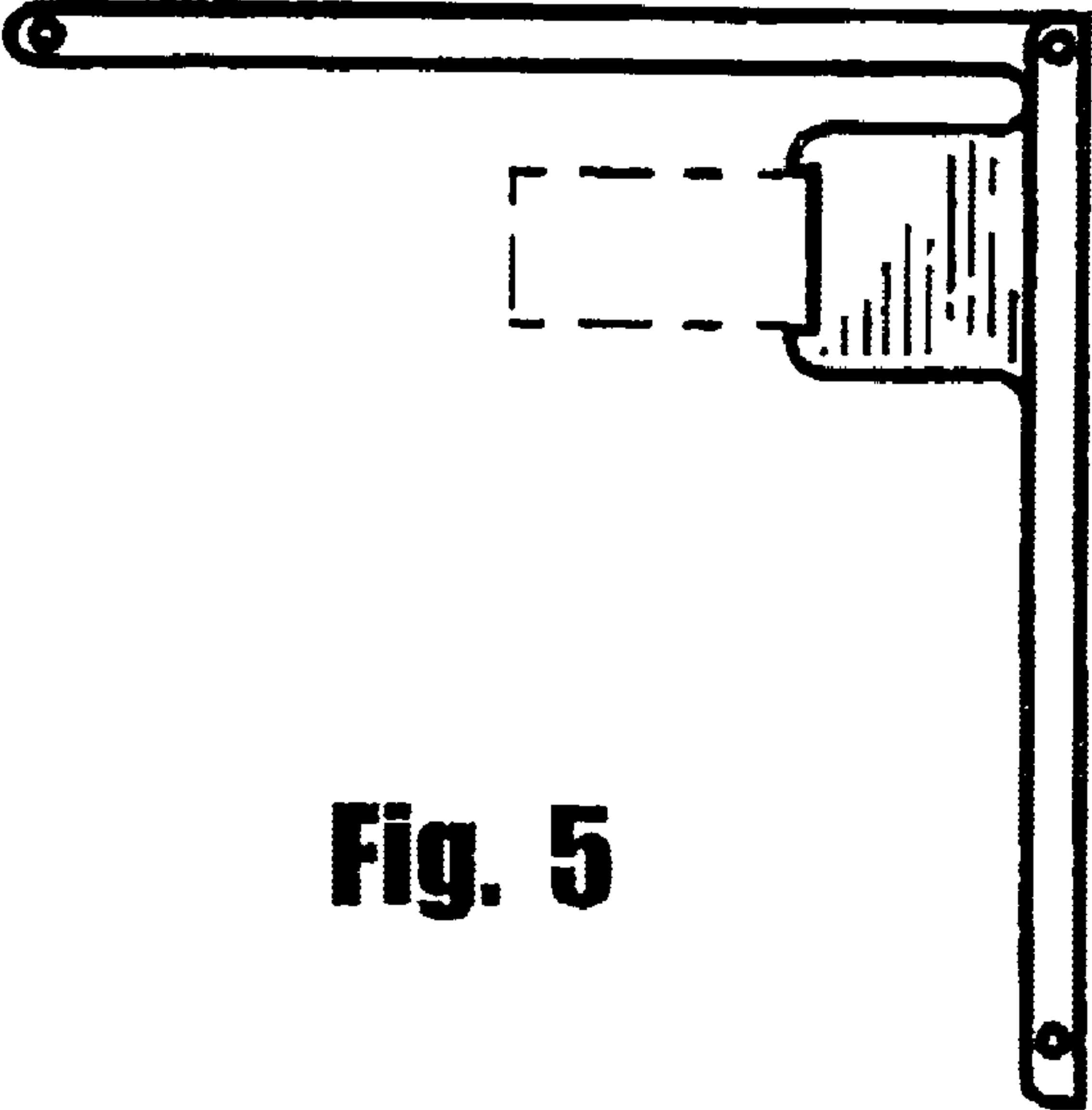


Fig. 5

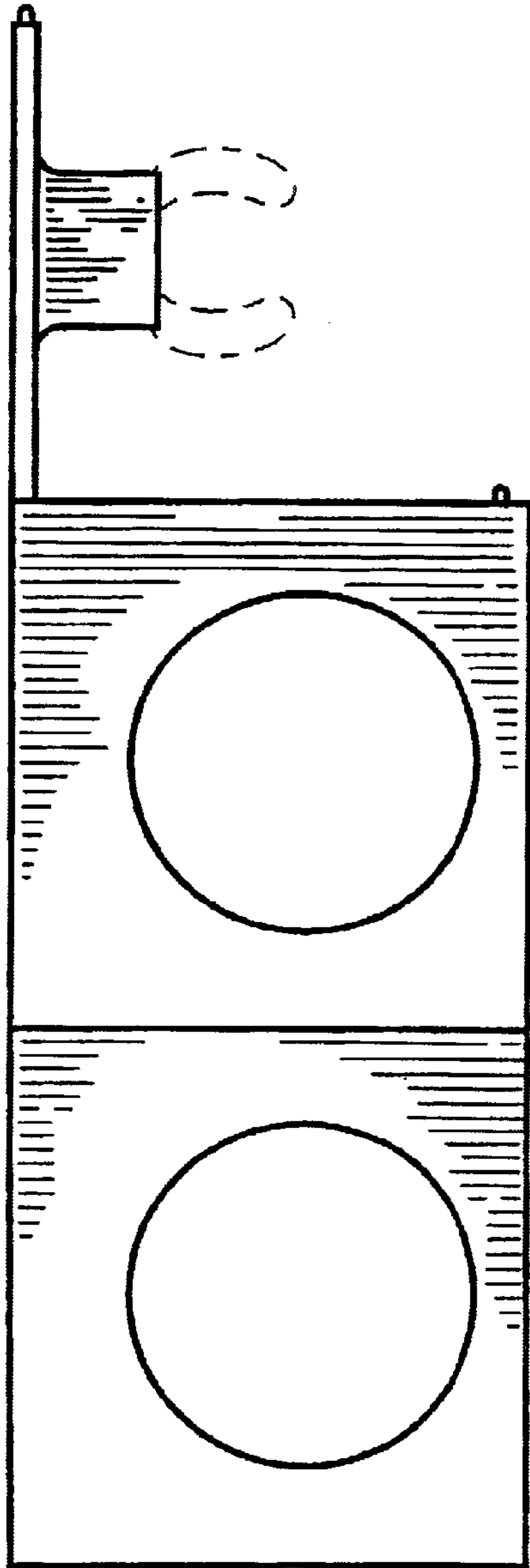


Fig. 6

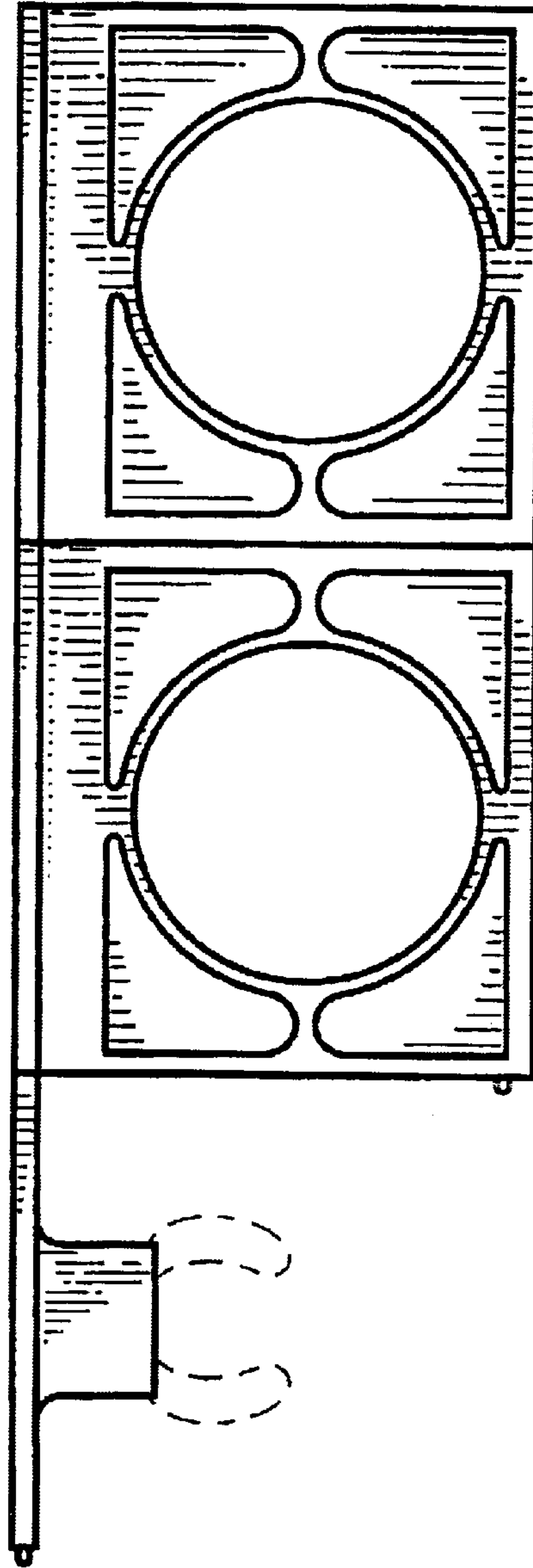


Fig. 7