



US00D494397S1

(12) **United States Design Patent**
Ayers et al.

(10) **Patent No.: US D494,397 S**
(45) **Date of Patent: ** Aug. 17, 2004**

(54) **TUMBLER HOLDER**

(75) Inventors: **Mark Edward Ayers**, Leesport, PA
(US); **Randy S. Cramer**, Lebanon, PA
(US)

(73) Assignee: **Newfrey LLC**, Newark, DE (US)

(**) Term: **14 Years**

(21) Appl. No.: **29/190,668**

(22) Filed: **Sep. 24, 2003**

(51) **LOC (7) Cl.** **23-02**

(52) **U.S. Cl.** **D6/534**

(58) **Field of Search** D6/531, 540, 524,
D6/553, 567; D29/9, 72, 138, 145; 206/426;
211/13.1, 74, 85.12, 70.7, 75, 71.01, 86.01,
87.01; 248/309.1, 311.2

(56) **References Cited**

U.S. PATENT DOCUMENTS

D283,283 S * 4/1986 Sollen D6/535
D306,689 S * 3/1990 Hamann D8/363
D371,735 S * 7/1996 Motta D8/373

D416,153 S * 11/1999 Chen D6/524
D416,730 S * 11/1999 Chen D6/540
D425,742 S * 5/2000 Duggan D6/535
D453,646 S * 2/2002 Gottwald D6/535
D456,194 S * 4/2002 Hoernig D6/535
D478,757 S * 8/2003 Hoernig D6/535

* cited by examiner

Primary Examiner—Brian N Vinson

(74) *Attorney, Agent, or Firm*—Richard J. Veltman; John D. Del Ponti

(57) **CLAIM**

The ornamental design for a tumbler holder, as shown and described.

DESCRIPTION

FIG. 1 is a perspective view of a tumbler holder showing our new design;

FIG. 2 is a top plan view thereof;

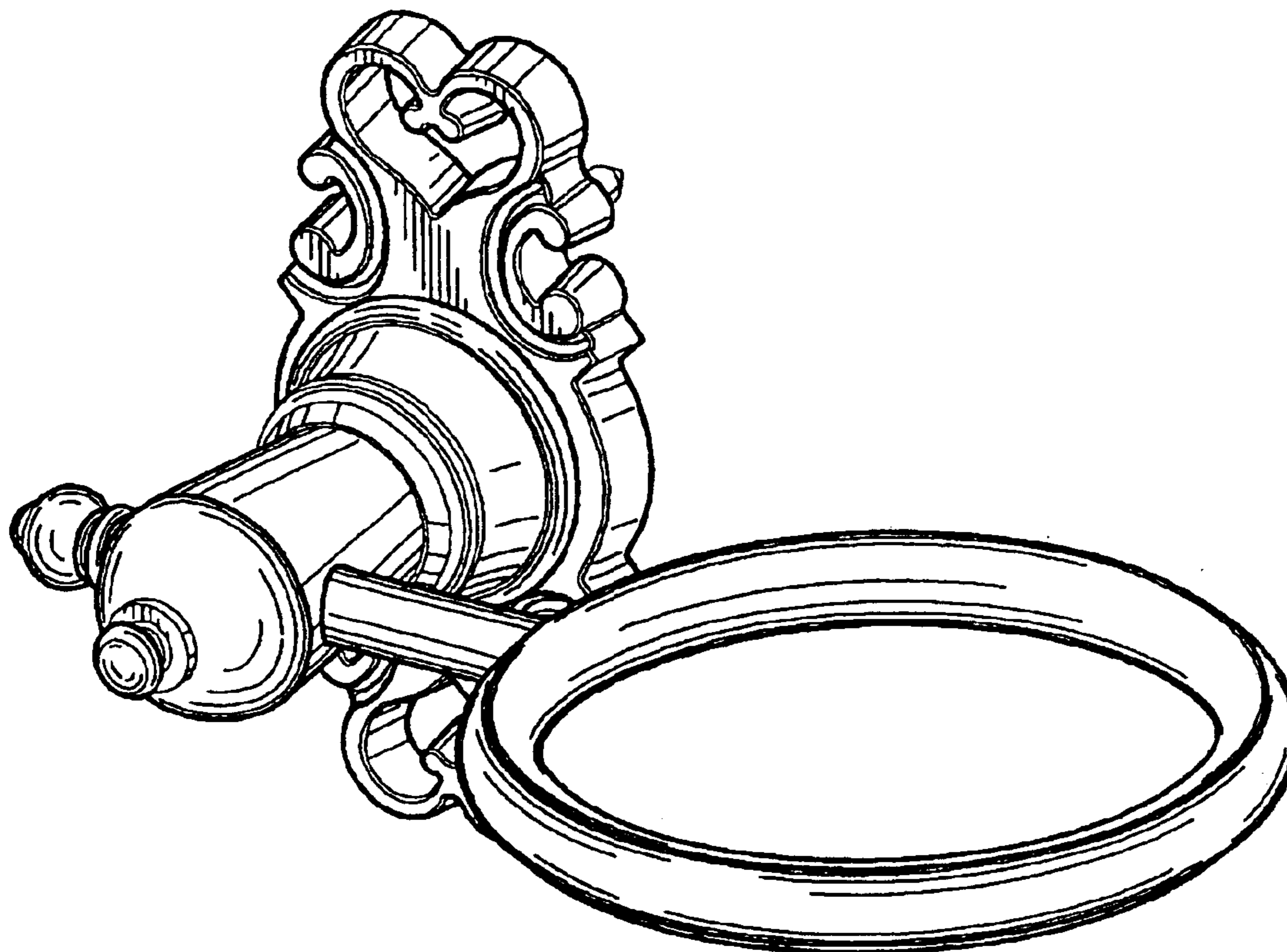
FIG. 3 is a front elevational view thereof;

FIG. 4 is a left side view thereof;

FIG. 5 is a bottom plan view thereof; and,

FIG. 6 is a right side view thereof.

1 Claim, 3 Drawing Sheets



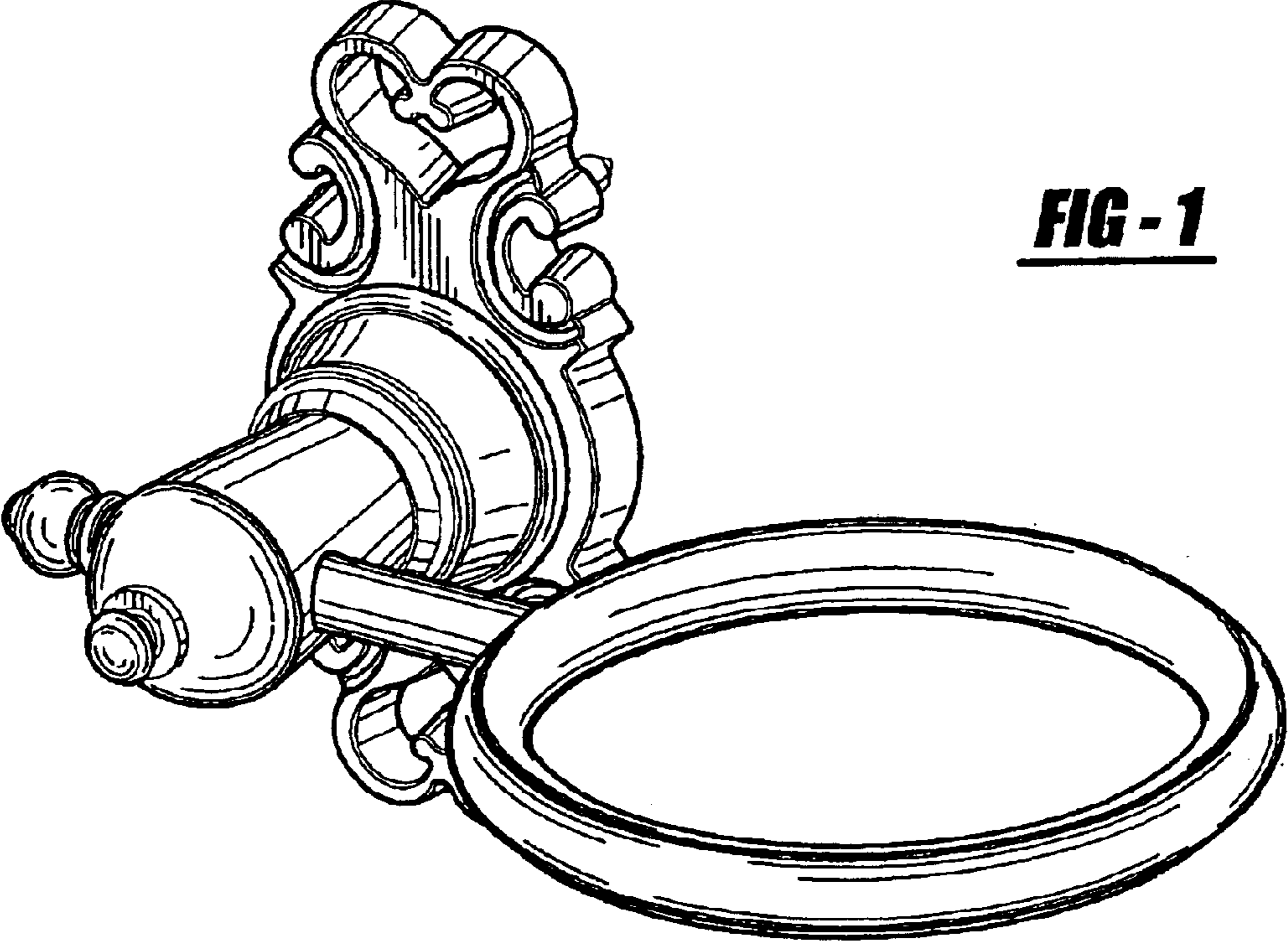


FIG - 1

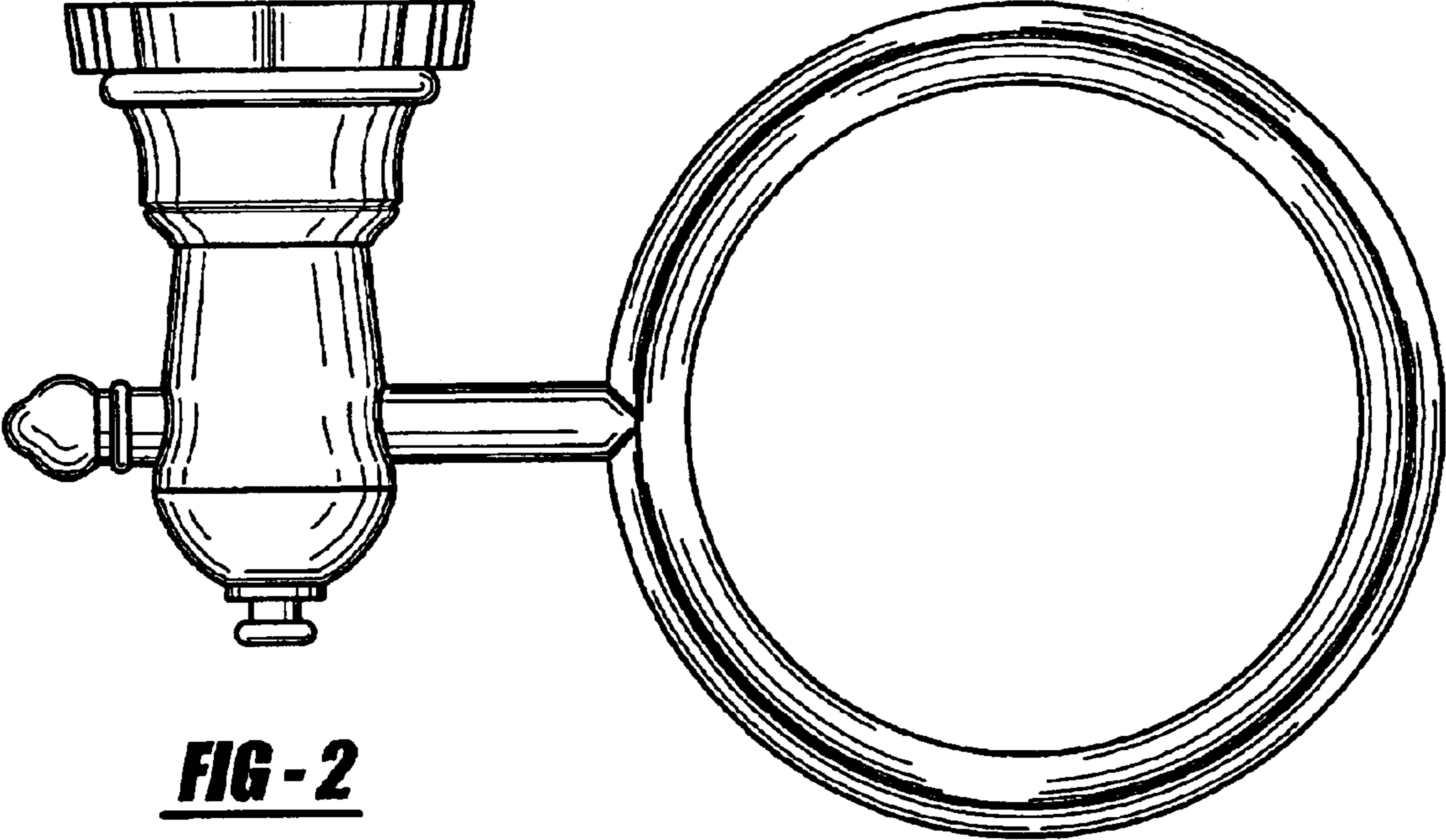


FIG - 2

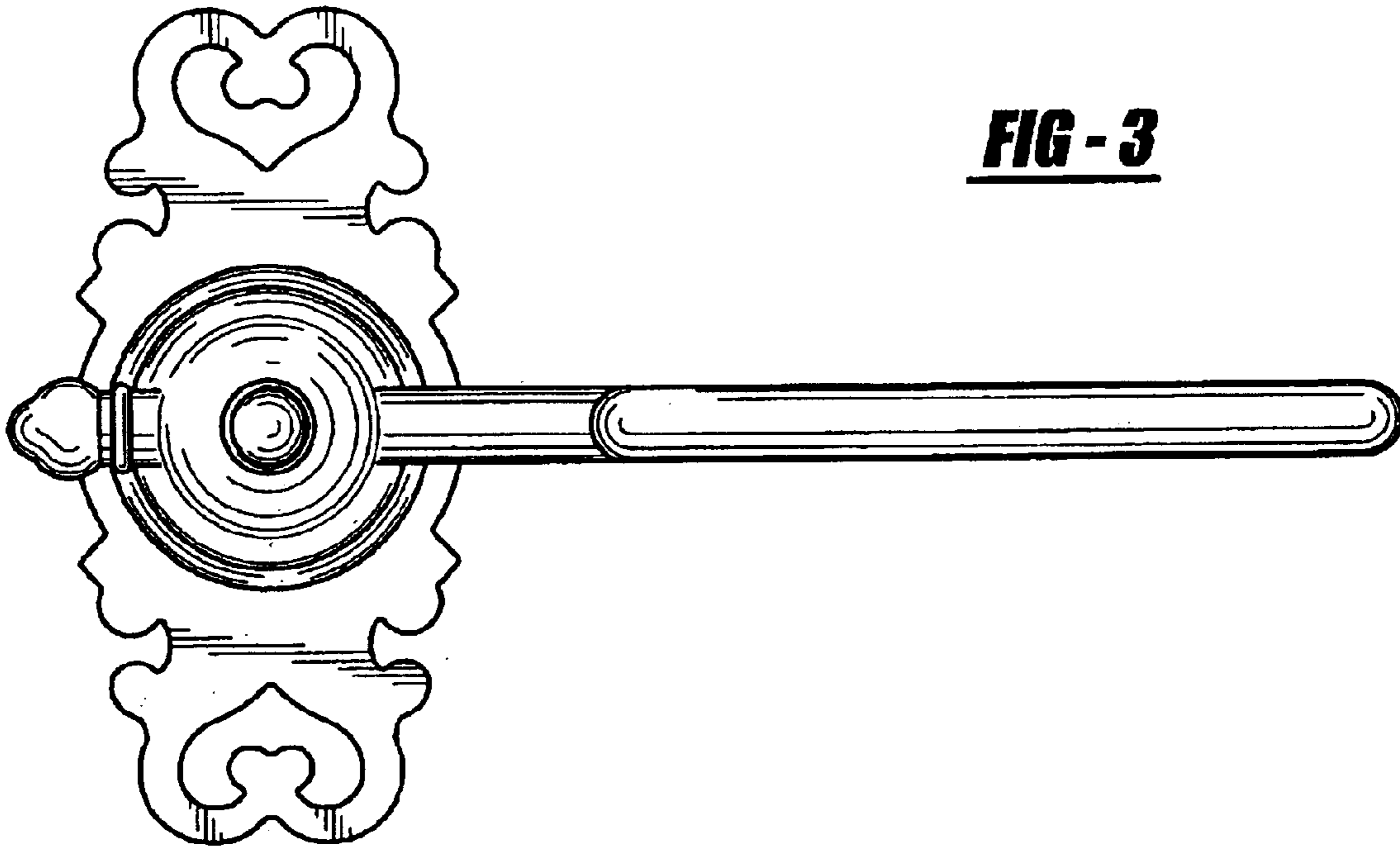


FIG - 3

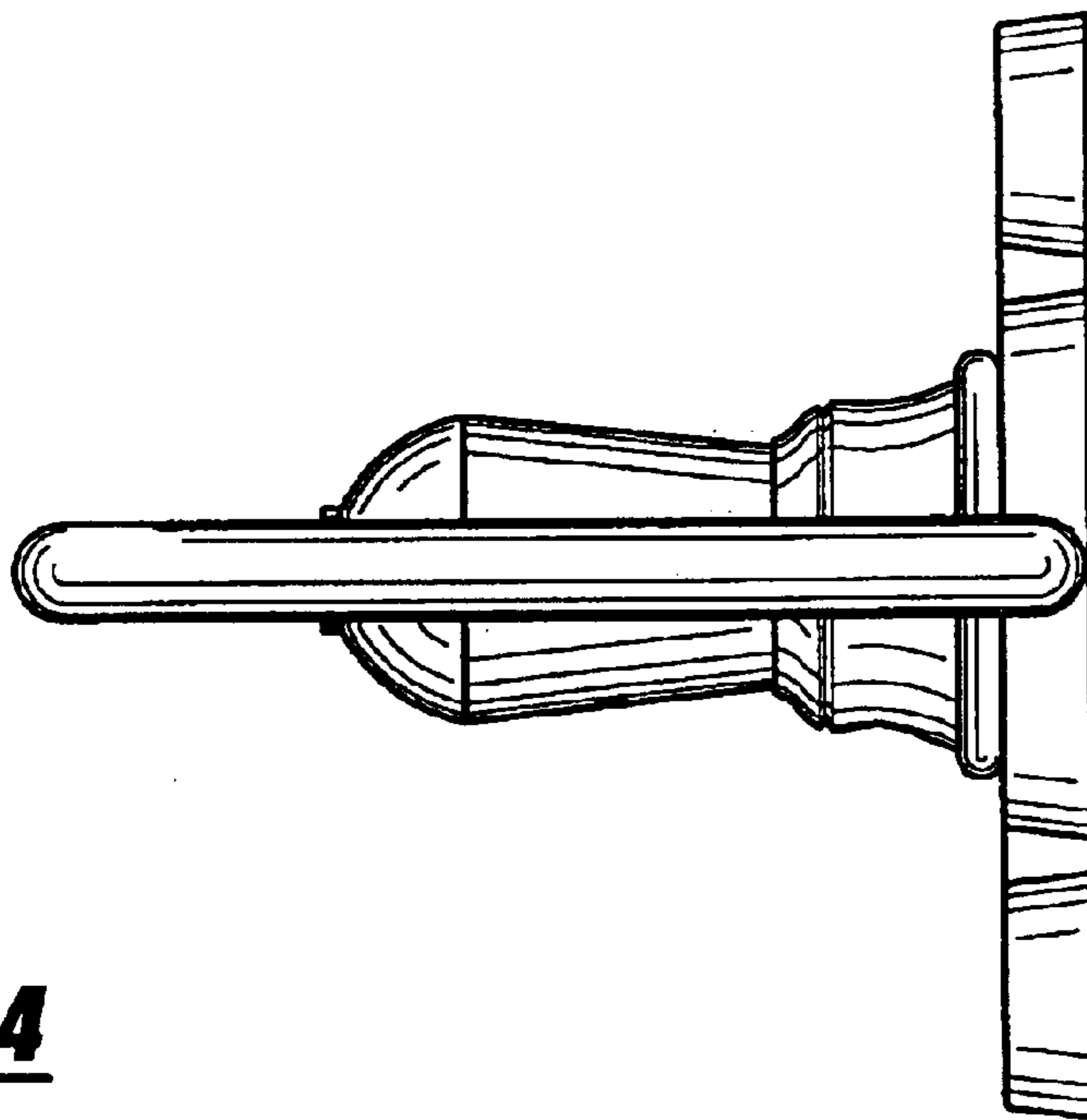


FIG - 4

FIG - 5

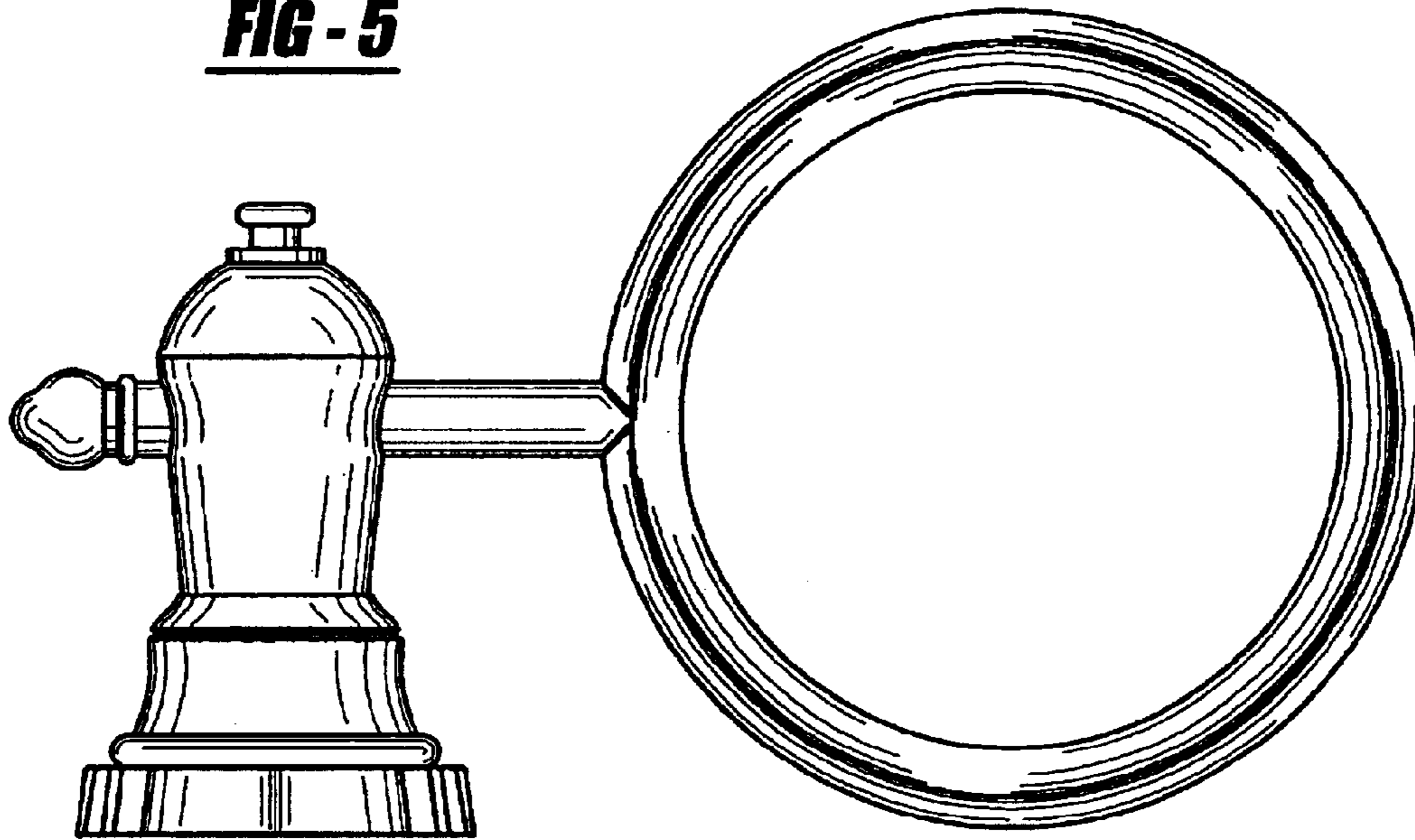


FIG - 6

